



## Description

The 5PB11xx is a high-performance LVCMOS clock buffer family of devices. It has an additive phase jitter of 50fs RMS.

There are five different fan-out variations available: 1:2 to 1:10.

The 5PB11xx supports a synchronous glitch-free output enable (OE) function to eliminate any potential intermediate incorrect output clock cycles when enabling or disabling outputs. It can operate from a 1.8V to 3.3V supply.

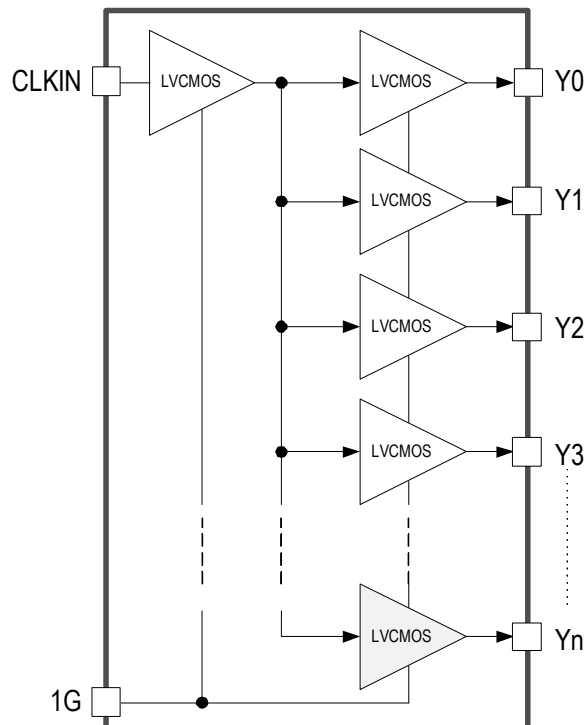
## Typical Applications

- Industrial applications
- Automotive:
  - Radar, Lidar, and other applications

## Features

- High-performance 1:2, 1:4, 1:6, 1:8, 1:10 LVCMOS clock buffer
- Very low pin-to-pin skew: < 50ps
- Very low additive jitter: < 50fs
- Supply voltage: 1.8V to 3.3V
- 3.3V tolerant input clock
- $f_{MAX} = 200\text{MHz}$
- Integrated serial termination for 50Ω channel
- Packaged in 8-, 14-, 16-, 20-pin TSSOP and as small as 2.0 × 2.0 mm DFN and 3.0 × 3.0 mm VFQFPN packages
- Industrial (-40°C to +85°C) and extended (-40°C to +105°C) temperature ranges
- 5PB1104 available in AEC-Q100 qualified, Automotive Grade 1 (-40°C to +125°C)
- 5PB1110 available in AEC-Q100 qualified, Automotive Grade 2 (-40°C to +105°C)

## Block Diagram



# Contents

Description . . . . .	1
Typical Applications . . . . .	1
Features . . . . .	1
Block Diagram . . . . .	1
Pin Assignments – TSSOP Packages . . . . .	3
Pin Descriptions – TSSOP Packages . . . . .	3
Pin Assignments – DFN/VFQFPN Packages . . . . .	4
Pin Descriptions – DFN/VFQFPN Packages . . . . .	4
Output Logic Table . . . . .	5
Absolute Maximum Ratings . . . . .	5
Recommended Operating Conditions . . . . .	5
Thermal Characteristics . . . . .	6
DC Electrical Characteristics . . . . .	7
AC Electrical Characteristics . . . . .	13
Phase Noise Plots . . . . .	19
Test Load and Circuit . . . . .	20
Package Outline Drawings . . . . .	20
Marking Diagrams (Industrial) . . . . .	20
Marking Diagrams (Extended) . . . . .	21
Marking Diagrams (Automotive) . . . . .	21
Ordering Information (Industrial) . . . . .	22
Ordering Information (Extended) . . . . .	23
Ordering Information (Automotive) . . . . .	23
Ordering Information (Special Material Request) . . . . .	24
Revision History . . . . .	24

## Pin Assignments – TSSOP Packages

**Figure 1. Pin Assignments for TSSOP Packages**

CLKIN	1	8	Y1	CLKIN	1	14	Y1	CLKIN	1	20	Y1
1G	2	7	NC	1G	2	13	Y3	1G	2	19	Y3
Y0	3	6	VDD	Y0	3	12	VDD	Y0	3	18	VDD
GND	4	5	NC	GND	4	11	Y2	GND	4	17	Y2
				VDD	5	10	GND	VDD	5	16	GND
				Y4	6	9	Y5	Y4	6	15	Y5
				GND	7	8	VDD	GND	7	14	VDD
								Y6	8	13	Y7
CLKIN	1	8	Y1	CLKIN	1	16	Y1	VDD	9	12	Y8
1G	2	7	Y3	1G	2	15	Y3	Y9	10	11	GND
Y0	3	6	VDD	Y0	3	14	VDD				
GND	4	5	Y2	GND	4	13	Y2				
				VDD	5	12	GND				
				Y4	6	11	Y5				
				GND	7	10	VDD				
				Y6	8	9	Y7				

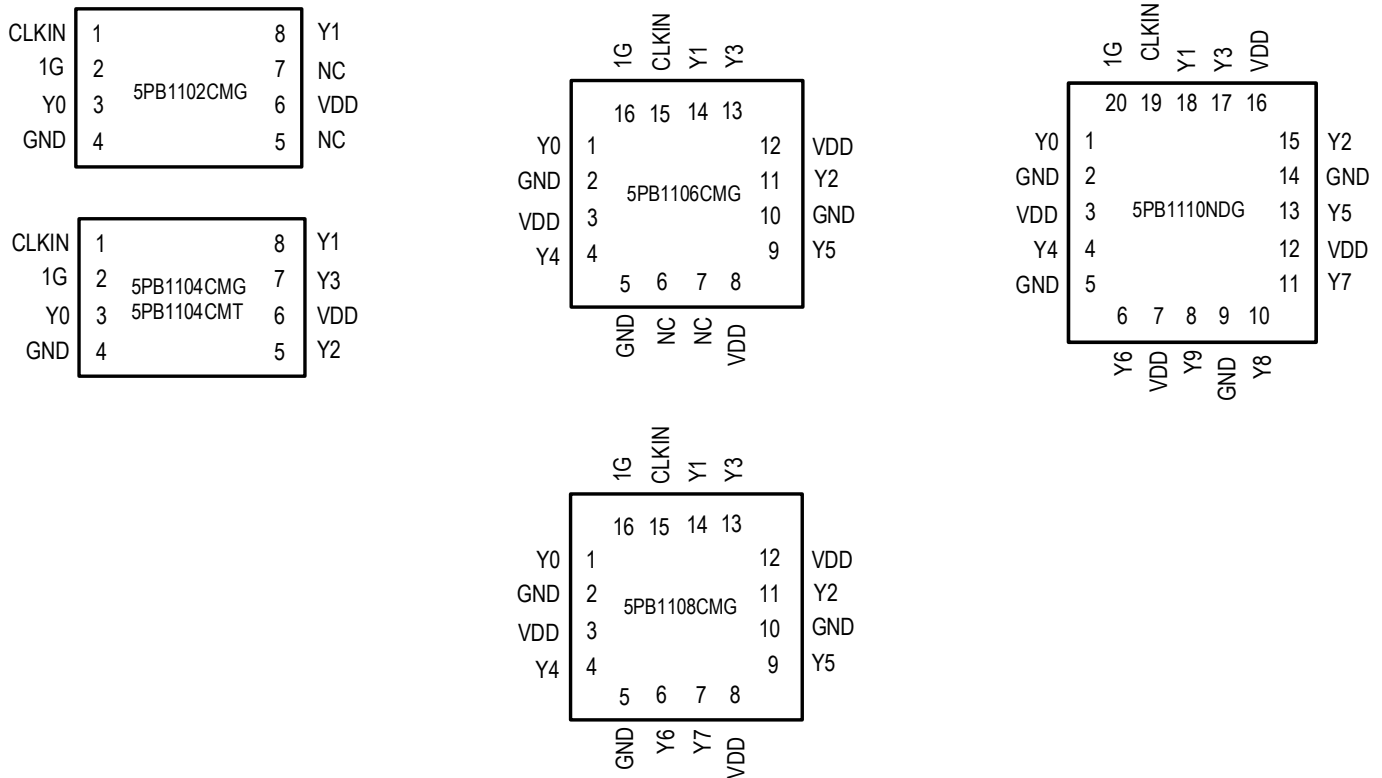
## Pin Descriptions – TSSOP Packages

**Table 1. Pin Descriptions for TSSOP Packages**

Device Number	LVC MOS Clock Input	Clock Output Enable	LVC MOS Clock Output	Supply Voltage	Ground
	CLKIN	1G	Y0, Y1, ... Y9	V <sub>DD</sub>	GND
5PB1102PGG	1	2	3, 8	6	4
5PB1104PGG	1	2	3, 8, 5, 7	6	4
5PB1106PGG	1	2	3, 14, 11, 13, 6, 9	5, 8, 12	4, 7, 10
5PB1108PGG	1	2	3, 16, 13, 15, 6, 11, 8, 9	5, 10, 14	4, 7, 12
5PB1110PGG	1	2	3, 20, 17, 19, 6, 15, 8, 13, 12, 10	5, 9, 14, 18	4, 7, 11, 16

## Pin Assignments – DFN/VFQFPN Packages

**Figure 2. Pin Assignments for DFN/QFN Packages**



## Pin Descriptions – DFN/VFQFPN Packages

**Table 2. Pin Descriptions for DFN/VFQFPN Packages**

Device Number	LVC MOS Clock Input	Clock Output Enable	LVC MOS Clock Output	Supply Voltage	Ground
	CLKIN	1G	Y0, Y1, ... Y9	V <sub>DD</sub>	GND
5PB1102CMG	1	2	3, 8	6	4
5PB1104CMG 5PB1104CMT	1	2	3, 5, 7, 8	6	4
5PB1106CMG	15	16	1, 4, 9, 11, 13, 14	3, 8, 12	2, 5, 10
5PB1108CMG	15	16	1, 4, 6, 7, 9, 11, 13, 14	3, 8, 12	2, 5, 10
5PB1110NDG	19	20	1, 4, 6, 8, 10, 11, 13, 15, 17, 18	3, 7, 12, 16	2, 5, 9, 14

## Output Logic Table

Inputs		Output
CLKIN	1G	Yn
X	L	L
L	H	L
H	H	H

After at least three cycles of input clock toggling. Output Enable function is asynchronous to eliminate any intermediate incorrect output clock cycles during transition which may cause frequency peaking to the downstream device.

## Absolute Maximum Ratings

The absolute maximum ratings are stress ratings only. Stresses greater than those listed below can cause permanent damage to the device. Functional operation of the 5PB11xx at absolute maximum ratings is not implied. Exposure to absolute maximum rating conditions may affect device reliability.

**Table 3. Absolute Maximum Ratings**

Item	Rating
Supply Voltage, $V_{DD}$	3.8V
Output Enable and All Outputs	-0.4 V to $V_{DD} + 0.5$ V
Input Voltage, CLKIN	-0.4 V to 3.465V
Ambient Operating Temperature (Industrial)	-40 to +85°C
Ambient Operating Temperature (Extended and Automotive Grade 2)	-40 to +105°C
Ambient Operating Temperature (Automotive Grade 1)	-40 to +125°C
Storage Temperature	-65 to +150°C
Junction Temperature	125°C
Soldering Temperature	260°C

## Recommended Operating Conditions

**Table 4. Recommended Operating Conditions**

Parameter	Minimum	Typical	Maximum	Unit
Ambient Operating Temperature (Industrial)	-40	-	+85	°C
Ambient Operating Temperature (Extended and Automotive Grade 2)	-40	-	+105	
Ambient Operating Temperature (Automotive Grade 1)	-40	-	+125	
Power Supply Voltage (measured in respect to GND)	+1.71	-	+3.465	V

## Thermal Characteristics

**Table 5. Thermal Characteristics**

Package	Applies to	$\theta_{JA}$	$\theta_{JC}$	$\theta_{JB}$	Unit
8-TSSOP	5PB1102PGG, 5PB1104PGG	122.0	58.2	139.3	°C/W; still air
14-TSSOP	5PB1106PGG	84.5	44.2	64.5	°C/W; still air
16-TSSOP	5PB1108PGG	80.9	43.3	60.1	°C/W; still air
20-TSSOP	5PB1110PGG	72.5	37.9	49.8	°C/W; still air
8-DFN	5PB1102CMG, 5PB1104CMG 5PB1104CMT	120.2	99.4	63.3	°C/W; still air
16-VFQFPN	5PB1106CMG, 5PB1108CMG	115.6	83.1	61.8	°C/W; still air
20-VFQFPN	5PB1110NDG	49.6	94.7	5.1	°C/W; still air

## DC Electrical Characteristics

$V_{DD} = 1.8V, 2.5V, \text{ or } 3.3V$  (see tables below)

**Table 6. DC Electrical Characteristics –  $V_{DD} = 1.8V \pm 5\%$ , Industrial and Extended**

Symbol	Parameter	Applies to	Conditions	Minimum	Typical	Maximum	Unit
$V_{DD}$	Operating Voltage	Industrial and Extended <sup>[2]</sup>		1.71	1.8	1.89	V
$V_{IH}$	Input High Voltage, CLKIN <sup>[1]</sup>		$0.7 \times V_{DD}$	-	-	V	
$V_{IL}$	Input Low Voltage, CLKIN <sup>[1]</sup>		-	-	$0.3 \times V_{DD}$	V	
$V_{IH}$	Input High Voltage, 1G		1.6	-	$V_{DD}$	V	
$V_{IL}$	Input Low Voltage, 1G		-	-	0.6	V	
$V_{OH}$	Output High Voltage		$I_{OH} = -5mA.$	1.4	-	-	V
$V_{OL}$	Output Low Voltage		$I_{OL} = 5mA.$	-	-	0.4	V
$Z_O$	Nominal Output Impedance		-	50	-	$\Omega$	
$C_{IN}$	Input Capacitance		CLKIN, 1G pin.	-	5	-	pF
$I_{DD}$	Operating Supply Current, 5PB1102		100MHz, no load, 25°C.	-	6	8	mA
	Operating Supply Current, 5PB1104			-	12	13	
	Operating Supply Current, 5PB1106			-	15	18	
	Operating Supply Current, 5PB1108			-	20	23	
	Operating Supply Current, 5PB1110			-	23	27	
$I_{IH}$	Input High Leakage	$V_{IN} = V_{DD}$	-	-	5	$\mu A$	
$I_{IL}$	Input Low Leakage	$V_{IN} = 0V$	-	-	5	$\mu A$	

<sup>[1]</sup> Nominal switching threshold is  $V_{DD}/2$ .

<sup>[2]</sup> 5PB11xxPGGI, 5PB11xxPGGK, 5PB11xxCMGI, 5PB11xxCMGK.  $T_A = -40^\circ C$  to  $+105^\circ C$  unless stated otherwise.

**Table 7. DC Electrical Characteristics –  $V_{DD} = 1.8V \pm 5\%$ , Automotive**

Symbol	Parameter	Applies to	Conditions	Minimum	Typical	Maximum	Unit
$V_{DD}$	Operating Voltage	Automotive [2][3]		1.71	1.8	1.89	V
$V_{IH}$	Input High Voltage, CLKIN [1]		$0.7 \times V_{DD}$	-	-	V	
$V_{IL}$	Input Low Voltage, CLKIN [1]		-	-	$0.3 \times V_{DD}$	V	
$V_{IH}$	Input High Voltage, 1G		1.6	-	$V_{DD}$	V	
$V_{IL}$	Input Low Voltage, 1G		-	-	0.6	V	
$V_{OH}$	Output High Voltage		$I_{OH} = -5mA.$	1.2	-	-	V
$V_{OL}$	Output Low Voltage		$I_{OL} = 5mA.$	-	-	0.45	V
$Z_O$	Nominal Output Impedance			-	50	-	$\Omega$
$C_{IN}$	Input Capacitance		CLKIN, 1G pin.	-	5	-	pF
$I_{DD}$	Operating Supply Current	5PB1104 [2]	0.001MHz, $C_L = 5pF.$	-	0.7	1	mA
			0.008MHz, $C_L = 5pF.$	-	0.7	1	
			40MHz, $C_L = 5pF.$	-	11	13	
			100MHz, $C_L = 5pF.$	-	25	30	
			156.25MHz, $C_L = 5pF.$	-	37	47	
			200MHz, $C_L = 5pF.$	-	39	57	
$I_{DD}$	Operating Supply Current	5PB1110 [3]	0.001MHz, $C_L = 5pF.$	-	4.1	6.7	mA
			0.008MHz, $C_L = 5pF.$	-	4.2	6.7	
			40MHz, $C_L = 5pF.$	-	30	45	
			100MHz, $C_L = 5pF.$	-	65	82	
			156.25MHz, $C_L = 5pF.$	-	91	123	
			200MHz, $C_L = 5pF.$	-	96	137	
$I_{IH}$	Input High Leakage	Automotive [2][3]	$V_{IN} = V_{DD}$	-	-	5	$\mu A$
$I_{IL}$	Input Low Leakage		$V_{IN} = 0V$	-	-	5	$\mu A$

[1] Nominal switching threshold is  $V_{DD}/2$ .

[2] 5PB1104CMG1 and 5PB1104CMT1  $T_A = -40^\circ C$  to  $+125^\circ C$  unless stated otherwise.

[3] 5PB1110NDG2  $T_A = -40^\circ C$  to  $+105^\circ C$  unless stated otherwise.

**Table 8. DC Electrical Characteristics –  $V_{DD} = 2.5V \pm 5\%$ , Industrial and Extended**

Symbol	Parameter	Applies to	Conditions	Minimum	Typical	Maximum	Unit
$V_{DD}$	Operating Voltage	Industrial and Extended <sup>[2]</sup>		2.375	2.5	2.625	V
$V_{IH}$	Input High Voltage, CLKIN <sup>[1]</sup>		$0.7 \times V_{DD}$	-	-	V	
$V_{IL}$	Input Low Voltage, CLKIN <sup>[1]</sup>		-	-	$0.3 \times V_{DD}$	V	
$V_{IH}$	Input High Voltage, 1G		1.8	-	$V_{DD}$	V	
$V_{IL}$	Input Low Voltage, 1G		-	-	0.7	V	
$V_{OH}$	Output High Voltage		$I_{OH} = -8mA.$	1.9	-	-	V
$V_{OL}$	Output Low Voltage		$I_{OL} = 8mA.$	-	-	0.5	V
$Z_O$	Nominal Output Impedance		-	50	-	$\Omega$	
$C_{IN}$	Input Capacitance		CLKIN, 1G pin.	-	5	-	pF
$I_{DD}$	Operating Supply Current, 5PB1102		100MHz, no load, 25°C.	-	9	11	mA
	Operating Supply Current, 5PB1104			-	15	18	
	Operating Supply Current, 5PB1106			-	21	24	
	Operating Supply Current, 5PB1108			-	27	31	
	Operating Supply Current, 5PB1110			-	32	37	
$I_{IH}$	Input High Leakage	$V_{IN} = V_{DD}$	-	-	5	$\mu A$	
$I_{IL}$	Input Low Leakage	$V_{IN} = 0V$	-	-	5	$\mu A$	

<sup>[1]</sup> Nominal switching threshold is  $V_{DD}/2$ .

<sup>[2]</sup> 5PB11xxPGGI, 5PB11xxPGGK, 5PB11xxCMGI, 5PB11xxCMGK.  $T_A = -40^\circ C$  to  $+105^\circ C$  unless stated otherwise.

**Table 9. DC Electrical Characteristics –  $V_{DD} = 2.5V \pm 5\%$ , Automotive**

Symbol	Parameter	Applies to	Conditions	Minimum	Typical	Maximum	Unit
$V_{DD}$	Operating Voltage	Automotive [2][3]		2.375	2.5	2.625	V
$V_{IH}$	Input High Voltage, CLKIN [1]		$0.7 \times V_{DD}$	-	-	V	
$V_{IL}$	Input Low Voltage, CLKIN [1]		-	-	$0.3 \times V_{DD}$	V	
$V_{IH}$	Input High Voltage, 1G		1.8	-	$V_{DD}$	V	
$V_{IL}$	Input Low Voltage, 1G		-	-	0.7	V	
$V_{OH}$	Output High Voltage		$I_{OH} = -8mA.$	1.6	-	-	V
$V_{OL}$	Output Low Voltage		$I_{OL} = 8mA.$	-	-	0.625	V
$Z_O$	Nominal Output Impedance			-	50	-	$\Omega$
$C_{IN}$	Input Capacitance		CLKIN, 1G pin.	-	5	-	pF
$I_{DD}$	Operating Supply Current	5PB1104 [2]	0.001MHz, $C_L = 5pF.$	-	0.9	1.3	mA
			0.008MHz, $C_L = 5pF.$	-	0.9	1.3	
			40MHz, $C_L = 5pF.$	-	15	17	
			100MHz, $C_L = 5pF.$	-	35	42	
			156.25MHz, $C_L = 5pF.$	-	52	67	
			200MHz, $C_L = 5pF.$	-	56	80	
$I_{DD}$	Operating Supply Current	5PB1110 [3]	0.001MHz, $C_L = 5pF.$	-	5.4	8.2	mA
			0.008MHz, $C_L = 5pF.$	-	5.4	8.2	
			40MHz, $C_L = 5pF.$	-	41	61	
			100MHz, $C_L = 5pF.$	-	91	116	
			156.25MHz, $C_L = 5pF.$	-	129	169	
			200MHz, $C_L = 5pF.$	-	140	195	
$I_{IH}$	Input High Leakage	Automotive [2][3]	$V_{IN} = V_{DD}$	-	-	5	$\mu A$
$I_{IL}$	Input Low Leakage		$V_{IN} = 0V$	-	-	5	$\mu A$

[1] Nominal switching threshold is  $V_{DD}/2$ .

[2] 5PB1104CMG1 and 5PB1104CMT1  $T_A = -40^\circ C$  to  $+125^\circ C$  unless stated otherwise.

[3] 5PB1110NDG2  $T_A = -40^\circ C$  to  $+105^\circ C$  unless stated otherwise.

**Table 10. DC Electrical Characteristics –  $V_{DD} = 3.3V \pm 5\%$ , Industrial and Extended**

Symbol	Parameter	Applies to	Conditions	Minimum	Typical	Maximum	Unit
$V_{DD}$	Operating Voltage	Industrial and Extended <sup>[2]</sup>		3.135	3.3	3.465	V
$V_{IH}$	Input High Voltage, CLKIN <sup>[1]</sup>		$0.7 \times V_{DD}$	-	-	V	
$V_{IL}$	Input Low Voltage, CLKIN <sup>[1]</sup>		-	-	$0.3 \times V_{DD}$	V	
$V_{IH}$	Input High Voltage, 1G		2.0	-	$V_{DD}$	V	
$V_{IL}$	Input Low Voltage, 1G		-	-	0.8	V	
$V_{OH}$	Output High Voltage		$I_{OH} = -12mA.$	2.4	-	-	V
$V_{OL}$	Output Low Voltage		$I_{OL} = 12mA.$	-	-	0.7	V
$Z_O$	Nominal Output Impedance		-	50	-	$\Omega$	
$C_{IN}$	Input Capacitance		CLKIN, 1G pin.	-	5	-	pF
$I_{DD}$	Operating Supply Current, 5PB1102		100MHz, no load, 25°C.	-	12	13	mA
	Operating Supply Current, 5PB1104			-	20	22	
	Operating Supply Current, 5PB1106			-	25	30	
	Operating Supply Current, 5PB1108			-	35	38	
	Operating Supply Current, 5PB1110			-	40	45	
$I_{IH}$	Input High Leakage	$V_{IN} = V_{DD}$	-	-	5	$\mu A$	
$I_{IL}$	Input Low Leakage	$V_{IN} = 0V$	-	-	5	$\mu A$	

<sup>[1]</sup> Nominal switching threshold is  $V_{DD}/2$ .

<sup>[2]</sup> 5PB11xxPGGI, 5PB11xxPGGK, 5PB11xxCMGI, 5PB11xxCMGK.  $T_A = -40^\circ C$  to  $+105^\circ C$  unless stated otherwise.

**Table 11. DC Electrical Characteristics –  $V_{DD} = 3.3V \pm 5\%$ , Automotive**

Symbol	Parameter	Applies to	Conditions	Minimum	Typical	Maximum	Unit
$V_{DD}$	Operating Voltage	Automotive [2][3]		3.135	3.3	3.465	V
$V_{IH}$	Input High Voltage, CLKIN [1]		$0.7 \times V_{DD}$	-	-	V	
$V_{IL}$	Input Low Voltage, CLKIN [1]		$0.3 \times V_{DD}$	V			
$V_{IH}$	Input High Voltage, 1G		$V_{DD}$	V			
$V_{IL}$	Input Low Voltage, 1G		08	V			
$V_{OH}$	Output High Voltage		$I_{OH} = -12mA.$	2.1	-	-	V
$V_{OL}$	Output Low Voltage	5PB1104 [2]	$I_{OL} = 12mA.$	-	-	0.825	V
		5PB1110 [3]	$I_{OL} = 12mA.$	-	-	0.850	V
$Z_O$	Nominal Output Impedance	Automotive [2][3]		-	50	-	$\Omega$
$C_{IN}$	Input Capacitance		CLKIN, 1G pin.	-	5	-	pF
$I_{DD}$	Operating Supply Current	5PB1104 [2]	0.001MHz, $C_L = 5pF.$	-	1.2	1.7	mA
			0.008MHz, $C_L = 5pF.$	-	1.2	1.7	
			40MHz, $C_L = 5pF.$	-	19	22	
			100MHz, $C_L = 5pF.$	-	45	54	
			156.25MHz, $C_L = 5pF.$	-	67	87	
			200MHz, $C_L = 5pF.$	-	75	107	
$I_{DD}$	Operating Supply Current	5PB1110 [3]	0.001MHz, $C_L = 5pF.$	-	7.2	10.2	mA
			0.008MHz, $C_L = 5pF.$	-	7.2	10.2	
			40MHz, $C_L = 5pF.$	-	52	67	
			100MHz, $C_L = 5pF.$	-	117	147	
			156.25MHz, $C_L = 5pF.$	-	168	234	
			200MHz, $C_L = 5pF.$	-	186	256	
$I_{IH}$	Input High Leakage	Automotive [2][3]	$V_{IN} = V_{DD}$	-	-	5	$\mu A$
$I_{IL}$	Input Low Leakage		$V_{IN} = 0V$	-	-	5	$\mu A$

[1] Nominal switching threshold is  $V_{DD}/2$ .

[2] 5PB1104CMG1 and 5PB1104CMT1  $T_A = -40^\circ C$  to  $+125^\circ C$  unless stated otherwise.

[3] 5PB1110NDG2  $T_A = -40^\circ C$  to  $+105^\circ C$  unless stated otherwise.

## AC Electrical Characteristics

$V_{DD} = 1.8V, 2.5V, \text{ or } 3.3V$  (see tables below).

**Table 12. AC Electrical Characteristics –  $V_{DD} = 1.8V \pm 5\%$ , Industrial and Extended**

Symbol	Parameter	Applies to	Conditions	Minimum	Typical	Maximum	Unit
-	Input Frequency	Industrial and Extended <sup>[1]</sup>		0	-	200	MHz
$t_{OR}$	Output Rise Time (2pF load)		0.36V to 1.44V, $C_L = 2pF$ .	-	0.5	0.75	ns
$t_{OF}$	Output Fall Time (2pF load)		1.44V to 0.36V, $C_L = 2pF$ .	-	0.5	0.75	ns
$t_{OR}$	Output Rise Time (5pF load)		0.36V to 1.44V, $C_L = 5pF$ .	-	0.8	1.0	ns
$t_{OF}$	Output Fall Time (5pF load)		1.44V to 0.36V, $C_L = 5pF$ .	-	0.8	1.0	ns
$t_{START-UP}$	Start-up Time		Part start-up time for valid outputs after $V_{DD}$ ramp-up.	-	-	3	ms
$t_{PD}$	Propagation Delay <sup>[2]</sup>			1.5	-	2.5	ns
-	Buffer Additive Phase Jitter, RMS		156.25MHz, Integration Range: 12kHz–20MHz.	-	-	0.05	ps
-	Output to Output Skew, 5PB1102/04		Rising edges at $V_{DD}/2$ . <sup>[3]</sup>	-	35	50	ps
-	Output to Output Skew, 5PB1106		Rising edges at $V_{DD}/2$ . <sup>[3]</sup>	-	35	58	ps
-	Output to Output Skew, 5PB1108/10		Rising edges at $V_{DD}/2$ . <sup>[3]</sup>	-	45	65	ps
-	Device to Device Skew		Rising edges at $V_{DD}/2$ .	-	-	200	ps
$t_{EN}$	Output Enable Time		$C_L \leq 5pF$ .	-	-	3	cycles
$t_{DIS}$	Output Disable Time		$C_L \leq 5pF$ .	-	-	3	cycles
$t_{DC}$	Duty Cycle <sup>[4]</sup>		-	50	-	%	

<sup>1</sup> 5PB11xxPGGI, 5PB11xxPGGK, 5PB11xxCMGI, 5PB11xxCMGK.  $T_A = -40^\circ C$  to  $+105^\circ C$  unless stated otherwise.

<sup>2</sup> With rail-to-rail input clock.

<sup>3</sup> Between any 2 outputs with equal loading.

<sup>4</sup> Duty cycle on outputs will match incoming clock duty cycle when  $V_{IH}$  on CLKIN pin equals  $V_{DD}$  power supply voltage. Consult Renesas for tight duty cycle clock generators.

**Table 13. AC Electrical Characteristics –  $V_{DD} = 1.8V \pm 5\%$ , Automotive**

Symbol	Parameter	Applies to	Conditions	Minimum	Typical	Maximum	Unit
-	Input Frequency	Automotive [1][5]		0	-	200	MHz
$t_{OR}$	Output Rise Time (5pF load)		0.36V to 1.44V, $C_L = 5pF$ .	-	0.65	1.2	ns
$t_{OF}$	Output Fall Time (5pF load)	5PB1104[1]	1.44V to 0.36V, $C_L = 5pF$ .	-	0.65	1.2	ns
		5PB1110[5]	1.44V to 0.36V, $C_L = 5pF$ .	-	0.65	1.25	ns
$t_{START-UP}$	Start-up Time	5PB1104[1]	Part start-up time for valid outputs after $V_{DD}$ ramp-up.	-	-	3	ms
		5PB1110[5]	Part start-up time for valid outputs after $V_{DD}$ ramp-up.	-	-	3.2	ms
$t_{PD}$	Propagation Delay [2]	5PB1104[1]		1.0	-	3.4	ns
		5PB1110[5]		1.0	-	4.0	ns
-	Buffer Additive Phase Jitter, RMS	5PB1104[1]	156.25MHz, Integration Range: 12kHz–20MHz.	-	-	0.06	ps
		5PB1110[5]	156.25MHz, Integration Range: 12kHz–20MHz.	-	-	0.068	ps
-	Output to Output Skew	Automotive [1][5]	Rising edges at $V_{DD}/2$ . [3]	-	35	87	ps
-	Device to Device Skew		Rising edges at $V_{DD}/2$ .	-	-	200	ps
$t_{EN}$	Output Enable Time		$C_L \leq 5pF$ .	-	-	3	cycles
$t_{DIS}$	Output Disable Time		$C_L \leq 5pF$ .	-	-	3	cycles
$t_{DC}$	Duty Cycle [4]			-	50	-	%

<sup>1</sup> 5PB1104CMG1 and 5PB1104CMT1  $T_A = -40^\circ C$  to  $+125^\circ C$  unless stated otherwise.

<sup>2</sup> With rail-to-rail input clock.

<sup>3</sup> Between any 2 outputs with equal loading.

<sup>4</sup> Duty cycle on outputs will match incoming clock duty cycle when  $V_{IH}$  on CLKIN pin equals  $V_{DD}$  power supply voltage. Consult Renesas for tight duty cycle clock generators.

<sup>5</sup> 5PB1110NDG2  $T_A = -40^\circ C$  to  $+105^\circ C$  unless stated otherwise.

**Table 14. AC Electrical Characteristics –  $V_{DD} = 2.5V \pm 5\%$ , Industrial and Extended**

Symbol	Parameter	Applies to	Conditions	Minimum	Typical	Maximum	Unit
-	Input Frequency	Industrial and Extended <sup>[1]</sup>		0	-	200	MHz
$t_{OR}$	Output Rise Time (2pF load)		0.5V to 2.0V, $C_L = 2pF$ .	-	0.4	0.7	ns
$t_{OF}$	Output Fall Time (2pF load)		2.0V to 0.5V, $C_L = 2pF$ .	-	0.4	0.7	ns
$t_{OR}$	Output Rise Time (5pF load)		0.5V to 2.0V, $C_L = 5pF$ .	-	0.75	1.0	ns
$t_{OF}$	Output Fall Time (5pF load)		2.0V to 0.5V, $C_L = 5pF$ .	-	0.75	1.0	ns
$t_{START-UP}$	Start-up Time		Part start-up time for valid outputs after $V_{DD}$ ramp-up.	-	-	3	ms
$t_{PD}$	Propagation Delay, 5PB1102/04 <sup>[2]</sup>			1.9	-	2.9	ns
	Propagation Delay, 5PB1106/08 <sup>[2]</sup>			2.0	-	3.3	ns
	Propagation Delay, 5PB1110 <sup>[2]</sup>			2.0	-	3.0	ns
-	Buffer Additive Phase Jitter, RMS		156.25MHz, Integration Range: 12kHz–20MHz.	-	-	0.05	ps
-	Output to Output Skew, 5PB1102/04		Rising edges at $V_{DD}/2$ . <sup>[3]</sup>	-	35	50	ps
-	Output to Output Skew, 5PB1106		Rising edges at $V_{DD}/2$ . <sup>[3]</sup>	-	35	58	ps
-	Output to Output Skew, 5PB1108/10		Rising edges at $V_{DD}/2$ . <sup>[3]</sup>	-	45	65	ps
-	Device to Device Skew		Rising edges at $V_{DD}/2$ .	-	-	200	ps
$t_{EN}$	Output Enable Time		$C_L \leq 5pF$ .	-	-	3	cycles
$t_{DIS}$	Output Disable Time		$C_L \leq 5pF$ .	-	-	3	cycles
$t_{DC}$	Duty Cycle <sup>[4]</sup>		-	50	-	%	

<sup>1</sup> 5PB11xxPGGI, 5PB11xxPGGK, 5PB11xxCMGI, 5PB11xxCMGK.  $T_A = -40^\circ C$  to  $+105^\circ C$  unless stated otherwise.

<sup>2</sup> With rail-to-rail input clock.

<sup>3</sup> Between any 2 outputs with equal loading.

<sup>4</sup> Duty cycle on outputs will match incoming clock duty cycle when  $V_{IH}$  on CLKIN pin equals  $V_{DD}$  power supply voltage. Consult Renesas for tight duty cycle clock generators.

**Table 15. AC Electrical Characteristics –  $V_{DD} = 2.5V \pm 5\%$ , Automotive**

Symbol	Parameter	Applies to	Conditions	Minimum	Typical	Maximum	Unit
-	Input Frequency	Automotive <sup>[1][5]</sup>		0	-	200	MHz
$t_{OR}$	Output Rise Time (5pF load)		0.5V to 2.0V, $C_L = 5pF$ .	-	0.63	1.2	ns
$t_{OF}$	Output Fall Time (5pF load)		2.0V to 0.5V, $C_L = 5pF$ .	-	0.63	1.2	ns
$t_{START-UP}$	Start-up Time		Part start-up time for valid outputs after $V_{DD}$ ramp-up.	-	-	3	ms
$t_{PD}$	Propagation Delay <sup>[2]</sup>	5PB1104 <sup>[1]</sup>		1.0	-	4.5	ns
		5PB1110 <sup>[5]</sup>		-	-	4.75	ns
-	Buffer Additive Phase Jitter, RMS	5PB1104 <sup>[1]</sup>	156.25MHz, Integration Range: 12kHz–20MHz.	-	-	0.06	ps
		5PB1110 <sup>[5]</sup>	156.25MHz, Integration Range: 12kHz–20MHz.	-	-	0.065	ps
-	Output to Output Skew	Automotive <sup>[1][5]</sup>	Rising edges at $V_{DD}/2$ . <sup>[3]</sup>	-	35	87	ps
-	Device to Device Skew		Rising edges at $V_{DD}/2$ .	-	-	200	ps
$t_{EN}$	Output Enable Time		$C_L \leq 5pF$ .	-	-	3	cycles
$t_{DIS}$	Output Disable Time		$C_L \leq 5pF$ .	-	-	3	cycles
$t_{DC}$	Duty Cycle <sup>[4]</sup>			-	50	-	%

<sup>1</sup> 5PB1104CMG1 and 5PB1104CMT1  $T_A = -40^\circ C$  to  $+125^\circ C$  unless stated otherwise.

<sup>2</sup> With rail-to-rail input clock.

<sup>3</sup> Between any 2 outputs with equal loading.

<sup>4</sup> Duty cycle on outputs will match incoming clock duty cycle when  $V_{IH}$  on CLKIN pin equals  $V_{DD}$  power supply voltage. Consult Renesas for tight duty cycle clock generators.

<sup>5</sup> 5PB1110NDG2  $T_A = -40^\circ C$  to  $+105^\circ C$  unless stated otherwise.

**Table 16. AC Electrical Characteristics –  $V_{DD} = 3.3V \pm 5\%$ , Industrial and Extended**

Symbol	Parameter	Applies to	Conditions	Minimum	Typical	Maximum	Unit
-	Input Frequency	Industrial and Extended <sup>[1]</sup>		0	-	200	MHz
$t_{OR}$	Output Rise Time (2pF load)		0.66V to 2.64V, $C_L = 2pF$ .	-	0.45	0.6	ns
$t_{OF}$	Output Fall Time (2pF load)		2.64V to 0.66V, $C_L = 2pF$ .	-	0.45	0.6	ns
$t_{OR}$	Output Rise Time (5pF load)		0.66V to 2.64V, $C_L = 5pF$ .	-	0.7	1.0	ns
$t_{OF}$	Output Fall Time (5pF load)		2.64V to 0.66V, $C_L = 5pF$ .	-	0.7	1.0	ns
$t_{START-UP}$	Start-up Time		Part start-up time for valid outputs after $V_{DD}$ ramp-up.	-	-	3	ms
$t_{PD}$	Propagation Delay, 5PB1102/04 <sup>[2]</sup>			1.7	-	2.4	ns
	Propagation Delay, 5PB1106/08 <sup>[2]</sup>			1.7	-	2.7	ns
	Propagation Delay, 5PB1110 <sup>[2]</sup>			1.7	-	2.5	ns
-	Buffer Additive Phase Jitter, RMS		156.25MHz, Integration Range: 12kHz–20MHz.	-	-	0.05	ps
-	Output to Output Skew, 5PB1102/04		Rising edges at $V_{DD}/2$ . <sup>[3]</sup>	-	35	50	ps
-	Output to Output Skew, 5PB1106		Rising edges at $V_{DD}/2$ . <sup>[3]</sup>	-	35	58	ps
-	Output to Output Skew, 5PB1108/10		Rising edges at $V_{DD}/2$ . <sup>[3]</sup>	-	45	65	ps
-	Device to Device Skew		Rising edges at $V_{DD}/2$ .	-	-	200	ps
$t_{EN}$	Output Enable Time		$C_L \leq 5pF$ .	-	-	3	cycles
$t_{DIS}$	Output Disable Time	$C_L \leq 5pF$ .	-	-	3	cycles	
$t_{DC}$	Duty Cycle <sup>[4]</sup>		-	50	-	%	

<sup>1</sup> 5PB11xxPGGI, 5PB11xxPGGK, 5PB11xxCMGI, 5PB11xxCMGK.  $T_A = -40^\circ C$  to  $+105^\circ C$  unless stated otherwise.

<sup>2</sup> With rail-to-rail input clock.

<sup>3</sup> Between any 2 outputs with equal loading.

<sup>4</sup> Duty cycle on outputs will match incoming clock duty cycle when  $V_{IH}$  on CLKIN pin equals  $V_{DD}$  power supply voltage. Consult Renesas for tight duty cycle clock generators.

**Table 17. AC Electrical Characteristics –  $V_{DD} = 3.3V \pm 5\%$ , Automotive**

Symbol	Parameter	Applies to	Conditions	Minimum	Typical	Maximum	Unit
-	Input Frequency	Automotive <sup>[1][5]</sup>		0	-	200	MHz
$t_{OR}$	Output Rise Time (5pF load)		0.66V to 2.64V, $C_L = 5pF$ .	-	0.61	1.2	ns
$t_{OF}$	Output Fall Time (5pF load)		2.64V to 0.66V, $C_L = 5pF$ .	-	0.61	1.2	ns
$t_{START-UP}$	Start-up Time		Part start-up time for valid outputs after $V_{DD}$ ramp-up.	-	-	3	ms
$t_{PD}$	Propagation Delay <sup>[2]</sup>	5PB1104 <sup>[1]</sup>		1.0	-	3.4	ns
		5PB1110 <sup>[5]</sup>		1.0	-	4.0	ns
-	Buffer Additive Phase Jitter, RMS	5PB1104 <sup>[1]</sup>	156.25MHz, Integration Range: 12kHz–20MHz.	-	-	0.05	ps
		5PB1110 <sup>[5]</sup>	156.25MHz, Integration Range: 12kHz–20MHz.	-	-	0.065	ps
-	Output to Output Skew	Automotive <sup>[1][5]</sup>	Rising edges at $V_{DD}/2$ . <sup>[3]</sup>	-	35	87	ps
-	Device to Device Skew		Rising edges at $V_{DD}/2$ .	-	-	200	ps
$t_{EN}$	Output Enable Time		$C_L \leq 5pF$ .	-	-	3	cycles
$t_{DIS}$	Output Disable Time		$C_L \leq 5pF$ .	-	-	3	cycles
$t_{DC}$	Duty Cycle <sup>[4]</sup>			-	50	-	%

<sup>1</sup> 5PB1104CMG1 and 5PB1104CMT1 only.  $T_A = -40^\circ C$  to  $+125^\circ C$  unless stated otherwise.

<sup>2</sup> With rail-to-rail input clock.

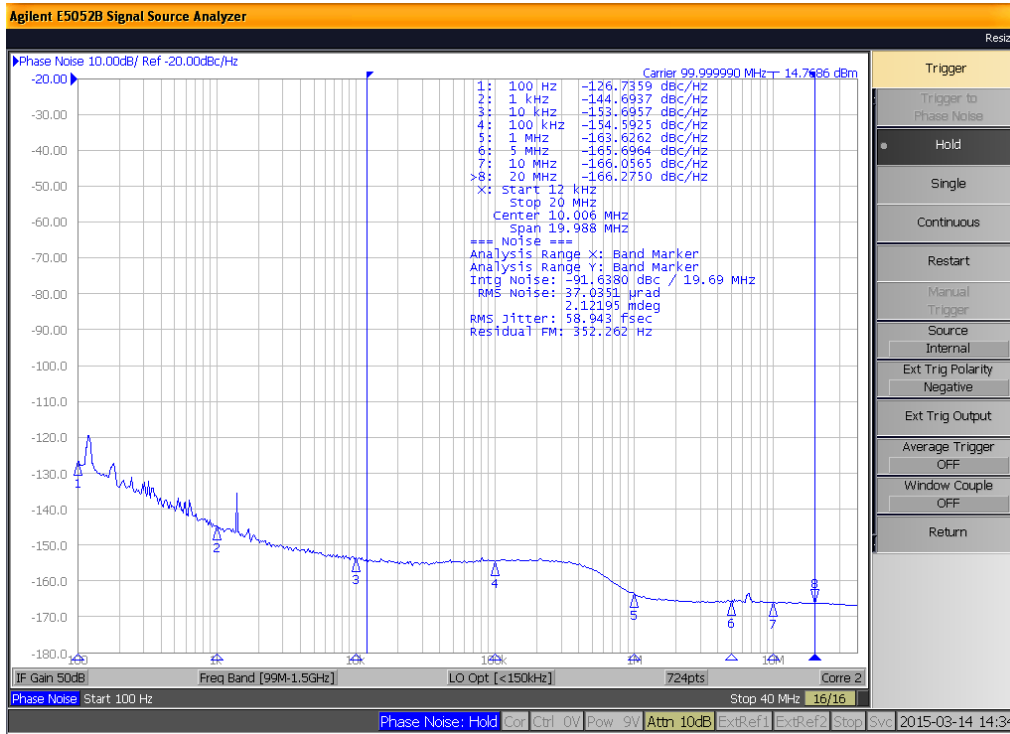
<sup>3</sup> Between any 2 outputs with equal loading.

<sup>4</sup> Duty cycle on outputs will match incoming clock duty cycle when  $V_{IH}$  on CLKIN pin equals  $V_{DD}$  power supply voltage. Consult Renesas for tight duty cycle clock generators.

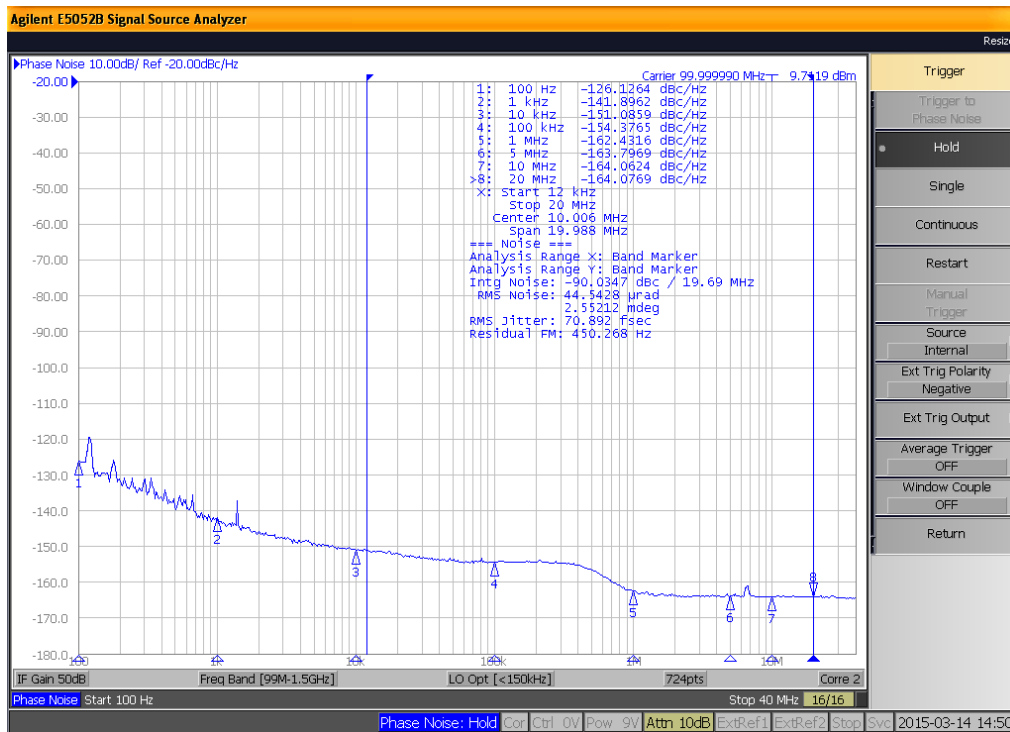
<sup>5</sup> 5PB1110NDG2  $T_A = -40^\circ C$  to  $+105^\circ C$  unless stated otherwise.

## Phase Noise Plots

The phase noise plots show the low additive jitter of the 5PB11xx high-performance buffer. With an integration range of 12kHz to 20MHz, the reference input has about 58.9fs of RMS phase jitter while the output of 5PB11xx has about 70.9fs of RMS phase jitter. This results in a low additive phase jitter of only 39fs.

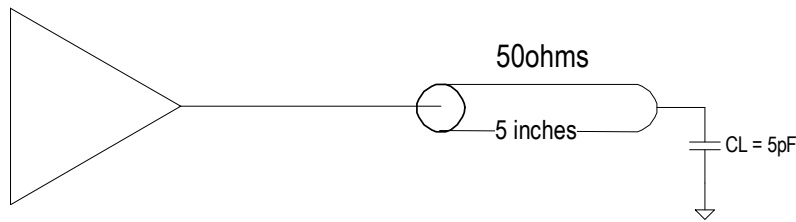


Reference Phase Noise 58.9fs (12kHz to 20MHz)



Output Phase Noise 70.9fs (12kHz to 20MHz)

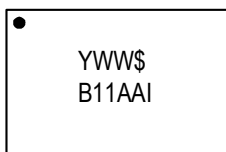
## Test Load and Circuit



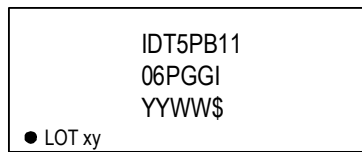
## Package Outline Drawings

The package outline drawings are located at the end of this document and are accessible from the Renesas website (see the Ordering Information tables for POD links). The package information is the most current data available and is subject to change without revision of this document.

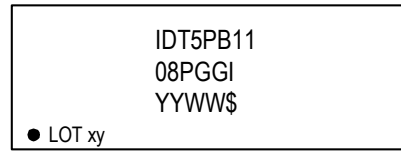
## Marking Diagrams (Industrial)



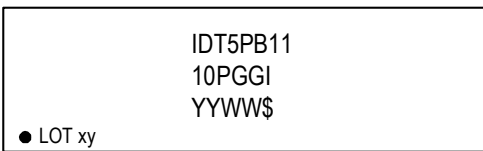
8-pin TSSOP



14-pin TSSOP



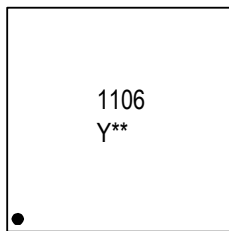
16-pin TSSOP



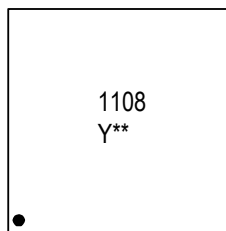
20-pin TSSOP



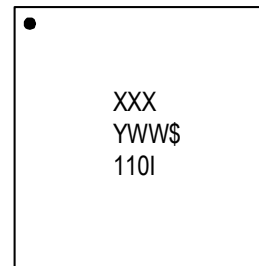
8-pin DFN



16-pin VFQFPN



16-pin VFQFPN



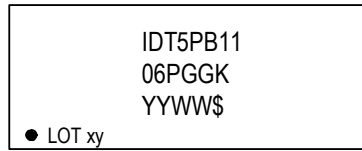
20-pin VFQFPN

- “AA” denotes the last two digits of the part number for 8-TSSOP and DFN (e.g. 02, 04).
- “\*\*” is the lot sequence.
- “XXX” denotes the last three characters of the Asm lot (20-VFQFPN only).
- “YYWW”, “YWW”, “YW”, or “Y” is the last digit(s) of the year and work week that the part was assembled.
- “\$” denotes the mark code.
- “G” after the two-letter package code denotes RoHS compliant package.
- “I” denotes industrial temperature range device.

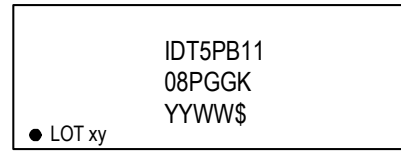
## Marking Diagrams (Extended)



8-pin TSSOP



14-pin TSSOP



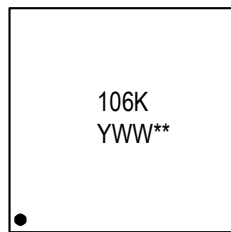
16-pin TSSOP



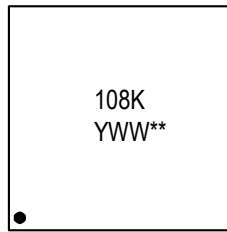
20-pin TSSOP



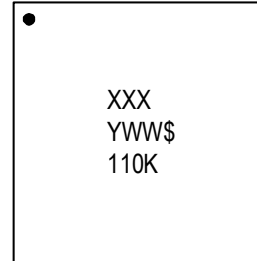
8-pin DFN



16-pin VFQFPN



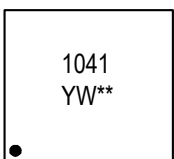
16-pin VFQFPN



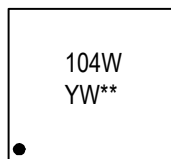
20-pin VFQFPN

- “AA” denotes the last two digits of the part number for 8-TSSOP and DFN (e.g. 02, 04).
- “\*\*” is the lot sequence.
- “XXX” denotes the last three characters of the Asm lot (20-VFQFPN only).
- “YYWW”, “YWW”, “YW”, or “Y” is the last digit(s) of the year and week that the part was assembled.
- “\$” denotes the mark code.
- “G” after the two-letter package code denotes RoHS compliant package.
- “K” denotes extended temperature range device.

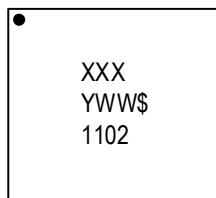
## Marking Diagrams (Automotive)



8-pin DFN



8-pin DFN (wetable flank)



20-pin VFQFPN (wetable flank)

- Line 1:
  - For 8-pin devices: truncated part number; last number is the temperature grade: 1 = Automotive Grade 1.
  - For 20-pin device: “XXX” denotes ASM lot number.
- Line 2:
  - “YW” or “YWW” is the last digit(s) of the year and work week that the part was assembled.
  - “\*\*” denotes the lot sequence number.
- “1102” on 20-pin device denotes truncated part number; last number is the temperature grade: 2 = Automotive Grade 2.

## Ordering Information (Industrial)

Part Number	Package	Carrier Type	Temperature Range
5PB1102PGGI	4.4mm body, <b>8-TSSOP</b>	Tubes	-40 to +85°C
5PB1102PGGI8		Tape and Reel	
5PB1104PGGI		Tubes	
5PB1104PGGI8		Tape and Reel	
5PB1106PGGI	4.4mm body, <b>14-TSSOP</b>	Tubes	
5PB1106PGGI8		Tape and Reel	
5PB1108PGGI	4.4mm body, <b>16-TSSOP</b>	Tubes	
5PB1108PGGI8		Tape and Reel	
5PB1110PGGI	4.4mm body, <b>20-TSSOP</b>	Tubes	
5PB1110PGGI8		Tape and Reel	
5PB1102CMGI	2.0 × 2.0 × 0.5 mm, <b>8-DFN</b>	Cut Tape	
5PB1102CMGI8		Tape and Reel	
5PB1104CMGI		Cut Tape	
5PB1104CMGI8		Tape and Reel	
5PB1104CMGI/W <sup>[a]</sup>		Tape and Reel	
5PB1106CMGI	2.5 × 2.5 × 0.5 mm, <b>16-VFQFPN</b>	Cut Tape	
5PB1106CMGI8		Tape and Reel	
5PB1108CMGI		Cut Tape	
5PB1108CMGI8		Tape and Reel	
5PB1110NDGI	3.0 × 3.0 × 0.90 mm, <b>20-VFQFPN</b>	Tubes	
5PB1110NDGI8		Tape and Reel	

[a] "/W" stands for tape and reel with pin 1 orientation: EIA-481-D. All other tape and reels options come with EIA-481-C pin 1 orientation.

## Ordering Information (Extended)

Part Number	Package	Carrier Type	Temperature Range
5PB1102PGGK	4.4mm body, <b>8-TSSOP</b>	Tubes	-40 to +105°C
5PB1102PGGK8		Tape and Reel	
5PB1104PGGK		Tubes	
5PB1104PGGK8		Tape and Reel	
5PB1106PGGK	4.4mm body, <b>14-TSSOP</b>	Tubes	
5PB1106PGGK8		Tape and Reel	
5PB1108PGGK	4.4mm body, <b>16-TSSOP</b>	Tubes	
5PB1108PGGK8		Tape and Reel	
5PB1110PGGK	4.4mm body, <b>20-TSSOP</b>	Tubes	
5PB1110PGGK8		Tape and Reel	
5PB1102CMGK	2.0 × 2.0 × 0.5 mm, <b>8-DFN</b>	Cut Tape	
5PB1102CMGK8		Tape and Reel	
5PB1104CMGK		Cut Tape	
5PB1104CMGK8		Tape and Reel	
5PB1104CMGK/W <sup>[a]</sup>		Tape and Reel	
5PB1106CMGK	2.5 × 2.5 × 0.5 mm, <b>16-VFQFPN</b>	Cut Tape	
5PB1106CMGK8		Tape and Reel	
5PB1108CMGK		Cut Tape	
5PB1108CMGK8		Tape and Reel	
5PB1110NDGK	3.0 × 3.0 × 0.90 mm, <b>20-VFQFPN</b>	Tubes	
5PB1110NDGK8		Tape and Reel	

[a] "/W" stands for tape and reel with pin 1 orientation: EIA-481-D. All other tape and reels options come with EIA-481-C pin 1 orientation.

## Ordering Information (Automotive)

Part Number	Package	Carrier Type	Temperature Range
5PB1104CMG1	2.0 × 2.0 × 0.5 mm, <b>8-DFN</b>	Cut Tape	-40° to +125°C
5PB1104CMG18		Tape and Reel	
5PB1104CMT1	2.0 × 2.0 × 0.75 mm, <b>8-DFN, Wettable Flank</b>	Cut Tape	-40° to +125°C
5PB1104CMT18		Tape and Reel	
5PB1110NDG2	3.0 × 3.0 × 0.90 mm, <b>20-VFQFPN, Wettable Flank</b>	Tube	-40° to +105°C
5PB1110NDG28		Tape and Reel	

## Ordering Information (Special Material Request)

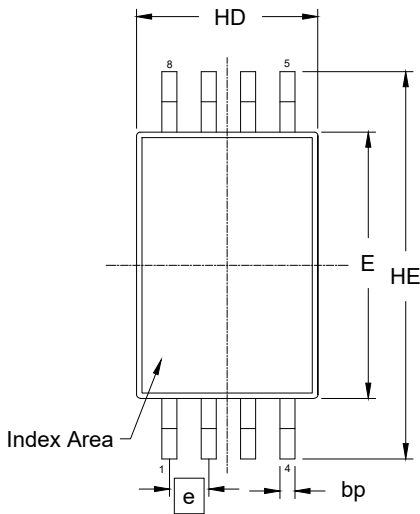
For customers with a special material request, an alphanumeric code is assigned to the standard part number (see examples below). Contact Renesas for more information.

Standard Part Number Example	Special Material Request Part Number <sup>[a]</sup>
5PB1104CMGI	5PB1104CMGI/X
5PB1104CMGI8	5PB1104CMGI8/X

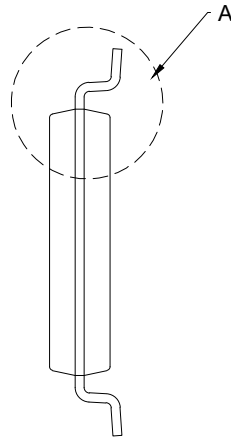
[a] "/X" is a code added to the standard part number when a customer has a special request for material. If no special material is requested, "/X" can be omitted.

## Revision History

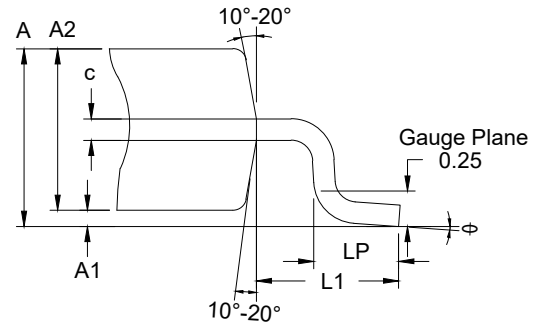
Date	Description of Change
December 13, 2023	Updated POD link for 8-DFN to CMG8D1.
September 15, 2023	Updated POD links for 8-DFN and 20-VFQFPN Wettable Flank options in <a href="#">Ordering Information (Automotive)</a> .
March 31, 2021	Added <a href="#">Ordering Information (Special Material Request)</a> table.
March 11, 2021	Added 5PB1110NDG2 automotive device information.
January 5, 2021	Updated supply voltage pin numbers for 5PB1110PGG in <a href="#">Pin Descriptions – TSSOP Packages</a> table.
December 2, 2020	<ul style="list-style-type: none"> <li>▪ Added 5PB1104CMG/W option to the <a href="#">Ordering Information (Extended)</a> table.</li> <li>▪ Updated <a href="#">Package Outline Drawings</a> links.</li> </ul>
September 29, 2020	Updated marking diagrams for 5PB1106/08/10PGGI and 5PB1106/08/10PGGK.
January 31, 2020	Rebranded the document as Renesas. No technical changes were made.
December 4, 2019	Added Input High and Low Leakage parameters to tables 6–11.
May 31, 2019	<ul style="list-style-type: none"> <li>▪ Added 5PB1104CMT1 wettable flank package information.</li> <li>▪ Updated Propagation Delay values for automotive.</li> </ul>
December 18, 2018	<ul style="list-style-type: none"> <li>▪ Updated <math>t_{PD}</math> and skew values.</li> <li>▪ Added 5PB1104CMG1 automotive part information.</li> </ul>
October 24, 2018	Initial release.



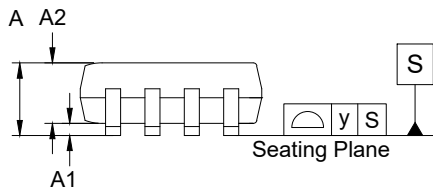
TOP VIEW



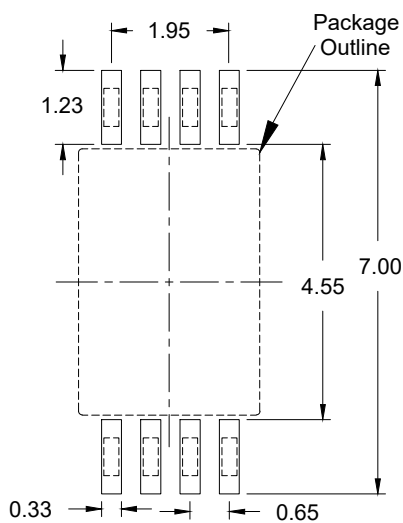
SIDE VIEW



Detail A  
(Rotated 90° CW)



SIDE VIEW

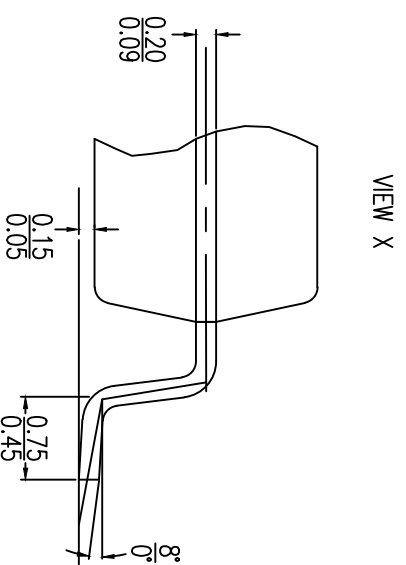
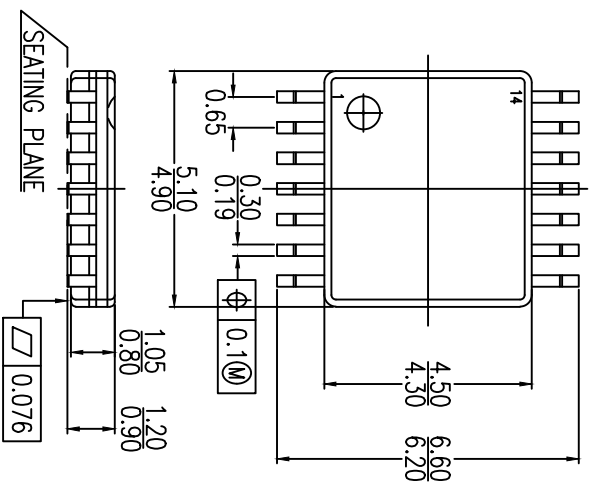


RECOMMENDED LAND PATTERN  
(PCB Top View, SMD Design)

Reference Symbol	Dimension in mm		
	Min	Nom	Max
E	4.30	4.40	4.50
A2	0.80	-	1.05
HD	2.90	3.00	3.10
HE	6.20	6.40	6.60
A	0.85	-	1.20
A1	0.05	0.10	0.15
bp	0.19	0.25	0.30
c	0.09	-	0.20
θ	0.00	-	8.00
e	0.65 BSC		
y	-	-	0.10
LP	0.50	0.625	0.75
L1	-	1.00	-

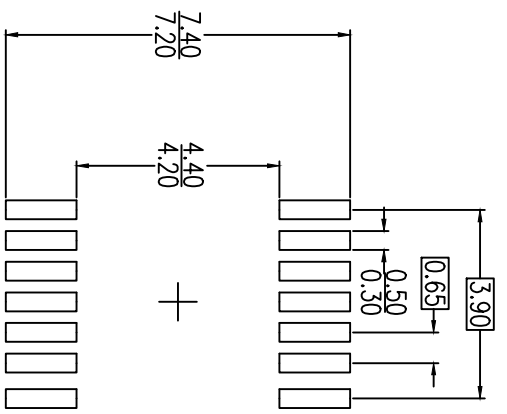
NOTES:

1. JEDEC compatible.
2. All dimensions are in mm and angles are in degrees.
3. Use  $\pm 0.05$  mm for the non-toleranced dimensions.
4. Foot length is measured at gauge plane 0.25 mm above seating plane.



NOTE:

1. ALL DIMENSIONS ARE IN MILLIMETERS

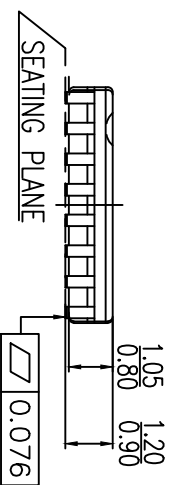
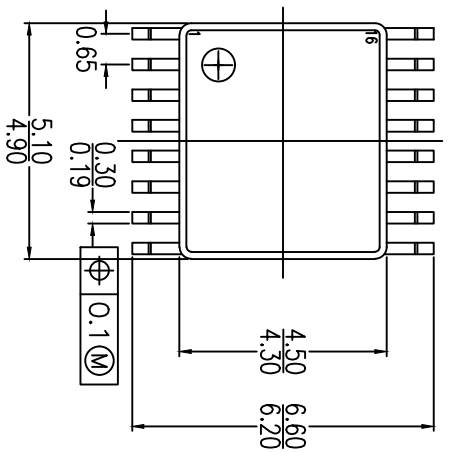


LAND PATTERN DIMENSIONS

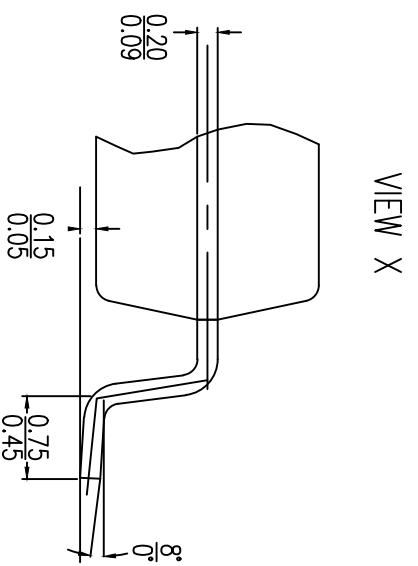
NOTE:

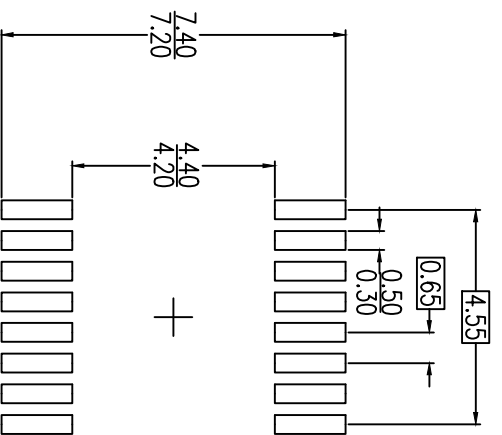
1. ALL DIMENSIONS ARE IN MILLIMETERS

Package Revision History		
Date Created	Rev No.	Description
Mar, 10 2017	Rev 01	Added Land Pattern
Dec, 19 2017	Rev 02	New Format



NOTE:  
1. ALL DIMENSIONS ARE IN MILLIMETERS



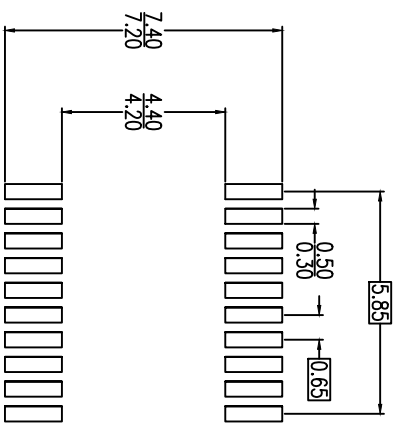


LAND PATTERN DIMENSIONS

NOTE:  
1. ALL DIMENSIONS ARE IN MILLIMETERS

Package Revision History		
Date Created	Rev No.	Description
Jan 26, 2018	Rev 00	Revised from PSC-4056-02 PGG16





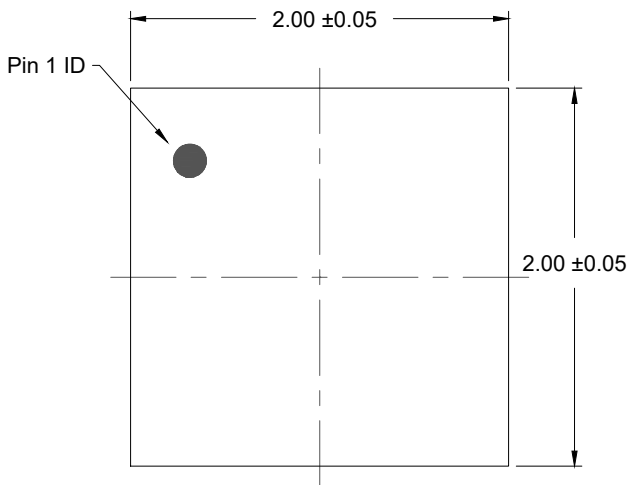
RECOMMENDED LAND PATTERN DIMENSIONS

NOTES:

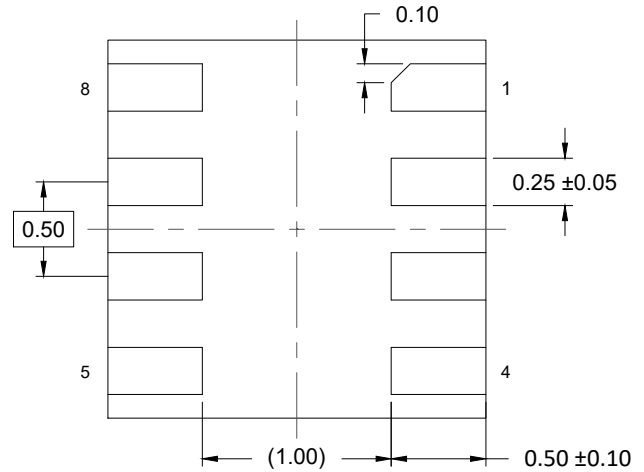
- 1. ALL DIMENSIONS ARE IN MILLIMETERS

Package Revision History

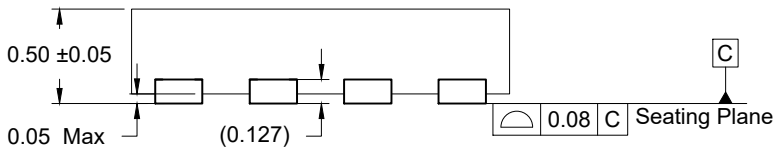
Date Created	Rev No.	Description
July 24, 2018	Rev 00	Initial Release



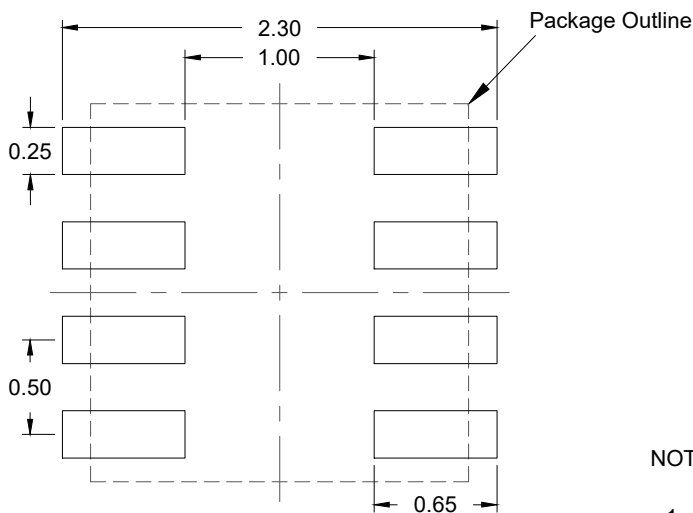
TOP VIEW



BOTTOM VIEW



SIDE VIEW



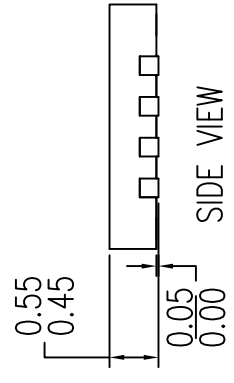
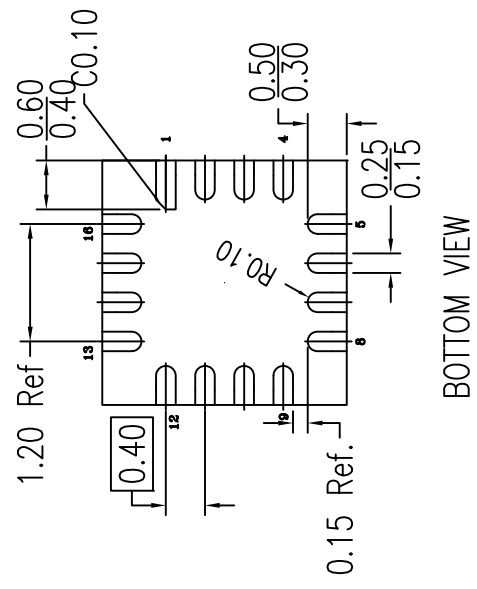
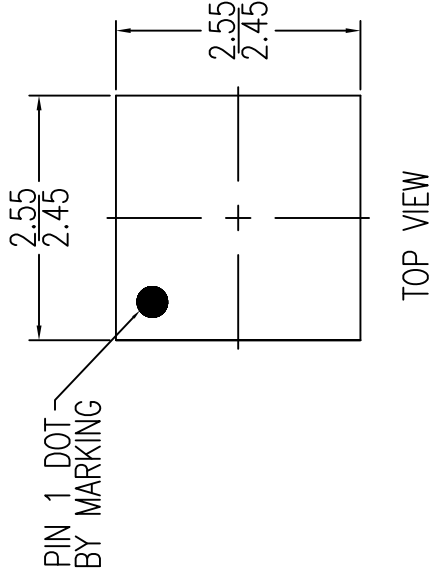
RECOMMENDED LAND PATTERN  
(PCB Top View, NSMD Design)

NOTES:

1. JEDEC compatible.
2. All dimensions are in mm and angles are in degrees.
3. Use  $\pm 0.05$  mm for the non-toleranced dimensions.
4. Numbers in ( ) are for references only.

DATE CREATED	REV
4/3/14	00
12/11/14	01
4/5/18	02

NOE: REFER TO DCP FOR OFFICIAL CHANGE QFN TO



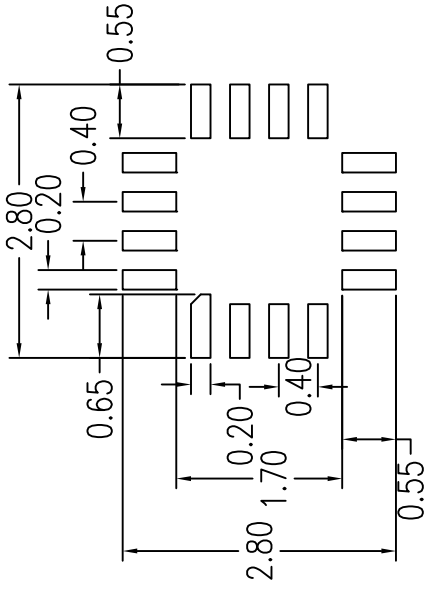
NOTES:

1. ALL DIMENSIONING AND TOLERANCING CONFORM TO ANSI Y14.5M-1982
2. ALL DIMENSIONS ARE IN MILLIMETERS.

TOLERANCES UNLESS SPECIFIED DECIMAL X± ANGULAR ±1° XX± XXX±	WW	TITLE
	DRAWN	
	SIZE C	DO NO

DATE CREATED	REV
4/3/14	00
12/11/14	01
4/5/18	02

NOE: REFER TO DCP FOR OFFICIAL

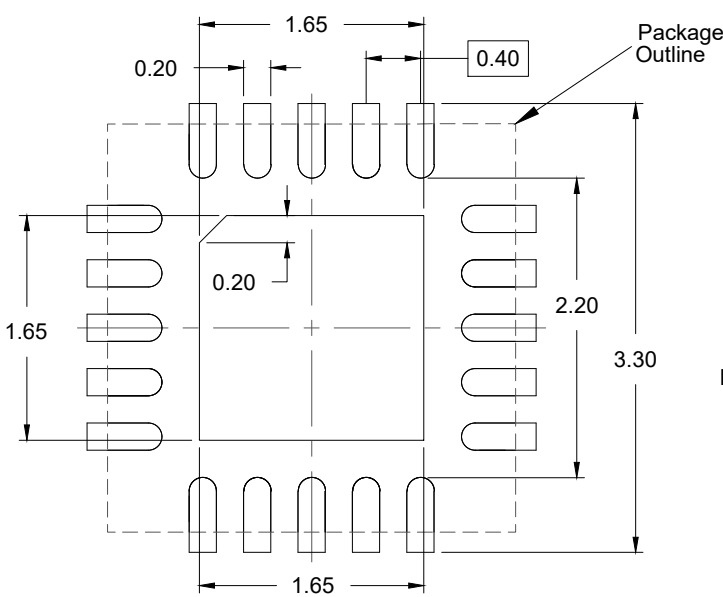
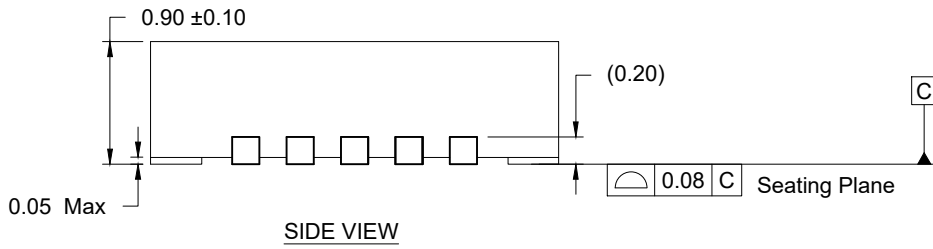
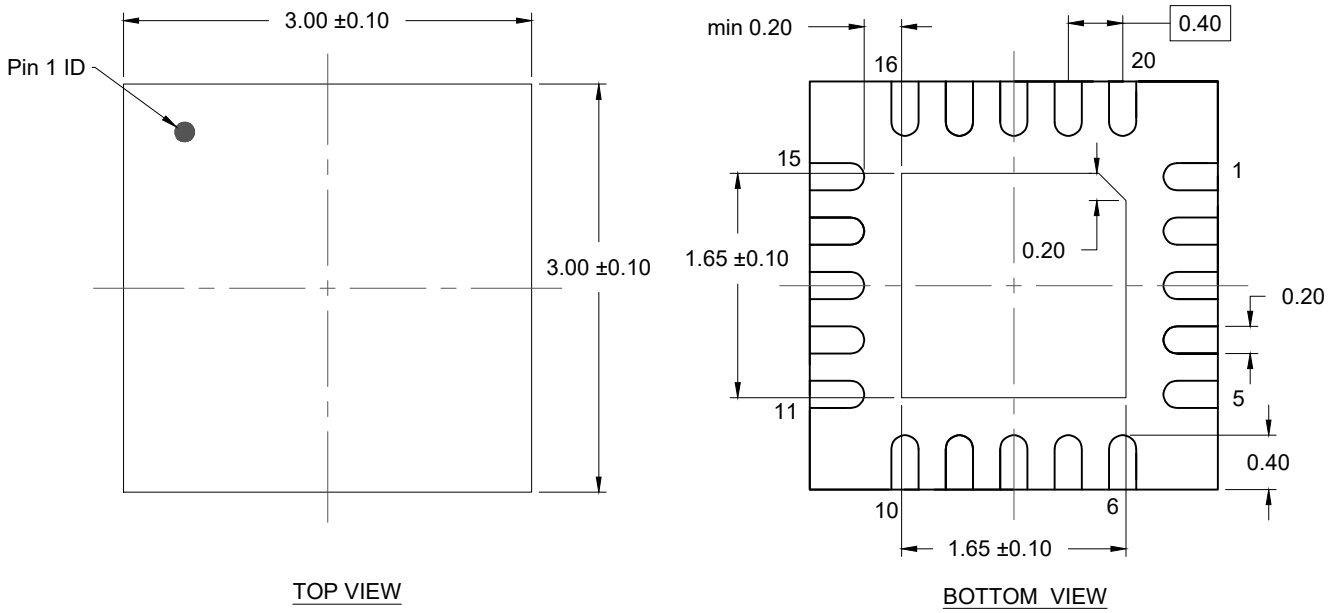


RECOMMENDED LAND PATTERN DIMENSION

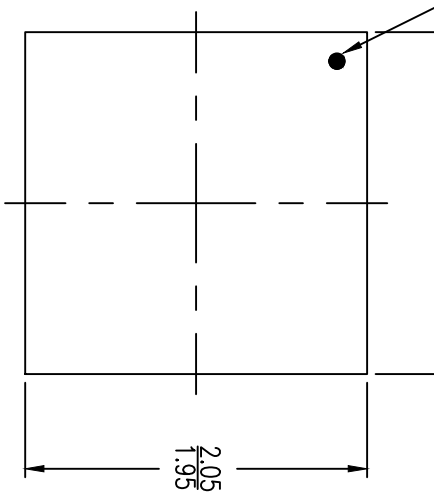
NOTES:

1. ALL DIMENSIONS ARE IN MM. ANGLES IN DEGREES.
2. TOP DOWN VIEW AS VIEWED ON PCB.
3. LAND PATTERN RECOMMENDATION PER IPC-7351B GENERIC REQUIREMENT FOR SURFACE MOUNT DESIGN AND LAND PATTERN.

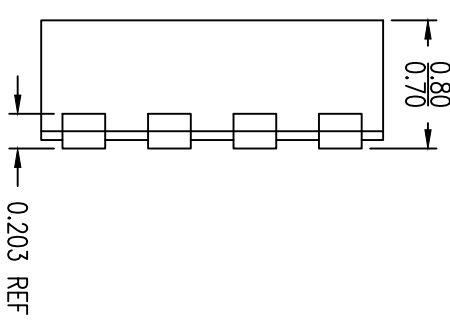
TOLERANCES UNLESS SPECIFIED DECIMAL XX± XXX± XXXX±	ANGULAR ±1°		WW
		TITLE	DO NO
DRAWN	SIZE C	DO NO	DO NO



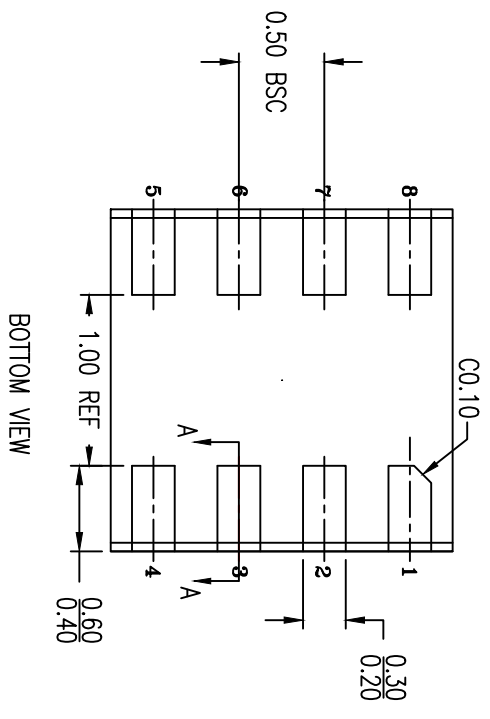
- NOTES:**
1. JEDEC compatible.
  2. All dimensions are in mm and angles are in degrees.
  3. Use  $\pm 0.05$  mm for the non-toleranced dimensions.
  4. Numbers in ( ) are for references only.



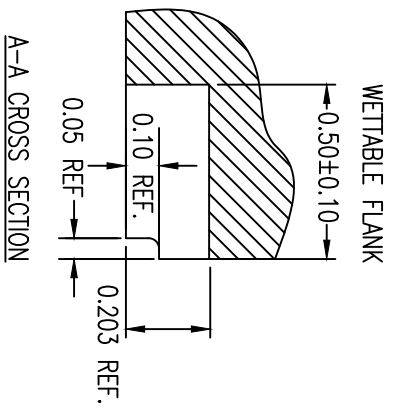
TOP VIEW



SIDE VIEW

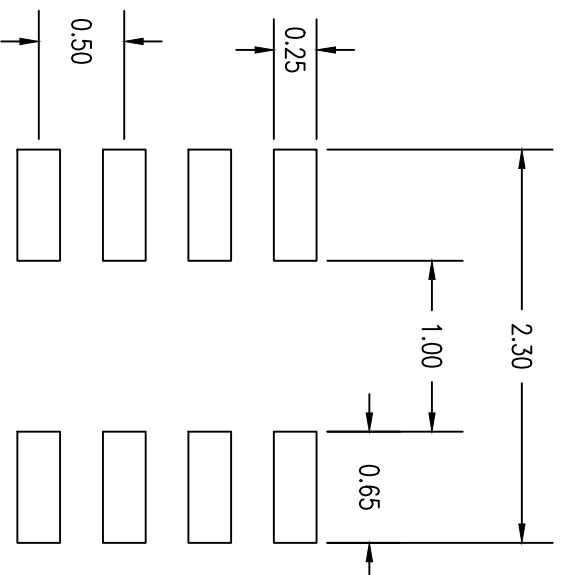


BOTTOM VIEW



A-A CROSS SECTION

- NOTES:
1. ALL DIMENSIONING AND TOLERANCING CONFORM TO ANSI Y14.5M-1982
  2. ALL DIMENSIONS ARE IN MILLIMETERS



RECOMMENDED LAND PATTERN DIMENSION

NOTES:

1. ALL DIMENSION ARE IN MM. ANGLES IN DEGREES.
2. TOP DOWN VIEW, AS VIEWED.
3. LAND PATTERN RECOMMENDATION PER IPC-7351B GENERIC REQUIREMENT FOR MOUNT DESIGN AND LAND PATTERN.

Package Revision History		
Date Created	Rev No.	Description
Oct 23, 2018	Rev 00	Initial Release

## IMPORTANT NOTICE AND DISCLAIMER

RENESAS ELECTRONICS CORPORATION AND ITS SUBSIDIARIES (“RENESAS”) PROVIDES TECHNICAL SPECIFICATIONS AND RELIABILITY DATA (INCLUDING DATASHEETS), DESIGN RESOURCES (INCLUDING REFERENCE DESIGNS), APPLICATION OR OTHER DESIGN ADVICE, WEB TOOLS, SAFETY INFORMATION, AND OTHER RESOURCES “AS IS” AND WITH ALL FAULTS, AND DISCLAIMS ALL WARRANTIES, EXPRESS OR IMPLIED, INCLUDING, WITHOUT LIMITATION, ANY IMPLIED WARRANTIES OF MERCHANTABILITY, FITNESS FOR A PARTICULAR PURPOSE, OR NON-INFRINGEMENT OF THIRD-PARTY INTELLECTUAL PROPERTY RIGHTS.

These resources are intended for developers who are designing with Renesas products. You are solely responsible for (1) selecting the appropriate products for your application, (2) designing, validating, and testing your application, and (3) ensuring your application meets applicable standards, and any other safety, security, or other requirements. These resources are subject to change without notice. Renesas grants you permission to use these resources only to develop an application that uses Renesas products. Other reproduction or use of these resources is strictly prohibited. No license is granted to any other Renesas intellectual property or to any third-party intellectual property. Renesas disclaims responsibility for, and you will fully indemnify Renesas and its representatives against, any claims, damages, costs, losses, or liabilities arising from your use of these resources. Renesas' products are provided only subject to Renesas' Terms and Conditions of Sale or other applicable terms agreed to in writing. No use of any Renesas resources expands or otherwise alters any applicable warranties or warranty disclaimers for these products.

(Disclaimer Rev.1.01 Jan 2024)

### Corporate Headquarters

TOYOSU FORESIA, 3-2-24 Toyosu,  
Koto-ku, Tokyo 135-0061, Japan  
[www.renesas.com](http://www.renesas.com)

### Trademarks



Renesas and the Renesas logo are trademarks of Renesas Electronics Corporation. All trademarks and registered trademarks are the property of their respective owners.

### Contact Information

For further information on a product, technology, the most up-to-date version of a document, or your nearest sales office, please visit [www.renesas.com/contact-us/](http://www.renesas.com/contact-us/).

## Looking for pricing, stock, or lifecycle information?

Click below to explore more details on WIN SOURCE:

-  [View 5PB1108PGGI on WIN SOURCE](#)
-  [Renesas Electronics America](#) Information

## Optimize Your Supply Chain with WIN SOURCE Solutions

-  Global Sourcing Solution
-  Obsolete Management
-  Cost Control Management
-  Shortage Management
-  Alternative Solution
-  Excess Inventory Management