



**THE DATASHEET OF  
NCV8508D2T50**



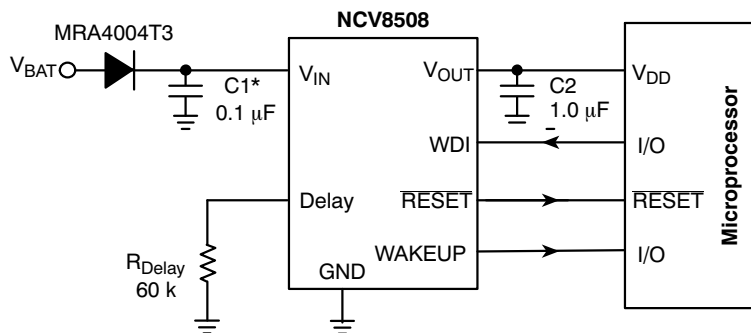
# NCV8508

## 5.0 V, 250 mA LDO with Watchdog and RESET

The NCV8508 is a precision micropower Low Dropout (LDO) voltage regulator. The part contains many of the required features for powering microprocessors. Its robustness makes it suitable for severe automotive environments. In addition, the NCV8508 is ideal for use in battery operated, microprocessor controlled equipment because of its extremely low quiescent current.

### Features

- Output Voltage: 5.0 V
- $\pm 3.0\%$  Output Voltage
- $I_{OUT}$  Up to 250 mA
- Quiescent Current Independent of Load
- Micropower Compatible Control Functions:
  - ◆ Wakeup
  - ◆ Watchdog
  - ◆ RESET
- Low Quiescent Current (100  $\mu$ A typ)
- Protection Features:
  - ◆ Thermal Shutdown
  - ◆ Short Circuit
  - ◆ 45 V Operation
- Internally Fused Leads in SO-16L Package
- NCV Prefix for Automotive and Other Applications Requiring Site and Change Control
- AEC Qualified
- PPAP Capable
- Pb-Free Package is Available\*



\*C1 required if regulator is located far from power supply filter.

Figure 1. Application Circuit

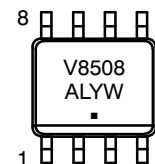
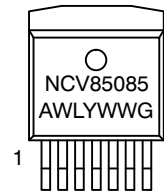
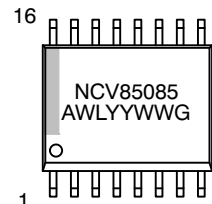
\*For additional information on our Pb-Free strategy and soldering details, please download the ON Semiconductor Soldering and Mounting Techniques Reference Manual, SOLDERRM/D.



ON Semiconductor®

<http://onsemi.com>

### MARKING DIAGRAMS



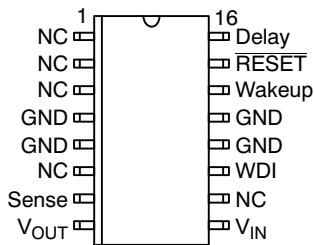
A = Assembly Location  
WL, L = Wafer Lot  
YY, Y = Year  
WW, W = Work Week  
G or ■ = Pb-Free Package

### ORDERING INFORMATION

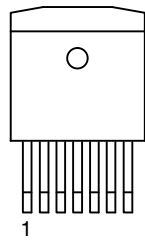
See detailed ordering and shipping information in the package dimensions section on page 23 of this data sheet.

# NCV8508

## PIN CONNECTIONS



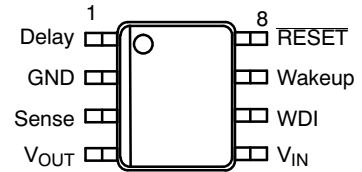
SO-16L



D<sup>2</sup>PAK-7

Tab = GND

- Lead
1. V<sub>OUT</sub>
  2. V<sub>IN</sub>
  3. WDI
  4. GND
  - 5.
  6. Wakeup
  7. Delay
- RESET



SO-8 EP

## PACKAGE PIN DESCRIPTION

| PACKAGE PIN #        |              |         | PIN SYMBOL       | FUNCTION   |
|----------------------|--------------|---------|------------------|--|
| D <sup>2</sup> PAK-7 | SO-16L       | SO-8 EP |                  |  |
| 1                    | 8            | 4       | V <sub>OUT</sub> | Regulated output voltage ± 3.0%.   |
| 2                    | 9            | 5       | V <sub>IN</sub>  | Supply Voltage to the IC.  |
| 3                    | 11           | 6       | WDI              | CMOS compatible input lead. The Watchdog function monitors the falling edge of the incoming signal.  |
| 4                    | 4, 5, 12, 13 | 2       | GND              | Ground connection.   |
| 5                    | 14           | 7       | Wakeup           | CMOS compatible output consisting of a continuously generated signal used to "wake up" the microprocessor from sleep mode.                                     |
| 6                    | 15           | 8       | RESET            | CMOS compatible output lead RESET goes low whenever V <sub>OUT</sub> drops by more than 7.0% from nominal, or during the absence of a correct Watchdog signal. |
| 7                    | 16           | 1       | Delay            | Buffered bandgap voltage used to create timing current for RESET and Wakeup from R <sub>Delay</sub> .  |
| -                    | 1-3, 6, 10   | -       | NC               | No Connection.   |
| -                    | 7            | 3       | Sense            | Kelvin connection which allows remote sensing of the output voltage for improved regulation. Connect to V <sub>OUT</sub> if remote sensing is not required.    |

# NCV8508

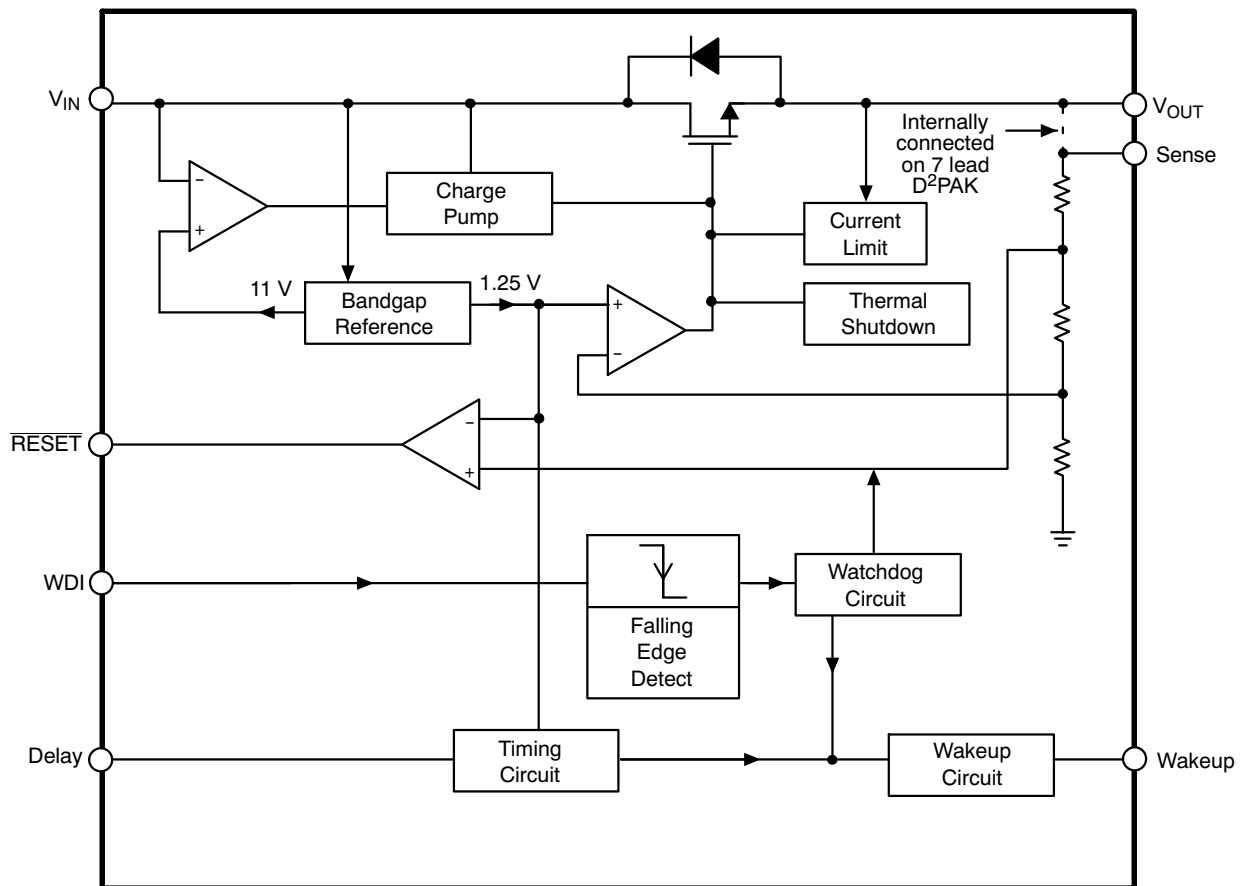


Figure 2. Block Diagram

## MAXIMUM RATINGS

| Rating  | Value  | Unit   |
|---|--|--------|
| Input Voltage, $V_{IN}$ (DC)                              | -0.3 to 45   | V      |
| Peak Transient Voltage (46 V Load Dump @ $V_{IN} = 14$ V) | 60   | V      |
| Output Voltage, $V_{OUT}$                                 | -0.3 to 18   | V      |
| ESD Susceptibility:                                       | Human Body Model   | 2.0 kV |
|   | Machine Model  | 150 V  |
| Logic Inputs/Outputs (RESET, WDI, Wakeup)                 | -0.3 to +7.0   | V      |
| Operating Junction Temperature, $T_J$                     | -40 to 150   | °C     |
| Storage Temperature Range, $T_S$                          | -55 to +150  | °C     |
| Peak Reflow Soldering Temperature:                        | Reflow: (Note 1)<br>240 Peak<br>260 Peak (Pb-Free)<br>(Note 3) | °C     |

Stresses exceeding Maximum Ratings may damage the device. Maximum Ratings are stress ratings only. Functional operation above the Recommended Operating Conditions is not implied. Extended exposure to stresses above the Recommended Operating Conditions may affect device reliability.

- 60 second maximum above 183°C.
- Depending on thermal properties of substrate  $R_{\theta JA} = R_{\theta JC} + R_{\theta JCA}$ .
- 5°C/+0°C allowable conditions, applies to both Pb and Pb-Free devices.

## THERMAL CHARACTERISTICS

See Package Thermal Data Section (Page 10)

# NCV8508

**ELECTRICAL CHARACTERISTICS** ( $-40^{\circ}\text{C} \leq T_J \leq 125^{\circ}\text{C}$ ;  $6.0\text{ V} \leq V_{\text{IN}} \leq 28\text{ V}$ ,  $100\ \mu\text{A} \leq I_{\text{OUT}} \leq 150\text{ mA}$ ,  $C_2 = 1.0\ \mu\text{F}$ ,  $R_{\text{Delay}} = 60\text{ k}$ ; unless otherwise specified.)

| Characteristic                                       | Test Conditions   | Min  | Typ  | Max  | Unit               |
|--|---|------|------|------|--------------------|
| <b>OUTPUT</b>  |   |      |      |      |                    |
| Output Voltage                                       | -   | 4.85 | 5.00 | 5.15 | V                  |
| Dropout Voltage ( $V_{\text{IN}} - V_{\text{OUT}}$ ) | $I_{\text{OUT}} = 150\text{ mA}$ . Note 4   | -    | 450  | 900  | mV                 |
| Load Regulation                                      | $V_{\text{IN}} = 14\text{ V}$ , $100\ \mu\text{A} \leq I_{\text{OUT}} \leq 150\text{ mA}$ | -    | 5.0  | 30   | mV                 |
| Line Regulation                                      | $6.0\text{ V} \leq V_{\text{IN}} \leq 28\text{ V}$ , $I_{\text{OUT}} = 5.0\text{ mA}$     | -    | 5.0  | 50   | mV                 |
| Current Limit  | -   | 250  | 400  | -    | mA                 |
| Thermal Shutdown                                     | Guaranteed by Design  | 150  | 180  | 210  | $^{\circ}\text{C}$ |
| Quiescent Current                                    | $V_{\text{IN}} = 12\text{ V}$ , $I_{\text{OUT}} = 150\text{ mA}$ , (see Figure 6)         | -    | 100  | 150  | $\mu\text{A}$      |

## RESET

|             |   |  |   |            |          |
|-------------|---|--|---|------------|----------|
| Threshold   | -   | 4.50   | 4.65  | 4.80       | V        |
| Output Low  | $R_{\text{LOAD}} = 10\text{ k to }V_{\text{OUT}}$ , $V_{\text{OUT}} \geq 1.0\text{ V}$<br>$R_{\text{LOAD}} = 5.1\text{ k to }V_{\text{OUT}}$ , $V_{\text{OUT}} \geq 1.0\text{ V}$                           | -  | 0.2<br>0.4  | 0.4<br>0.8 | V        |
| Output High | $R_{\text{LOAD}} = 10\text{ k to GND}$<br>$R_{\text{LOAD}} = 5.1\text{ k to GND}$   | $V_{\text{OUT}} - 0.5$<br>$V_{\text{OUT}} - 1.0$ | $V_{\text{OUT}} - 0.25$<br>$V_{\text{OUT}} - 0.5$ | -          | V        |
| Delay Time  | $V_{\text{IN}} = 14\text{ V}$ , $R_{\text{Delay}} = 60\text{ k}$ , $I_{\text{OUT}} = 5.0\text{ mA}$<br>$V_{\text{IN}} = 14\text{ V}$ , $R_{\text{Delay}} = 120\text{ k}$ , $I_{\text{OUT}} = 5.0\text{ mA}$ | 2.0<br>-   | 3.0<br>6.0  | 4.0<br>-   | ms<br>ms |

## WATCHDOG INPUT

|                |  |     |     |     |                    |
|----------------|--|-----|-----|-----|--------------------|
| Threshold High | -  | 70  | -   | -   | $\%V_{\text{OUT}}$ |
| Threshold Low  | -  | -   | -   | 30  | $\%V_{\text{OUT}}$ |
| Hysteresis     | -  | -   | 100 | -   | mV                 |
| Input Current  | $\text{WDI} = 6.0\text{ V}$  | -   | 0.1 | +10 | $\mu\text{A}$      |
| Pulse Width    | 50% WDI falling edge to<br>50% WDI rising edge and<br>50% WDI rising edge to<br>50% WDI falling edge, (see Figure 5) | 5.0 | -   | -   | $\mu\text{s}$      |

## WAKEUP OUTPUT ( $V_{\text{IN}} = 14\text{ V}$ , $I_{\text{OUT}} = 5.0\text{ mA}$ )

|   |   |  |   |            |               |
|---|---|--|---|------------|---------------|
| Wakeup Period   | See Figures 4 and 5, $R_{\text{DELAY}} = 60\text{ k}$<br>See Figures 4 and 5, $R_{\text{DELAY}} = 120\text{ k}$   | 18<br>-  | 25<br>50  | 32<br>-    | ms<br>ms      |
| Wakeup Duty Cycle Nominal                                     | See Figure 3  | 45   | 50  | 55         | %             |
| $\overline{\text{RESET}}$ HIGH to<br>Wakeup Rising Delay Time | $R_{\text{DELAY}} = 60\text{ k}$<br>50% $\overline{\text{RESET}}$ rising edge to<br>50% Wakeup edge, $R_{\text{DELAY}} = 120\text{ k}$<br>(see Figures 3 and 4)                   | 9.0<br>-   | 12.5<br>25  | 16<br>-    | ms<br>ms      |
| Wakeup Response to<br>Watchdog Input                          | 50% WDI falling edge to<br>50% Wakeup falling edge  | -  | 0.1   | 5.0        | $\mu\text{s}$ |
| Wakeup Response to $\overline{\text{RESET}}$                  | 50% $\overline{\text{RESET}}$ falling edge to<br>50% Wakeup falling edge.<br>$V_{\text{OUT}} = 5.0\text{ V} \rightarrow 4.5\text{ V}$   | -  | 0.1   | 5.0        | $\mu\text{s}$ |
| Output Low  | $R_{\text{LOAD}} = 10\text{ k to }V_{\text{OUT}}$ , $V_{\text{OUT}} \geq 1.0\text{ V}$<br>$R_{\text{LOAD}} = 5.1\text{ k to }V_{\text{OUT}}$ , $V_{\text{OUT}} \geq 1.0\text{ V}$ | -  | 0.2<br>0.4  | 0.4<br>0.8 | V             |
| Output High   | $R_{\text{LOAD}} = 10\text{ k to GND}$<br>$R_{\text{LOAD}} = 5.1\text{ k to GND}$   | $V_{\text{OUT}} - 0.5$<br>$V_{\text{OUT}} - 1.0$ | $V_{\text{OUT}} - 0.25$<br>$V_{\text{OUT}} - 0.5$ | -          | V             |

## DELAY

|                |   |   |      |   |   |
|----------------|---|---|------|---|---|
| Output Voltage | $I_{\text{DELAY}} = 50\ \mu\text{A}$ . Note 5 | - | 1.25 | - | V |
|----------------|---|---|------|---|---|

4. Measured when the output voltage has dropped 100 mV from the nominal value. (see Figure 12)

5. Current drain on the Delay pin directly affects the Delay Time, Wakeup Period, and the  $\overline{\text{RESET}}$  to Wakeup Delay Time.

TIMING DIAGRAMS

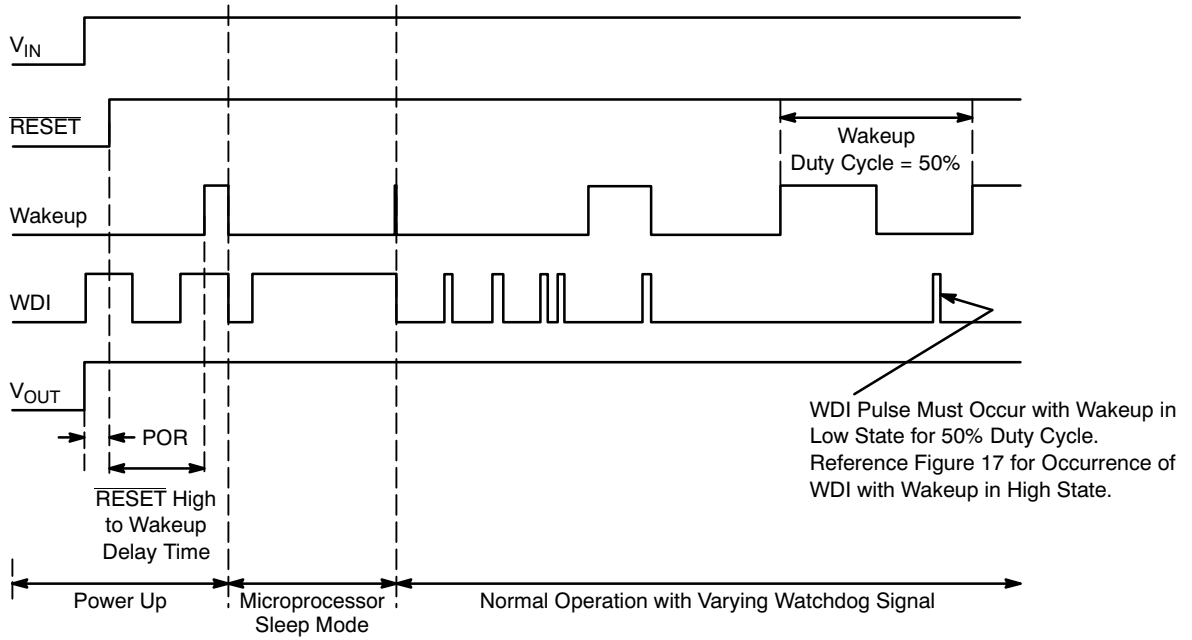


Figure 3. Power Up, Sleep Mode and Normal Operation

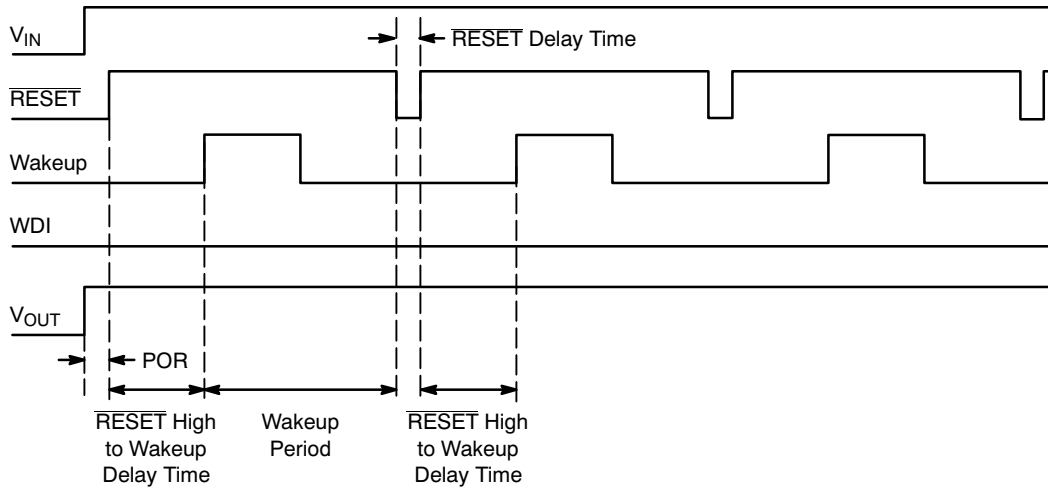


Figure 4. Error Condition: Watchdog Remains Low and a  $\overline{RESET}$  Is Issued

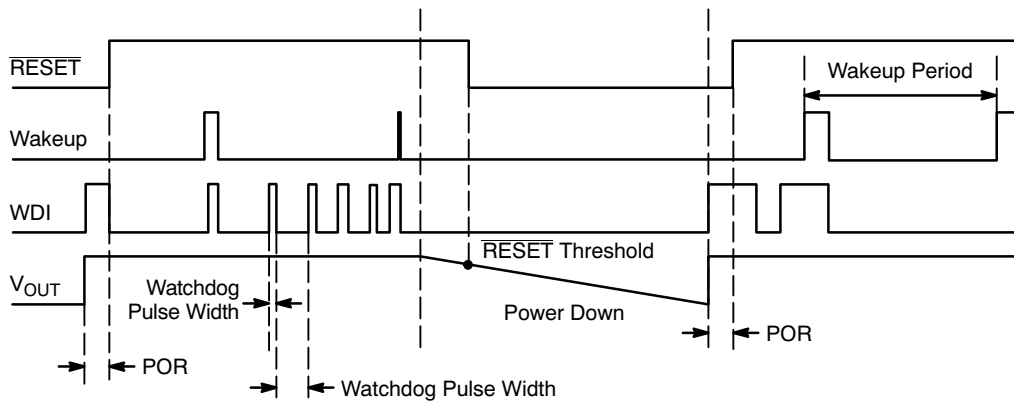


Figure 5. Power Down and Restart Sequence

TYPICAL PERFORMANCE CHARACTERISTICS

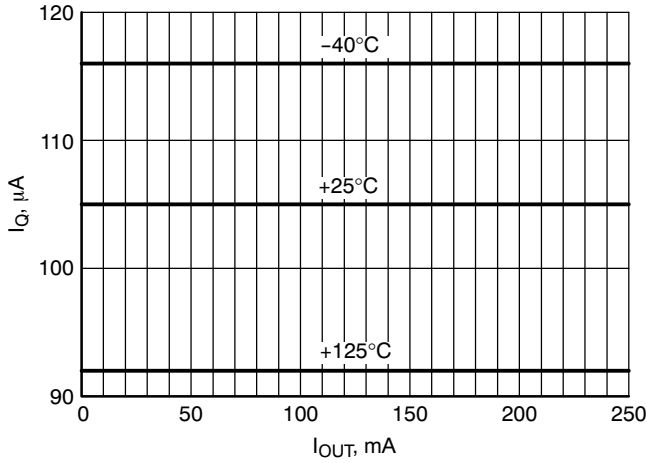


Figure 6. Quiescent Current vs Output Current

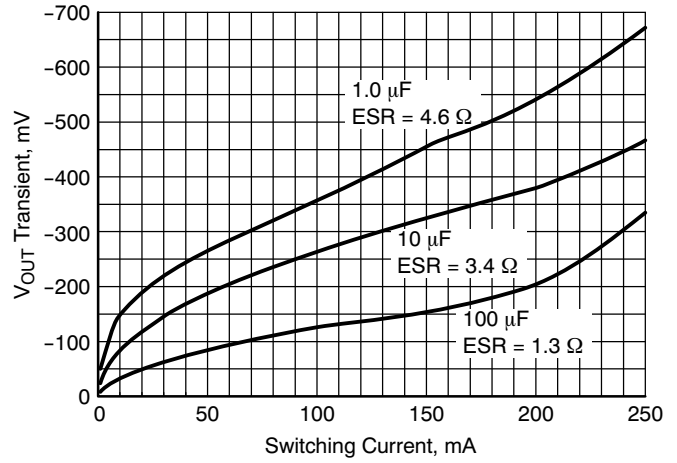


Figure 7. Load Transient Response

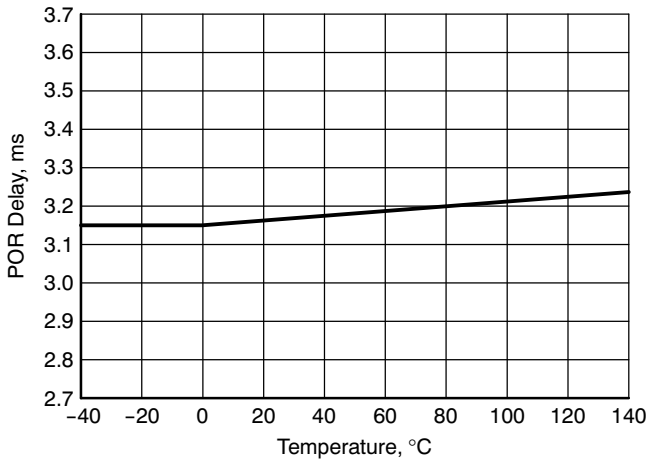


Figure 8. POR Delay vs Temp,  $R_{DELAY} = 60\text{ k}\Omega$

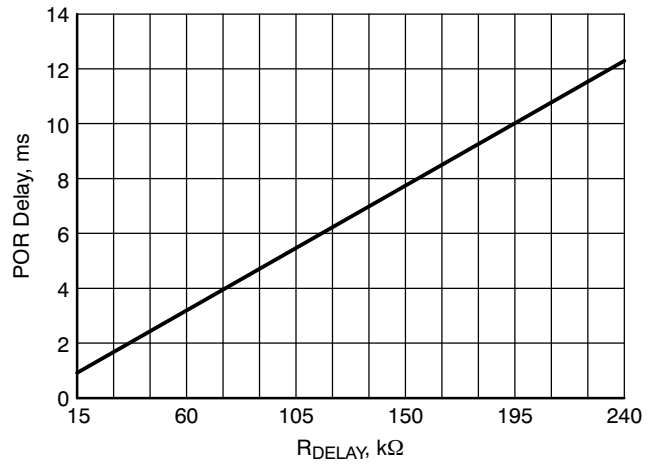


Figure 9. POR Delay vs  $R_{DELAY}$

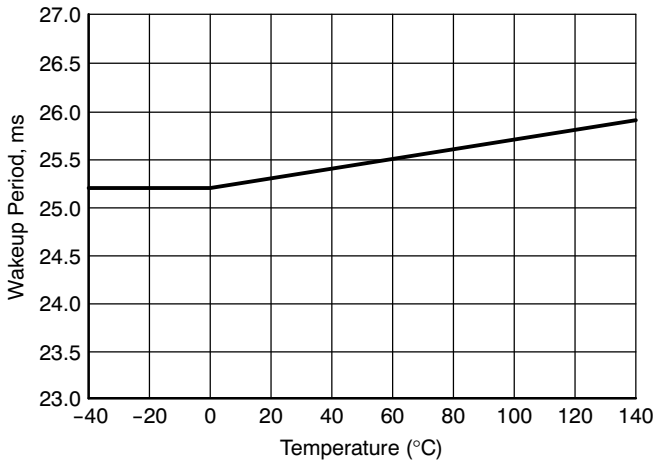


Figure 10. Wakeup Period vs Temp,  $R_{DELAY} = 60\text{ k}\Omega$

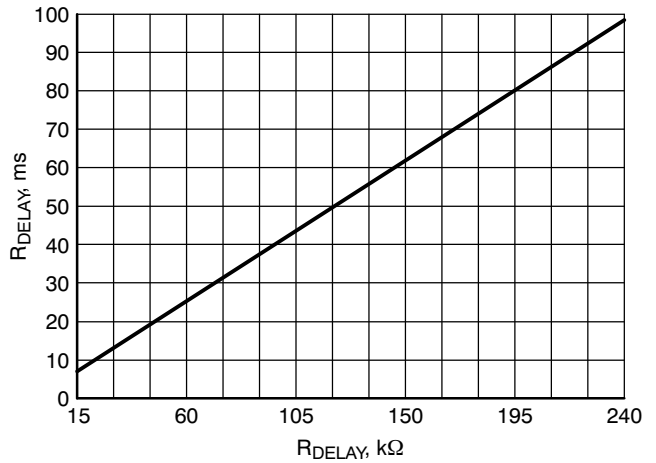


Figure 11. Wakeup Period vs  $R_{DELAY}$

TYPICAL PERFORMANCE CHARACTERISTICS

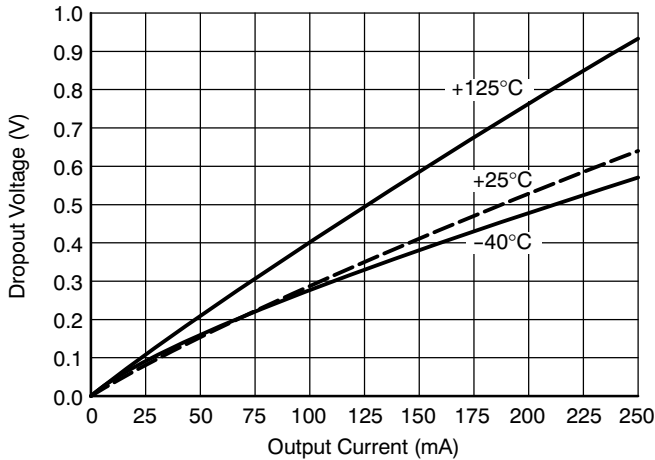


Figure 12. Dropout Voltage vs Output Current

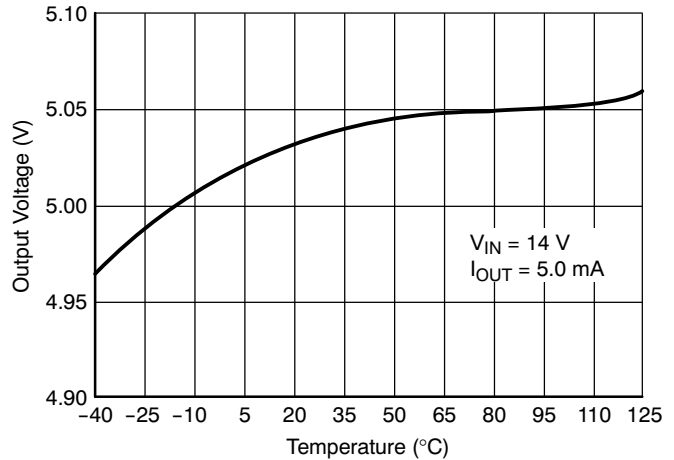


Figure 13. Output Voltage vs Temperature

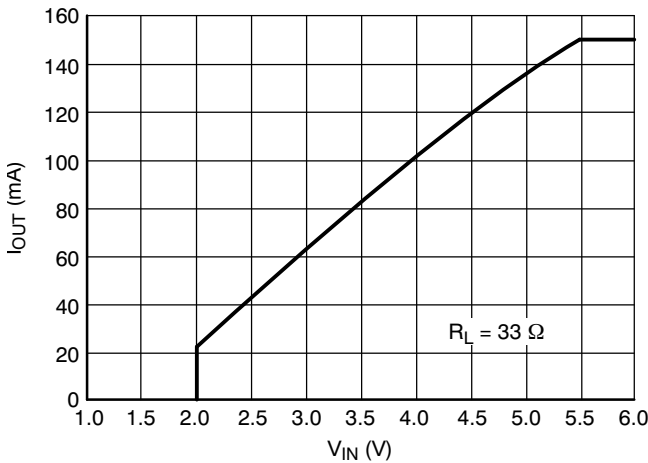


Figure 14. Output Current vs Input Voltage

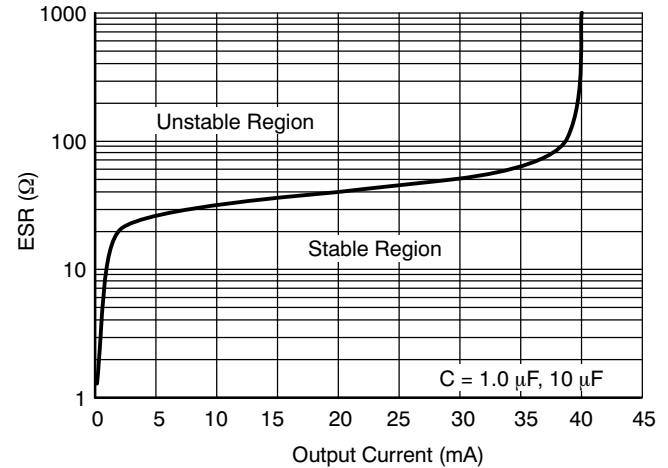


Figure 15. Output Capacitor ESR

DEFINITION OF TERMS

**Dropout Voltage:** The input-output voltage differential at which the circuit ceases to regulate against further reduction in input voltage. Measured when the output voltage has dropped 100 mV from the nominal value obtained at 14 V input, dropout voltage is dependent upon load current and junction temperature.

**Input Voltage:** The DC voltage applied to the input terminals with respect to ground.

**Line Regulation:** The change in output voltage for a change in the input voltage. The measurement is made under conditions of low dissipation or by using pulse techniques

such that the average chip temperature is not significantly affected.

**Load Regulation:** The change in output voltage for a change in load current at constant chip temperature.

**Quiescent Current:** The part of the positive input current that does not contribute to the positive load current. The regulator ground lead current.

**Ripple Rejection:** The ratio of the peak-to-peak input ripple voltage to the peak-to-peak output ripple voltage.

**Current Limit:** Peak current that can be delivered to the output.

DETAILED OPERATING DESCRIPTION

The NCV8508 is a precision micropower voltage regulator with very low quiescent current (100  $\mu$ A typical at 250 mA load). A typical dropout voltage is 450 mV at 150 mA. Microprocessor control logic includes Watchdog, Wakeup and  $\overline{\text{RESET}}$ . This unique combination of extremely low quiescent current and full microprocessor control makes the NCV8508 ideal for use in battery operated, microprocessor controlled equipment in addition to being a good fit in the automotive environment.

The NCV8508 Wakeup function brings the microprocessor out of Sleep mode. The microprocessor in turn signals its Wakeup status back to the NCV8508 by issuing a Watchdog signal.

The Watchdog logic function monitors an input signal (WDI) from the microprocessor. The NCV8508 responds to the falling edge of the Watchdog signal which it expects at least once during each Wakeup period. When the correct Watchdog signal is received, a falling edge is issued on the Wakeup signal line.

$\overline{\text{RESET}}$  is independent of  $V_{\text{IN}}$  and operates correctly to an output voltage as low as 1.0 V. A signal is issued in any of three situations. During power up, the  $\overline{\text{RESET}}$  is held low until the output voltage is in regulation. During operation, if the output voltage shifts below the regulation limits, the  $\overline{\text{RESET}}$  toggles low and remains low until proper output voltage regulation is restored. Finally, a  $\overline{\text{RESET}}$  signal is issued if the regulator does not receive a Watchdog signal within the Wakeup period.

The  $\overline{\text{RESET}}$  pulse width, Wakeup signal frequency, and Wakeup delay time are all set by one external resistor,  $R_{\text{Delay}}$ .

The Delay pin is a buffered bandgap voltage (1.25 V). It can be used as a reference for an external tracking regulator as shown in Figure 16.

The regulator is protected against short circuit and thermal runaway conditions. The device runs through 45 volt transients, making it suitable for use in automotive environments.

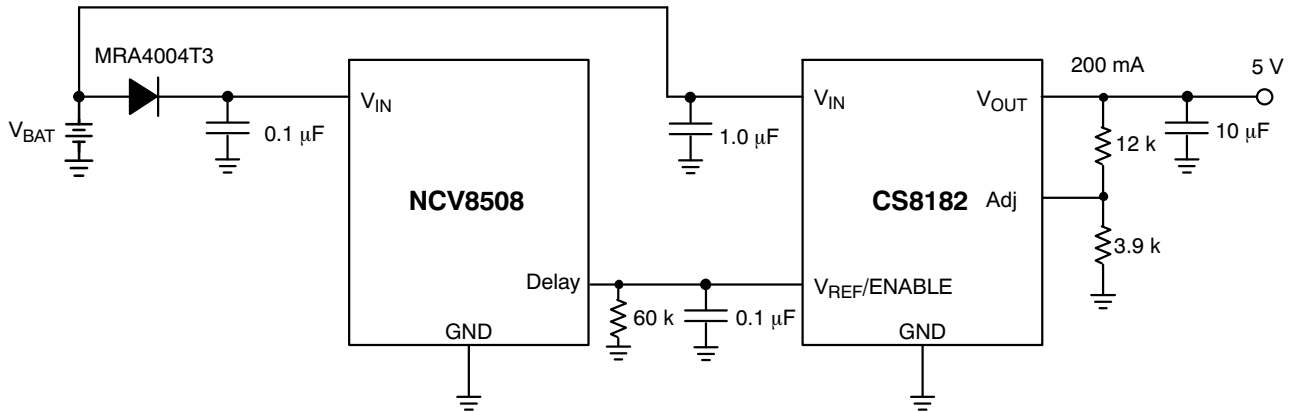


Figure 16. Application Circuit

CIRCUIT DESCRIPTION

Functional Description

To reduce the drain on the battery, a system can go into a low current consumption mode whenever it is not performing a main routine. The Wakeup signal is generated continuously and is used to interrupt a microcontroller that is in sleep mode. The nominal output is a 5.0 volt square wave (voltage generated from  $V_{OUT}$ ) with a duty cycle of 50% at a frequency that is determined by a timing resistor,  $R_{Delay}$ .

When the microprocessor receives a rising edge from the Wakeup output, it must issue a Watchdog pulse and check its inputs to decide if it should resume normal operations or remain in the sleep mode.

The first falling edge of the Watchdog signal causes the Wakeup to go low within 2.0  $\mu$ s (typ) and remain low until the next Wakeup cycle (see Figure 17). Other Watchdog pulses received within the same cycle are ignored (Figure 3).

During power up,  $\overline{RESET}$  is held low until the output voltage is in regulation. During operation, if the output voltage shifts below the regulation limits, the  $\overline{RESET}$  toggles low and remains low until proper output voltage regulation is restored. After the  $\overline{RESET}$  delay,  $\overline{RESET}$  returns high.

The Watchdog circuitry continuously monitors the input Watchdog signal (WDI) from the microprocessor. The absence of a falling edge on the Watchdog input during one Wakeup cycle will cause a  $\overline{RESET}$  pulse to occur at the end of the Wakeup cycle. (see Figure 4).

The Wakeup output is pulled low during a  $\overline{RESET}$  regardless of the cause of the  $\overline{RESET}$ . After the  $\overline{RESET}$  returns high, the Wakeup cycle begins again (see Figure 4).

The  $\overline{RESET}$  Delay Time, Wakeup signal frequency and  $\overline{RESET}$  high to Wakeup delay time are all set by one external resistor  $R_{Delay}$ .

$$\text{Wakeup Period} = (4.17 \times 10^{-7})R_{Delay}$$

$$\overline{RESET} \text{ Delay Time} = (5.21 \times 10^{-8})R_{Delay}$$

$$\overline{RESET} \text{ HIGH to Wakeup Delay Time} = (2.08 \times 10^{-7})R_{Delay}$$

Resistor temperature coefficient and tolerance as well as the tolerance of the NCV8508 must be taken into account in order to get the correct system tolerance for each parameter.

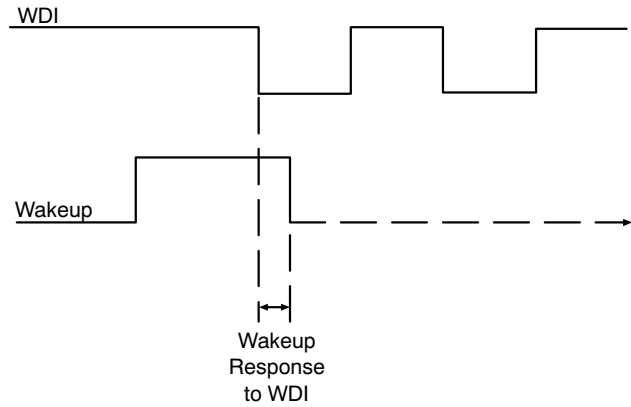


Figure 17. Wakeup Response to WDI

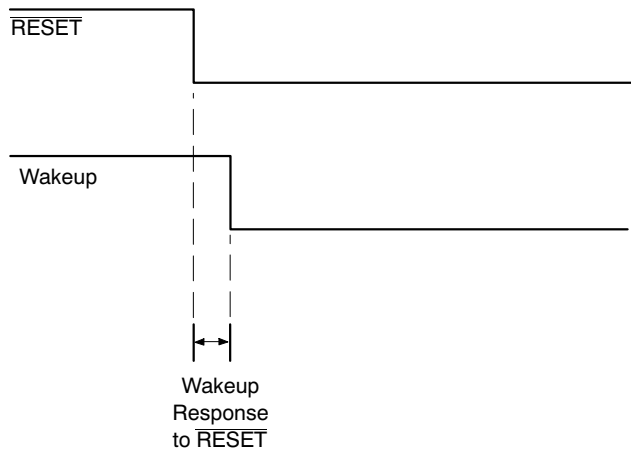


Figure 18. Wakeup Response to  $\overline{RESET}$  (Low Voltage)

# NCV8508

## THERMAL DATA

### Recommend Thermal Data for SOIC-16 Package

| Parameter   | Test Conditions Typical Value |                       | Units |
|---|-------------------------------|-----------------------|-------|
|   | min-pad board (Note 6)        | 1"-pad board (Note 7) |       |
| Junction-to-Lead ( $\psi_{JL}$ , $\Psi_{JL}$ )          | 20                            | 15                    | °C/W  |
| Junction-to-Ambient ( $R_{\theta JA}$ , $\theta_{JA}$ ) | 100                           | 83                    | °C/W  |

6. 1 oz. copper, 94 mm<sup>2</sup> copper area, 0.062" thick FR4.

7. 1 oz. copper, 767 mm<sup>2</sup> copper area, 0.062" thick FR4.

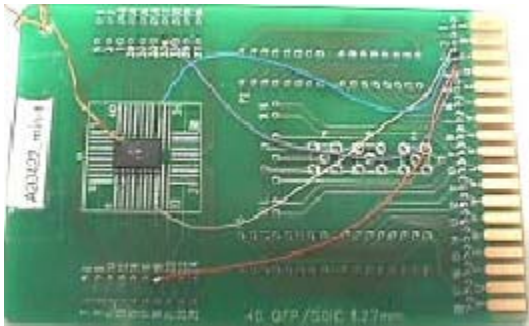


Figure 19. Min Pad PCB Layout

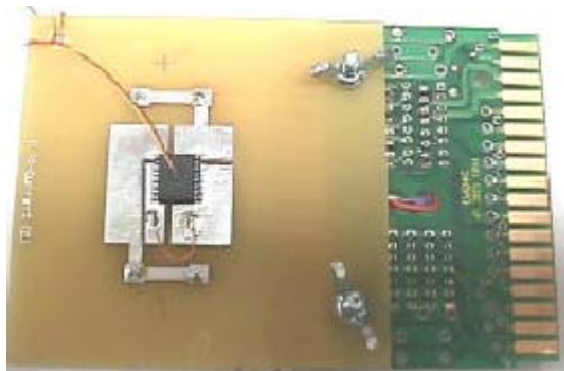


Figure 20. Min Pad PCB Layout

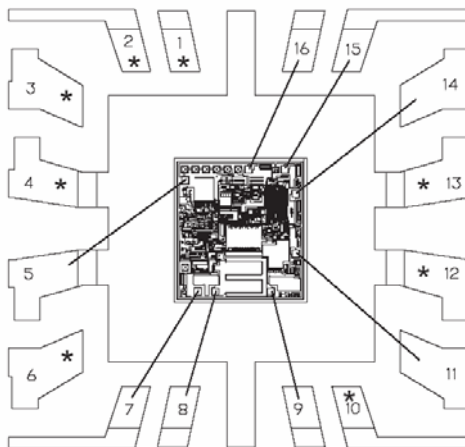


Figure 21. Internal Construction of the Package (notice pins 4, 5 and 12, 13 are connected to flag)

Table 1. SOIC 16-Lead Thermal RC Network Models

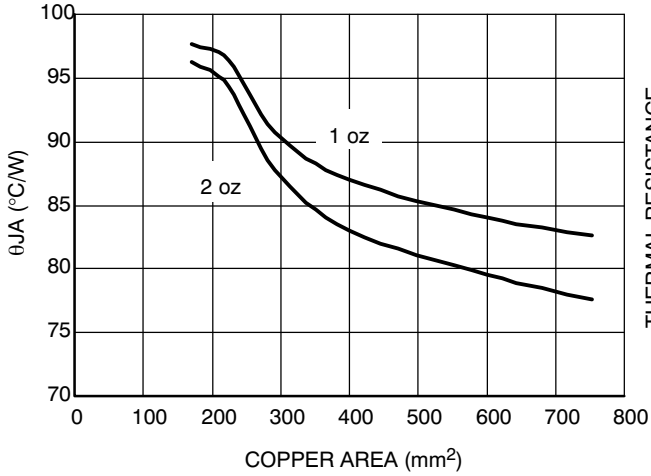
|   | 96 mm <sup>2</sup> | 767 mm <sup>2</sup> |       | 96 mm <sup>2</sup> | 767 mm <sup>2</sup> | Cu Area |
|---|--------------------|---------------------|-------|--------------------|---------------------|---------|
|   | Cauer network      |                     |       | Foster network     |                     |         |
|   | C's                | C's                 | Units | Tau                | Tau                 | units   |
| 1 | <b>1.84E-06</b>    | <b>1.84E-06</b>     | W-s/C | 2.99E-07           | 2.99E-07            | sec     |
| 2 | <b>8.69E-06</b>    | <b>8.69E-06</b>     | W-s/C | 4.40E-06           | 4.40E-06            | sec     |
| 3 | <b>2.61E-05</b>    | <b>2.61E-05</b>     | W-s/C | 4.62E-05           | 4.62E-05            | sec     |
| 4 | <b>8.98E-05</b>    | <b>8.98E-05</b>     | W-s/C | 5.08E-04           | 5.08E-04            | sec     |
| 5 | <b>2.30E-03</b>    | <b>2.30E-03</b>     | W-s/C | 8.93E-03           | 8.95E-03            | sec     |
| 6 | <b>2.99E-02</b>    | <b>3.07E-02</b>     | W-s/C | 2.04E-01           | 2.19E-01            | sec     |
| 7 | 1.79E-01           | 1.90E-01            | W-s/C | 3.26E+00           | 2.75E+00            | sec     |
| 8 | 7.79E-01           | 9.94E-01            | W-s/C | 3.21E+01           | 2.19E+01            | sec     |
| 9 | 5.34E+00           | 3.98E+00            | W-s/C | 1.24E+02           | 1.20E+02            | sec     |
|   |                    |                     |       |                    |                     |         |
|   | R's                | R's                 |       | R's                | R's                 |         |
| 1 | <b>0.199</b>       | <b>0.199</b>        | C/W   | <b>0.123</b>       | <b>0.123</b>        | C/W     |
| 2 | <b>0.598</b>       | <b>0.598</b>        | C/W   | <b>0.349</b>       | <b>0.349</b>        | C/W     |
| 3 | <b>1.795</b>       | <b>1.795</b>        | C/W   | <b>1.057</b>       | <b>1.057</b>        | C/W     |
| 4 | <b>4.085</b>       | <b>4.085</b>        | C/W   | 4.61               | 4.61                | C/W     |
| 5 | <b>3.977</b>       | <b>3.977</b>        | C/W   | 3.87               | 3.89                | C/W     |
| 6 | <b>7.509</b>       | <b>7.833</b>        | C/W   | 5.77               | 5.99                | C/W     |
| 7 | 19.886             | 15.247              | C/W   | 13.17              | 11.38               | C/W     |
| 8 | 40.307             | 24.781              | C/W   | 28.85              | 15.52               | C/W     |
| 9 | 18.193             | 21.446              | C/W   | 38.75              | 37.05               | C/W     |

NOTE: Bold face items in the Cauer network above, represent the package without the external thermal system. The Bold face items in the Foster network are computed by the square root of time constant  $R(t) = 225 * \text{sqrt}(\text{time}(\text{sec}))$ . The constant is derived based on the active area of the device with silicon and epoxy at the interface of the heat generation.

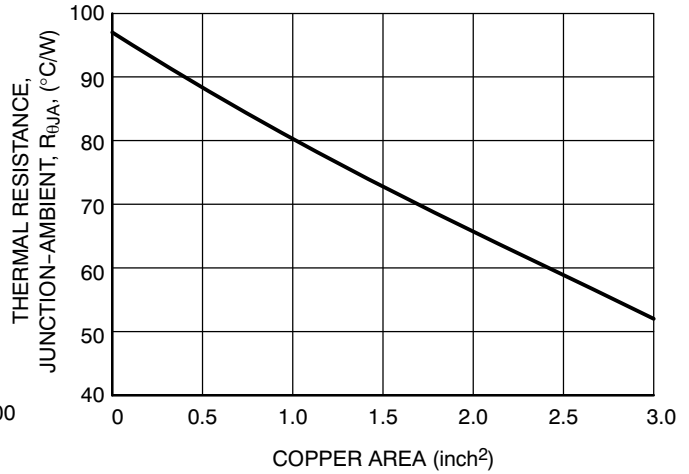
The Cauer networks generally have physical significance and may be divided between nodes to separate thermal behavior due to one portion of the network from another. The Foster networks, though when sorted by time constant (as above) bear a rough correlation with the Cauer networks, are really only convenient mathematical models. Cauer networks can be easily implemented using circuit simulating tools, whereas Foster networks may be more easily implemented using mathematical tools (for instance, in a spreadsheet program), according to the following formula:

$$R(t) = \sum_{i=1}^n R_i (1 - e^{-t/\tau_{i,j}})$$

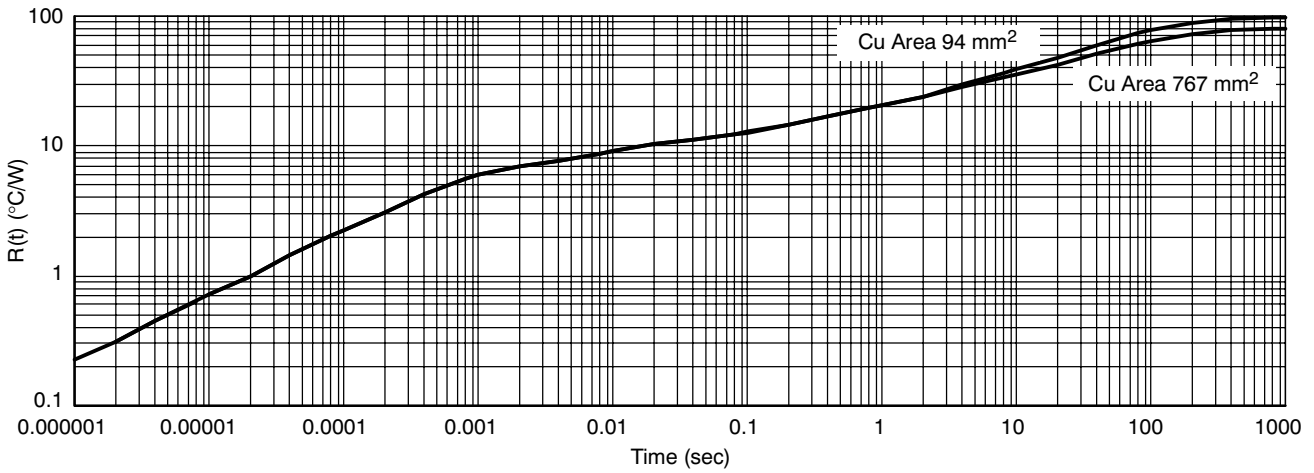
**$\theta_{JA}$  vs Copper Spreader Area**



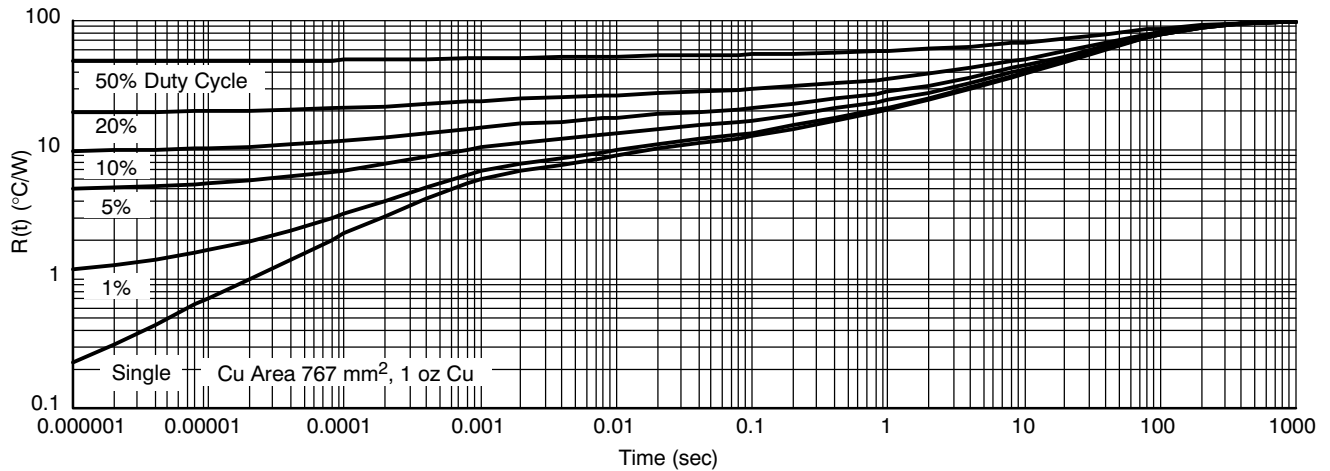
**Figure 22. SOIC 16-Lead  $\theta_{JA}$  as a Function of the Pad Copper Area Including Traces, Board Material**



**Figure 23. 16 Lead SOW (4 Leads Fused),  $\theta_{JA}$  as a Function of the Pad Copper Area (2 oz. Cu Thickness), Board Material = 0.0625" G-10/R-4**

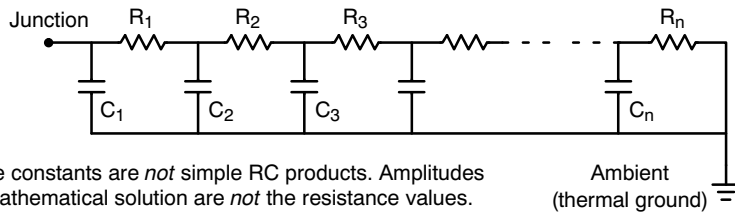


**Figure 24. SOIC 16-Lead Single Pulse Heating Curve**



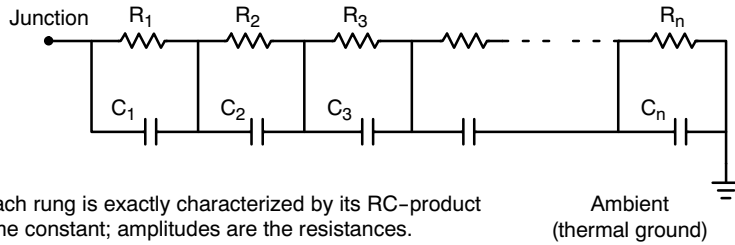
**Figure 25. SOIC 16-Lead Thermal Duty Cycle Curves on 1" Spreader Test Board**

# NCV8508



Time constants are *not* simple RC products. Amplitudes of mathematical solution are *not* the resistance values.

**Figure 26. Grounded Capacitor Thermal Network (“Cauer” Ladder)**



Each rung is exactly characterized by its RC-product time constant; amplitudes are the resistances.

**Figure 27. Non-Grounded Capacitor Thermal Ladder (“Foster” Ladder)**

Recommend Thermal Data for D<sup>2</sup>PAK-7 Package

| Parameter   | Test Conditions Typical Value |                       | Units |
|---|-------------------------------|-----------------------|-------|
|   | min-pad board (Note 8)        | 1"-pad board (Note 9) |       |
| Junction-to-Lead ( $\psi_{JL}$ , $\Psi_{JL}$ )          | 6.0                           | 6.0                   | °C/W  |
| Junction-to-Ambient ( $R_{\theta JA}$ , $\theta_{JA}$ ) | 78                            | 44                    | °C/W  |

- 8. 1 oz. copper, 118 mm<sup>2</sup> copper area, 0.062" thick FR4.
- 9. 1 oz. copper, 626 mm<sup>2</sup> copper area, 0.062" thick FR4.

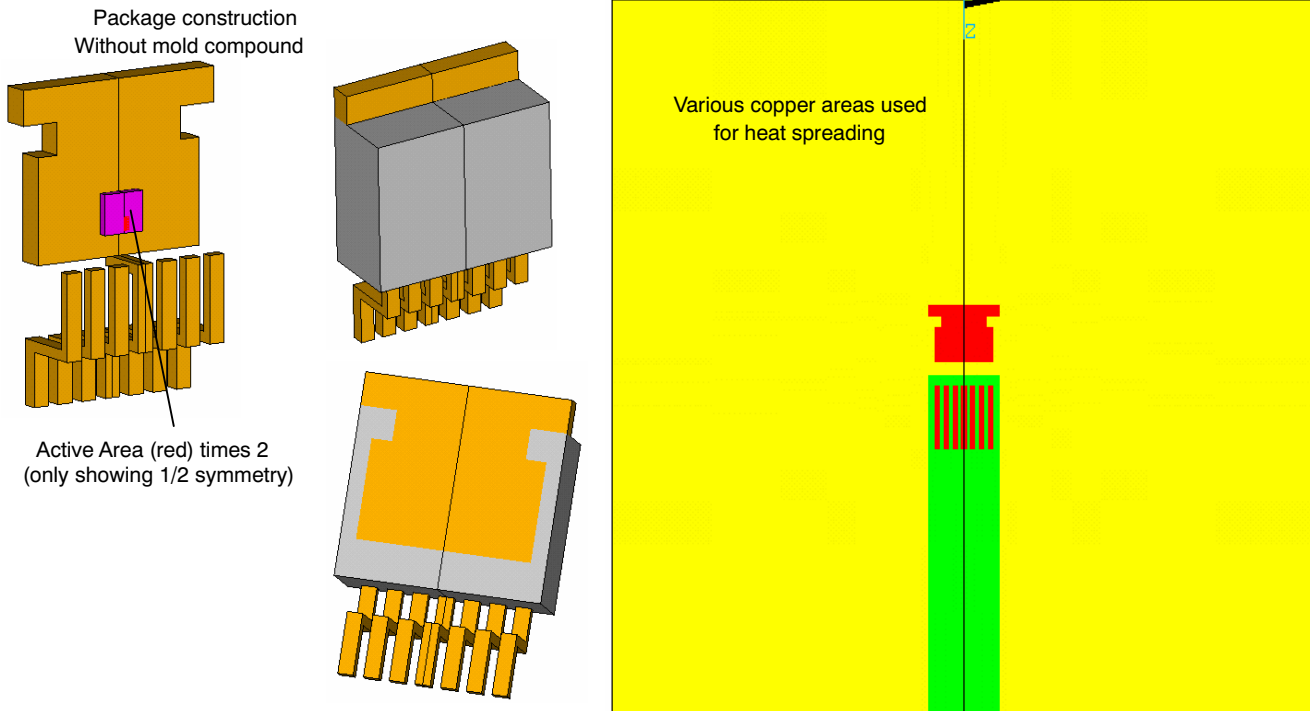


Figure 28. PCB Layout and Package Construction for Simulation

# NCV8508

**Table 2. D<sup>2</sup>PAK 7-Lead Thermal RC Network Models**

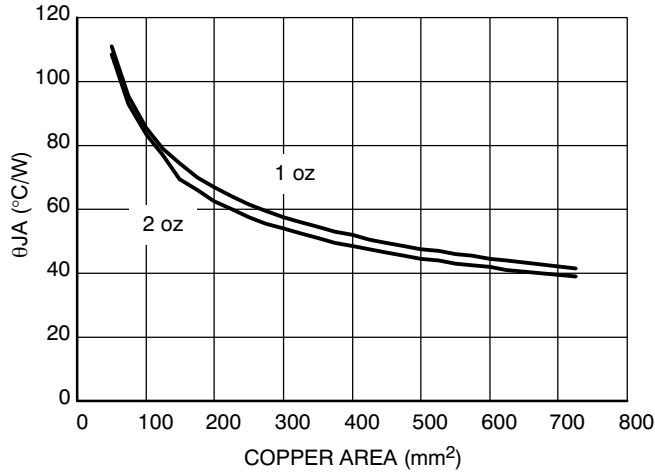
|    | 118 mm <sup>2</sup> | 626 mm <sup>2</sup> |       | 118 mm <sup>2</sup> | 626 mm <sup>2</sup> | Cu Area |
|----|---------------------|---------------------|-------|---------------------|---------------------|---------|
|    | Cauer Network       |                     |       | Foster Network      |                     |         |
|    | C's                 | C's                 | Units | Tau                 | Tau                 | units   |
| 1  | 1.45E-06            | 1.45E-06            | W-s/C | 1.00E-07            | 1.00E-07            | sec     |
| 2  | 5.55E-06            | 5.58E-06            | W-s/C | 1.00E-06            | 1.00E-06            | sec     |
| 3  | 1.57E-05            | 1.59E-05            | W-s/C | 1.00E-05            | 1.00E-05            | sec     |
| 4  | 5.11E-05            | 5.22E-05            | W-s/C | 0.000               | 0.000               | sec     |
| 5  | 3.48E-04            | 5.94E-04            | W-s/C | 0.001               | 0.002               | sec     |
| 6  | 1.07E-02            | 6.62E-02            | W-s/C | 0.006               | 0.029               | sec     |
| 7  | 2.65E-02            | 1.55E-01            | W-s/C | 0.020               | 0.080               | sec     |
| 8  | 0.524               | 0.413               | W-s/C | 1.43                | 2.63                | sec     |
| 9  | 0.490               | 2.441               | W-s/C | 6.52                | 3.6                 | sec     |
| 10 | 0.843               | 0.410               | W-s/C | 104.512             | 95.974              | sec     |
|    |                     |                     |       |                     |                     |         |
|    | R's                 | R's                 |       | R's                 | R's                 |         |
| 1  | 0.089               | 0.089               | C/W   | 5.25E-02            | 5.25E-02            | C/W     |
| 2  | 0.210               | 0.208               | C/W   | 1.14E-01            | 1.14E-01            | C/W     |
| 3  | 0.637               | 0.624               | C/W   | 3.59E-01            | 3.59E-01            | C/W     |
| 4  | 1.899               | 2.107               | C/W   | 1.5                 | 1.9                 | C/W     |
| 5  | 1.883               | 2.454               | C/W   | 2.6                 | 3.0                 | C/W     |
| 6  | 1.398               | 0.952               | C/W   | 0.1                 | 0.1                 | C/W     |
| 7  | 0.315               | 0.360               | C/W   | 1.7                 | 0.9                 | C/W     |
| 8  | 14.348              | 7.042               | C/W   | 0.1                 | 0.1                 | C/W     |
| 9  | 5.621               | 20.823              | C/W   | 7.2                 | 4.6                 | C/W     |
| 10 | 51.986              | 9.649               | C/W   | 64.8                | 33.3                | C/W     |

NOTE: Bold face items in the Cauer network above, represent the package without the external thermal system. The Bold face items in the Foster network are computed by the square root of time constant  $R(t) = 166 * \text{sqrt}(\text{time}(\text{sec}))$ . The constant is derived based on the active area of the device with silicon and epoxy at the interface of the heat generation.

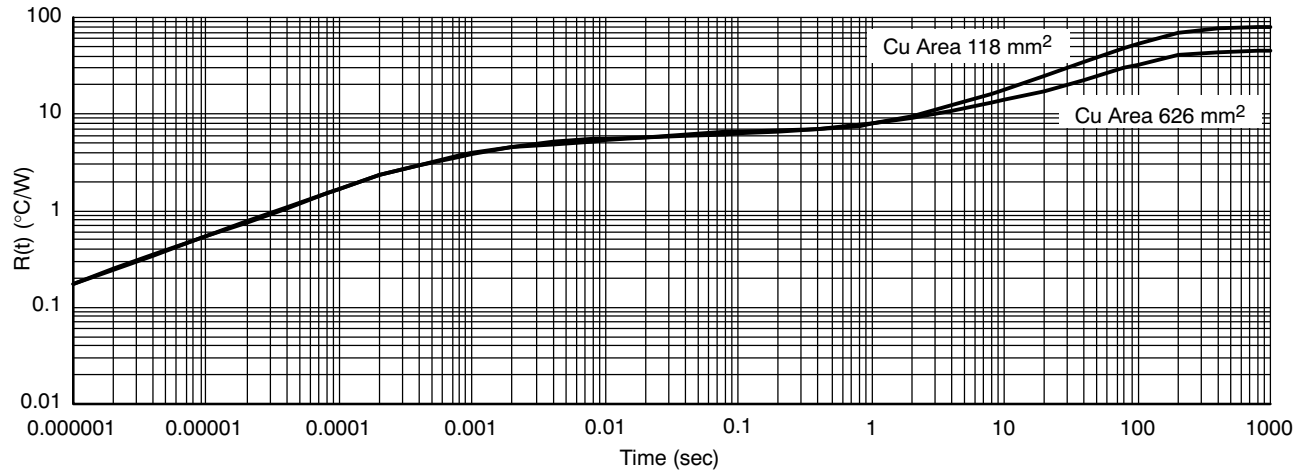
The Cauer networks generally have physical significance and may be divided between nodes to separate thermal behavior due to one portion of the network from another. The Foster networks, though when sorted by time constant (as above) bear a rough correlation with the Cauer networks, are really only convenient mathematical models. Cauer networks can be easily implemented using circuit simulating tools, whereas Foster networks may be more easily implemented using mathematical tools (for instance, in a spreadsheet program), according to the following formula:

$$R(t) = \sum_{i=1}^n R_i (1 - e^{-t/\tau_i})$$

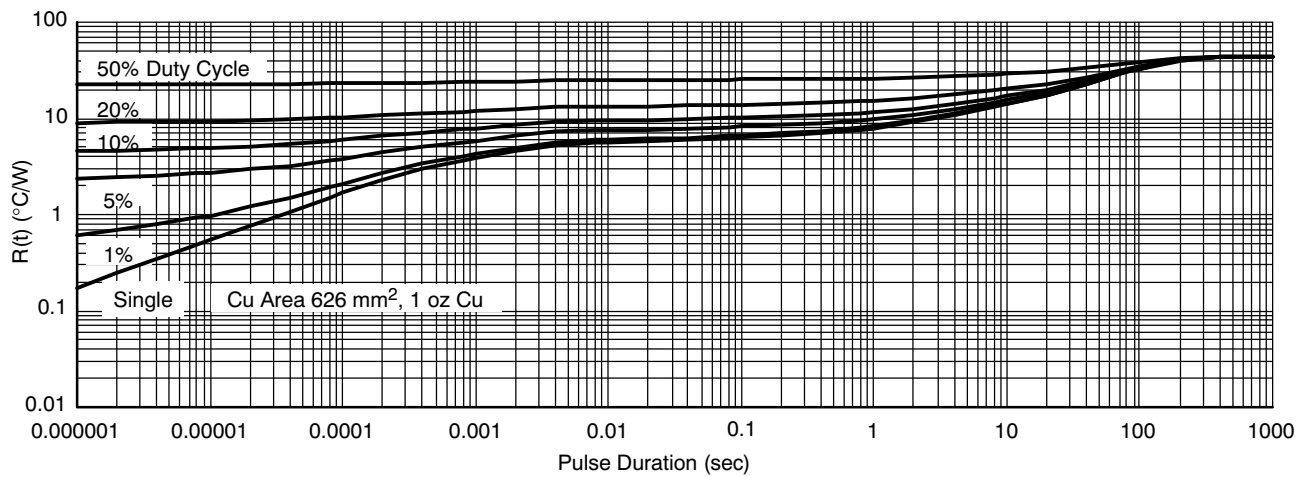
**$\theta$ JA vs Copper Spreader Area**



**Figure 29. D<sup>2</sup>PAK 7-lead  $\theta$ JA as a Function of the Pad Copper Area Including Traces, Board Material**

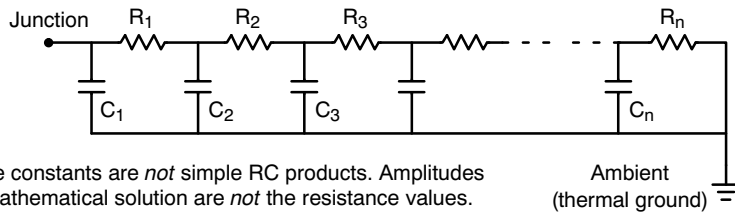


**Figure 30. D<sup>2</sup>PAK 7-Lead Single Pulse Heating Curve**



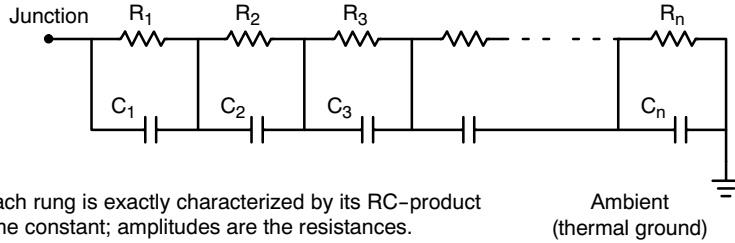
**Figure 31. D<sup>2</sup>PAK 7-Lead Thermal Duty Cycle Curves on 1" Spreader Test Board**

# NCV8508



Time constants are *not* simple RC products. Amplitudes of mathematical solution are *not* the resistance values.

**Figure 32. Grounded Capacitor Thermal Network (“Cauer” Ladder)**



Each rung is exactly characterized by its RC-product time constant; amplitudes are the resistances.

**Figure 33. Non-Grounded Capacitor Thermal Ladder (“Foster” Ladder)**

Recommend Thermal Data for SOIC-8 EP Package

| Parameter   | Test Conditions Typical Value |                        | Units |
|---|-------------------------------|------------------------|-------|
|   | min-pad board (Note 10)       | 1"-pad board (Note 11) |       |
| Junction-to-Lead (psi-JL, $\Psi_{JL}$ )                 | 64                            | 54                     | °C/W  |
| Junction-to-Lead (psi-JPad, $\Psi_{Jp}$ )               | 14                            | 11                     | °C/W  |
| Junction-to-Ambient ( $R_{\theta JA}$ , $\theta_{JA}$ ) | 122                           | 84                     | °C/W  |

10.1 oz. copper, 54 mm<sup>2</sup> copper area, 0.062" thick FR4.  
 11.1 oz. copper, 717 mm<sup>2</sup> copper area, 0.062" thick FR4.

8-SOIC EP Half Symmetry

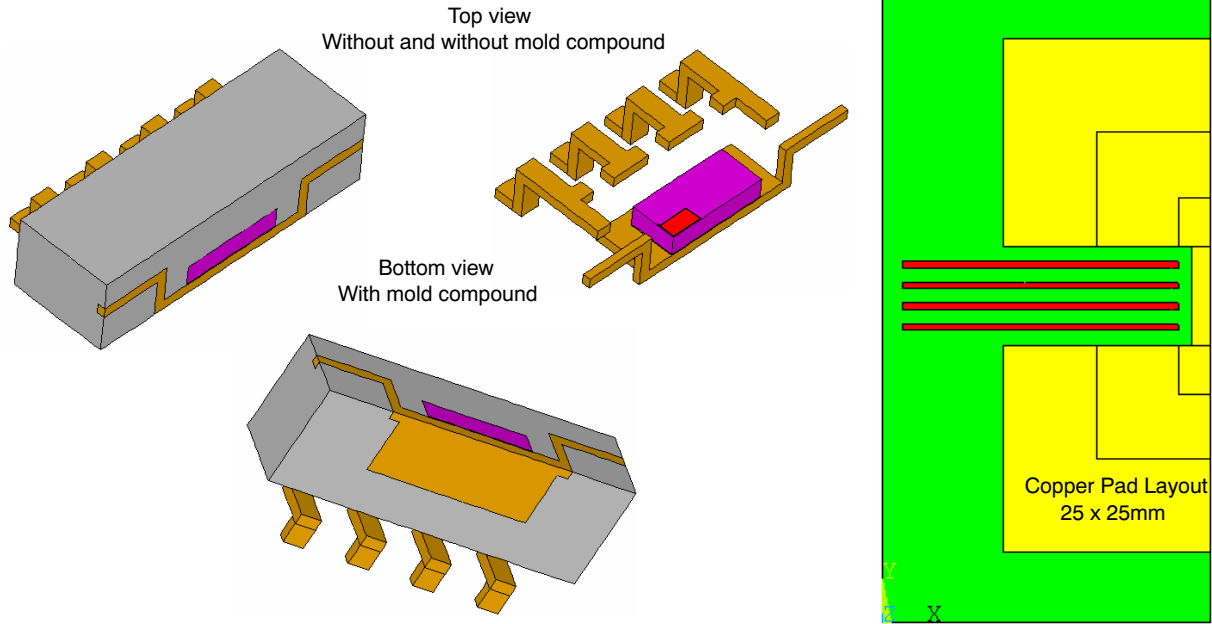


Figure 34. Internal Construction of the Package and PCB Layout for Multiple Pad Area

Table 3. SOIC 8-Lead EP Thermal RC Network Models

|    | 54 mm <sup>2</sup> | 717 mm <sup>2</sup> |       | 54 mm <sup>2</sup> | 717 mm <sup>2</sup> | Cu Area |
|----|--------------------|---------------------|-------|--------------------|---------------------|---------|
|    | Cauer Network      |                     |       | Foster Network     |                     |         |
|    | C's                | C's                 | Units | Tau                | Tau                 | units   |
| 1  | <b>2.28E-06</b>    | <b>2.28E-06</b>     | W-s/C | 2.99E-07           | 2.99E-07            | sec     |
| 2  | <b>1.08E-05</b>    | <b>1.08E-05</b>     | W-s/C | 4.40E-06           | 4.40E-06            | sec     |
| 3  | <b>3.24E-05</b>    | <b>3.24E-05</b>     | W-s/C | 4.36E-05           | 4.36E-05            | sec     |
| 4  | <b>9.71E-05</b>    | <b>9.71E-05</b>     | W-s/C | 3.59E-04           | 3.74E-04            | sec     |
| 5  | <b>6.28E-04</b>    | <b>7.55E-04</b>     | W-s/C | 3.17E-03           | 4.59E-03            | sec     |
| 6  | <b>7.13E-03</b>    | <b>1.49E-02</b>     | W-s/C | 0.030              | 0.162               | sec     |
| 7  | 1.54E-02           | 9.28E-02            | W-s/C | 0.341              | 0.473               | sec     |
| 8  | 6.16E-02           | 1.72E-01            | W-s/C | 2.909              | 1.653               | sec     |
| 9  | 1.94E-01           | 3.83E-01            | W-s/C | 16.126             | 8.488               | sec     |
| 10 | 1.52E+00           | 2.41E+00            | W-s/C | 54.334             | 71.562              | sec     |
|    |                    |                     |       |                    |                     |         |
|    | R's                | R's                 |       | R's                | R's                 |         |
| 1  | <b>0.161</b>       | <b>0.161</b>        | C/W   | <b>0.11</b>        | <b>0.11</b>         | C/W     |
| 2  | <b>0.482</b>       | <b>0.482</b>        | C/W   | <b>0.26</b>        | <b>0.26</b>         | C/W     |
| 3  | <b>1.445</b>       | <b>1.445</b>        | C/W   | <b>0.73</b>        | <b>0.73</b>         | C/W     |
| 4  | <b>3.00</b>        | <b>3.00</b>         | C/W   | 2.60               | 2.83                | C/W     |
| 5  | <b>4.47</b>        | <b>5.34</b>         | C/W   | 4.80               | 5.82                | C/W     |
| 6  | <b>5.92</b>        | <b>12.21</b>        | C/W   | 2.98               | 8.95                | C/W     |
| 7  | 20.11              | 16.03               | C/W   | 12.20              | 0.61                | C/W     |
| 8  | 51.85              | 4.89                | C/W   | 26.10              | 12.91               | C/W     |
| 9  | 68.87              | 15.34               | C/W   | 62.22              | 16.96               | C/W     |
| 10 | 27.52              | 22.36               | C/W   | 71.83              | 32.09               | C/W     |

NOTE: Bold face items in the Cauer network above, represent the package without the external thermal system. The Bold face items in the Foster network are computed by the square root of time constant  $R(t) = 225 * \text{sqrt}(\text{time}(\text{sec}))$ . The constant is derived based on the active area of the device with silicon and epoxy at the interface of the heat generation.

The Cauer networks generally have physical significance and may be divided between nodes to separate thermal behavior due to one portion of the network from another. The Foster networks, though when sorted by time constant (as above) bear a rough correlation with the Cauer networks, are really only convenient mathematical models. Cauer networks can be easily implemented using circuit simulating tools, whereas Foster networks may be more easily implemented using mathematical tools (for instance, in a spreadsheet program), according to the following formula:

$$R(t) = \sum_{i=1}^n R_i (1 - e^{-t/\tau_i})$$

$\theta_{JA}$  vs Copper Spreader Area

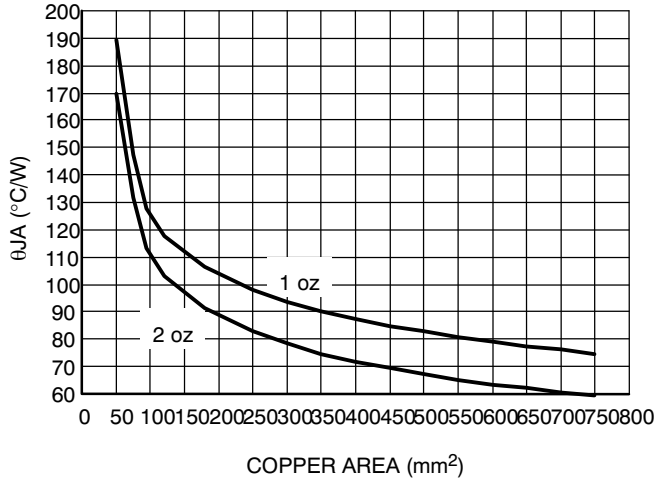


Figure 35. SOIC 8-Lead EP  $\theta_{JA}$  as a Function of the Pad Copper Area Including Traces, Board Material

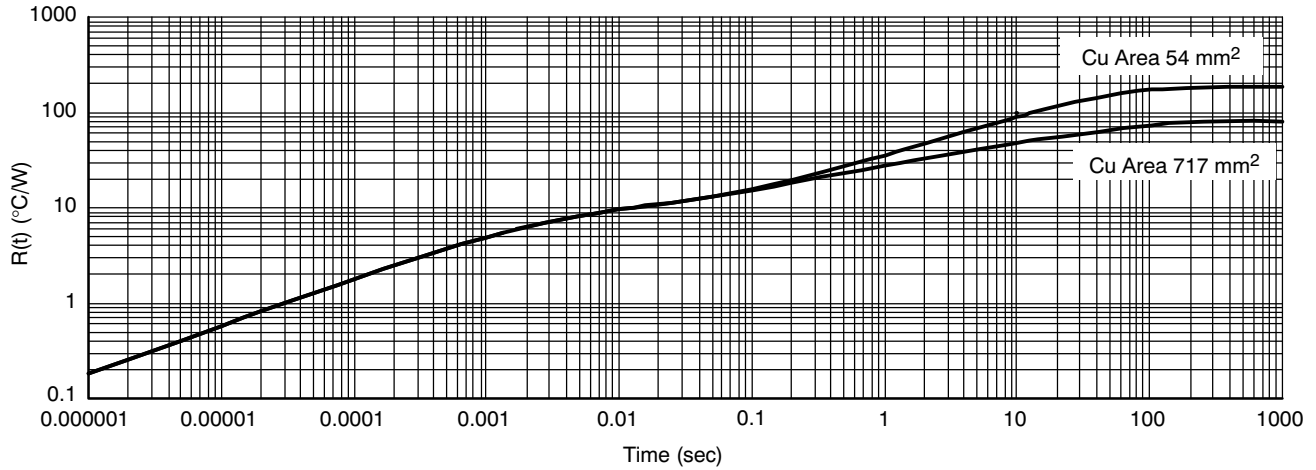


Figure 36. SOIC 8-Lead EP Single Pulse Heating Curve

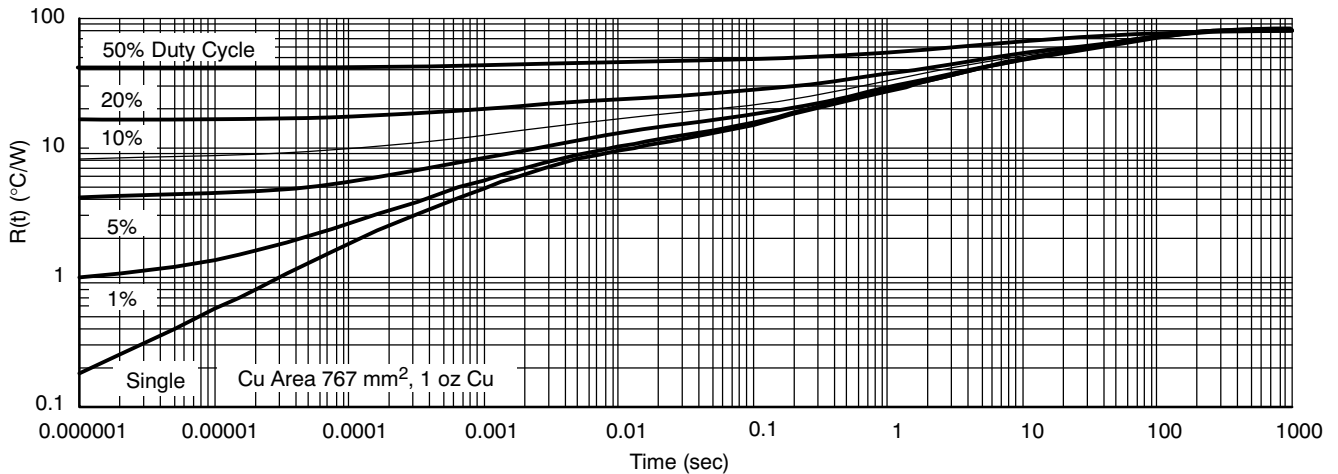
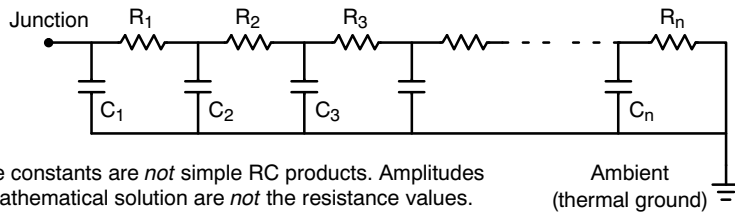


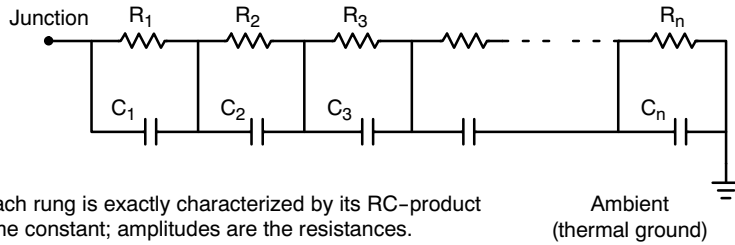
Figure 37. SOIC 8-Lead Thermal Duty Cycle Curves on 1" Spreader Test Board

# NCV8508



Time constants are *not* simple RC products. Amplitudes of mathematical solution are *not* the resistance values.

**Figure 38. Grounded Capacitor Thermal Network (“Cauer” Ladder)**



Each rung is exactly characterized by its RC-product time constant; amplitudes are the resistances.

**Figure 39. Non-Grounded Capacitor Thermal Ladder (“Foster” Ladder)**

APPLICATION NOTES

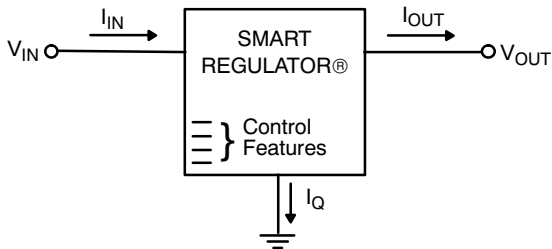
**Calculating Power Dissipation in a Single Output Linear Regulator**

The maximum power dissipation for a single output regulator (Figure 40) is:

$$P_{D(max)} = [V_{IN(max)} - V_{OUT(min)}]I_{OUT(max)} + V_{IN(max)}I_Q \quad (1)$$

where:

- $V_{IN(max)}$  is the maximum input voltage,
- $V_{OUT(min)}$  is the minimum output voltage,
- $I_{OUT(max)}$  is the maximum output current for the application, and
- $I_Q$  is the quiescent current the regulator consumes at  $I_{OUT(max)}$ .



**Figure 40. Single Output Regulator with Key Performance Parameters Labeled**

Once the value of  $P_{D(max)}$  is known, the maximum permissible value of  $R_{\theta JA}$  can be calculated:

$$R_{\theta JA} = \frac{150^{\circ}\text{C} - T_A}{P_D} \quad (2)$$

The value of  $R_{\theta JA}$  can then be compared with those in the package section of the data sheet. Those packages with  $R_{\theta JA}$ s less than the calculated value in Equation 2 will keep the die temperature below 150°C.

In some cases, none of the packages will be sufficient to dissipate the heat generated by the IC, and an external heatsink will be required.

**Heatsinks**

A heatsink effectively increases the surface area of the package to improve the flow of heat away from the IC and into the surrounding air.

Each material in the heat flow path between the IC and the outside environment will have a thermal resistance. Like series electrical resistances, these resistances are summed to determine the value of  $R_{\theta JA}$ :

$$R_{\theta JA} = R_{\theta JC} + R_{\theta CS} + R_{\theta SA} \quad (3)$$

where:

- $R_{\theta JC}$  = the junction-to-case thermal resistance,
- $R_{\theta CS}$  = the case-to-heatsink thermal resistance, and
- $R_{\theta SA}$  = the heatsink-to-ambient thermal resistance.

$R_{\theta JC}$  appears in the package section of the data sheet. Like  $R_{\theta JA}$ , it too is a function of package type.  $R_{\theta CS}$  and  $R_{\theta SA}$  are functions of the package type, heatsink and the interface between them. These values appear in data sheets of heatsink manufacturers.

# NCV8508

## ORDERING INFORMATION

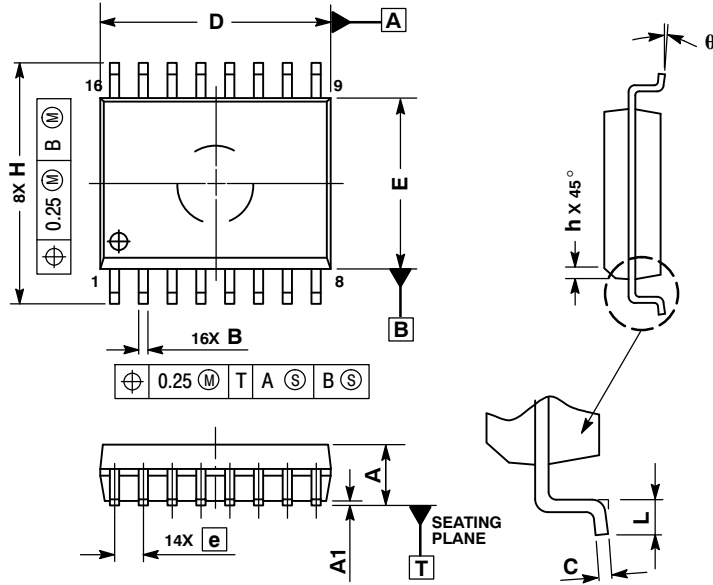
| Device          | Output Voltage | Package                           | Shipping†          |
|-----------------|----------------|-----------------------------------|--------------------|
| NCV8508DW50     | 5.0 V          | SO-16L                            | 47 Units / Rail    |
| NCV8508DW50G    | 5.0 V          | SO-16L<br>(Pb-Free)               | 47 Units / Rail    |
| NCV8508DW50R2   | 5.0 V          | SO-16L                            | 1000 / Tape & Reel |
| NCV8508DW50R2G  | 5.0 V          | SO-16L<br>(Pb-Free)               | 1000 / Tape & Reel |
| NCV8508D2T50    | 5.0 V          | D <sup>2</sup> PAK-7              | 50 Units / Rail    |
| NCV8508D2T50G   | 5.0 V          | D <sup>2</sup> PAK-7<br>(Pb-Free) | 50 Units / Rail    |
| NCV8508D2T50R4  | 5.0 V          | D <sup>2</sup> PAK-7              | 750 / Tape & Reel  |
| NCV8508D2T50R4G | 5.0 V          | D <sup>2</sup> PAK-7<br>(Pb-Free) | 750 / Tape & Reel  |
| NCV8508PD50     | 5.0 V          | SO-8 EP                           | 98 Units / Rail    |
| NCV8508PD50G    | 5.0 V          | SO-8 EP<br>(Pb-Free)              | 98 Units / Rail    |
| NCV8508PD50R2   | 5.0 V          | SO-8 EP                           | 2500 / Tape & Reel |
| NCV8508PD50R2G  | 5.0 V          | SO-8 EP<br>(Pb-Free)              | 2500 / Tape & Reel |

†For information on tape and reel specifications, including part orientation and tape sizes, please refer to our Tape and Reel Packaging Specifications Brochure, BRD8011/D.

# NCV8508

## PACKAGE DIMENSIONS

SO-16L  
DW SUFFIX  
CASE 751G-03  
ISSUE C



### NOTES:

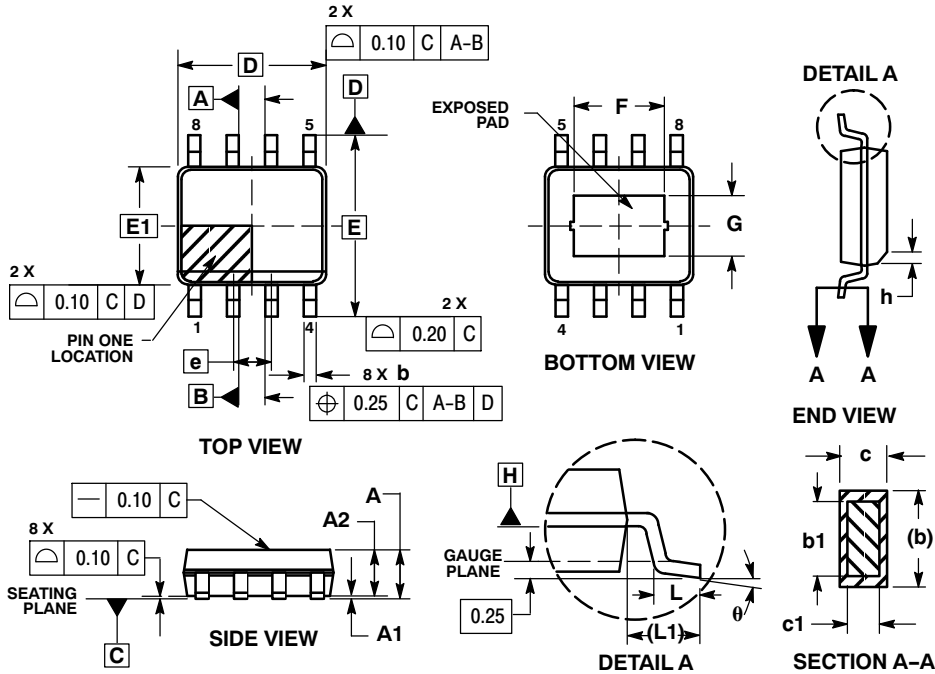
1. DIMENSIONS ARE IN MILLIMETERS.
2. INTERPRET DIMENSIONS AND TOLERANCES PER ASME Y14.5M, 1994.
3. DIMENSIONS D AND E DO NOT INCLUDE MOLD PROTRUSION.
4. MAXIMUM MOLD PROTRUSION 0.15 PER SIDE.
5. DIMENSION B DOES NOT INCLUDE DAMBAR PROTRUSION. ALLOWABLE DAMBAR PROTRUSION SHALL BE 0.13 TOTAL IN EXCESS OF THE B DIMENSION AT MAXIMUM MATERIAL CONDITION.

| DIM | MILLIMETERS |       |
|-----|-------------|-------|
|     | MIN         | MAX   |
| A   | 2.35        | 2.65  |
| A1  | 0.10        | 0.25  |
| B   | 0.35        | 0.49  |
| C   | 0.23        | 0.32  |
| D   | 10.15       | 10.45 |
| E   | 7.40        | 7.60  |
| e   | 1.27 BSC    |       |
| H   | 10.05       | 10.55 |
| h   | 0.25        | 0.75  |
| L   | 0.50        | 0.90  |
| q   | 0 °         | 7 °   |

# NCV8508

## PACKAGE DIMENSIONS

SOIC-8 EP  
PD SUFFIX  
CASE 751AC-01  
ISSUE A

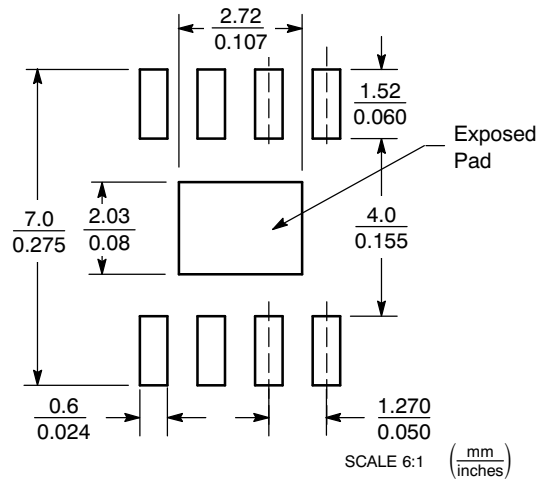


**NOTES:**

1. DIMENSIONS AND TOLERANCING PER ASME Y14.5M, 1994.
2. DIMENSIONS IN MILLIMETERS (ANGLES IN DEGREES).
3. DIMENSION b DOES NOT INCLUDE DAMBAR PROTRUSION. ALLOWABLE DAMBAR PROTRUSION SHALL BE 0.08 MM TOTAL IN EXCESS OF THE "b" DIMENSION AT MAXIMUM MATERIAL CONDITION.
4. DATUMS A AND B TO BE DETERMINED AT DATUM PLANE H.

| DIM      | MILLIMETERS |      |
|----------|-------------|------|
|          | MIN         | MAX  |
| A        | 1.35        | 1.75 |
| A1       | 0.00        | 0.10 |
| A2       | 1.35        | 1.65 |
| b        | 0.31        | 0.51 |
| b1       | 0.28        | 0.48 |
| c        | 0.17        | 0.25 |
| c1       | 0.17        | 0.23 |
| D        | 4.90 BSC    |      |
| E        | 6.00 BSC    |      |
| E1       | 3.90 BSC    |      |
| e        | 1.27 BSC    |      |
| L        | 0.40        | 1.27 |
| L1       | 1.04 REF    |      |
| F        | 2.24        | 3.20 |
| G        | 1.55        | 2.51 |
| h        | 0.25        | 0.50 |
| $\theta$ | 0°          | 8°   |

### SOLDERING FOOTPRINT\*

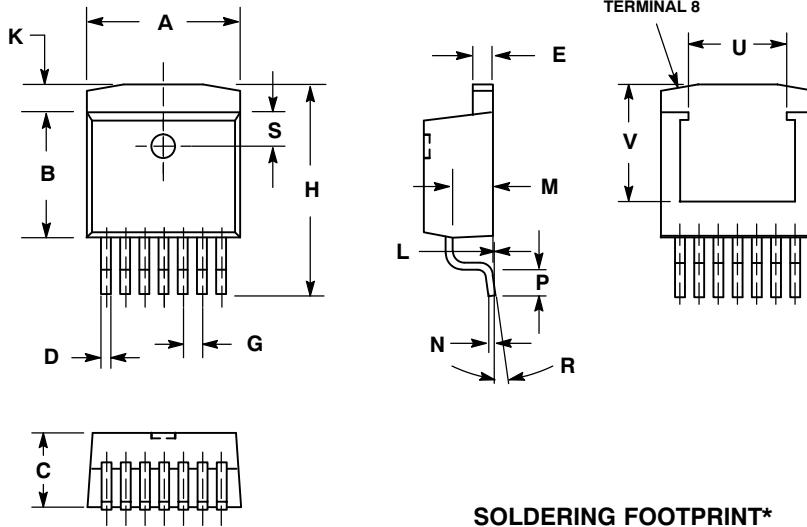


\*For additional information on our Pb-Free strategy and soldering details, please download the ON Semiconductor Soldering and Mounting Techniques Reference Manual, SOLDERRM/D.

# NCV8508

## PACKAGE DIMENSIONS

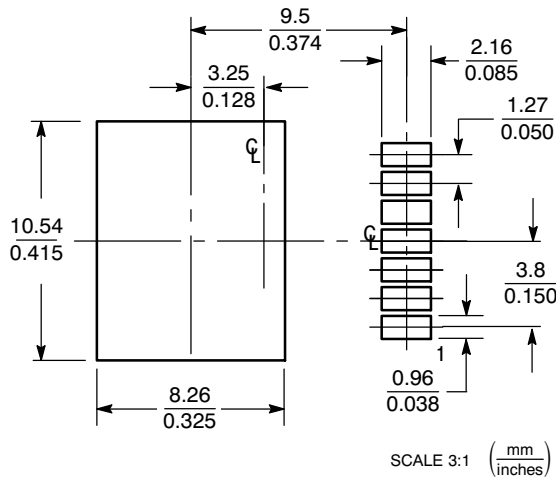
**D<sup>2</sup>PAK-7 (SHORT LEAD)  
DP SUFFIX  
CASE 936AB-01  
ISSUE A**



- NOTES:  
1. DIMENSIONS AND TOLERANCING PER ANSI Y14.5M, 1982.  
2. CONTROLLING DIMENSION: INCH.

| DIM | INCHES    |       | MILLIMETERS |       |
|-----|-----------|-------|-------------|-------|
|     | MIN       | MAX   | MIN         | MAX   |
| A   | 0.396     | 0.406 | 10.05       | 10.31 |
| B   | 0.326     | 0.336 | 8.28        | 8.53  |
| C   | 0.170     | 0.180 | 4.31        | 4.57  |
| D   | 0.026     | 0.036 | 0.66        | 0.91  |
| E   | 0.045     | 0.055 | 1.14        | 1.40  |
| G   | 0.050 REF |       | 1.27 REF    |       |
| H   | 0.539     | 0.579 | 13.69       | 14.71 |
| K   | 0.055     | 0.066 | 1.40        | 1.68  |
| L   | 0.000     | 0.010 | 0.00        | 0.25  |
| M   | 0.100     | 0.110 | 2.54        | 2.79  |
| N   | 0.017     | 0.023 | 0.43        | 0.58  |
| P   | 0.058     | 0.078 | 1.47        | 1.98  |
| R   | 0°        | 8°    | 0°          | 8°    |
| S   | 0.095     | 0.105 | 2.41        | 2.67  |
| U   | 0.256 REF |       | 6.50 REF    |       |
| V   | 0.305 REF |       | 7.75 REF    |       |

### SOLDERING FOOTPRINT\*



\*For additional information on our Pb-Free strategy and soldering details, please download the ON Semiconductor Soldering and Mounting Techniques Reference Manual, SOLDERRM/D.

SMART REGULATOR is a registered trademark of Semiconductor Components Industries, LLC (SCILLC).

ON Semiconductor and are registered trademarks of Semiconductor Components Industries, LLC (SCILLC). SCILLC reserves the right to make changes without further notice to any products herein. SCILLC makes no warranty, representation or guarantee regarding the suitability of its products for any particular purpose, nor does SCILLC assume any liability arising out of the application or use of any product or circuit, and specifically disclaims any and all liability, including without limitation special, consequential or incidental damages. "Typical" parameters which may be provided in SCILLC data sheets and/or specifications can and do vary in different applications and actual performance may vary over time. All operating parameters, including "Typicals" must be validated for each customer application by customer's technical experts. SCILLC does not convey any license under its patent rights nor the rights of others. SCILLC products are not designed, intended, or authorized for use as components in systems intended for surgical implant into the body, or other applications intended to support or sustain life, or for any other application in which the failure of the SCILLC product could create a situation where personal injury or death may occur. Should Buyer purchase or use SCILLC products for any such unintended or unauthorized application, Buyer shall indemnify and hold SCILLC and its officers, employees, subsidiaries, affiliates, and distributors harmless against all claims, costs, damages, and expenses, and reasonable attorney fees arising out of, directly or indirectly, any claim of personal injury or death associated with such unintended or unauthorized use, even if such claim alleges that SCILLC was negligent regarding the design or manufacture of the part. SCILLC is an Equal Opportunity/Affirmative Action Employer. This literature is subject to all applicable copyright laws and is not for resale in any manner.

### PUBLICATION ORDERING INFORMATION

**LITERATURE FULFILLMENT:**  
Literature Distribution Center for ON Semiconductor  
P.O. Box 5163, Denver, Colorado 80217 USA  
**Phone:** 303-675-2175 or 800-344-3860 Toll Free USA/Canada  
**Fax:** 303-675-2176 or 800-344-3867 Toll Free USA/Canada  
**Email:** orderlit@onsemi.com

**N. American Technical Support:** 800-282-9855 Toll Free  
USA/Canada  
**Europe, Middle East and Africa Technical Support:**  
Phone: 421 33 790 2910  
**Japan Customer Focus Center**  
Phone: 81-3-5773-3850

**ON Semiconductor Website:** [www.onsemi.com](http://www.onsemi.com)  
**Order Literature:** <http://www.onsemi.com/orderlit>

For additional information, please contact your local Sales Representative

## Looking for pricing, stock, or lifecycle information?

Click below to explore more details on WIN SOURCE:

 [View NCV8508D2T50](#) on WIN SOURCE

 [ON Semiconductor](#) Information

## Optimize Your Supply Chain with WIN SOURCE Solutions

-  Global Sourcing Solution
-  Obsolete Management
-  Cost Control Management
-  Shortage Management
-  Alternative Solution
-  Excess Inventory Management