



**THE DATASHEET OF  
MRF10350**



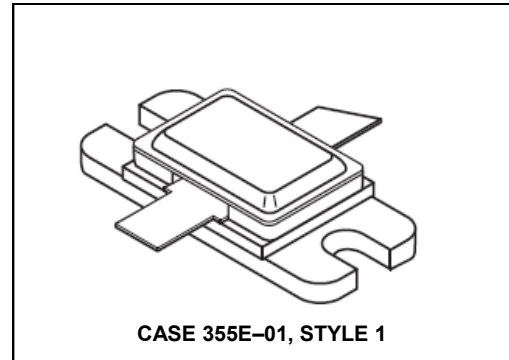
## Microwave Pulse Power Silicon NPN Transistor 350W (peak), 1025–1150MHz

Rev. V1

Designed for 1025–1150 MHz pulse common base amplifier applications such as TCAS, TACAN and Mode-S transmitters.

- Guaranteed performance @ 1090 MHz  
Output power = 350 W Peak  
Gain = 8.5 dB min, 9.0 dB (typ.)
- 100% tested for load mismatch at all phase angles with 10:1 VSWR
- Hermetically sealed package
- Silicon nitride passivated
- Gold metallized, emitter ballasted for long life and resistance to metal migration
- Internal input and output matching
- Characterized using Mode-S pulse format

### Product Image



### MAXIMUM RATINGS

Rating	Symbol	Value	Unit
Collector–Emitter Voltage	$V_{CES}$	65	Vdc
Collector–Base Voltage	$V_{CBO}$	65	Vdc
Emitter–Base Voltage	$V_{EBO}$	3.5	Vdc
Collector Current — Peak (1)	$I_C$	31	Adc
Total Device Dissipation @ $T_C = 25^\circ\text{C}$ (1), (2) Derate above $25^\circ\text{C}$	$P_D$	1590 9.1	Watts $\text{W}/^\circ\text{C}$
Storage Temperature Range	$T_{stg}$	–65 to +200	$^\circ\text{C}$
Junction Temperature	$T_J$	200	$^\circ\text{C}$

### THERMAL CHARACTERISTICS

Characteristic	Symbol	Max	Unit
Thermal Resistance, Junction to Case (3)	$R_{\theta JC}$	0.11	$^\circ\text{C}/\text{W}$

#### NOTES:

1. Under pulse RF operating conditions.
2. These devices are designed for RF operation. The total device dissipation rating applies only when the devices are operated as pulsed RF amplifiers.
3. Thermal Resistance is determined under specified RF operating conditions by infrared measurement techniques. (Worst Case  $\theta_{JC}$  measured using Mode-S pulse train, 128  $\mu\text{s}$  burst 0.5  $\mu\text{s}$  on, 0.5  $\mu\text{s}$  off repeating at 6.4 ms interval.)

## Microwave Pulse Power Silicon NPN Transistor 350W (peak), 1025–1150MHz

Rev. V1

### ELECTRICAL CHARACTERISTICS ( $T_C = 25^\circ\text{C}$ unless otherwise noted.)

Characteristic	Symbol	Min	Typ	Max	Unit
----------------	--------	-----	-----	-----	------

### OFF CHARACTERISTICS

Collector–Emitter Breakdown Voltage ( $I_C = 60 \text{ mAdc}$ , $V_{BE} = 0$ )	$V_{(BR)CES}$	65	—	—	Vdc
Collector–Base Breakdown Voltage ( $I_C = 60 \text{ mAdc}$ , $I_E = 0$ )	$V_{(BR)CBO}$	65	—	—	Vdc
Emitter–Base Breakdown Voltage ( $I_E = 10 \text{ mAdc}$ , $I_C = 0$ )	$V_{(BR)EBO}$	3.5	—	—	Vdc
Collector Cutoff Current ( $V_{CB} = 36 \text{ Vdc}$ , $I_E = 0$ )	$I_{CBO}$	—	—	25	mAdc

### ON CHARACTERISTICS

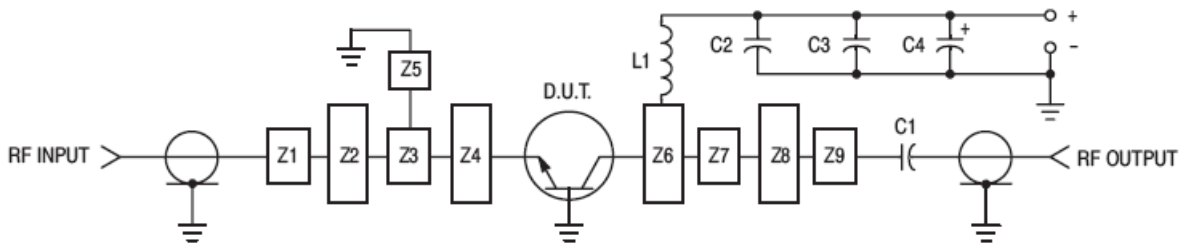
DC Current Gain ( $I_C = 5.0 \text{ Adc}$ , $V_{CE} = 5.0 \text{ Vdc}$ )	$h_{FE}$	20	—	—	—
--------------------------------------------------------------------------	----------	----	---	---	---

### FUNCTIONAL TESTS

Common–Base Amplifier Power Gain ( $V_{CC} = 50 \text{ Vdc}$ , $P_{out} = 350 \text{ W Peak}$ , $f = 1090 \text{ MHz}$ )	$G_{PB}$	8.5	9.0	—	dB
Collector Efficiency ( $V_{CC} = 50 \text{ Vdc}$ , $P_{out} = 350 \text{ W Peak}$ , $f = 1090 \text{ MHz}$ )	$\eta$	40	—	—	%
Load Mismatch ( $V_{CC} = 50 \text{ Vdc}$ , $P_{out} = 350 \text{ W Peak}$ , $f = 1090 \text{ MHz}$ , $VSWR = 10:1$ All Phase Angles)	$\psi$	No Degradation in Output Power			

## Microwave Pulse Power Silicon NPN Transistor 350W (peak), 1025–1150MHz

Rev. V1



C1 — 75 pF 100 Mil Chip Capacitor  
 C2 — 39 pF 100 Mil Chip Capacitor  
 C3 — 0.1  $\mu$ F  
 C4 — 100  $\mu$ F, 100 Vdc, Electrolytic  
 L1 — 3 Turns #18 AWG, 1/8" ID, 0.18 Long

Z1–Z9 — Microstrip, See Details  
 Board Material — Teflon, Glass Laminate  
 Dielectric Thickness = 0.030"  
 $\epsilon_r = 2.55$ , 2 Oz. Copper

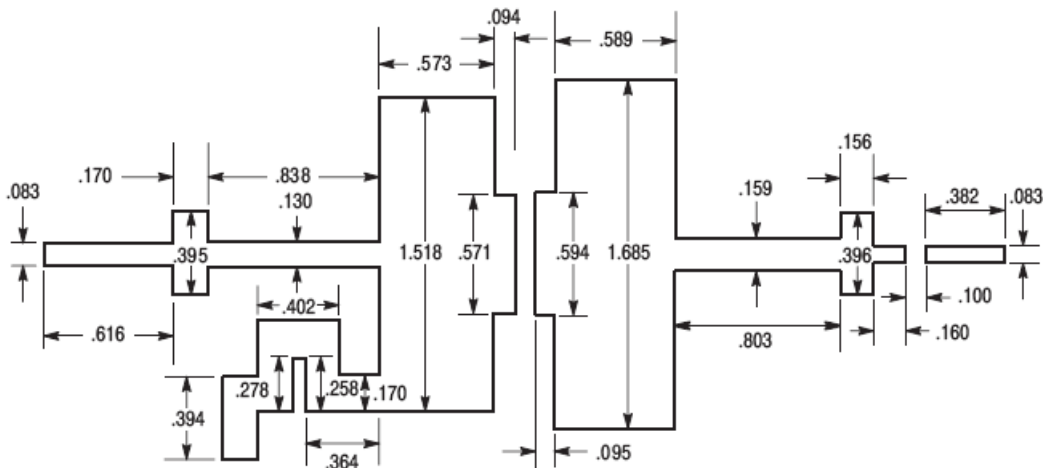
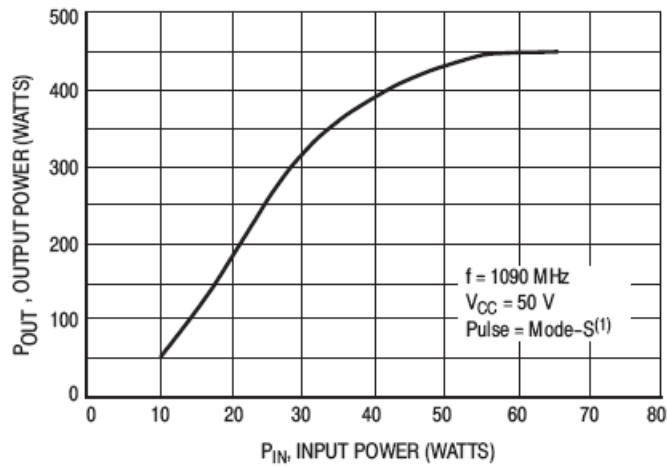
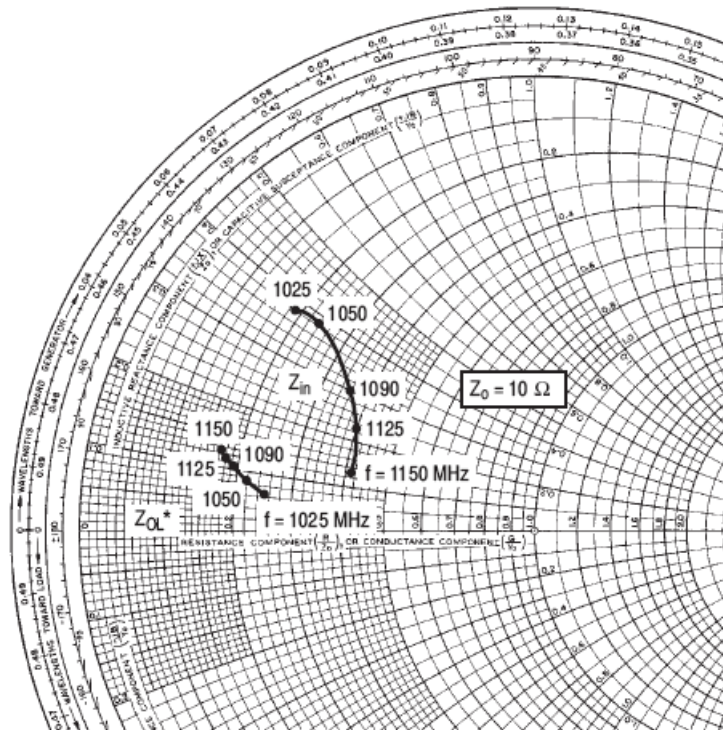


Figure 1. Test Circuit



(1) 128  $\mu$ s burst 0.5  $\mu$ s on, 0.5  $\mu$ s off  
repeating at 6.4 ms interval.

**Figure 2. Output Power versus Input Power**



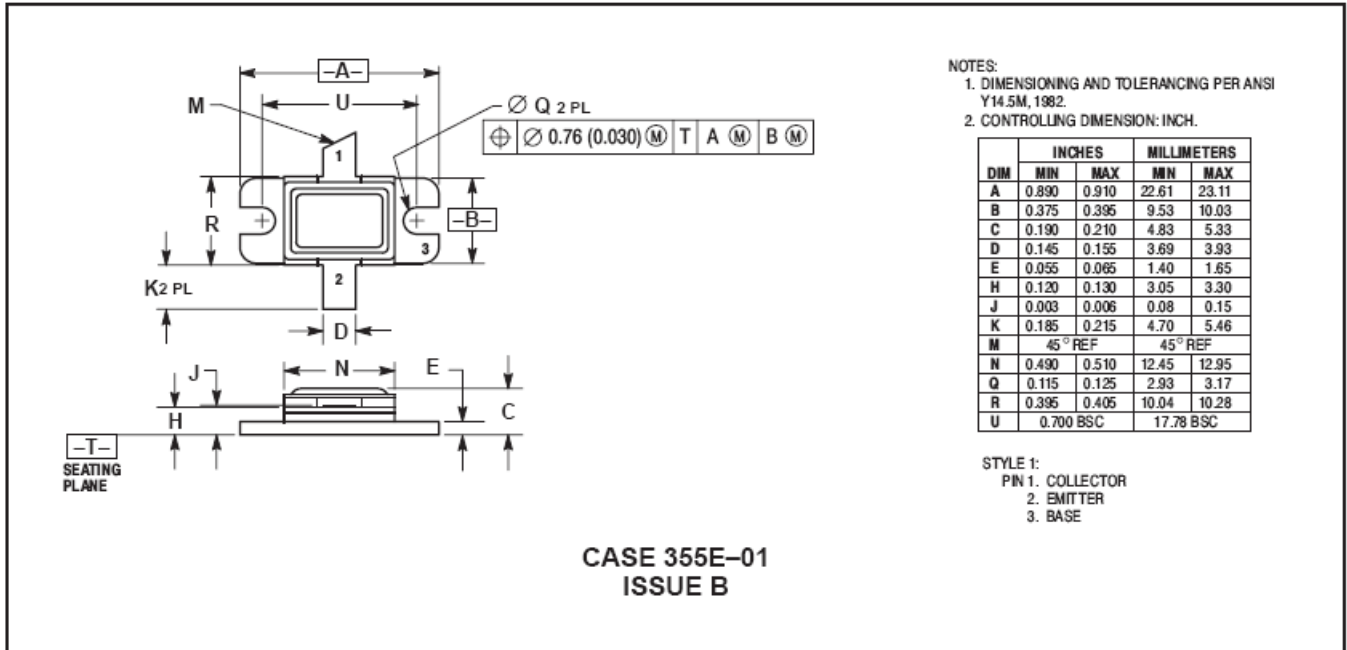
$P_{OUT} = 350 \text{ W Pk}$     $V_{CC} = 50 \text{ V}$

f MHz	$Z_{in}$ OHMS	$Z_{OL}^*(1)$ OHMS
1025	$1.92 + j3.80$	$2.52 + j0.70$
1050	$2.44 + j3.92$	$2.18 + j0.85$
1090	$3.55 + j3.02$	$1.94 + j1.13$
1125	$4.11 + j2.27$	$1.80 + j1.22$
1150	$4.13 + j1.35$	$1.71 + j1.31$

$Z_{OL}^*$  is the conjugate of the optimum load impedance into which the device operates at a given output power voltage and frequency.

**Figure 3. Series Equivalent Input/Output Impedances**

## PACKAGE DIMENSIONS



M/A-COM Technology Solutions Inc. All rights reserved.

Information in this document is provided in connection with M/A-COM Technology Solutions Inc ("MACOM") products. These materials are provided by MACOM as a service to its customers and may be used for informational purposes only. Except as provided in MACOM's Terms and Conditions of Sale for such products or in any separate agreement related to this document, MACOM assumes no liability whatsoever. MACOM assumes no responsibility for errors or omissions in these materials. MACOM may make changes to specifications and product descriptions at any time, without notice. MACOM makes no commitment to update the information and shall have no responsibility whatsoever for conflicts or incompatibilities arising from future changes to its specifications and product descriptions. No license, express or implied, by estoppel or otherwise, to any intellectual property rights is granted by this document.

THESE MATERIALS ARE PROVIDED "AS IS" WITHOUT WARRANTY OF ANY KIND, EITHER EXPRESS OR IMPLIED, RELATING TO SALE AND/OR USE OF MACOM PRODUCTS INCLUDING LIABILITY OR WARRANTIES RELATING TO FITNESS FOR A PARTICULAR PURPOSE, CONSEQUENTIAL OR INCIDENTAL DAMAGES, MERCHANTABILITY, OR INFRINGEMENT OF ANY PATENT, COPYRIGHT OR OTHER INTELLECTUAL PROPERTY RIGHT. MACOM FURTHER DOES NOT WARRANT THE ACCURACY OR COMPLETENESS OF THE INFORMATION, TEXT, GRAPHICS OR OTHER ITEMS CONTAINED WITHIN THESE MATERIALS. MACOM SHALL NOT BE LIABLE FOR ANY SPECIAL, INDIRECT, INCIDENTAL, OR CONSEQUENTIAL DAMAGES, INCLUDING WITHOUT LIMITATION, LOST REVENUES OR LOST PROFITS, WHICH MAY RESULT FROM THE USE OF THESE MATERIALS.

MACOM products are not intended for use in medical, lifesaving or life sustaining applications. MACOM customers using or selling MACOM products for use in such applications do so at their own risk and agree to fully indemnify MACOM for any damages resulting from such improper use or sale.

## Looking for pricing, stock, or lifecycle information?

Click below to explore more details on WIN SOURCE:

- ⊖ [View MRF10350 on WIN SOURCE](#)
- ⊖ [M/A-Com Technology Solutions Information](#)

## Optimize Your Supply Chain with WIN SOURCE Solutions

- ✓ Global Sourcing Solution
- ✓ Obsolete Management
- ✓ Cost Control Management
- ✓ Shortage Management
- ✓ Alternative Solution
- ✓ Excess Inventory Management