



**THE DATASHEET OF
MS1337**



MS1337

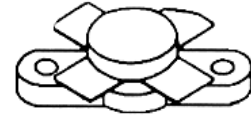
RF & MICROWAVE TRANSISTORS VHF MOBILE APPLICATIONS

Features

- 175 MHz
- 12.5 VOLTS
- P_{OUT} = 30W MINIMUM
- G_P = 10 dB GAIN
- COMMON EMITTER CONFIGURATION

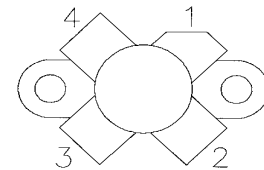
DESCRIPTION:

The MS1337 is a 12.5 volt epitaxial silicon NPN planar transistor designed primarily for Class C, VHF communication applications. The MS1337 utilizes an emitter ballasted die geometry to withstand severe load mismatch conditions.



.380 4LFL (M113)
epoxy sealed

PIN CONNECTION



1. Collector 3. Base
2. Emitter 4. Emitter

ABSOLUTE MAXIMUM RATINGS (T_{case} = 25°C)

Symbol	Parameter	Value	Unit
V _{CBO}	Collector-Base Voltage	36	V
V _{CEO}	Collector-Emitter Voltage	18	V
V _{CES}	Collector-Emitter Voltage	36	V
V _{EBO}	Emitter-Base Voltage	4.0	V
I _C	Device Current	8.0	A
P _{DISS}	Power Dissipation	70	W
T _J	Junction Temperature	+200	°C
T _{STG}	Storage Temperature	-65 to +150	°C

Thermal Data

R _{TH(J-C)}	Junction-case Thermal Resistance	1.2	°C/W
----------------------	----------------------------------	-----	------

ELECTRICAL SPECIFICATIONS (T_{case} = 25°C)
STATIC

Symbol	Test Conditions		Value			Unit
			Min.	Typ.	Max.	
BV _{CES}	I _C = 15 mA	V _{BE} = 0 mA	36	---	---	V
BV _{CEO}	I _E = 50 mA	I _B = 0 mA	18	---	---	V
BV _{EBO}	I _E = 5 mA	I _C = 0 mA	4.0	---	---	V
I _{CBO}	V _{CB} = 15 V	I _E = 0 mA	---	---	5	mA
H _{FE}	V _{CE} = 5 V	I _C = 250 mA	20	---	200	---

DYNAMIC

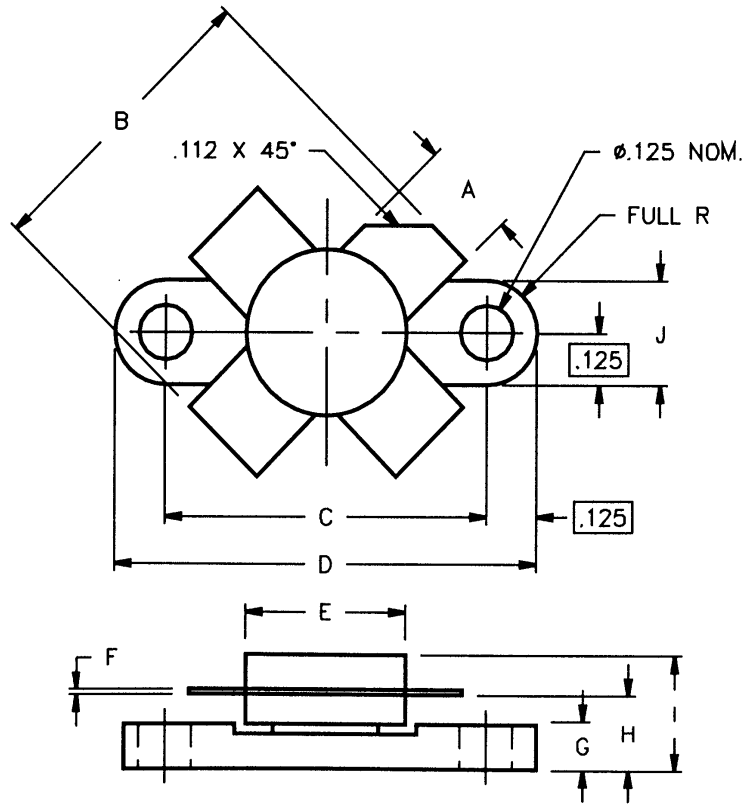
Symbol	Test Conditions			Value			Unit
				Min.	Typ.	Max.	
P _{OUT}	f = 175 MHz	P _{IN} = 3.0 W	V _{CE} = 12.5 V	30	---	---	W
G _p	f = 175 MHz	P _{IN} = 3.0 W	V _{CE} = 12.5 V	10	---	---	dB
Cob	f = 1 MHz	V _{CB} = 15 V		---	---	120	pf

IMPEDANCE DATA

FREQ	Z _{IN} (Ω)	Z _{CL} (Ω)
175 MHz	1.0 +j0.4	2.3 + j0.1

P_{IN} = 3.0W
V_{CE} = 12.5V

PACKAGE MECHANICAL DATA



	MINIMUM INCHES/MM	MAXIMUM INCHES/MM		MINIMUM INCHES/MM	MAXIMUM INCHES/MM
A	.220/5,59	.230/5,84	I		.260/7,11
B	.785/19,94		J	.240/6,10	.255/6,48
C	.720/18,29	.730/18,54			
D	.970/24,64	.980/24,89			
E		.385/9,78			
F	.004/0,10	.006/0,15			
G	.085/2,16	.105/2,67			
H	.160/4,06	.180/4,57			

Looking for pricing, stock, or lifecycle information?

Click below to explore more details on WIN SOURCE:

- ⊖ [View MS1337 on WIN SOURCE](#)
- ⊖ [Microsemi Corporation](#) Information

Optimize Your Supply Chain with WIN SOURCE Solutions

- ✓ Global Sourcing Solution
- ✓ Obsolete Management
- ✓ Cost Control Management
- ✓ Shortage Management
- ✓ Alternative Solution
- ✓ Excess Inventory Management