



**THE DATASHEET OF
LQH32MN180J23L**



CHIP COIL (CHIP INDUCTORS) LQH32MN□□□□23L REFERENCE SPECIFICATION

1.Scope

This reference specification applies to LQH32MN Series, Chip coil (Chip Inductors).

2.Part Numbering

(ex)	LQ	H	32	M	N	1R0	M	2	3	L
	Product ID	Structure	Dimension (L×W)	Applications and Characteristics	Category	Inductance	Tolerance	Features	Electrode	Packaging L:Taping

3.Rating

- Operating Temperature Range -40 to +85°C
- Storage Temperature Range. -40 to +85°C

Customer Part Number	MURATA Part Number	Inductance		Q (min.)	DC Resistance (Ω max)	Self Resonant Frequency (MHz min)	Rated Current (mA)
		(μH)	Tolerance(%)				
	LQH32MN1R0M23L	1.0	M:±20	20	0.5	100	445
	LQH32MN1R2M23L	1.2			425		
	LQH32MN1R5M23L	1.5	M:±20 K:±10		0.6	75	400
	LQH32MN1R5K23L						
	LQH32MN1R8M23L	1.8			0.7	60	390
	LQH32MN1R8K23L						
	LQH32MN2R2M23L	2.2			0.8	50	370
	LQH32MN2R2K23L						
	LQH32MN2R7M23L	2.7			0.9	43	320
	LQH32MN2R7K23L						
	LQH32MN3R3M23L	3.3			1.0	38	300
	LQH32MN3R3K23L						
	LQH32MN3R9M23L	3.9			1.1	35	290
	LQH32MN3R9K23L						
	LQH32MN4R7M23L	4.7			1.2	31	270
	LQH32MN4R7K23L						
	LQH32MN5R6M23L	5.6		1.3	28	250	
	LQH32MN5R6K23L						
	LQH32MN6R8M23L	6.8	1.5	25	240		
	LQH32MN6R8K23L						
	LQH32MN8R2M23L	8.2	1.6	23	225		
	LQH32MN8R2K23L						
	LQH32MN100K23L	10	K:±10 J:±5	35	1.8	20	190
	LQH32MN100J23L						
	LQH32MN120K23L	12			2.0	18	180
	LQH32MN120J23L						
	LQH32MN150K23L	15			2.2	16	170
	LQH32MN150J23L						
	LQH32MN180K23L	18			2.5	15	165
	LQH32MN180J23L						
	LQH32MN220K23L	22			2.8	14	150
	LQH32MN220J23L						
	LQH32MN270K23L	27			3.1	13	125
	LQH32MN270J23L						

Customer Part Number	MURATA Part Number	Inductance		Q (min.)	DC Resistance (Ω max)	Self Resonant Frequency (MHz min)	Rated Current (mA)																		
		(μ H)	Tolerance(%)																						
	LQH32MN330K23L	33	K: \pm 10 J: \pm 5	40	3.5	12	115																		
	LQH32MN330J23L																								
	LQH32MN390K23L	39			K: \pm 10 J: \pm 5	40	3.9	11	110																
	LQH32MN390J23L																								
	LQH32MN470K23L	47					K: \pm 10 J: \pm 5	40	4.3	10	100														
	LQH32MN470J23L																								
	LQH32MN560K23L	56							K: \pm 10 J: \pm 5	40	4.9	9.0	85												
	LQH32MN560J23L																								
	LQH32MN680K23L	68									K: \pm 10 J: \pm 5	40	5.5	8.0	80										
	LQH32MN680J23L																								
	LQH32MN820K23L	82											K: \pm 10 J: \pm 5	40	6.2	7.5	70								
	LQH32MN820J23L																								
	LQH32MN101K23L	100													K: \pm 10 J: \pm 5	40	7.0	7.0	80						
	LQH32MN101J23L																								
	LQH32MN121K23L	120															K: \pm 10 J: \pm 5	40	8.0	7.5	75				
	LQH32MN121J23L																								
	LQH32MN151K23L	150																	K: \pm 10 J: \pm 5	40	9.3	7.0	70		
	LQH32MN151J23L																								
	LQH32MN181K23L	180																			K: \pm 10 J: \pm 5	40	10.2	6.0	65
	LQH32MN181J23L																								
	LQH32MN221K23L	220	K: \pm 10 J: \pm 5	40																			11.8	5.5	65
	LQH32MN221J23L																								
	LQH32MN271K23L	270			K: \pm 10 J: \pm 5	40																	12.5	5.0	65
	LQH32MN271J23L																								
	LQH32MN331K23L	330					K: \pm 10 J: \pm 5	40															13.0	5.0	65
	LQH32MN331J23L																								
	LQH32MN391K23L	390							K: \pm 10 J: \pm 5	50													22.0	5.0	50
	LQH32MN391J23L																								
	LQH32MN471K23L	470									K: \pm 10 J: \pm 5	50											25.0	5.0	45
	LQH32MN471J23L																								
	LQH32MN561K23L	560											K: \pm 10 J: \pm 5	50									28.0	5.0	40
	LQH32MN561J23L																								

4. Testing Conditions

<Unless otherwise specified>

Temperature : Ordinary Temperature (15 to 35°C)

Humidity : Ordinary Humidity (25 to 85 %(RH))

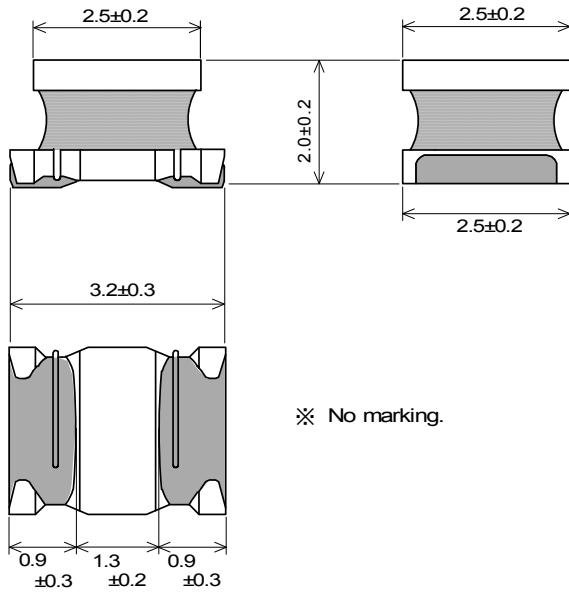
<In case of doubt>

Temperature : 20 \pm 2°C

Humidity : 60 to 70 %(RH)

Atmospheric Pressure : 86 to 106 kPa

5.Appearance and Dimensions



■ Unit Mass (Typical value)
0.060g

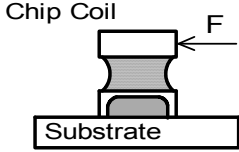
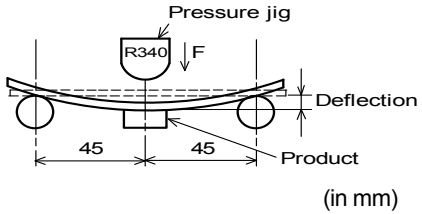
※ No marking.

(in mm)

6.Electrical Performance

No.	Item	Specification	Test Method
6.1	Inductance	Inductance shall meet item 3.	Measuring Equipment : KEYSIGHT 4192A or equivalent Measuring Frequency : 1MHz / 1.0 to 390 μ H 1kHz / 470 to 560 μ H
6.2	Q		Measuring Equipment : KEYSIGHT 4192A or equivalent Measuring Frequency : 1MHz / 1.0 to 82 μ H 796kHz / 100 to 560 μ H
6.3	DC Resistance	DC Resistance shall meet item 3.	Measuring Equipment : Digital multi meter
6.4	Self Resonant Frequency(S.R.F)	S.R.F shall meet item 3.	Measuring Equipment : KEYSIGHT 4291A or equivalent
6.5	Rated Current	Self temperature rise shall be limited to 20°C max. Inductance Change : within \pm 10%	The rated current is applied.
6.6	Temperature Characteristics	Temperature Coefficient 220 to 1400 PPM/°C	Temperature coefficient on the basis of step 3 shall meet specification after tested as follows.It shall be subjected to the condition of Table 1, and its inductance shall be measured at each step after reaching the thermal equilibrium and be calculated. <u>Table 1</u> Step1 / +20 \pm 2°C Step4 / +85 \pm 2°C Step2 / -25 \pm 2°C Step5 / +20 \pm 2°C Step3 / +20 \pm 2°C

7.Mechanical Performance

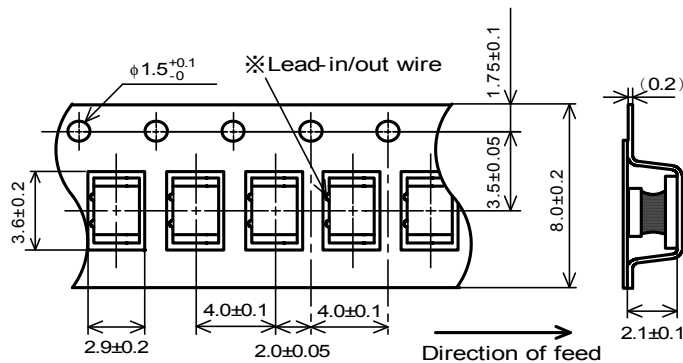
No.	Item	Specification	Test Method
7.1	Shear Test	Chip coil shall not be damaged.	Substrate : Glass-epoxy substrate Applied Direction :  Force : 10N Hold Duration : 5±1s
7.2	Bending Test	Chip coil shall not be damaged.	Substrate : Glass-epoxy substrate (100 × 40 × 1.6mm) Speed of Applying Force : 1mm / s Deflection : 2mm Hold Duration : 30 s  (in mm)
7.3	Vibration		Oscillation Frequency : 10 to 55 to 10Hz for 1 minute Total Amplitude : 1.5mm Testing Time : A period of 2 hours in each of 3 mutually perpendicular directions. (Total 6 hours)
7.4	Solderability	The wetting area of the electrode shall be at least 90% covered with new solder coating.	Flux : Ethanol solution of rosin, 25(wt)% (Immersed for 5s to 10s) Solder : Sn-3.0Ag-0.5Cu Pre-Heating : 150±10°C / 60 to 90seconds Solder Temperature : 240±5°C Immersion Time : 3±1 s
7.5	Resistance to Soldering Heat	Appearance: No damage Inductance Change: within ± 5%	Flux : Ethanol solution of rosin, 25(wt)% (Immersed for 5s to 10s) Solder : Sn-3.0Ag-0.5Cu Pre-Heating : 150±10°C / 60 to 90seconds Solder Temperature : 270±5°C Immersion Time : 10±1 s Then measured after exposure in the room condition for 24±2 hours.

8.Environmental Performance (It shall be soldered on the substrate.)

No.	Item	Specification	Test Method
8.1	Heat Resistance	Appearance:No damage Inductance Change : within $\pm 5\%$ Q-factor Change : within $\pm 20\%$	Temperature : $85\pm 2^{\circ}\text{C}$ Time : 1000h (+48h , -0h) Then measured after exposure in the room condition for 24 ± 2 hours.
8.2	Cold Resistance		Temperature : $-40\pm 2^{\circ}\text{C}$ Time : 1000h (+48h , -0h) Then measured after exposure in the room condition for 24 ± 2 hours.
8.3	Humidity		Temperature : $40\pm 2^{\circ}\text{C}$ Humidity : 90 to 95%(RH) Time : 1000h (+48h , -0h) Then measured after exposure in the room condition for 24 ± 2 hours.
8.4	Temperature Cycle		1 cycle : 1 step : $-40\pm 2^{\circ}\text{C}$ / 30 ± 3 min 2 step : Ordinary temp. / 10 to 15 min 3 step : $+85\pm 2^{\circ}\text{C}$ / 30 ± 3 min 4 step : Ordinary temp. / 10 to 15 min Total of 10 cycles Then measured after exposure in the room condition for 24 ± 2 hours.

9. Specification of Packaging

9.1 Appearance and Dimensions of plastic tape



※The packing directions of the chip coil in taping are unified with the in/out positions of the lead wire.

Dimension of the Cavity is measured at the bottom side.

(in mm)

9.2 Specification of Taping

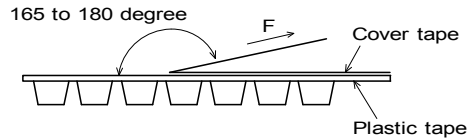
- (1) Packing quantity (standard quantity)
2,000 pcs / reel
- (2) Packing Method
Products shall be packed in the each embossed cavity of plastic tape and sealed by cover tape.
- (3) Sprocket hole
The sprocket holes are to the right as the tape is pulled toward the user.
- (4) Spliced point
Plastic tape and Cover tape has no spliced point.
- (5) Missing components number
Missing components number within 0.1 % of the number per reel or 1 pc., whichever is greater, and are not continuous. The specified quantity per reel is kept.

9.3 Pull Strength

Embossed carrier tape	10N min.
Cover tape	5N min.

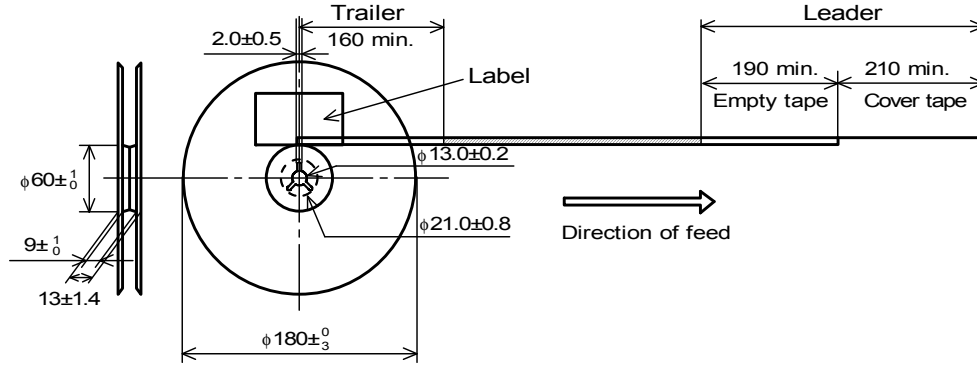
9.4 Peeling off force of cover tape

Speed of Peeling off	300mm/min
Peeling off force	0.2 to 0.7N (minimum value is typical)



9.5 Dimensions of Leader-tape, Trailer and Reel

There shall be leader-tape (cover tape) and trailer-tape (empty tape) as follows.



9.6 Marking for reel

Customer part number, MURATA part number, Inspection number(*1), RoHS marking(*2), Quantity etc ...

*1) <Expression of Inspection No.>

□□ OOOO ×××
(1) (2) (3)

(1) Factory Code

(2) Date

First digit : Year / Last digit of year

Second digit : Month / Jan. to Sep. → 1 to 9, Oct. to Dec. → O, N, D

Third, Fourth digit : Day

(3) Serial No.

*2) « Expression of RoHS marking »

ROHS - Y (△)
(1) (2)

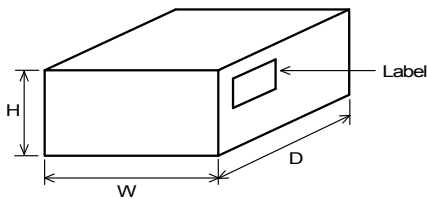
(1) RoHS regulation conformity

(2) MURATA classification number

9.7 Marking for Outside package (corrugated paper box)

Customer name, Purchasing order number, Customer part number, MURATA part number, RoHS marking (*2), Quantity, etc ...

9.8. Specification of Outer Case



Outer Case Dimensions(mm)			Standard Reel Quantity in Outer Case (Reel)
W	D	H	
186	186	93	5

*Above Outer Case size is typical. It depends on a quantity of an order.

10. ⚠Caution

Limitation of Applications

Please contact us before using our products for the applications listed below which require especially high reliability for the prevention of defects which might directly cause damage to the third party's life, body or property.

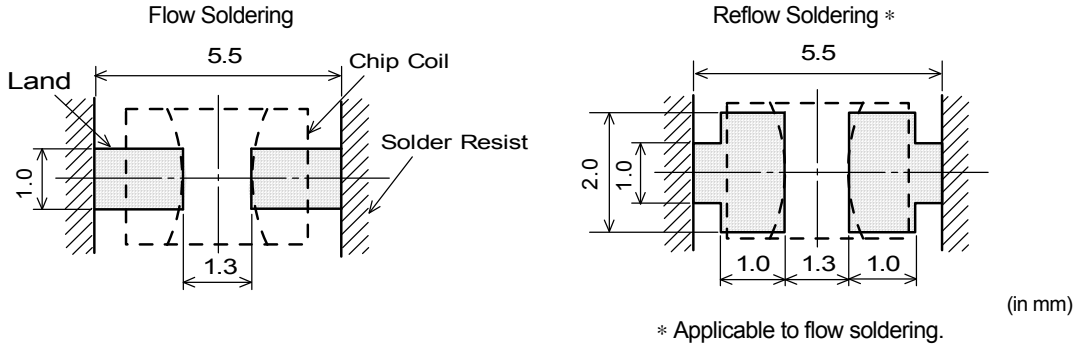
- | | |
|-----------------------------------|--|
| (1) Aircraft equipment | (6) Transportation equipment (vehicles, trains, ships, etc.) |
| (2) Aerospace equipment | (7) Traffic signal equipment |
| (3) Undersea equipment | (8) Disaster prevention / crime prevention equipment |
| (4) Power plant control equipment | (9) Data-processing equipment |
| (5) Medical equipment | (10) Applications of similar complexity and /or reliability requirements to the applications listed in the above |

11. Notice

This product is designed for solder mounting.
Please consult us in advance for applying other mounting method such as conductive adhesive.

11.1 Land pattern designing

Recommended land patterns for flow and reflow soldering are as follows:
These have been designed for Electric characteristics and solderability.
Please follow the recommended patterns. Otherwise, their performance which includes electrical performance or solderability may be affected, or result to "position shift" in soldering process.



11.2 Flux, Solder

Flux	<ul style="list-style-type: none"> • Use rosin-based flux. • Don't use highly acidic flux with halide content exceeding 0.2(wt)% (chlorine conversion value). • Don't use water-soluble flux.
Solder	<ul style="list-style-type: none"> • Use Sn-3.0Ag-0.5Cu solder • Standard thickness of solder paste : 200μm to 300μm

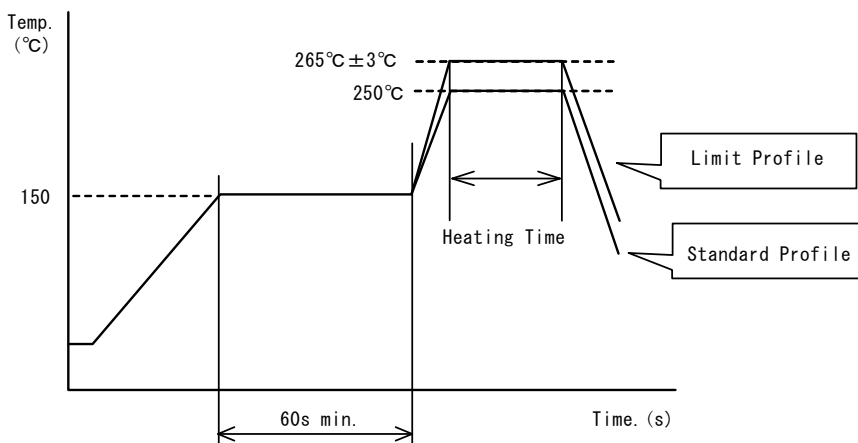
Other flux (except above) Please contact us for details, then use.

11.3 Flow soldering conditions / Reflow soldering conditions

- Pre-heating should be in such a way that the temperature difference between solder and product surface is limited to 150°C max. Cooling into solvent after soldering also should be in such a way that the temperature difference is limited to 100°C max. Insufficient pre-heating may cause cracks on the product, resulting in the deterioration of product quality.
- Standard soldering profile and the limit soldering profile is as follows. The excessive limit soldering conditions may cause leaching of the electrode and / or resulting in the deterioration of product quality.

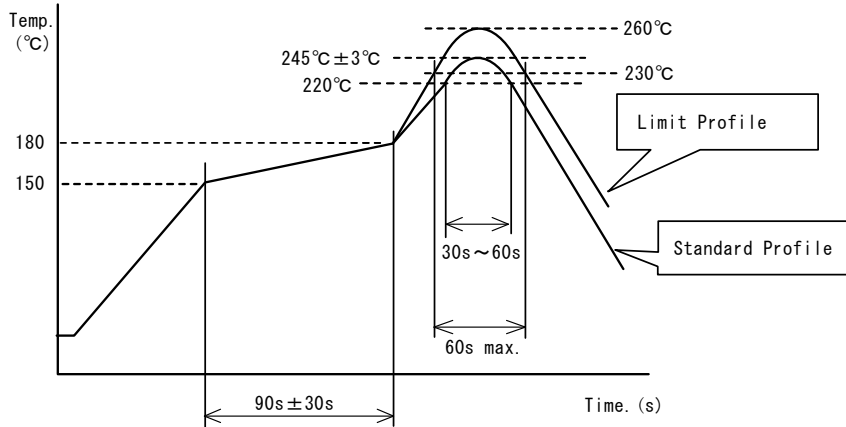
Soldering profile

(1)Flow soldering profile



	Standard Profile	Limit Profile
Pre-heating	150°C、60s min.	
Heating	250°C、4s~6s	265°C±3°C、5s
Cycle of flow	2 times	1 time

(2)Reflow soldering profile



	Standard Profile	Limit Profile
Pre-heating	150~180°C、90s±30s	
Heating	above 220°C、30s~60s	above 230°C、60s max.
Peak temperature	245±3°C	260°C、10s
Cycle of reflow	2 times	1 time

11.4 Reworking with soldering iron.

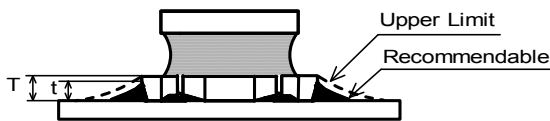
The following conditions must be strictly followed when using a soldering iron.

Pre-heating	150°C,1 min
Tip temperature	350°C max.
Soldering iron output	80W max.
Tip diameter	φ 3mm max.
Soldering time	3(+1,-0)s
Times	2 times

Note : Do not directly touch the products with the tip of the soldering iron in order to prevent the crack on the products due to the thermal shock.

11.5 Solder Volume

- Solder shall be used not to be exceeded the upper limits as shown below.
- Accordingly increasing the solder volume, the mechanical stress to Chip is also increased. Exceeding solder volume may cause the failure of mechanical or electrical performance.



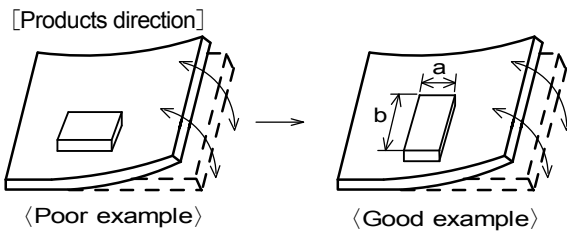
$$1/3T \leq t \leq T$$

(T: Lower flange thickness)

11.6 Product's location

The following shall be considered when designing and laying out P.C.B.'s.

- (1) P.C.B. shall be designed so that products are not subject to the mechanical stress due to warping the board.



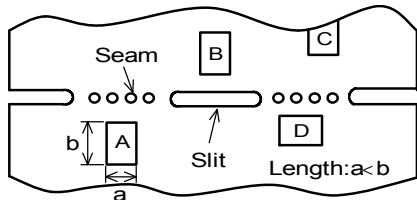
Products shall be located in the sideways direction (Length: a<b) to the mechanical stress.

(2) Components location on P.C.B. separation.

It is effective to implement the following measures, to reduce stress in separating the board.

It is best to implement all of the following three measures; however, implement as many measures as possible to reduce stress.

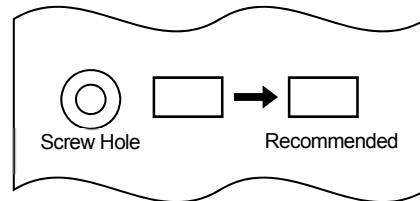
Contents of Measures	Stress Level
(1) Turn the mounting direction of the component parallel to the board separation surface.	$A > D *1$
(2) Add slits in the board separation part.	$A > B$
(3) Keep the mounting position of the component away from the board separation surface.	$A > C$



*1 $A > D$ is valid when stress is added vertically to the perforation as with Hand Separation.
If a Cutting Disc is used, stress will be diagonal to the PCB, therefore $A > D$ is invalid.

(3) Mounting Components Near Screw Holes

When a component is mounted near a screw hole, it may be affected by the board deflection that occurs during the tightening of the screw. Mount the component in a position as far away from the screw holes as possible.



11.7 Cleaning Conditions

Products shall be cleaned on the following conditions.

- (1) Cleaning temperature shall be limited to 60°C max.(40°C max for IPA.)
- (2) Ultrasonic cleaning shall comply with the following conditions with avoiding the resonance phenomenon at the mounted products and P.C.B.
Power : 20 W / l max. Frequency : 28kHz to 40kHz Time : 5 minutes max.
- (3) Cleaner
 1. Alternative cleaner
 - Isopropyl alcohol (IPA)
 2. Aqueous agent
 - PINE ALPHA ST-100S
- (4) There shall be no residual flux and residual cleaner after cleaning.
In the case of using aqueous agent, products shall be dried completely after rinse with de-ionized water in order to remove the cleaner.
- (5) Other cleaning
Please contact us.

11.8 Resin coating

The inductance value may change due to high cure-stress of resin to be used for coating/molding products.

An open circuit issue may occur by mechanical stress caused by the resin, amount/cured shape of resin, or operating condition etc. Some resin contains some impurities or chloride possible to generate chlorine by hydrolysis under some operating condition may cause corrosion of wire of coil, leading to open circuit.

So, please pay your careful attention when you select resin in case of coating/molding the products with the resin.

Prior to use the coating resin, please make sure no reliability issue is observed by evaluating products mounted on your board.

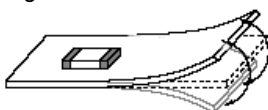
11.9 Caution for use

- Sharp material such as a pair of tweezers or other material such as bristles of cleaning brush, shall not be touched to the winding portion to prevent the breaking of wire.
- Mechanical shock should not be applied to the products mounted on the board to prevent the breaking of the core.

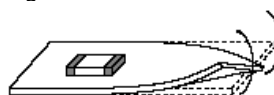
11.10 Handling of a substrate

After mounting products on a substrate, do not apply any stress to the product caused by bending or twisting to the substrate when cropping the substrate, inserting and removing a connector from the substrate or tightening screw to the substrate. Excessive mechanical stress may cause cracking in the product.

Bending



Twisting



11.11 Storage and Handling Requirements

(1) Storage period

Use the products within 12 months after delivered.

Solderability should be checked if this period is exceeded.

(2) Storage conditions

- Products should be stored in the warehouse on the following conditions.

Temperature : -10 ~ 40°C

Humidity : 15 to 85% relative humidity No rapid change on temperature and humidity

The electrode of the products is coated with solder. Don't keep products in corrosive gases such as sulfur, chlorine gas or acid, or it may cause oxidization of electrode, resulting in poor solderability.

- Products should not be stored on bulk packaging condition to prevent the chipping of the core and the breaking of winding wire caused by the collision between the products.
- Products should be stored on the palette for the prevention of the influence from humidity, dust and so on.
- Products should be stored in the warehouse without heat shock, vibration, direct sunlight and so on.

(3) Handling Condition

Care should be taken when transporting or handling product to avoid excessive vibration or mechanical shock.

12.  Note



(1) Please make sure that your product has been evaluated in view of your specifications with our product being mounted to your product.

(2) You are requested not to use our product deviating from the reference specifications.

(3) The contents of this reference specification are subject to change without advance notice. Please approve our product specifications or transact the approval sheet for product specifications before ordering

Looking for pricing, stock, or lifecycle information?

Click below to explore more details on WIN SOURCE:

-  [View LQH32MN180J23L on WIN SOURCE](#)
-  [Murata Electronics North America Information](#)

Optimize Your Supply Chain with WIN SOURCE Solutions

-  Global Sourcing Solution
-  Obsolete Management
-  Cost Control Management
-  Shortage Management
-  Alternative Solution
-  Excess Inventory Management