



**THE DATASHEET OF**  
**112705**



NOTES:

1. MATERIALS OF CONSTRUCTION:

- BODY = ZINC ALLOY, NICKEL PLATING THICKNESS .000080" MIN.
- CONTACT = PHOSPHOR BRONZE, GOLD PLATING AT CONTACT AREA TIN PLATING AT TAIL & NICKEL PLATING OVER ALL. GOLD PLATING THICKNESS .000003" MIN. TIN PLATING THICKNESS .000080" MIN. NICKEL PLATING THICKNESS .000040" MIN.
- INSULATOR = POLYPROPYLENE UL 94HB, NATURAL
- HOUSING = PBT+15%G.F (UL 94 V-0), BLACK
- GROUNDING TERMINAL = COPPER PLATED STEEL WIRE, TIN PLATING THICKNESS .000100" MIN.
- MOUNTING HOOK = BRASS, TIN PLATING THICKNESS .000100" MIN.

2. ELECTRICAL:

- A. IMPEDANCE: 50 OHMS
- B. FREQUENCY RANGE: 0-1 GHz
- C. OPERATING VOLTAGE: 500 VOLTS RMS
- D. CONTACT RESISTANCE: 3.0 MILLIOHMS MAX. (GOLD)
- E. DIELECTRIC WITHSTANDING VOLTAGE: 1500 VOLTS RMS
- F. INSULATION RESISTANCE: 5000MEGOHMS MIN.

3. MECHANICAL:

- A. DURABILITY: 500 CYCLES MIN.
- B. TEMPERATURE RANGE: -65°C TO +165°C

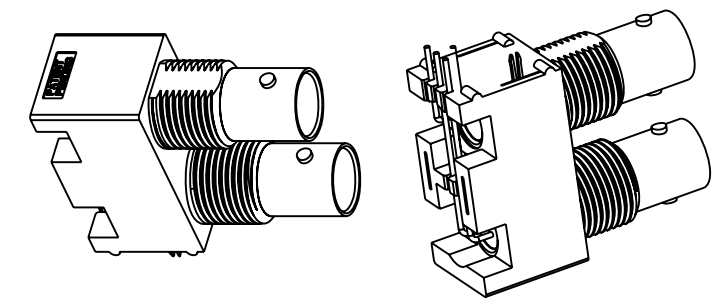
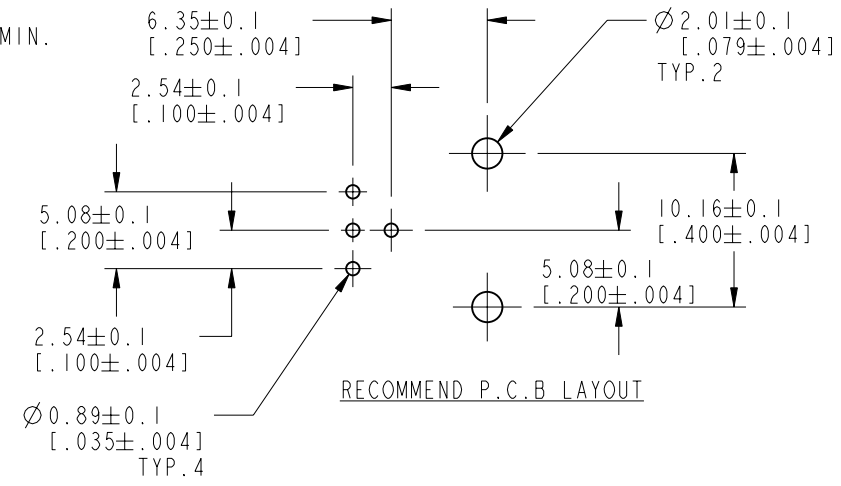
4. PACKAGING:

- A. TRAY PACK, 20 PCS/TRAY.
- B. TRAY TO BE MARKED: AMPHENOL RF  
112705  
B705002-NPB3G-50-G  
DATE CODE(WWYY)

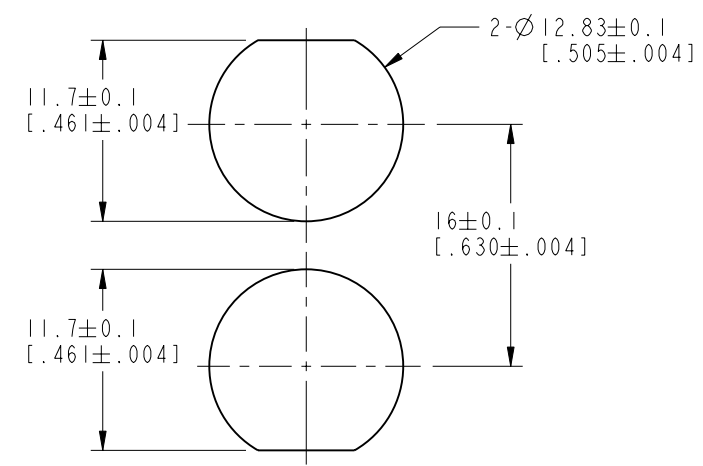
THIRD ANGLE PROJ.

REVISIONS

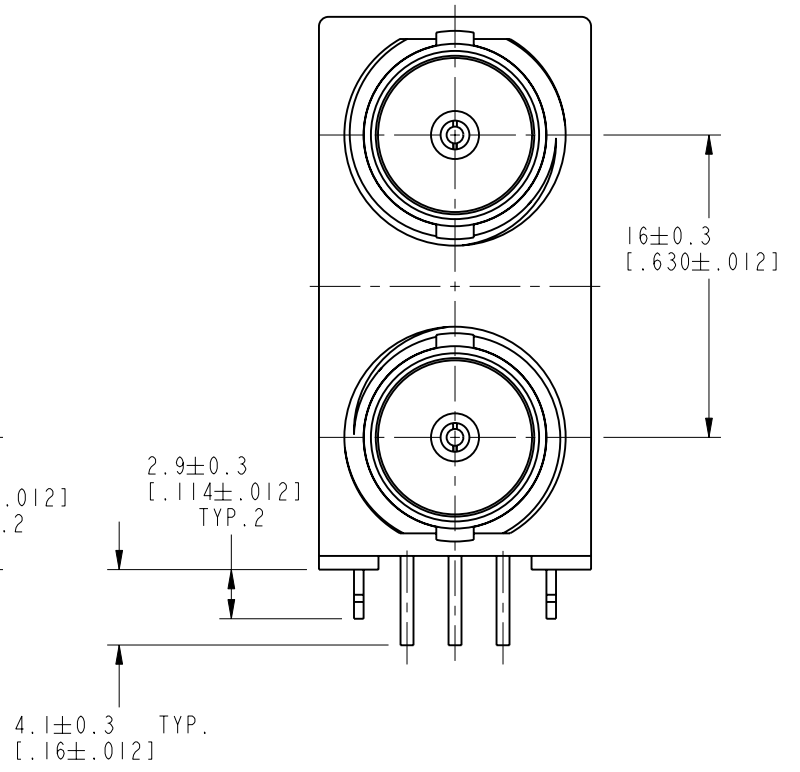
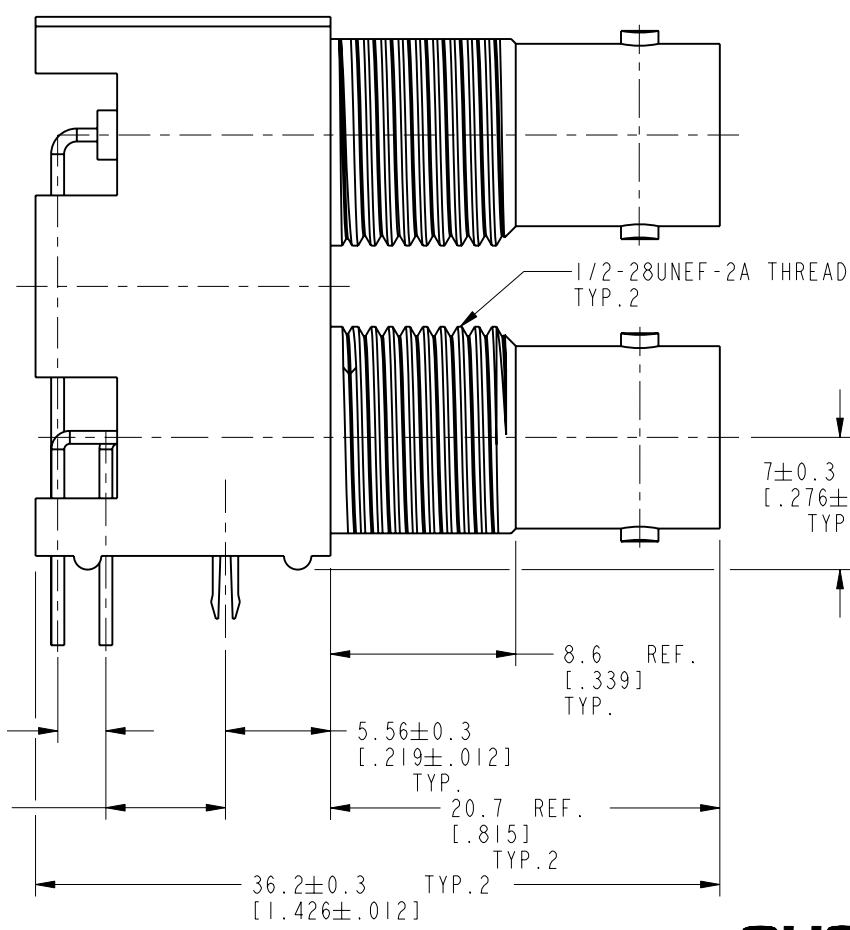
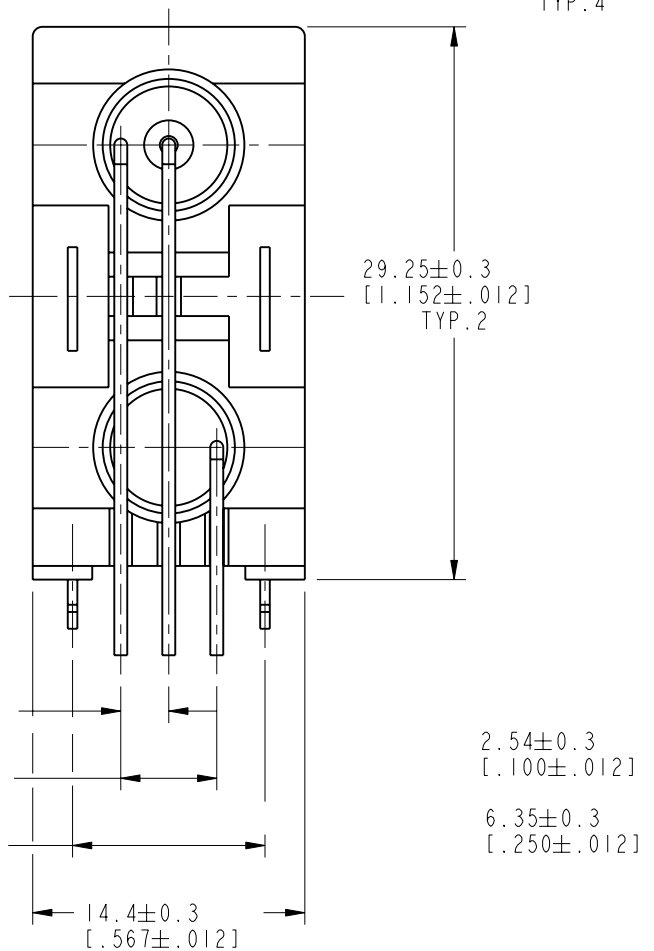
REV	DESCRIPTION	DATE	ECO	APPR
NC	INITIAL RELEASE	11-Apr-02	-----	GRS
A	REVISE CONTACT PIN MATERIAL/UPDATE DRAWING FORMAT	11-Dec-07	-----	GRS
B	SYNC, REDRAWN IN THE PRO-E	26-Jul-18	08761	BY



SCALE 1.000



RECOMMENDED MOUNTING HOLE



**CUSTOMER OUTLINE DRAWING**  
ALL OTHER SHEETS ARE FOR INTERNAL USE ONLY

UNLESS OTHERWISE SPECIFIED, DIMENSIONS ARE IN METRIC AND TOLERANCES ARE:  
 <0.5mm ±0.05mm    0.5 - 6mm ±0.1mm    6 - 30mm ±0.2mm    30 - 120mm ±0.3mm    ANGLES ±1°

NOTICE - These drawings, specifications, or other data (1) are, and remain the property of Amphenol corp. (2) must be returned upon request; and (3) are confidential and not to be disclosed to any person other than those to whom they are given by Amphenol Corp. the furnishing of these drawings, specifications, or other data by Amphenol Corp., or to any other person to anyone for any purpose is not to be regarded by implication or otherwise in any manner licensing, granting rights to permitting such holder or any other person to manufacture, use or sell any product, process or design, patented or otherwise, that may in any way be related to or disclosed by said drawings, specifications, or other data.

MATERIAL	
REFERENCE AND CONFIGURATION LEVEL: In Work	
FINISH	


DRAWN B. YE	DATE 16-Aug-18
ENGINEER L. QIN	DATE 16-Aug-18
APPROVED S. HSIEH	DATE 16-Aug-18
CAD FILE	

TITLE BNC DUAL PORTS R/A PCB MOUNT RECEPTACLE -BLACK 50ohm	
SCALE: 2.5:1.0	SHEET 2 OF 2
DWG SIZE B	REV B

Amphenol RF www.amphenolrf.com	
DRAWING NO. B705002-NPB3G-50-G	
ITEM NO. 017050AAD00MA5S	
PART NO. 112705	

## Looking for pricing, stock, or lifecycle information?

Click below to explore more details on WIN SOURCE:

 [View 112705 on WIN SOURCE](#)

 [Amphenol Information](#)

## Optimize Your Supply Chain with WIN SOURCE Solutions

-  Global Sourcing Solution
-  Obsolete Management
-  Cost Control Management
-  Shortage Management
-  Alternative Solution
-  Excess Inventory Management