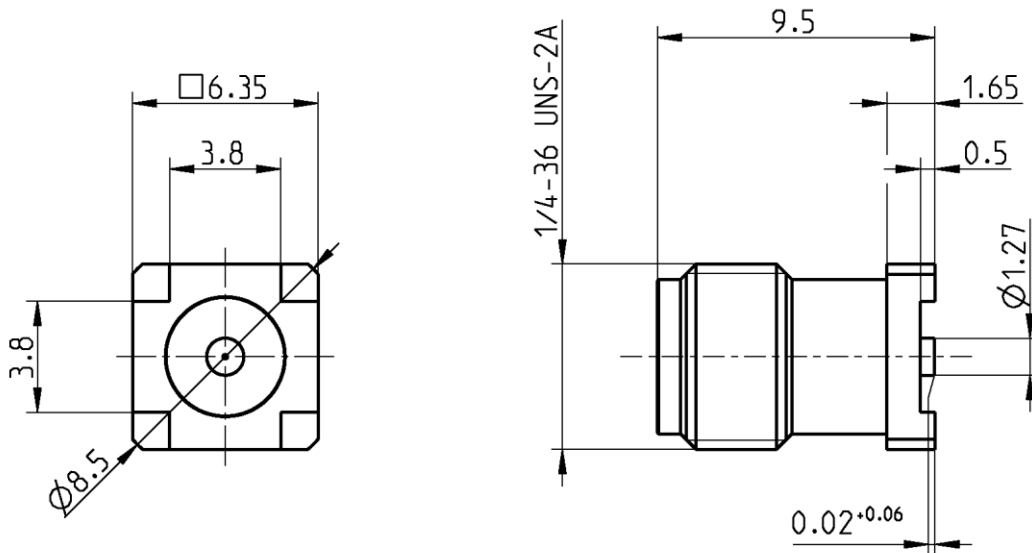




**THE DATASHEET OF  
32K10A-40ML5**





All dimensions are in mm; tolerances according to ISO 2768 m-H

**Interface**

According to IEC 60169-15, EN 122110, MIL-STD-348A, Fig. 310

**Documents**

PCB layout B 163  
Tape & reel packaging VG08.50000

**Material and plating**

**Connector parts**

Center contact	<b>Material</b>	CuBe
Outer contact		Brass
Dielectric		PTFE

**Plating**

AuroDur®, gold plated  
AuroDur®, gold plated

Dieses Dokument ist urheberrechtlich geschützt • This document is protected by copyright • Rosenberger Hochfrequenztechnik GmbH & Co. KG

RF\_35/09.14/6.2

**Electrical data**

Impedance	50 Ω
Frequency	DC to 12.4 GHz
VSWR	≤ 1.05 + 0.005 x f [GHz], DC to 8 GHz ≤ 1.30, 8 to 12.4 GHz
Insertion loss	≤ 0.04 x √f(GHz) dB
Insulation resistance	≥ 5 x 10 <sup>3</sup> MΩ
Center contact resistance	≤ 3 mΩ
Outer contact resistance	≤ 2 mΩ
Test voltage	1000 V rms
Working voltage	480 V rms
Power handling (at 20 °C, sea level, VSWR 1.0)	≤ 200 W @ 2 GHz; ≤ 100 W @ 10 GHz
RF-leakage	≥ 100 dB up to 1 GHz

- Connector only, VSWR in application depends decisive on PCB layout -

**Mechanical data**

Mating cycles	min. 100
Center contact captivation: axial	≥ 20 N
radial	≥ 1 Ncm
Coupling test torque	max. 0.6 Nm
Recommended torque	0.5 Nm

**Environmental data**

Temperature range	-55°C to +155°C
Thermal shock	MIL-STD-202, Meth. 107, Cond. B
Corrosion	MIL-STD-202, Meth. 101, Cond. B
Vibration	MIL-STD-202, Meth. 204, Cond. D
Shock	MIL-STD-202, Meth. 213, Cond. I
Moisture resistance	MIL-STD-202, Meth. 106
Max. soldering temperature	IEC 61760-1, +260°C for 10 sec.
RoHS	compliant

**Tooling**

N/A

**Suitable cables**

N/A

**Weight**

Weight 1.19 g/pce

While the information has been carefully compiled to the best of our knowledge, nothing is intended as representation or warranty on our part and no statement herein shall be construed as recommendation to infringe existing patents. In the effort to improve our products, we reserve the right to make changes judged to be necessary.

For the installation of the electrotechnical equipment, particular electrotechnical expertise is required.



Draft	Date	Approved	Date	Rev.	Engineering change number	Name	Date
Rong Fang	22.04.04	Chr. Janßen	04.11.20	h00	20-1927	S. Huber-Siegl	04.11.20

## Looking for pricing, stock, or lifecycle information?

Click below to explore more details on WIN SOURCE:

- [View 32K10A-40ML5 on WIN SOURCE](#)
- [Rosenberger Hochfrequenztechnik GmbH & Co. KG Information](#)

## Optimize Your Supply Chain with WIN SOURCE Solutions

- ✓ Global Sourcing Solution
- ✓ Obsolete Management
- ✓ Cost Control Management
- ✓ Shortage Management
- ✓ Alternative Solution
- ✓ Excess Inventory Management