



**THE DATASHEET OF**  
**4206**





## SMT / Solderable Standoff Nuts – M3 x 6mm – 10 pack

PRODUCT ID: 4206

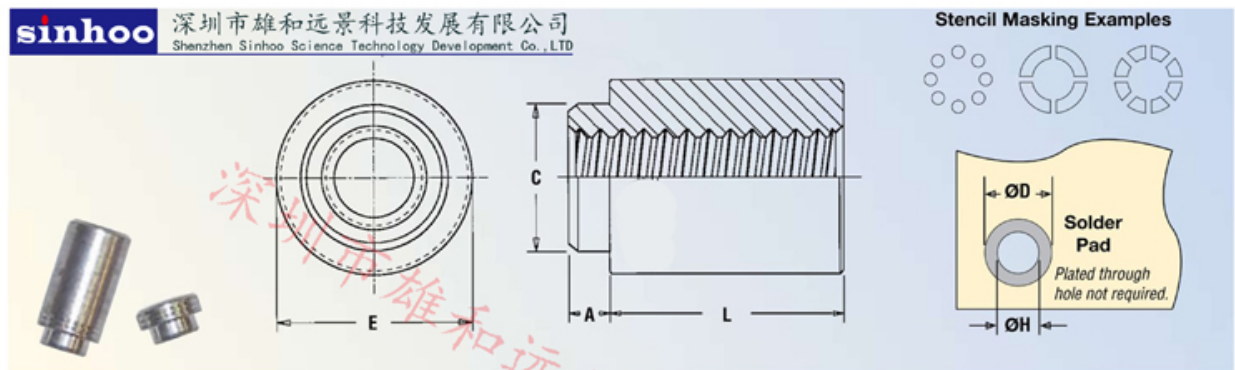
These brilliant solder-able standoffs will make your mechanical PCB mounting problems go away. They're super simple – round M3 standoffs that are coated with tin so you can solder them in an oven or with a very powerful soldering iron & some patience. All you have to do is put a 4.25mm hole with 6.2mm solder ring on your PCB, then this components snout goes into the PCB, and solder it in place. The part is incredibly strong and saves you a hex nut or standoff. You don't even need a plated through hole (although it's recommend since they're stronger).

Fully threaded and works with any M3 machine screw

Need slightly shorter M3 standoffs? [We also have a 10-pack of 3mm height!](#)

# TECHNICAL DETAILS

- 5.56mm diameter x 7.5mm total height (6mm above PCB, 1.5mm seated length)
- [Diagram](#)





All dimensions are in millimeters.

	Thread Size x Pitch	Thru Hole +0.10 -0.08	Type	Thread or Thru Hole Code	Length Code "L" ±0.13 (Length code in millimeters)						Min. Sheet Thickness	A Max.	C Max.	E ±0.13	ØH Hole Size In Sheet +0.08	ØD Min. Solder Pad
					2	3	4	6	8	10						
METRIC	M2 x 0.4	—	SMTSO	M2	2	3	4	6	8	10	1.53	1.53	3.6	5.56	3.73	6.2
	M2.5 x 0.45	—	SMTSO	M25	2	3	4	6	8	10	1.53	1.53	4.09	5.56	4.22	6.2
	M3 x 0.5	—	SMTSO	M3	2	3	4	6	8	10	1.53	1.53	4.09	5.56	4.22	6.2
	M3.5 x 0.6	—	SMTSO	M35	2	3	4	6	8	10	1.53	1.53	5.28	7.14	5.41	7.77
	M4 x 0.7	—	SMTSO	M4	2	3	4	6	8	10	1.53	1.53	6.22	8.74	6.35	9.37
	—	3.6	SMTSO	3.6	2	3	4	6	8	10	1.53	1.53	5.28	7.14	5.41	7.77
	—	4.2	SMTSO	4.2	2	3	4	6	8	10	1.53	1.53	6.22	8.74	6.35	9.37

## Looking for pricing, stock, or lifecycle information?

Click below to explore more details on WIN SOURCE:

-  [View 4206 on WIN SOURCE](#)
-  [Adafruit Industries LLC Information](#)

## Optimize Your Supply Chain with WIN SOURCE Solutions

-  Global Sourcing Solution
-  Obsolete Management
-  Cost Control Management
-  Shortage Management
-  Alternative Solution
-  Excess Inventory Management