



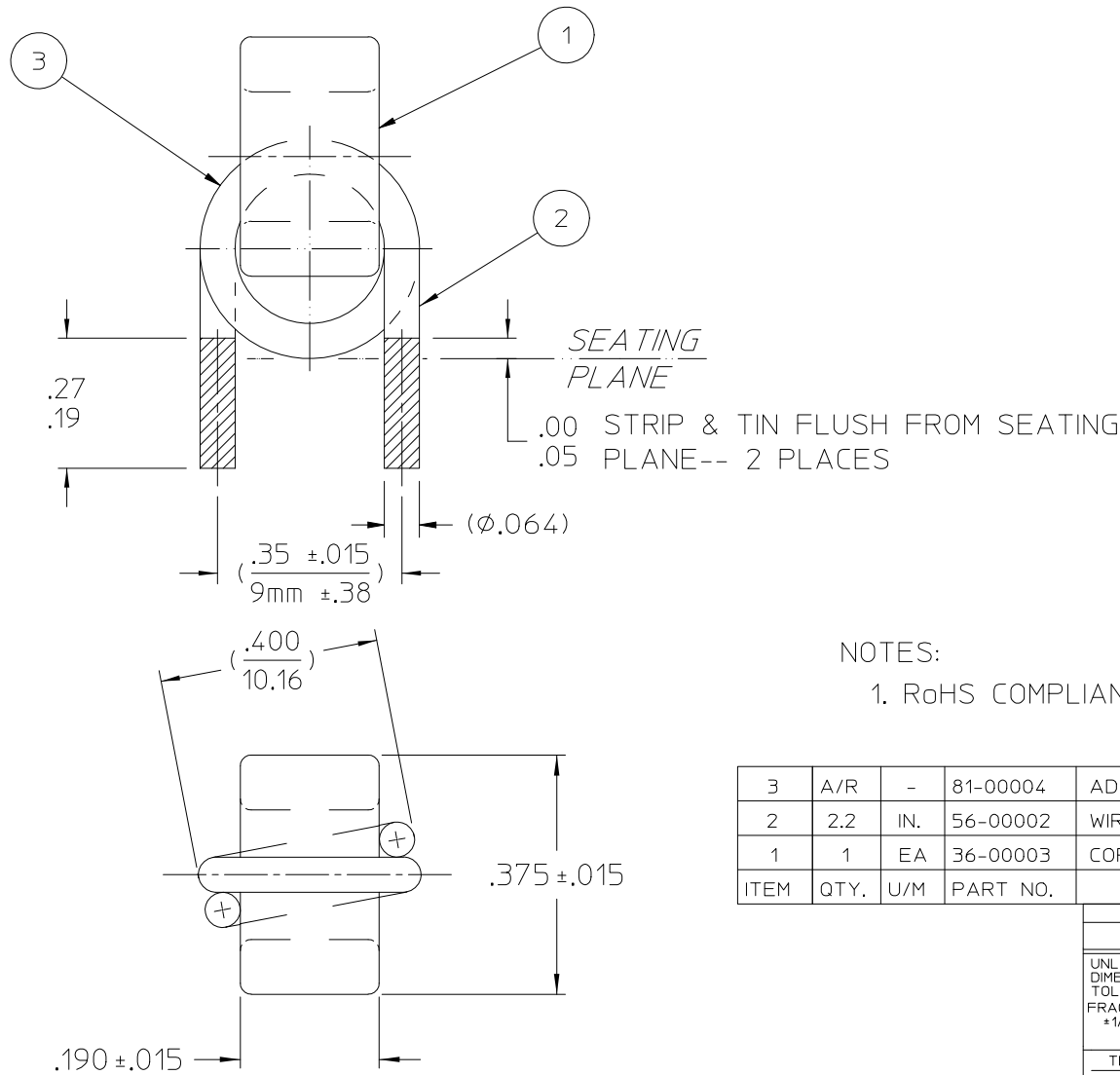
THE DATASHEET OF
30268



VICOR CONFIDENTIAL

THIS DOCUMENT AND THE DATA DISCLOSED HEREIN OR HEREWITH IS NOT TO BE REPRODUCED, USED, OR DISCLOSED IN WHOLE OR IN PART TO ANYONE WITHOUT PERMISSION OF VICOR CORP.


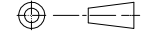
REV.	DESCRIPTION	DATE	APPROVED
1	RELEASED PER ECO Request E064424 REJH	08/16/06	MB



NOTES:


1. RoHS COMPLIANT, LEAD FREE PER CST-0001 LATEST REVISION.

ITEM	QTY.	U/M	PART NO.	DESCRIPTION	MAT'L. SPEC.
3	A/R	-	81-00004	ADHESIVE, SICOMET 7000 AND / OR LOCTITE	38240
2	2.2	IN.	56-00002	WIRE, COPPER, SOLID. #14AWG, MAGNET	
1	1	EA	36-00003	CORE, .2uH, OUTPUT	MICROMETALS-T38-26

DRAWN BY <i>P.E.IENI</i>		DATE 08/15/05		 INDUCTOR ASSY OUTPUT, .2 uH	
<small>UNLESS OTHERWISE SPECIFIED DIMENSIONS ARE IN INCHES - TOLERANCES ARE:</small> <small>FRACTIONS DECIMALS ANGLES</small> <small>*1/64 .XX=+.03 ±1°</small> <small>.XXX=+.010</small>					
THIRD ANGLE PROJECTION		SIZE	FSCM NO.	DWG NO	REV
 DO NOT SCALE DRAWING		B	67131	30268	1
SCALE				SHEET 1 OF 1	

Looking for pricing, stock, or lifecycle information?

Click below to explore more details on WIN SOURCE:

 [View 30268](#) on WIN SOURCE

 [Vicor Corporation](#) Information

Optimize Your Supply Chain with WIN SOURCE Solutions

-  Global Sourcing Solution
-  Obsolete Management
-  Cost Control Management
-  Shortage Management
-  Alternative Solution
-  Excess Inventory Management