



**THE DATASHEET OF  
ACS37800KMACTR-030B3-I2C**



## Isolated, Digital Output, Power Monitoring IC with Zero-Crossing Detection, Overcurrent and Overvoltage Flagging

### FEATURES AND BENEFITS

- Accurate power monitoring for AC and DC applications
- UL 62368-1 (edition 2) certified for reinforced isolation
- Accurate measurements of active, reactive, and apparent power, as well as power factor
- Separate RMS and instantaneous measurements for both voltage and current channels
- Two programmable averaging blocks
- Low primary conductor resistance for low power loss and high inrush current withstand capability
- Compatible with floating and non-floating GND
- Dedicated voltage or current zero crossing pin
- Fast, user-programmable overcurrent fault pin (5  $\mu$ s typ.)
- User-programmable undervoltage and overvoltage RMS thresholds
- 1 kHz bandwidth
- Current sensing range up to 90 A
- Options for I<sup>2</sup>C or SPI digital interface protocols

### DESCRIPTION

The Allegro ACS37800 power monitoring IC greatly simplifies the addition of power monitoring to many AC or DC powered systems. The sensor may be powered from the same supply as the system MCU, eliminating the need for multiple power supplies. The device construction includes a copper conduction path that generates a magnetic field proportional to applied current. The magnetic field is sensed differentially to reject errors introduced by common mode fields.

Allegro Hall-effect-based, galvanically isolated current sensing technology achieves reinforced isolation ratings in a small PCB footprint. These features enable isolated current sensing without expensive Rogowski coils, oversized current transformers, isolated operational amplifiers, or the power loss of shunt resistors.

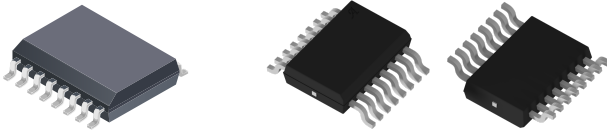
The ACS37800 power monitoring IC offers key power measurement parameters that can easily be accessed through its SPI or I<sup>2</sup>C digital protocol interfaces. Dedicated and configurable I/O pins for voltage/current zero crossing, undervoltage and overvoltage reporting, and fast overcurrent fault detection are available in I<sup>2</sup>C mode. User configuration of the IC is available through on-chip EEPROM.

The ACS37800 is provided in the SOIC16 wide-body package, is lead (Pb) free, and is fully calibrated prior to shipment from the Allegro factory. Customer calibration can further increase accuracy in application.

### PACKAGE

16-pin SOICW (suffix MA)

16-pin SOICW (suffix MC)



Not to scale

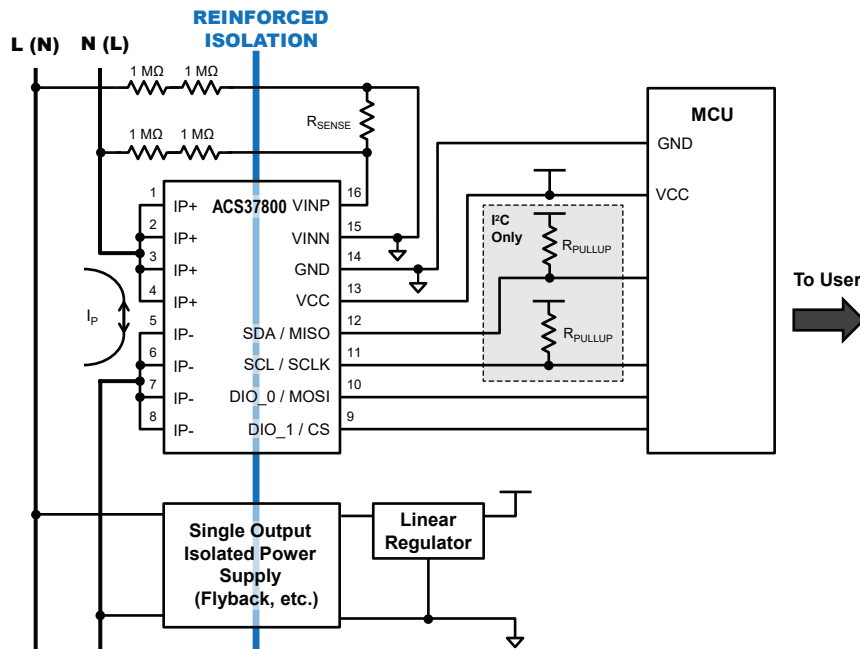


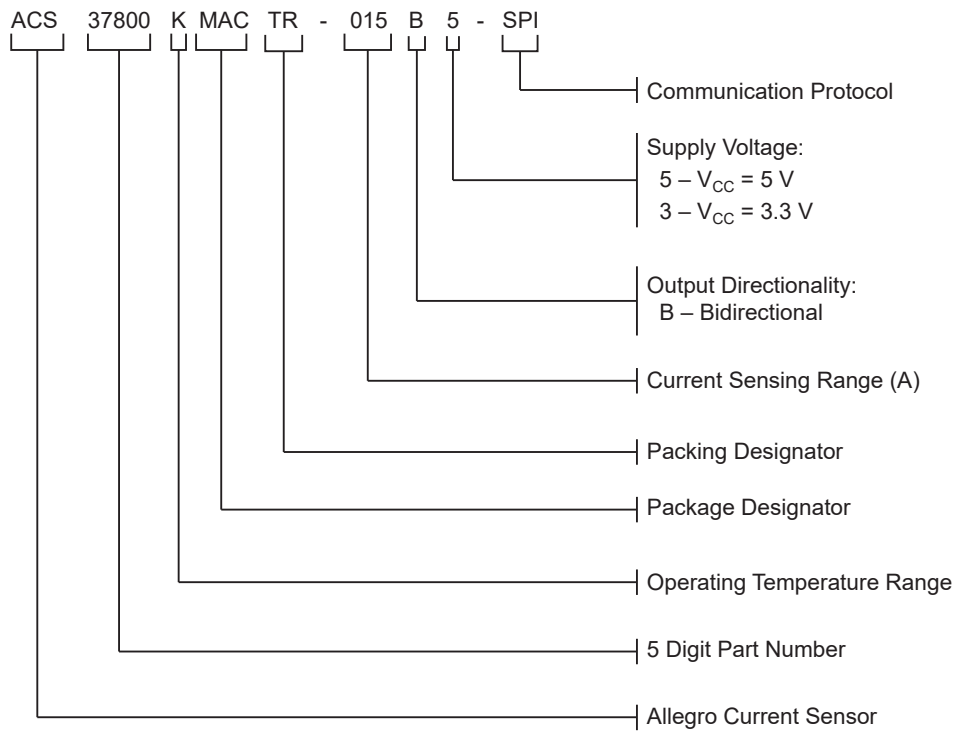
Figure 1: Typical Application

# ACS37800

## Isolated, Digital Output, Power Monitoring IC with Zero-Crossing Detection, Overcurrent and Overvoltage Flagging

### SELECTION GUIDE

Part Number	V <sub>CC(typ)</sub> (V)	I <sub>PR</sub> Current Sensing Range (A)	Communication Protocol	Package	T <sub>A</sub> (°C)	Packing
ACS37800KMACTR-015B5-SPI	5	±15	SPI	MA	-40 to 125	Tape and reel, 1000 pieces per reel, 3000 pieces per box
ACS37800KMACTR-030B3-SPI	3.3	±30				
ACS37800KMACTR-030B3-I2C	3.3	±30	I <sup>2</sup> C			
ACS37800KMACTR-090B3-I2C	3.3	±90				
ACS37800KMCTR-030B5-SPI-A	5	±30	SPI	MC	-40 to 125	Tape and reel, 1000 pieces per reel, 3000 pieces per box
ACS37800KMCTR-030B3-SPI-A	3.3	±30				
ACS37800KMCTR-030B5-I2C-A	5	±30	I <sup>2</sup> C			
ACS37800KMCTR-030B3-I2C-A	3.3	±30				



### ABSOLUTE MAXIMUM RATINGS

Characteristic	Symbol	Notes	Rating	Units
Supply Voltage	$V_{CC}$		6.5	V
Reverse Supply Voltage	$V_{RCC}$		-0.5	V
Input Voltage	$V_{INP}, V_{INN}$		$V_{CC} + 0.5$	V
Reverse Input Voltage	$V_{RNP}, V_{RNN}$		-0.5	V
Digital I/O Voltage	$V_{DIO}$	SPI, I <sup>2</sup> C, and general purpose I/O	6	V
Reverse Digital I/O Voltage	$V_{RDIO}$		-0.5	V
Operating Ambient Temperature	$T_A$	Range K	-40 to 125	°C
Junction Temperature	$T_{J(max)}$		165	°C
Storage Temperature	$T_{stg}$		-65 to 170	°C

### MA PACKAGE ISOLATION CHARACTERISTICS

Characteristic	Symbol	Notes	Rating	Unit
Withstand Voltage [1][2]	$V_{ISO}$	Agency type-tested for 60 seconds per UL 62368-1 (edition 3)	5000	$V_{RMS}$
Working Voltage for Basic Isolation [2]	$V_{WVBI}$	Maximum approved working voltage for basic (single) isolation according to UL 62368-1 (edition 3)	1550	$V_{PK}$ or VDC
			1097	$V_{RMS}$
Working Voltage for Reinforced Isolation [2]	$V_{WVRI}$	Maximum approved working voltage for reinforced isolation according to UL 62368-1 (edition 3)	800	$V_{PK}$ or VDC
			565	$V_{RMS}$
Impulse Withstand Voltage [2]	$V_{IMPULSE}$	Tested $\pm 5$ pulses at 2/minute in compliance to IEC 61000-4-5, 1.2 $\mu s$ (rise) / 50 $\mu s$ (width)	6000	$V_{PK}$
Clearance	$D_{CL}$	Minimum distance through air from IP leads to signal leads	8	mm
Creepage	$D_{CR}$	Minimum distance along package body from IP leads to signal leads	8	mm
Distance Through Insulation	DTI	Minimum internal distance through insulation	105	$\mu m$
Comparative Tracking Index	CTI	Material Group II	400 to 599	V

[1] 100% Production-tested for 1 second in accordance with UL 62368-1 (edition 3).

[2] Certification pending.

### MA PACKAGE CHARACTERISTICS

Characteristic	Symbol	Notes	Min.	Typ.	Max.	Unit
Internal Conductor Resistance	$R_{IC}$	$T_A = 25^\circ C$	-	0.85	-	m $\Omega$
Internal Conductor Inductance	$L_{IC}$	$T_A = 25^\circ C$	-	4.2	-	nH
Moisture Sensitivity Level	MSL	Per IPC/JEDEC J-STD-020	-	3	-	-

### MC PACKAGE ISOLATION CHARACTERISTICS

Characteristic	Symbol	Notes	Rating	Unit
Withstand Voltage [1][2]	$V_{ISO}$	Agency type-tested for 60 seconds per UL 62368-1 (edition 3)	5000	$V_{RMS}$
Working Voltage for Basic Isolation [2]	$V_{WVBI}$	Maximum approved working voltage for basic (single) isolation according to UL 62368-1 (edition 3)	1618	$V_{PK}$ or VDC
			1160	$V_{RMS}$
Working Voltage for Reinforced Isolation [2]	$V_{WVRI}$	Maximum approved working voltage for reinforced isolation according to UL 62368-1 (edition 3)	809	$V_{PK}$ or VDC
			580	$V_{RMS}$
Impulse Withstand Voltage [2]	$V_{IMPULSE}$	Tested $\pm 5$ pulses at 2/minute in compliance to IEC 61000-4-5, 1.2 $\mu s$ (rise) / 50 $\mu s$ (width)	6000	$V_{PK}$
Clearance	$D_{cl}$	Minimum distance through air from IP leads to signal leads	8.7	mm
Creepage	$D_{cr}$	Minimum distance along package body from IP leads to signal leads	8.7	mm
Distance Through Insulation	DTI	Minimum internal distance through insulation	110	$\mu m$
Comparative Tracking Index	CTI	Material Group II	400 to 599	V

[1] 100% Production-tested for 1 second in accordance with UL 62368-1 (edition 3).

[2] Certification pending.

### MC PACKAGE CHARACTERISTICS

Characteristic	Symbol	Notes	Min.	Typ.	Max.	Unit
Internal Conductor Resistance	$R_{IC}$	$T_A = 25^\circ C$	–	0.265	–	m $\Omega$
Internal Conductor Inductance	$L_{IC}$	$T_A = 25^\circ C$	–	4.5	–	nH
Moisture Sensitivity Level	MSL	Per IPC/JEDEC J-STD-020	–	3	–	–

### THERMAL CHARACTERISTICS

Characteristic	Symbol	Notes	Value	Unit
<b>MA Package, 16-Pin SOICW</b>				
Package Thermal Resistance (Junction to Ambient)	$R_{\theta JA}$	Mounted on the standard MA/LA Current Sensor Evaluation Board (ACSEVB-MA16-LA16)	20	$^\circ C/W$
Package Thermal Metric (Junction to Top)	$\Psi_{JT}$		2.4	$^\circ C/W$
Package Thermal Resistance (Junction to Case)	$R_{\theta JC}$	Simulated per the methods in JESD51-1	14	$^\circ C/W$
Package Thermal Resistance (Junction to Board)	$R_{\theta JB}$	Simulated per the methods in JESD51-8	14	$^\circ C/W$
<b>MC Package, 16-Pin SOICW</b>				
Package Thermal Resistance (Junction to Ambient)	$R_{\theta JA}$	Mounted on the standard MC Current Sensor Evaluation Board (ACSEVB-MC16)	19	$^\circ C/W$
Package Thermal Characterization (Junction to Top)	$\Psi_{JT}$		2.4	$^\circ C/W$
Package Thermal Resistance (Junction to Case)	$R_{\theta JC}$	Simulated per the methods in JESD51-1	15	$^\circ C/W$
Package Thermal Resistance (Junction to Board)	$R_{\theta JB}$	Simulated per the methods in JESD51-8	7.3	$^\circ C/W$

### FUNCTIONAL BLOCK DIAGRAM

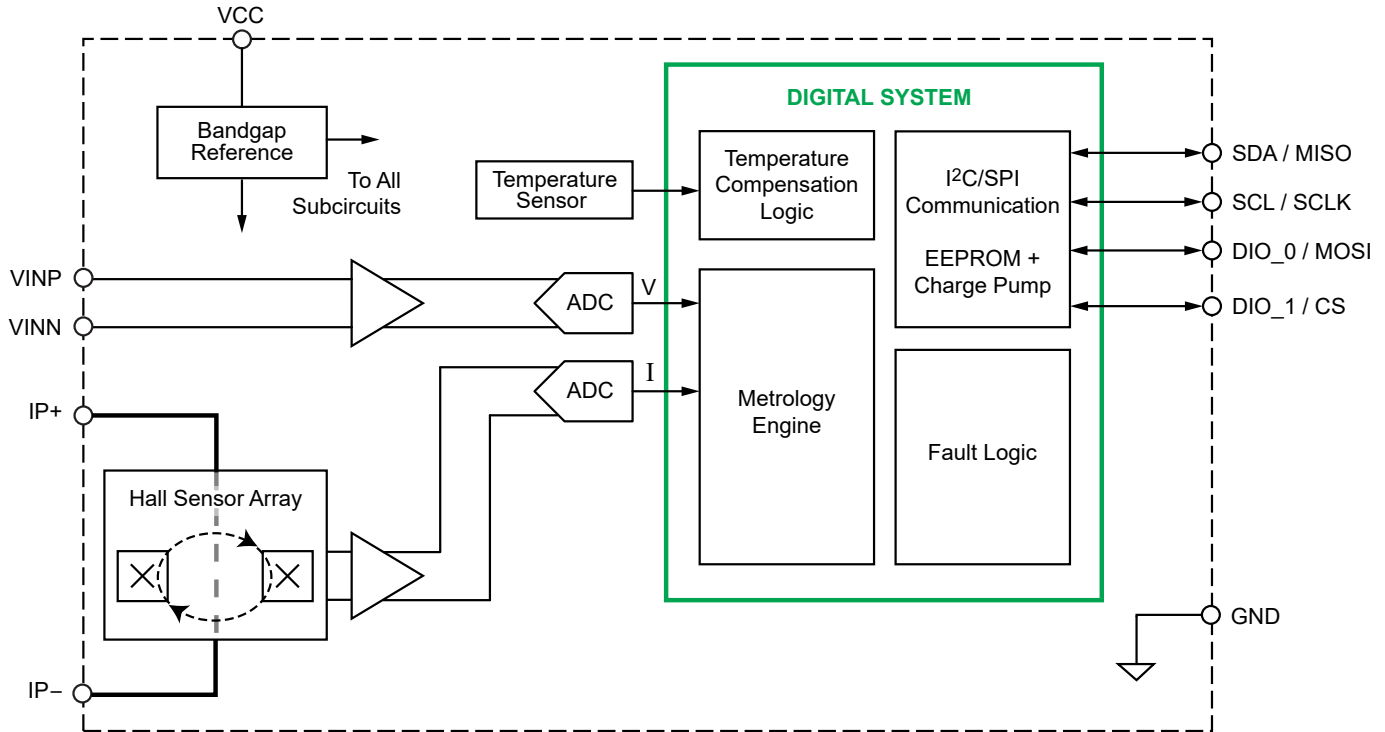
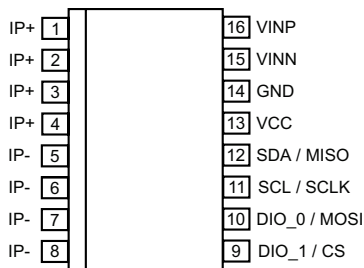


Figure 2: Functional Block Diagram

### PINOUT DIAGRAM AND TERMINAL LIST



Pinout Diagram

#### Terminal List Table

Number	Name	Description	
		I <sup>2</sup> C	SPI
1, 2, 3, 4	IP+	Terminals for current being sensed; connected internally	
5, 6, 7, 8	IP-	Terminals for current being sensed; connected internally	
9	DIO_1/CS	Digital I/O 1	Chip Select (CS)
10	DIO_0/MOSI	Digital I/O 0	MOSI
11	SCL/SCLK	SCL	SCLK
12	SDA/MISO	SDA	MISO
13	VCC	Device power supply terminal	
14	GND	Device ground terminal	
15	VINN	Negative input voltage (always connect to GND)	
16	VINP	Positive input voltage	

### Table of Contents

Features and Benefits.....	1	Configuring the Device for AC Applications.....	24
Description.....	1	Device EEPROM Settings.....	24
Package.....	1	Voltage Measurement.....	24
Typical Application.....	1	Current Measurement.....	26
Selection Guide.....	2	Configuring the Device for DC Applications.....	26
Absolute Maximum Ratings.....	3	Device EEPROM Settings.....	26
MA Isolation and Package Characteristics.....	3	Voltage Measurement.....	26
MC Isolation and Package Characteristics.....	4	Current Measurement.....	26
Thermal Characteristics.....	4	RMS and Power Accuracy vs. Operation Point.....	27
Functional Block Diagram.....	5	RMS and Power Output Error vs. Applied Input.....	27
Pinout Diagram and Terminal List.....	5	15B5 IRMS and Power Error.....	28
Common Electrical Characteristics.....	7	30B3 IRMS and Power Error.....	28
ACS37800KMC-XXXB5 Performance Characteristics.....	9	90B3 IRMS and Power Error.....	28
ACS37800KMC-XXXB3 Performance Characteristics.....	11	Digital Communication.....	29
ACS37800KMC-XXXB3 Performance Characteristics.....	12	Communication Interfaces.....	29
15B5 Performance Characteristics.....	13	SPI.....	29
30B3 Performance Characteristics.....	14	Registers and EEPROM.....	29
90B3 Performance Characteristics.....	15	EEPROM Error Checking and Correction (ECC).....	31
I <sup>2</sup> C Operating Characteristics.....	16	I <sup>2</sup> C Peripheral Addressing.....	31
SPI Operating Characteristics.....	17	EEPROM/Shadow Memory Map.....	32
Theory of Operation.....	18	Register Details – EEPROM.....	33
Voltage and Current Measurements.....	18	Volatile Memory Map.....	38
Overcurrent Measurement Path.....	18	Register Details – Volatile.....	39
Trim Methods.....	18	Thermal Performance.....	44
Power Calculations.....	19	Thermal Rise vs. Primary Current.....	44
Operational Block Diagram.....	20	Evaluation Board Layout.....	45
Configurable Settings.....	21	MA Package Outline Drawing.....	46
Configuring the DIO Pins (I <sup>2</sup> C Devices).....	21	MC Package Outline Drawing.....	47

# ACS37800

## Isolated, Digital Output, Power Monitoring IC with Zero-Crossing Detection, Overcurrent and Overvoltage Flagging

**COMMON ELECTRICAL CHARACTERISTICS** [1]: Valid through the full range of  $T_A$  and  $V_{CC} = V_{CC(typ)}$ , unless otherwise specified

Characteristic	Symbol	Test Conditions	Min.	Typ.	Max.	Unit
<b>ELECTRICAL CHARACTERISTICS</b>						
Supply Voltage	$V_{CC}$	5 V variant	4.5	5	5.5	V
		3.3 V variant	2.97	3.3	3.63	V
Supply Current	$I_{CC}$	$V_{CC(min)} \leq V_{CC} \leq V_{CC(max)}$ , no load on output pins	–	12	15	mA
Supply Bypass Capacitor	$C_{BYPASS}$	$V_{CC}$ to GND recommended	0.1	–	–	$\mu$ F
Power-On Time	$t_{PO}$		–	90	–	$\mu$ s
<b>VOLTAGE INPUT BUFFER</b>						
Differential Input Range	$\Delta V_{INR}$	$\Delta V_{IN} = V_{INP} - V_{INN(GND)}$	–250	–	250	mV
Dynamic Input Frequency	$f_{dyn\_in}$	BYPASS_N_EN = 0	35	–	300	Hz
<b>VOLTAGE CHANNEL ADC</b>						
Sample Frequency	$f_{S\_V}$		–	32	–	kHz
Number of Bits	$ADC_{V\_B}$		–	16	–	bits
ADC Full-Scale	$ADC_{V\_FS}$	$\Delta V_{IN} = \pm 250$ mV, $V_{INN} = GND$	–27500	–	27500	codes
Sensitivity	$Sens_{(V)}$	$\Delta V_{INR(min)} < \Delta V_{IN} < \Delta V_{INR(max)}$	–	110	–	LSB / mV
Voltage Channel Power Supply Error	$PSE_{V\_O}$	Ratio of change on $V_{CC}$ to change in offset at DC, 100% $\pm 10\%$ $V_{CC(typ)}$	–7	–	7	codes / % $V_{CC}$
	$PSE_{V\_S}$	Ratio of change on $V_{CC}$ to change in sensitivity at DC, 100% $\pm 10\%$ $V_{CC(typ)}$	–0.1	–	0.1	% / % $V_{CC}$
Voltage Channel Power Supply Rejection Ratio	$PSRR_{V\_O}$	Ratio of change on $V_{CC}$ to change in offset, 10 Hz to 10 kHz, 10% $V_{CC(pk-pk)}$	60	70	–	dB
	$PSRR_{V\_S}$	Ratio of change on $V_{CC}$ to change in sensitivity, 10 Hz to 10 kHz, 10% $V_{CC(pk-pk)}$	60	75	–	dB
<b>VOLTAGE CHANNEL</b>						
Internal Bandwidth	BW		–	1	–	kHz
RMS Noise	$N_V$	Input referred	–	$\pm 0.3$	–	mV
Linearity Error	$E_{LIN\_V}$		–	$\pm 0.2$	–	%
<b>CURRENT CHANNEL</b>						
Sample Frequency	$f_{S\_C}$		–	32	–	kHz
Number of Bits	$ADC_{I\_B}$		–	16	–	bits
ADC Full-Scale	$ADC_{I\_FS}$	$I_P = I_{PR(min)}$ or $I_{PR(max)}$	–27500	–	27500	codes
Current Channel Power Supply Error	$PSE_{I\_O}$	Ratio of change on $V_{CC}$ to change in offset at DC, 100% $\pm 10\%$ $V_{CC(typ)}$	–60	–	60	codes / % $V_{CC}$
	$PSE_{I\_S}$	Ratio of change on $V_{CC}$ to change in sensitivity at DC, 100% $\pm 10\%$ $V_{CC(typ)}$	–0.3	–	0.3	% / % $V_{CC}$
Current Channel Power Supply Rejection Ratio	$PSRR_{I\_O}$	Ratio of change on $V_{CC}$ to change in offset, 10 Hz to 10 kHz, 10% $V_{CC(pk-pk)}$	60	65	–	dB
	$PSRR_{I\_S}$	Ratio of change on $V_{CC}$ to change in sensitivity, 10 Hz to 10 kHz, 10% $V_{CC(pk-pk)}$	20	40	–	dB
Internal Bandwidth	BW		–	1	–	kHz

Continued on next page...

**COMMON ELECTRICAL CHARACTERISTICS [1] (continued):** Valid through the full range of  $T_A$  and  $V_{CC} = V_{CC(typ)}$ , unless otherwise specified

Characteristic	Symbol	Test Conditions	Min.	Typ.	Max.	Unit
<b>CURRENT CHANNEL (continued)</b>						
RMS Noise	$N_I$	MA only, input referred	–	±0.1	–	A
		MC only, input referred	–	±0.23	–	A
Linearity Error	$E_{LIN I}$		–	±1.5	–	%
<b>OVERCURRENT FAULT CHARACTERISTICS</b>						
Fault Response Time	$t_{RF}$	Time from $I_P$ rising above $I_{FAULT}$ until $V_{FAULT} < V_{FAULT(max)}$ for a current step from 0 to $1.2 \times I_{FAULT}$ ; 10 kΩ and 100 pF from DIO_1 to ground; FLTDLY = 0	–	5	–	μs
Internal Bandwidth	BW		–	200	–	kHz
Fault Hysteresis [2]	$I_{HYST}$		–	$0.06 \times FS$	–	A
Fault Range	$I_{FAULT}$	Set using FAULT field in EEPROM	$0.65 \times FS$	–	$2.00 \times FS$	A
<b>VOLTAGE ZERO CROSSING</b>						
Voltage Zero-Crossing Delay	$t_d$		–	250	–	μs
<b>DIO PINS</b>						
DIO Output High Level	$V_{OH(DIO)}$	$V_{CC} = 3.3 V$	3	–	–	V
DIO Output Low Level	$V_{OL(DIO)}$	$V_{CC} = 3.3 V$	–	–	0.3	V
DIO Input Voltage for Address Selection 0	$V_{ADD0}$	$V_{CC} = 3.3 V$	–	0	–	V
DIO Input Voltage for Address Selection 1	$V_{ADD1}$	$V_{CC} = 3.3 V$	–	1.1	–	V
DIO Input Voltage for Address Selection 2	$V_{ADD2}$	$V_{CC} = 3.3 V$	–	2.2	–	V
DIO Input Voltage for Address Selection 3	$V_{ADD3}$	$V_{CC} = 3.3 V$	–	3.3	–	V

[1] Device may be operated at higher primary current levels ( $I_P$ ), ambient temperatures ( $T_A$ ), and internal leadframe temperatures, provided that the maximum junction temperature ( $T_{J(max)}$ ) is not exceeded.

[2] After  $I_P$  goes above  $I_{FAULT}$ , tripping the internal fault comparator,  $I_P$  must go below  $I_{FAULT} - I_{HYST}$  before the internal fault comparator will reset.

**ACS37800KMC-XXXB5-A PERFORMANCE CHARACTERISTICS:** Valid through the full operating temperature range,  $T_A = -40^\circ\text{C}$  to  $125^\circ\text{C}$ ,  $C_{\text{BYPASS}} = 0.1 \mu\text{F}$ , and  $V_{\text{CC}} = 5 \text{ V}$ , unless otherwise specified

Characteristic	Symbol	Test Conditions	Min. [1]	Typ.	Max. [1]	Unit
<b>GENERAL CHARACTERISTICS</b>						
Nominal Supply Voltage	$V_{\text{CC}(\text{typ})}$		–	5	–	V
<b>NOMINAL PERFORMANCE – FACTORY CURRENT CHANNEL</b>						
Current Sensing Range	$I_{\text{PR}}$	$\text{DIG\_CRS\_SNS\_I} = 2$	–30	–	30	A
Sensitivity	$\text{Sens}_{(\text{I})}$	$I_{\text{PR}(\text{min})} < I_{\text{P}} < I_{\text{PR}(\text{max})}$ , $\text{DIG\_CRS\_SNS\_I} = 2$	–	916.7	–	LSB/A
<b>NOMINAL PERFORMANCE – INPUT REFERRED FACTORY POWER (POWER SEEN BY THE DEVICE) [2]</b>						
Active Power Sensitivity	$\text{Sens}_{\text{Pd\_act}}$		–3.08	–	3.08	LSB/mW
Imaginary Power Sensitivity	$\text{Sens}_{\text{Pd\_img}}$		–6.15	–	6.15	LSB/mVAR
Apparent Power Sensitivity	$\text{Sens}_{\text{Pd\_app}}$		–6.15	–	6.15	LSB/mVA
<b>TOTAL OUTPUT ERROR COMPONENTS [3] – CURRENT CHANNEL</b>						
Sensitivity Error	$E_{\text{SENS}(\text{I})}$	Measured at $I_{\text{P}} = I_{\text{PR}(\text{max})}$ , $T_A = 25^\circ\text{C}$ to $125^\circ\text{C}$	–1.9	–	1.9	%
		Measured at $I_{\text{P}} = I_{\text{PR}(\text{max})}$ , $T_A = -40^\circ\text{C}$ to $25^\circ\text{C}$	–2.4	–	2.4	%
Offset Error	$E_{\text{O}(\text{I})}$	$I_{\text{P}} = 0 \text{ A}$ , $T_A = 25^\circ\text{C}$ to $125^\circ\text{C}$ , $\text{DIG\_CRS\_SNS\_I} = 0$	–312	–	312	LSB
		$I_{\text{P}} = 0 \text{ A}$ , $T_A = -40^\circ\text{C}$ to $25^\circ\text{C}$ , $\text{DIG\_CRS\_SNS\_I} = 0$	–390	–	390	LSB
Input Referred Offset Error	$E_{\text{O}(\text{I})}$	$I_{\text{P}} = 0 \text{ A}$ , $T_A = 25^\circ\text{C}$ to $125^\circ\text{C}$	–340	–	340	mA
		$I_{\text{P}} = 0 \text{ A}$ , $T_A = -40^\circ\text{C}$ to $25^\circ\text{C}$	–426	–	426	mA
Total Output Error	$E_{\text{TOT}(\text{I})}$	Measured at $I_{\text{P}} = I_{\text{PR}(\text{max})}$ , $T_A = 25^\circ\text{C}$ to $125^\circ\text{C}$	–2.6	–	2.6	%
		Measured at $I_{\text{P}} = I_{\text{PR}(\text{max})}$ , $T_A = -40^\circ\text{C}$ to $25^\circ\text{C}$	–3.3	–	3.3	%
<b>TOTAL OUTPUT ERROR COMPONENTS [3] – VOLTAGE CHANNEL</b>						
Sensitivity Error	$E_{\text{SENS}(\text{V})}$	Measured at $\Delta V_{\text{IN}} = \Delta V_{\text{INR}(\text{max})}$ , $T_A = 25^\circ\text{C}$ to $125^\circ\text{C}$	–1.3	–	1.3	%
		Measured at $\Delta V_{\text{IN}} = \Delta V_{\text{INR}(\text{max})}$ , $T_A = -40^\circ\text{C}$ to $25^\circ\text{C}$	–1.5	–	1.5	%
Offset Error	$E_{\text{O}(\text{V})}$	$\Delta V_{\text{IN}} = 0 \text{ mV}$ , $T_A = 25^\circ\text{C}$ to $125^\circ\text{C}$	–40	–	40	LSB
		$\Delta V_{\text{IN}} = 0 \text{ mV}$ , $T_A = -40^\circ\text{C}$ to $25^\circ\text{C}$	–30	–	30	LSB
Total Output Error	$E_{\text{TOT}(\text{V})}$	Measured at $\Delta V_{\text{IN}} = \Delta V_{\text{INR}(\text{max})}$ , $T_A = 25^\circ\text{C}$ to $125^\circ\text{C}$	–1.3	–	1.3	%
		Measured at $\Delta V_{\text{IN}} = \Delta V_{\text{INR}(\text{max})}$ , $T_A = -40^\circ\text{C}$ to $25^\circ\text{C}$	–1.6	–	1.6	%
<b>ACCURACY PERFORMANCE – ACTIVE POWER</b>						
Total Output Error	$E_{\text{TOT}(\text{P})}$	$I_{\text{P}} = I_{\text{PR}(\text{max})}$ , measured at $\Delta V_{\text{IN}} = \Delta V_{\text{INR}(\text{max})}$ , $T_A = 25^\circ\text{C}$ to $125^\circ\text{C}$	–2.5	–	2.5	%
		$I_{\text{P}} = I_{\text{PR}(\text{max})}$ , measured at $\Delta V_{\text{IN}} = \Delta V_{\text{INR}(\text{max})}$ , $T_A = -40^\circ\text{C}$ to $25^\circ\text{C}$	–4	–	4	%

Continued on next page...

**ACS37800KMC-XXXB5-A PERFORMANCE CHARACTERISTICS:** Valid through the full operating temperature range,  $T_A = -40^\circ\text{C}$  to  $125^\circ\text{C}$ ,  $C_{\text{BYPASS}} = 0.1 \mu\text{F}$ , and  $V_{\text{CC}} = 5 \text{ V}$ , unless otherwise specified

Characteristic	Symbol	Test Conditions	Min. [1]	Typ.	Max. [1]	Unit
<b>TOTAL OUTPUT ERROR COMPONENTS INCLUDING LIFETIME [3] – CURRENT CHANNEL</b>						
Sensitivity Error	$E_{\text{SENS(I)}}$	Measured at $I_P = I_{\text{PR(max)}}$ , $T_A = 25^\circ\text{C}$ to $125^\circ\text{C}$	-3.4	-	3.4	%
		Measured at $I_P = I_{\text{PR(max)}}$ , $T_A = -40^\circ\text{C}$ to $25^\circ\text{C}$	-3.5	-	3.5	%
Offset Error	$E_{\text{O(I)}}$	$I_P = 0 \text{ A}$ , $T_A = 25^\circ\text{C}$ to $125^\circ\text{C}$ , $\text{DIG\_CRS\_SNS\_I} = 0$	-304	-	304	LSB
		$I_P = 0 \text{ A}$ , $T_A = -40^\circ\text{C}$ to $25^\circ\text{C}$ , $\text{DIG\_CRS\_SNS\_I} = 0$	-400	-	400	LSB
Input Referred Offset Error	$E_{\text{O(I)}}$	$I_P = 0 \text{ A}$ , $T_A = 25^\circ\text{C}$ to $125^\circ\text{C}$	-332	-	332	mA
		$I_P = 0 \text{ A}$ , $T_A = -40^\circ\text{C}$ to $25^\circ\text{C}$	-436	-	436	mA
Total Output Error	$E_{\text{TOT(I)}}$	Measured at $I_P = I_{\text{PR(max)}}$ , $T_A = 25^\circ\text{C}$ to $125^\circ\text{C}$	-3.4	-	3.4	%
		Measured at $I_P = I_{\text{PR(max)}}$ , $T_A = -40^\circ\text{C}$ to $25^\circ\text{C}$	-4.4	-	4.4	%
<b>TOTAL OUTPUT ERROR COMPONENTS INCLUDING LIFETIME [3] – VOLTAGE CHANNEL</b>						
Sensitivity Error	$E_{\text{SENS(V)}}$	Measured at $\Delta V_{\text{IN}} = \Delta V_{\text{INR(max)}}$ , $T_A = 25^\circ\text{C}$ to $125^\circ\text{C}$	-1.5	-	1.5	%
		Measured at $\Delta V_{\text{IN}} = \Delta V_{\text{INR(max)}}$ , $T_A = -40^\circ\text{C}$ to $25^\circ\text{C}$	-1.8	-	1.8	%
Offset Error	$E_{\text{O(V)}}$	$\Delta V_{\text{IN}} = 0 \text{ mV}$ , $T_A = 25^\circ\text{C}$ to $125^\circ\text{C}$	-39	-	39	LSB
		$\Delta V_{\text{IN}} = 0 \text{ mV}$ , $T_A = -40^\circ\text{C}$ to $25^\circ\text{C}$	-31	-	31	LSB
Total Output Error	$E_{\text{TOT(V)}}$	Measured at $\Delta V_{\text{IN}} = \Delta V_{\text{INR(max)}}$ , $T_A = 25^\circ\text{C}$ to $125^\circ\text{C}$	-1.6	-	1.6	%
		Measured at $\Delta V_{\text{IN}} = \Delta V_{\text{INR(max)}}$ , $T_A = -40^\circ\text{C}$ to $25^\circ\text{C}$	-1.9	-	1.9	%
<b>ACCURACY PERFORMANCE INCLUDING LIFETIME – ACTIVE POWER</b>						
Total Output Error	$E_{\text{TOT(P)}}$	$I_P = I_{\text{PR(max)}}$ , measured at $\Delta V_{\text{IN}} = \Delta V_{\text{INR(max)}}$ , $T_A = 25^\circ\text{C}$ to $125^\circ\text{C}$	-4	-	4	%
		$I_P = I_{\text{PR(max)}}$ , measured at $\Delta V_{\text{IN}} = \Delta V_{\text{INR(max)}}$ , $T_A = -40^\circ\text{C}$ to $25^\circ\text{C}$	-5	-	5	%

[1] "Min." and "Max." interval for performance characteristics is determined such that 99.73% of devices lie within the interval during initial characterization. The worst case of mean  $\pm 3\sigma$  was calculated and applied symmetrically. These values can drift after solder reflow and over lifetime operation.

[2] These sensitivity characteristics are referred to the inputs seen by the device, i.e. the voltage channel resistor divider must be accounted to determine the system sensitivities.

[3]  $E_{\text{TOT}} = E_{\text{SENS}} + 100 \times V_{\text{OE}} / (\text{Sens} \times I_P)$

# ACS37800

## Isolated, Digital Output, Power Monitoring IC with Zero-Crossing Detection, Overcurrent and Overvoltage Flagging

**ACS37800KMC-XXXB3-A PERFORMANCE CHARACTERISTICS:** Valid through the full operating temperature range,  $T_A = -40^\circ\text{C}$  to  $125^\circ\text{C}$ ,  $C_{\text{BYPASS}} = 0.1 \mu\text{F}$ , and  $V_{\text{CC}} = 3.3 \text{ V}$ , unless otherwise specified

Characteristic	Symbol	Test Conditions	Min. [1]	Typ.	Max. [1]	Unit
<b>GENERAL CHARACTERISTICS</b>						
Nominal Supply Voltage	$V_{\text{CC}(\text{typ})}$		–	3.3	–	V
<b>NOMINAL PERFORMANCE – CURRENT CHANNEL</b>						
Current Sensing Range	$I_{\text{PR}}$	$\text{DIG\_CRS\_SNS\_I} = 2$	–30	–	30	A
Sensitivity	$\text{Sens}_{(\text{I})}$	$I_{\text{PR}(\text{min})} < I_{\text{P}} < I_{\text{PR}(\text{max})}$ , $\text{DIG\_CRS\_SNS\_I} = 2$	–	916.7	–	LSB/A
<b>NOMINAL PERFORMANCE – INPUT REFERRED FACTORY POWER (POWER SEEN BY THE DEVICE) [2]</b>						
Active Power Sensitivity	$\text{Sens}_{\text{Pd\_act}}$		–3.08	–	3.08	LSB/mW
Imaginary Power Sensitivity	$\text{Sens}_{\text{Pd\_img}}$		–6.15	–	6.15	LSB/mVAR
Apparent Power Sensitivity	$\text{Sens}_{\text{Pd\_app}}$		–6.15	–	6.15	LSB/mVA
<b>TOTAL OUTPUT ERROR COMPONENTS [3] – CURRENT CHANNEL</b>						
Sensitivity Error	$E_{\text{SENS}(\text{I})}$	Measured at $I_{\text{P}} = I_{\text{PR}(\text{max})}$ , $T_A = 25^\circ\text{C}$ to $125^\circ\text{C}$	–1.3	–	1.3	%
		Measured at $I_{\text{P}} = I_{\text{PR}(\text{max})}$ , $T_A = -40^\circ\text{C}$ to $25^\circ\text{C}$	–1.9	–	1.9	%
Offset Error	$E_{\text{O}(\text{I})}$	$I_{\text{P}} = 0 \text{ A}$ , $T_A = 25^\circ\text{C}$ to $125^\circ\text{C}$ , $\text{DIG\_CRS\_SNS\_I} = 0$	–421	–	421	LSB
		$I_{\text{P}} = 0 \text{ A}$ , $T_A = -40^\circ\text{C}$ to $25^\circ\text{C}$ , $\text{DIG\_CRS\_SNS\_I} = 0$	–620	–	620	LSB
Input Referred Offset Error	$E_{\text{O}(\text{I})}$	$I_{\text{P}} = 0 \text{ A}$ , $T_A = 25^\circ\text{C}$ to $125^\circ\text{C}$	–460	–	460	mA
		$I_{\text{P}} = 0 \text{ A}$ , $T_A = -40^\circ\text{C}$ to $25^\circ\text{C}$	–677	–	677	mA
Total Output Error	$E_{\text{TOT}(\text{I})}$	Measured at $I_{\text{P}} = I_{\text{PR}(\text{max})}$ , $T_A = 25^\circ\text{C}$ to $125^\circ\text{C}$	–2.5	–	2.5	%
		Measured at $I_{\text{P}} = I_{\text{PR}(\text{max})}$ , $T_A = -40^\circ\text{C}$ to $25^\circ\text{C}$	–3.7	–	3.7	%
<b>TOTAL OUTPUT ERROR COMPONENTS [3] – VOLTAGE CHANNEL</b>						
Sensitivity Error	$E_{\text{SENS}(\text{V})}$	Measured at $\Delta V_{\text{IN}} = \Delta V_{\text{INR}(\text{max})}$ , $T_A = 25^\circ\text{C}$ to $125^\circ\text{C}$	–1.0	–	1.0	%
		Measured at $\Delta V_{\text{IN}} = \Delta V_{\text{INR}(\text{max})}$ , $T_A = -40^\circ\text{C}$ to $25^\circ\text{C}$	–1.1	–	1.1	%
Offset Error	$E_{\text{O}(\text{V})}$	$\Delta V_{\text{IN}} = 0 \text{ mV}$ , $T_A = 25^\circ\text{C}$ to $125^\circ\text{C}$	–25	–	25	LSB
		$\Delta V_{\text{IN}} = 0 \text{ mV}$ , $T_A = -40^\circ\text{C}$ to $25^\circ\text{C}$	–25	–	25	LSB
Total Output Error	$E_{\text{TOT}(\text{V})}$	Measured at $\Delta V_{\text{IN}} = \Delta V_{\text{INR}(\text{max})}$ , $T_A = 25^\circ\text{C}$ to $125^\circ\text{C}$	–1.0	–	1.0	%
		Measured at $\Delta V_{\text{IN}} = \Delta V_{\text{INR}(\text{max})}$ , $T_A = -40^\circ\text{C}$ to $25^\circ\text{C}$	–1.1	–	1.1	%
<b>ACCURACY PERFORMANCE – ACTIVE POWER</b>						
Total Output Error	$E_{\text{TOT}(\text{P})}$	$I_{\text{P}} = I_{\text{PR}(\text{max})}$ , measured at $\Delta V_{\text{IN}} = \Delta V_{\text{INR}(\text{max})}$ , $T_A = 25^\circ\text{C}$ to $125^\circ\text{C}$	–2.8	–	2.8	%
		$I_{\text{P}} = I_{\text{PR}(\text{max})}$ , measured at $\Delta V_{\text{IN}} = \Delta V_{\text{INR}(\text{max})}$ , $T_A = -40^\circ\text{C}$ to $25^\circ\text{C}$	–4.0	–	4.0	%

Continued on next page...

# ACS37800

## Isolated, Digital Output, Power Monitoring IC with Zero-Crossing Detection, Overcurrent and Overvoltage Flagging

**ACS37800KMC-XXXB3-A PERFORMANCE CHARACTERISTICS:** Valid through the full operating temperature range,  $T_A = -40^\circ\text{C}$  to  $125^\circ\text{C}$ ,  $C_{\text{BYPASS}} = 0.1 \mu\text{F}$ , and  $V_{\text{CC}} = 3.3 \text{ V}$ , unless otherwise specified

Characteristic	Symbol	Test Conditions	Min. [1]	Typ.	Max. [1]	Unit
<b>TOTAL OUTPUT ERROR COMPONENTS INCLUDING LIFETIME [3] – CURRENT CHANNEL</b>						
Sensitivity Error	$E_{\text{SENS(I)}}$	Measured at $I_P = I_{\text{PR(max)}}$ , $T_A = 25^\circ\text{C}$ to $125^\circ\text{C}$	-1.7	-	1.7	%
		Measured at $I_P = I_{\text{PR(max)}}$ , $T_A = -40^\circ\text{C}$ to $25^\circ\text{C}$	-2.9	-	2.9	%
Offset Error	$E_{\text{O(I)}}$	$I_P = 0 \text{ A}$ , $T_A = 25^\circ\text{C}$ to $125^\circ\text{C}$ , $\text{DIG\_CRS\_SNS\_I} = 0$	-449	-	449	LSB
		$I_P = 0 \text{ A}$ , $T_A = -40^\circ\text{C}$ to $25^\circ\text{C}$ , $\text{DIG\_CRS\_SNS\_I} = 0$	-651	-	651	LSB
Input Referred Offset Error	$E_{\text{O(I)}}$	$I_P = 0 \text{ A}$ , $T_A = 25^\circ\text{C}$ to $125^\circ\text{C}$	-490	-	490	A
		$I_P = 0 \text{ A}$ , $T_A = -40^\circ\text{C}$ to $25^\circ\text{C}$	-710	-	710	A
Total Output Error	$E_{\text{TOT(I)}}$	Measured at $I_P = I_{\text{PR(max)}}$ , $T_A = 25^\circ\text{C}$ to $125^\circ\text{C}$	-3	-	3	%
		Measured at $I_P = I_{\text{PR(max)}}$ , $T_A = -40^\circ\text{C}$ to $25^\circ\text{C}$	-4.5	-	4.5	%
<b>TOTAL OUTPUT ERROR COMPONENTS INCLUDING LIFETIME [3] – VOLTAGE CHANNEL</b>						
Sensitivity Error	$E_{\text{SENS(V)}}$	Measured at $\Delta V_{\text{IN}} = \Delta V_{\text{INR(max)}}$ , $T_A = 25^\circ\text{C}$ to $125^\circ\text{C}$	-1	-	1	%
		Measured at $\Delta V_{\text{IN}} = \Delta V_{\text{INR(max)}}$ , $T_A = -40^\circ\text{C}$ to $25^\circ\text{C}$	-1.3	-	1.3	%
Offset Error	$E_{\text{O(V)}}$	$\Delta V_{\text{IN}} = 0 \text{ mV}$ , $T_A = 25^\circ\text{C}$ to $125^\circ\text{C}$	-40	-	40	LSB
		$\Delta V_{\text{IN}} = 0 \text{ mV}$ , $T_A = -40^\circ\text{C}$ to $25^\circ\text{C}$	-31	-	31	LSB
Total Output Error	$E_{\text{TOT(V)}}$	Measured at $\Delta V_{\text{IN}} = \Delta V_{\text{INR(max)}}$ , $T_A = 25^\circ\text{C}$ to $125^\circ\text{C}$	-1.1	-	1.1	%
		Measured at $\Delta V_{\text{IN}} = \Delta V_{\text{INR(max)}}$ , $T_A = -40^\circ\text{C}$ to $25^\circ\text{C}$	-1.4	-	1.4	%
<b>ACCURACY PERFORMANCE INCLUDING LIFETIME – ACTIVE POWER</b>						
Total Output Error	$E_{\text{TOT(P)}}$	$I_P = I_{\text{PR(max)}}$ , measured at $\Delta V_{\text{IN}} = \Delta V_{\text{INR(max)}}$ , $T_A = 25^\circ\text{C}$ to $125^\circ\text{C}$	-3	-	3	%
		$I_P = I_{\text{PR(max)}}$ , measured at $\Delta V_{\text{IN}} = \Delta V_{\text{INR(max)}}$ , $T_A = -40^\circ\text{C}$ to $25^\circ\text{C}$	-4.5	-	4.5	%

[1] "Min." and "Max." interval for performance characteristics is determined such that 99.73% of devices lie within the interval during initial characterization. The worst case of mean  $\pm 3 \sigma$  was calculated and applied symmetrically. These values can drift after solder reflow and over lifetime operation.

[2] These sensitivity characteristics are referred to the inputs seen by the device, i.e. the voltage channel resistor divider must be accounted to determine the system sensitivities.

[3]  $E_{\text{TOT}} = E_{\text{SENS}} + 100 \times V_{\text{OE}} / (\text{Sens} \times I_P)$

**ACS37800KMAC-015B5 PERFORMANCE CHARACTERISTICS:** Valid through the full operating temperature range,  $T_A = -40^\circ\text{C}$  to  $125^\circ\text{C}$ ,  $C_{\text{BYPASS}} = 0.1 \mu\text{F}$ , and  $V_{\text{CC}} = 5 \text{ V}$ , unless otherwise specified

Characteristic	Symbol	Test Conditions	Min. [1]	Typ.	Max. [1]	Unit
<b>GENERAL CHARACTERISTICS</b>						
Nominal Supply Voltage	$V_{\text{CC(typ)}}$		–	5	–	V
<b>NOMINAL PERFORMANCE – FACTORY CURRENT CHANNEL</b>						
Current Sensing Range	$I_{\text{PR}}$		–15	–	15	A
Sensitivity	$\text{Sens}_{(I)}$	$I_{\text{PR(min)}} < I_{\text{P}} < I_{\text{PR(max)}}$	–	1833.3	–	LSB/A
<b>NOMINAL PERFORMANCE – INPUT REFERRED FACTORY POWER (POWER SEEN BY THE DEVICE) [2]</b>						
Active Power Sensitivity	$\text{Sens}_{\text{Pd\_act}}$		–6.15	–	6.15	LSB/mW
Imaginary Power Sensitivity	$\text{Sens}_{\text{Pd\_img}}$		–12.31	–	12.31	LSB/mVAR
Apparent Power Sensitivity	$\text{Sens}_{\text{Pd\_app}}$		–12.31	–	12.31	LSB/mVA
<b>TOTAL OUTPUT ERROR COMPONENTS [3] – CURRENT CHANNEL</b>						
Sensitivity Error	$E_{\text{SENS(I)}}$	Measured at $I_{\text{P}} = I_{\text{PR(max)}}$ , $T_A = 25^\circ\text{C}$ to $125^\circ\text{C}$	–1.1	–	1.1	%
		Measured at $I_{\text{P}} = I_{\text{PR(max)}}$ , $T_A = -40^\circ\text{C}$ to $25^\circ\text{C}$	–1.5	–	1.5	%
Offset Error	$E_{\text{O(I)}}$	$I_{\text{P}} = 0 \text{ A}$ , $T_A = 25^\circ\text{C}$ to $125^\circ\text{C}$	–720	–	720	LSB
		$I_{\text{P}} = 0 \text{ A}$ , $T_A = -40^\circ\text{C}$ to $25^\circ\text{C}$	–780	–	780	LSB
Total Output Error	$E_{\text{TOT(I)}}$	Measured at $I_{\text{P}} = I_{\text{PR(max)}}$ , $T_A = 25^\circ\text{C}$ to $125^\circ\text{C}$	–2.1	–	2.1	%
		Measured at $I_{\text{P}} = I_{\text{PR(max)}}$ , $T_A = -40^\circ\text{C}$ to $25^\circ\text{C}$	–2.7	–	2.7	%
<b>TOTAL OUTPUT ERROR COMPONENTS [3] – VOLTAGE CHANNEL</b>						
Sensitivity Error	$E_{\text{SENS(V)}}$	Measured at $\Delta V_{\text{IN}} = \Delta V_{\text{INR(max)}}$ , $T_A = 25^\circ\text{C}$ to $125^\circ\text{C}$	–1.2	–	1.2	%
		Measured at $\Delta V_{\text{IN}} = \Delta V_{\text{INR(max)}}$ , $T_A = -40^\circ\text{C}$ to $25^\circ\text{C}$	–1.2	–	1.2	%
Offset Error	$E_{\text{O(V)}}$	$\Delta V_{\text{IN}} = 0 \text{ mV}$ , $T_A = 25^\circ\text{C}$ to $125^\circ\text{C}$	–55	–	55	LSB
		$\Delta V_{\text{IN}} = 0 \text{ mV}$ , $T_A = -40^\circ\text{C}$ to $25^\circ\text{C}$	–55	–	55	LSB
Total Output Error	$E_{\text{TOT(V)}}$	Measured at $\Delta V_{\text{IN}} = \Delta V_{\text{INR(max)}}$ , $T_A = 25^\circ\text{C}$ to $125^\circ\text{C}$	–1.4	–	1.4	%
		Measured at $\Delta V_{\text{IN}} = \Delta V_{\text{INR(max)}}$ , $T_A = -40^\circ\text{C}$ to $25^\circ\text{C}$	–1.4	–	1.4	%
<b>ACCURACY PERFORMANCE – ACTIVE POWER</b>						
Total Output Error	$E_{\text{TOT(P)}}$	$I_{\text{P}} = I_{\text{PR(max)}}$ , measured at $\Delta V_{\text{IN}} = \Delta V_{\text{INR(max)}}$ , $T_A = 25^\circ\text{C}$ to $125^\circ\text{C}$	–2.1	–	2.1	%
		$I_{\text{P}} = I_{\text{PR(max)}}$ , measured at $\Delta V_{\text{IN}} = \Delta V_{\text{INR(max)}}$ , $T_A = -40^\circ\text{C}$ to $25^\circ\text{C}$	–3	–	3	%

[1] "Min." and "Max." interval for performance characteristics is determined such that 99.73% of devices lie within the interval during initial characterization. The worst case of mean  $\pm 3 \sigma$  was calculated and applied symmetrically. These values can drift after solder reflow and over lifetime operation.

[2] These sensitivity characteristics are referred to the inputs seen by the device, i.e. the voltage channel resistor divider must be accounted to determine the system sensitivities.

[3]  $E_{\text{TOT}} = E_{\text{SENS}} + 100 \times V_{\text{OE}} / (\text{Sens} \times I_{\text{P}})$

**ACS37800KMAC-030B3 PERFORMANCE CHARACTERISTICS:** Valid through the full operating temperature range,  $T_A = -40^\circ\text{C}$  to  $125^\circ\text{C}$ ,  $C_{\text{BYPASS}} = 0.1 \mu\text{F}$ , and  $V_{\text{CC}} = 3.3 \text{ V}$ , unless otherwise specified

Characteristic	Symbol	Test Conditions	Min. [1]	Typ.	Max. [1]	Unit
<b>GENERAL CHARACTERISTICS</b>						
Nominal Supply Voltage	$V_{\text{CC}(\text{typ})}$		–	3.3	–	V
<b>NOMINAL PERFORMANCE – CURRENT CHANNEL</b>						
Current Sensing Range	$I_{\text{PR}}$		–30	–	30	A
Sensitivity	$\text{Sens}_{(I)}$	$I_{\text{PR}(\text{min})} < I_{\text{P}} < I_{\text{PR}(\text{max})}$	–	916.7	–	LSB/A
<b>NOMINAL PERFORMANCE – INPUT REFERRED FACTORY POWER (POWER SEEN BY THE DEVICE) [2]</b>						
Active Power Sensitivity	$\text{Sens}_{\text{Pd\_act}}$		–3.0	–	3.08	LSB/mW
Imaginary Power Sensitivity	$\text{Sens}_{\text{Pd\_img}}$		–	–	6.15	LSB/mVAR
Apparent Power Sensitivity	$\text{Sens}_{\text{Pd\_app}}$		–	–	6.15	LSB/mVA
<b>TOTAL OUTPUT ERROR COMPONENTS [3] – CURRENT CHANNEL</b>						
Sensitivity Error	$E_{\text{SENS}(I)}$	Measured at $I_{\text{P}} = I_{\text{PR}(\text{max})}$ , $T_A = 25^\circ\text{C}$ to $125^\circ\text{C}$	–1	–	1	%
		Measured at $I_{\text{P}} = I_{\text{PR}(\text{max})}$ , $T_A = -40^\circ\text{C}$ to $25^\circ\text{C}$	–1.5	–	1.5	%
Offset Error	$E_{\text{O}(I)}$	$I_{\text{P}} = 0 \text{ A}$ , $T_A = 25^\circ\text{C}$ to $125^\circ\text{C}$	–510	–	510	LSB
		$I_{\text{P}} = 0 \text{ A}$ , $T_A = -40^\circ\text{C}$ to $25^\circ\text{C}$	–570	–	570	LSB
Total Output Error	$E_{\text{TOT}(I)}$	Measured at $I_{\text{P}} = I_{\text{PR}(\text{max})}$ , $T_A = 25^\circ\text{C}$ to $125^\circ\text{C}$	–2	–	2	%
		Measured at $I_{\text{P}} = I_{\text{PR}(\text{max})}$ , $T_A = -40^\circ\text{C}$ to $25^\circ\text{C}$	–2.7	–	2.7	%
<b>TOTAL OUTPUT ERROR COMPONENTS [3] – VOLTAGE CHANNEL</b>						
Sensitivity Error	$E_{\text{SENS}(V)}$	Measured at $\Delta V_{\text{IN}} = \Delta V_{\text{INR}(\text{max})}$ , $T_A = 25^\circ\text{C}$ to $125^\circ\text{C}$	–0.75	–	0.75	%
		Measured at $\Delta V_{\text{IN}} = \Delta V_{\text{INR}(\text{max})}$ , $T_A = -40^\circ\text{C}$ to $25^\circ\text{C}$	–0.75	–	0.75	%
Offset Error	$E_{\text{O}(V)}$	$\Delta V_{\text{IN}} = 0 \text{ mV}$ , $T_A = 25^\circ\text{C}$ to $125^\circ\text{C}$	–55	–	55	LSB
		$\Delta V_{\text{IN}} = 0 \text{ mV}$ , $T_A = -40^\circ\text{C}$ to $25^\circ\text{C}$	–55	–	55	LSB
Total Output Error	$E_{\text{TOT}(V)}$	Measured at $\Delta V_{\text{IN}} = \Delta V_{\text{INR}(\text{max})}$ , $T_A = 25^\circ\text{C}$ to $125^\circ\text{C}$	–1	–	1	%
		Measured at $\Delta V_{\text{IN}} = \Delta V_{\text{INR}(\text{max})}$ , $T_A = -40^\circ\text{C}$ to $25^\circ\text{C}$	–1	–	1	%
<b>ACCURACY PERFORMANCE – ACTIVE POWER</b>						
Total Output Error	$E_{\text{TOT}(P)}$	$I_{\text{P}} = I_{\text{PR}(\text{max})}$ , measured at $\Delta V_{\text{IN}} = \Delta V_{\text{INR}(\text{max})}$ , $T_A = 25^\circ\text{C}$ to $125^\circ\text{C}$	–2.1	–	2.1	%
		$I_{\text{P}} = I_{\text{PR}(\text{max})}$ , measured at $\Delta V_{\text{IN}} = \Delta V_{\text{INR}(\text{max})}$ , $T_A = -40^\circ\text{C}$ to $25^\circ\text{C}$	–3	–	3	%

[1] "Min." and "Max." interval for performance characteristics is determined such that 99.73% of devices lie within the interval during initial characterization. The worst case of mean  $\pm 3 \sigma$  was calculated and applied symmetrically. These values can drift after solder reflow and over lifetime operation.

[2] These sensitivity characteristics are referred to the inputs seen by the device, i.e. the voltage channel resistor divider must be accounted to determine the system sensitivities.

[3]  $E_{\text{TOT}} = E_{\text{SENS}} + 100 \times V_{\text{OE}} / (\text{Sens} \times I_{\text{P}})$

**ACS37800KMAC-090B3 PERFORMANCE CHARACTERISTICS:** Valid through the full operating temperature range,  $T_A = -40^\circ\text{C}$  to  $125^\circ\text{C}$ ,  $C_{\text{BYPASS}} = 0.1 \mu\text{F}$ , and  $V_{\text{CC}} = 3.3 \text{ V}$ , unless otherwise specified

Characteristic	Symbol	Test Conditions	Min. [1]	Typ.	Max. [1]	Unit
<b>GENERAL CHARACTERISTICS</b>						
Nominal Supply Voltage	$V_{\text{CC(typ)}}$		–	3.3	–	V
<b>NOMINAL PERFORMANCE – CURRENT CHANNEL</b>						
Current Sensing Range	$I_{\text{PR}}$		–90	–	90	A
Sensitivity	$\text{Sens}_{(I)}$	$I_{\text{PR(min)}} < I_{\text{P}} < I_{\text{PR(max)}}$	–	305.6	–	LSB/A
<b>NOMINAL PERFORMANCE – INPUT REFERRED FACTORY POWER (POWER SEEN BY THE DEVICE) [2]</b>						
Active Power Sensitivity	$\text{Sens}_{\text{Pd\_act}}$		–1.03	–	1.03	LSB/mW
Imaginary Power Sensitivity	$\text{Sens}_{\text{Pd\_img}}$		–2.05	–	2.05	LSB/mVAR
Apparent Power Sensitivity	$\text{Sens}_{\text{Pd\_app}}$		–2.05	–	2.05	LSB/mVA
<b>TOTAL OUTPUT ERROR COMPONENTS [3] – CURRENT CHANNEL</b>						
Sensitivity Error	$E_{\text{SENS(I)}}$	Measured at $I_{\text{P}} = I_{\text{PR(max)}}$ , $T_A = 25^\circ\text{C}$ to $125^\circ\text{C}$	–1	–	1	%
		Measured at $I_{\text{P}} = I_{\text{PR(max)}}$ , $T_A = -40^\circ\text{C}$ to $25^\circ\text{C}$	–1.5	–	1.5	%
Offset Error	$E_{\text{O(I)}}$	$I_{\text{P}} = 0 \text{ A}$ , $T_A = 25^\circ\text{C}$ to $125^\circ\text{C}$	–180	–	180	LSB
		$I_{\text{P}} = 0 \text{ A}$ , $T_A = -40^\circ\text{C}$ to $25^\circ\text{C}$	–210	–	210	LSB
Total Output Error	$E_{\text{TOT(I)}}$	Measured at $I_{\text{P}} = 45 \text{ A}$ , $T_A = 25^\circ\text{C}$ to $125^\circ\text{C}$	–2	–	2	%
		Measured at $I_{\text{P}} = 45 \text{ A}$ , $T_A = -40^\circ\text{C}$ to $25^\circ\text{C}$	–2.6	–	2.6	%
<b>TOTAL OUTPUT ERROR COMPONENTS [3] – VOLTAGE CHANNEL</b>						
Sensitivity Error	$E_{\text{SENS(V)}}$	Measured at $\Delta V_{\text{IN}} = \Delta V_{\text{INR(max)}}$ , $T_A = 25^\circ\text{C}$ to $125^\circ\text{C}$	–0.75	–	0.75	%
		Measured at $\Delta V_{\text{IN}} = \Delta V_{\text{INR(max)}}$ , $T_A = -40^\circ\text{C}$ to $25^\circ\text{C}$	–0.75	–	0.75	%
Offset Error	$E_{\text{O(V)}}$	$\Delta V_{\text{IN}} = 0 \text{ mV}$ , $T_A = 25^\circ\text{C}$ to $125^\circ\text{C}$	–55	–	55	LSB
		$\Delta V_{\text{IN}} = 0 \text{ mV}$ , $T_A = -40^\circ\text{C}$ to $25^\circ\text{C}$	–55	–	55	LSB
Total Output Error	$E_{\text{TOT(V)}}$	Measured at $\Delta V_{\text{IN}} = \Delta V_{\text{INR(max)}}$ , $T_A = 25^\circ\text{C}$ to $125^\circ\text{C}$	–1	–	1	%
		Measured at $\Delta V_{\text{IN}} = \Delta V_{\text{INR(max)}}$ , $T_A = -40^\circ\text{C}$ to $25^\circ\text{C}$	–1	–	1	%
<b>ACCURACY PERFORMANCE – ACTIVE POWER</b>						
Total Output Error	$E_{\text{TOT(P)}}$	$I_{\text{P}} = 45 \text{ A}$ , measured at $\Delta V_{\text{IN}} = \Delta V_{\text{INR(max)}}$ , $T_A = 25^\circ\text{C}$ to $125^\circ\text{C}$	–1.3	–	1.3	%
		$I_{\text{P}} = 45 \text{ A}$ , measured at $\Delta V_{\text{IN}} = \Delta V_{\text{INR(max)}}$ , $T_A = -40^\circ\text{C}$ to $25^\circ\text{C}$	–2.1	–	2.1	%

[1] "Min." and "Max." interval for performance characteristics is determined such that 99.73% of devices lie within the interval during initial characterization. The worst case of mean  $\pm 3\sigma$  was calculated and applied symmetrically. These values can drift after solder reflow and over lifetime operation

[2] These sensitivity characteristics are referred to the inputs seen by the device, i.e. the voltage channel resistor divider must be accounted to determine the system sensitivities.

[3]  $E_{\text{TOT}} = E_{\text{SENS}} + 100 \times V_{\text{OE}} / (\text{Sens} \times I_{\text{P}})$

**xKMACTR-I2C OPERATING CHARACTERISTICS** [1]: Valid through the full range of  $T_A$ ,  $V_{CC} = V_{CC(typ)}$ ,  $R_{EXT} = 10\text{ k}\Omega$ , unless otherwise specified

Characteristic	Symbol	Test Conditions	Min.	Typ.	Max.	Unit
<b>I<sup>2</sup>C INTERFACE CHARACTERISTICS</b> [2]						
Bus Free Time Between Stop and Start	$t_{BUF}$		1.3	–	–	$\mu\text{s}$
Hold Time Start Condition	$t_{hdSTA}$		0.6	–	–	$\mu\text{s}$
Setup Time for Repeated Start Condition	$t_{suSTA}$		0.6	–	–	$\mu\text{s}$
SCL Low Time	$t_{LOW}$		1.3	–	–	$\mu\text{s}$
SCL High Time	$t_{HIGH}$		0.6	–	–	$\mu\text{s}$
Data Setup Time	$t_{suDAT}$		100	–	–	$\mu\text{s}$
Data Hold Time	$t_{hdDAT}$		0	–	900	$\mu\text{s}$
Setup Time for Stop Condition	$t_{suSTO}$		0.6	–	–	$\mu\text{s}$
Logic Input Low Level (SDA, SCL pins)	$V_{IL}$		–	–	30	$\%V_{CC}$
Logic Input High Level (SDA, SCL pins)	$V_{IH}$		70	–	–	$\%V_{CC}$
Logic Input Current	$I_{IN}$	Input voltage on SDA or SCL = 0 V to $V_{CC}$	–1	–	1	$\mu\text{A}$
Output Low Voltage (SDA)	$V_{OL}$	SDA sinking = 1.5 mA	–	–	0.36	V
Clock Frequency (SCL pin)	$f_{CLK}$		–	–	400	kHz
Output Fall Time (SDA pin)	$t_f$	$R_{EXT} = 2.4\text{ k}\Omega$ , $C_B = 100\text{ pF}$	–	–	250	ns
I <sup>2</sup> C Pull-Up Resistance	$R_{EXT}$		2.4	10	–	k $\Omega$
Total Capacitive Load for Each of SDA and SCL Buses	$C_B$		–	–	20	pF

[1] Validated by characterization and design.

[2] These values are ratiometric to the supply voltage. I<sup>2</sup>C Interface Characteristics are ensured by design and not factory tested.

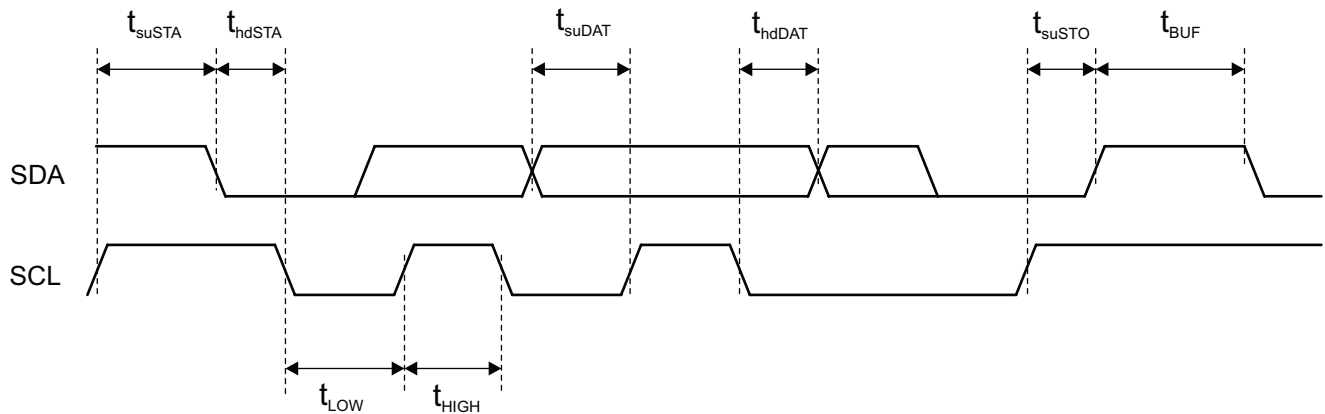


Figure 3: I<sup>2</sup>C Interface Timing

**xKMATR-SPI OPERATING CHARACTERISTICS** [1]: Valid through the full range of  $T_A$ ,  $V_{CC} = V_{CC(typ)}$ , unless otherwise specified

Characteristic	Symbol	Test Conditions	Min.	Typ.	Max.	Unit
<b>SPI INTERFACE CHARACTERISTICS</b>						
Digital Input High Voltage	$V_{IH}$	MOSI, SCLK, CS pins, $V_{CC} = 3.3\text{ V}$	2.8	–	3.63	V
		MOSI, SCLK, CS pins, $V_{CC} = 5\text{ V}$	4	–	5.5	V
Digital Input Low Voltage	$V_{IL}$	MOSI, SCLK, CS pins	–	–	0.5	V
SPI Output High Voltage	$V_{OH}$	MISO pin, $C_L = 20\text{ pF}$ , $T_A = 25^\circ\text{C}$ , $V_{CC(typ)} = 3.3\text{ V}$	2.8	3.3	3.8	V
		MISO pin, $C_L = 20\text{ pF}$ , $T_A = 25^\circ\text{C}$ , $V_{CC(typ)} = 5\text{ V}$	4	5	5.5	V
SPI Output Low Voltage	$V_{OL}$	MISO pin, $C_L = 20\text{ pF}$ , $T_A = 25^\circ\text{C}$	–	0.3	0.5	V
SPI Clock Frequency	$f_{SCLK}$	MISO pin, $C_L = 20\text{ pF}$	0.1	–	10	MHz
SPI Frame Rate	$t_{SPI}$		5.8	–	588	kHz
Chip Select to First SCLK Edge	$t_{CS}$	Time from CS going low to SCLK falling edge	50	–	–	ns
Data Output Valid Time	$t_{DAV}$	Data output valid after SCLK falling edge	–	40	–	ns
MOSI Setup Time	$t_{SU}$	Input setup time before SCLK rising edge	25	–	–	ns
MOSI Hold Time	$t_{HD}$	Input hold time after SCLK rising edge	50	–	–	ns
SCLK to CS Hold Time	$t_{CHD}$	Hold SCLK high time before CS rising edge	5	–	–	ns
Load Capacitance	$C_L$	Loading on digital output (MISO) pin	–	–	20	pF

[1] Validated by characterization and design.

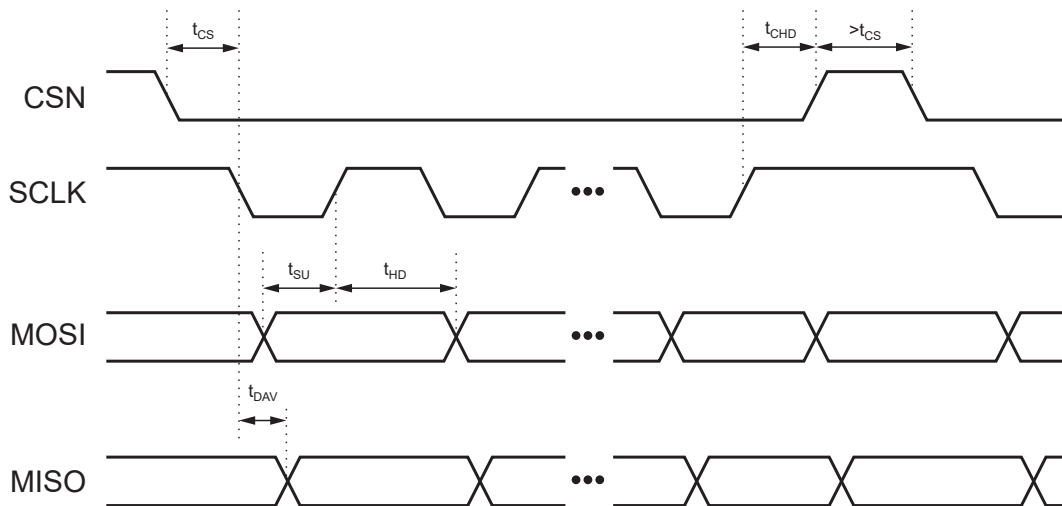


Figure 4: SPI Timing

## THEORY OF OPERATION

### Introduction

The ACS37800 provides a simple solution for voltage, current, and power monitoring in 60 Hz AC and DC applications and is particularly well suited for high isolation. The voltage is measured by resistor dividing it down to fit the input range of the on-board voltage sense amplifier, as well as to add isolation. The current is measured using the integrated current loop and galvanically isolated Hall sensor. Both analog signals are then sampled using high accuracy ADCs before entering the digital system. Here, the metrology engine is used to determine frequency, calculate RMS values of current, voltage, and power, as well as provide a range of averaging and configuration options. One can choose to read out all the different information provided using SPI or I<sup>2</sup>C. When using I<sup>2</sup>C, there are also options for using some of the digital I/O pins for overcurrent or zero crossing detection. Overall, with a high degree of configurability and integrated features, the ACS37800 can fit most power monitoring applications. The following sections will help explain in more detail these features and configuration options, as well as how to best use the ACS37800 for particular applications.

### Voltage and Current Measurements

The main signal paths for the current and voltage measurement, through the ADCs and internal filtering, have a bandwidth of 1 kHz and an update rate of 32 kHz. These “instantaneous” current and

voltage measurements are stored in the ICODES and VCODES fields. The instantaneous apparent power, which is the product of ICODES and VCODES, is stored in the field PINSTANT.

### Overcurrent Measurement Path

A separate filter on the current ADC is used to create a lower resolution but higher bandwidth sample rate measurement of the current to be used for overcurrent detection. This filter outputs a 12-bit word at a 1 MHz update rate and 200 kHz bandwidth. The overcurrent fault logic compares this auxiliary current value to the user-defined overcurrent fault threshold, defined by the field FAULT.

It is important to note that the trim for the main 16-bit current path is also applied to the overcurrent path, such that the overcurrent fault has the same level of accuracy as the main signal path.

### Trim Methods

The trim logic for the voltage and current channels is depicted in Figure 5 and Figure 6. Refer to the Register Details section for more information regarding trim fields. In general, each channel, voltage and current, is trimmed for gain and offset both at room and over temperature. This trim is done before the ICODES and VCODES registers. The user has the ability to trim the nominal room temperature value.

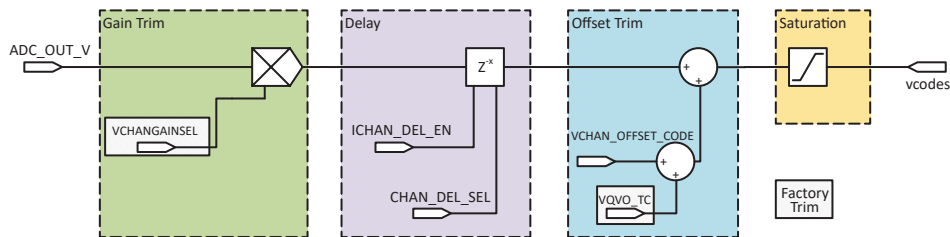


Figure 5: Voltage Channel Trim Flow

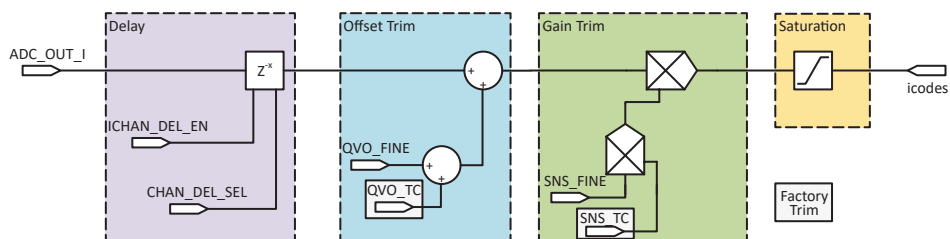


Figure 6: Current Channel Trim Flow

## Power Calculations

### VOLTAGE ZERO CROSSING

The RMS and power calculations of the ACS37800 are calculated over a window of N samples. By default, this window is calculated dynamically based on the zero crossings of the voltage signal. A rising voltage zero crossing triggers the start of a new window. N then increases with each 32 kHz sample until the next rising voltage zero crossing, recording the current and voltage readings at each sample. This ends the calculation window, and all RMS and power calculations are performed on the saved data. During this time, the next calculation window is started.

Voltage zero crossings are detected with time-based hysteresis that removes the possibility of noise causing multiple zero crossings to be reported at each true zero crossing.

### I<sub>RMS</sub> AND V<sub>RMS</sub>

The cycle-by-cycle calculation of the root mean square of both the current and voltage channels is:

$$I_{RMS} = \sqrt{\frac{\sum_{n=0}^{n=N-1} I_n^2}{N}} \quad V_{RMS} = \sqrt{\frac{\sum_{n=0}^{n=N-1} V_n^2}{N}}$$

where I<sub>n</sub> (ICODES) and V<sub>n</sub> (VCODES) are the instantaneous measurements of current and voltage, respectively.

### APPARENT POWER

The magnitude of the complex power being measured; calculated at the end of each cycle is:

$$|S| = I_{RMS} \times V_{RMS}$$

### ACTIVE POWER

The real component of power being measured, calculated cycle by cycle is:

$$P_{ACTIVE} = \frac{\sum_{n=0}^{n=N-1} P_n}{N} \quad P_n = I_n \times V_n$$

### REACTIVE POWER

The imaginary component of power being measured, calculated at the end of each cycle is:

$$Q = \sqrt{S^2 - P_{ACTIVE}^2}$$

## POWER FACTOR

The magnitude of the ratio of the real power to apparent power, calculated at the end of each cycle is:

$$|PF| = \frac{P_{ACTIVE}}{|S|}$$

## LEADING OR LAGGING POWER FACTOR

The current leading or lagging voltage is communicated as a single bit, POSANGLE. This bit represents the sign of the reactive power. The sign of the reactive power is determined by comparing the timing of the zero crossings of the current and voltage. As such, it is only meaningful in the case of a linear load.

The sign of the reactive power, POSANGLE, along with the sign of the power factor, POSPF, can be used to determine whether the load is inductive or capacitive, as well as whether power is being generated or consumed. This is shown in the four-quadrant figure below (refer to Figure 7).

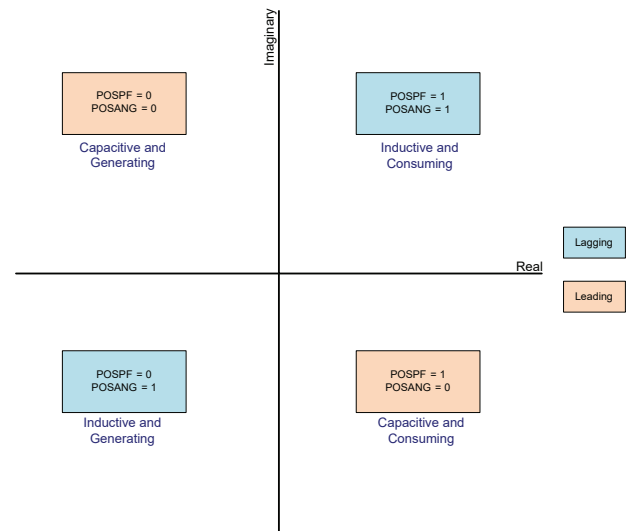


Figure 7: Four Quadrant, Power Factor

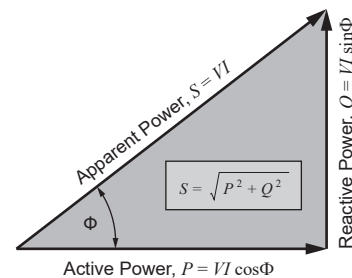


Figure 8: Power Triangle

## OPERATIONAL BLOCK DIAGRAM

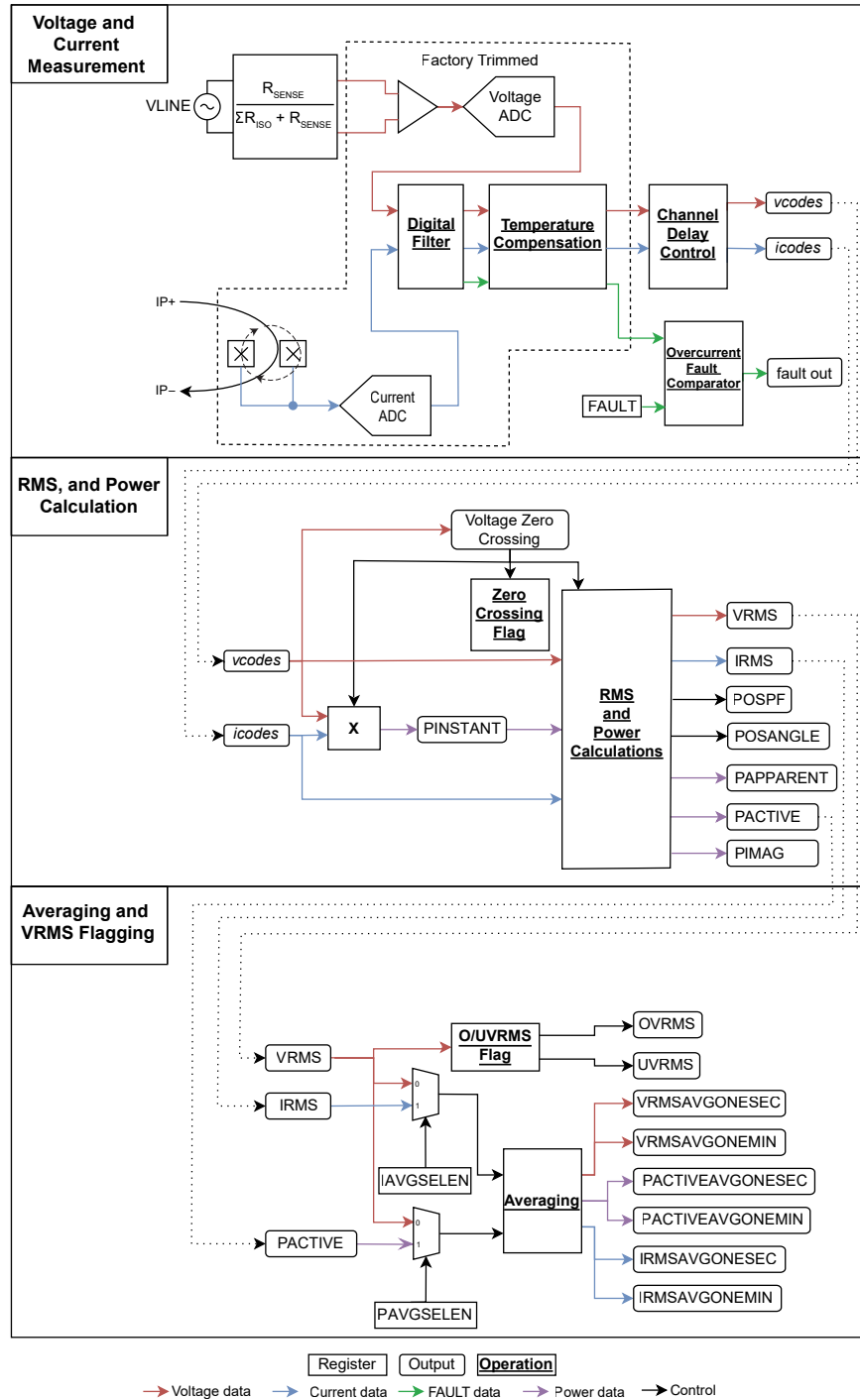


Figure 9: Operational Block Diagram

## Configurable Settings

### PHASE DELAY

Phase delay may be introduced on either the voltage or current channel to account for known phase delay at other points in the system using the ICHAN\_DEL\_EN and CHAN\_DEL\_SEL fields. ICHAN\_DEL\_EN determines if the voltage channel or current channel will be delayed. The chosen channel will be delayed by the configured amount in CHAN\_DEL\_SEL, up to 5° of delay.

### AVERAGING CHANNEL

The ACS37800 contains two averaging paths.  $V_{RMS}$ ,  $I_{RMS}$ , and  $P_{ACTIVE}$  can be routed to these average blocks as shown in Figure 9 using IAVGSELEN and PAVGSELEN.

### AVERAGING TIME

Each averaging path on the ACS37800 consists of two averaging blocks that each allow for a configurable number of averages based on the EEPROM fields RMS\_AVG\_1 and RMS\_AVG\_2.

The output of the first averaging block feeds into the input of the second averaging block. The output of each block is accessible for each channel.

### OVERVOLTAGE AND UNDERVOLTAGE DETECTION FOR VRMS

This device has programmable overvoltage and undervoltage RMS flags that will signal when the VRMS is above or below the respective thresholds. The VRMS is compared to the overvoltage and undervoltage RMS thresholds set by the fields OVERVREG and UNDERVREG to determine a flag condition. The number of successive sample sets required to trigger either the overvoltage or undervoltage RMS flag can be set by the VEVENT\_CYCS field.

The OVRMS and UVRMS flags can be routed to the DIO pins when the device is used in I<sup>2</sup>C mode. See Configuring the DIO Pins.

### OVERCURRENT DETECTION FOR INSTANTANEOUS CURRENT

The overcurrent fault threshold may be set from  $0.65 \times I_{PR}$  to  $2.0 \times I_{PR}$ . The user sets the trip point with the field FAULT. The user can add a digital delay to the overcurrent fault with the field FLT\_DLY. Up to 32  $\mu$ s delay can be added to the overcurrent fault.

### BYPASSING THE DYNAMIC FRAMING OF THE RMS CALCULATION WINDOW

By default, the ACS37800 dynamically calculates the value of N to be used in the RMS and power calculations based on the zero crossings on the voltage channel. This functionality can be

disabled using the BYPASS\_N\_EN field.

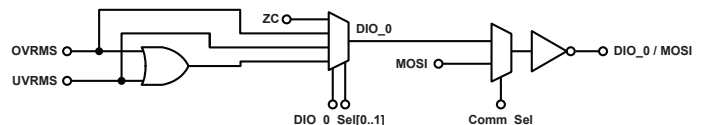
When BYPASS\_N\_EN = 1, it is important to define the number of samples used to calculate RMS. This can be done in the field N. The field N is the number of 32 kHz samples that are used to calculate the RMS. The minimum effective N that is used when calculating RMS is 4. If a value of less than 4 is chosen for N, then 4 is internally used. The first useable RMS calculation on start up with BYPASS\_N\_EN = 1 is after  $2 \times N$  samples.

## Configuring the DIO Pins (I<sup>2</sup>C Devices)

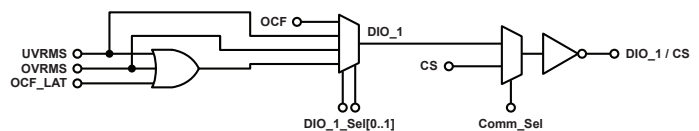
### FLAGS TO BE ROUTED TO THE DIO PINS

When the device is configured to be in I<sup>2</sup>C mode (COMM\_SEL in EEPROM = 1), pins 9 and 10 become digital I/O pins, DIO\_1 and DIO\_0, respectively. The digital I/O pins are low true, meaning that a voltage below the DIO Output Low Level maximum ( $V_{OL(DIO)max}$ ) is to be interpreted as logic 1 and a voltage above DIO Output High Level minimum ( $V_{OH(DIO)min}$ ) is to be interpreted as a logic 0. The Digital I/O pins can be configured in EEPROM to represent the following functions:

DIO_0	
DIO_0_SEL value (EEPROM)	Function
0	ZC: zero crossing
1	OVRMS: the VRMS overvoltage flag
2	UVRMS: The VRMS undervoltage flag
3	The OR of OVRMS and UVRMS (if either flag is triggered, the DIO_0 pin will be asserted)



DIO_1	
DIO_1_SEL value (EEPROM)	Function
0	OCF: Overcurrent fault
1	UVRMS: The VRMS undervoltage flag
2	OVRMS: The VRMS overvoltage flag
3	The OR of OVRMS and UVRMS, and OCF_LAT [Latched Overcurrent Fault] (if any of the three flags are triggered, the DIO_1 pin will be asserted)



### ZERO CROSSING OUTPUT CONFIGURATIONS

The dynamic calculation of N for the RMS and power calculations uses exclusively the voltage zero crossing, but both current and voltage zero crossing can be flagged and reported on the DIO pins.

#### Voltage Zero Crossing (VZC)

The voltage zero crossing has two basic modes of operation, pulse mode and square wave mode.

#### Pulse Mode – VZC

In pulse mode, a voltage zero crossing is reported as a short pulse. There are three available configurations to customize the voltage zero crossing pulse mode operation: rising or falling edge selection, every edge selection, and pulse width.

#### Rising Edge or Falling Edge Aligned Pulse

The EEPROM field ZEROCROSSEDGESEL is used to select whether the zero crossing output pulses are aligned to the rising zero crossing of the voltage channel or the falling zero crossing of the voltage channel.

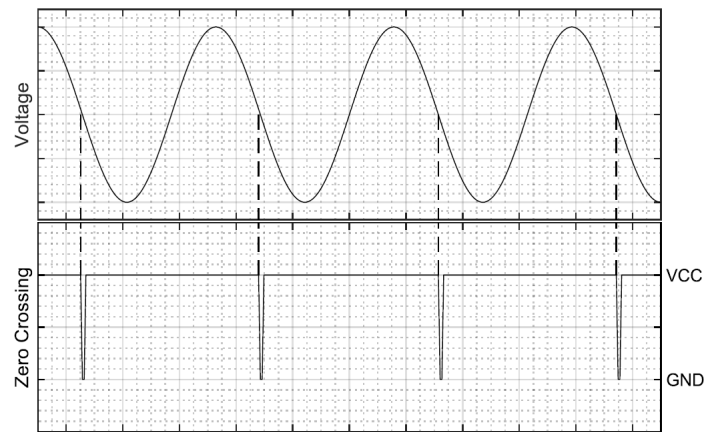


Figure 10: ZEROCROSSEDGESEL = 0, Falling Zero Crossing

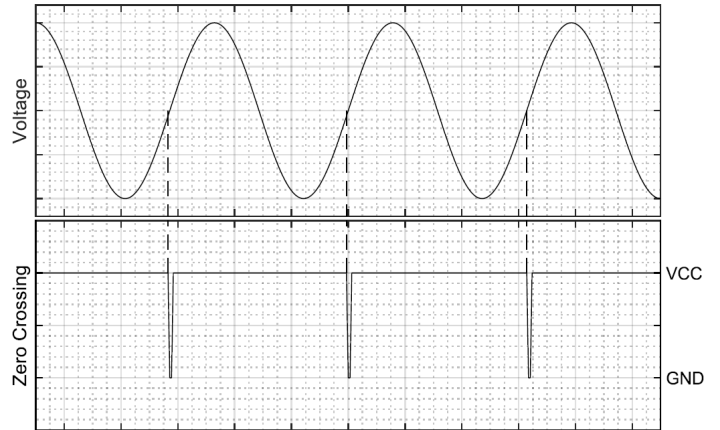


Figure 11: ZEROCROSSEDGESEL = 1, Rising Zero Crossing

#### Pulse Every Edge

The EEPROM field HALFCYCLE\_EN is used to output a pulse at every zero crossing.

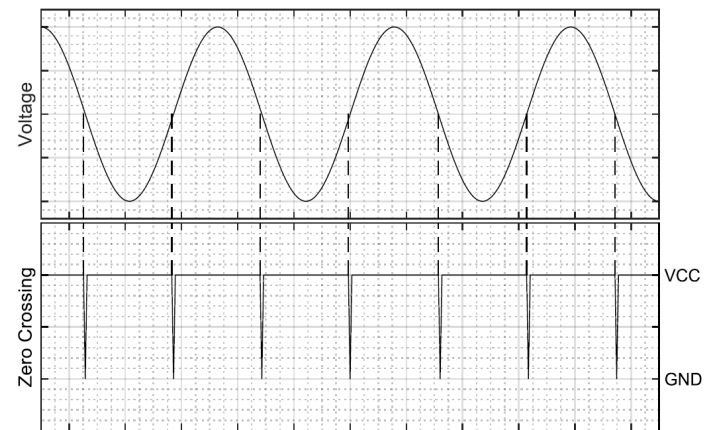


Figure 12: HALFCYCLE\_EN = 1, Both Rising and Falling Zero Crossings Signaled

#### Pulse Width Selection

The EEPROM field DELAYCNT\_SEL is used to select the width of the voltage zero crossing pulse.

Table 1: DELAYCNT\_SEL

Range	Value	Units
0	32	μs
1	256	μs

### Square Wave Mode

Square wave mode can be configured using the EEPROM field SQUAREWAVE\_EN. In square wave mode, a voltage zero crossing is reported as a square wave that changes state on each reported zero crossing. The ZEROCROSSEDEGESEL EEPROM field can be used to align the low to high transition of the flag with either the rising voltage zero crossing or the falling voltage zero crossing.

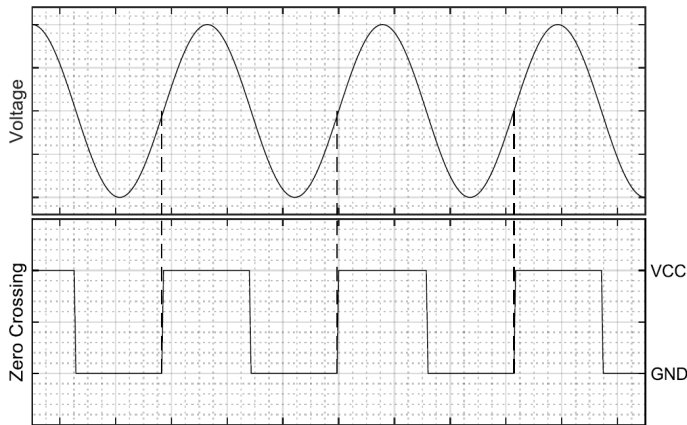


Figure 13: ZEROCROSSEDEGESEL = 0, Square Wave Mode

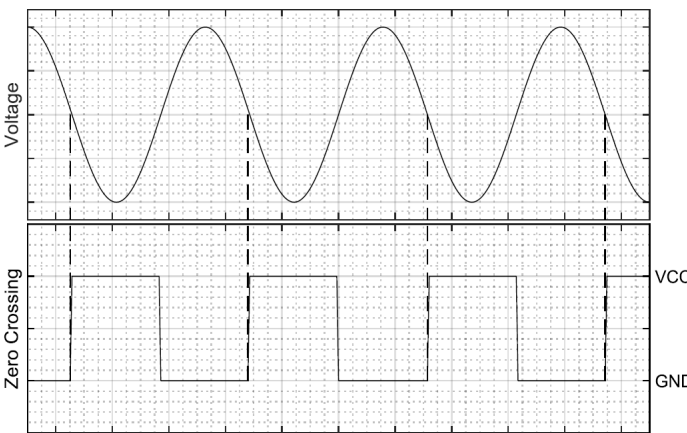


Figure 14: ZEROCROSSEDEGESEL = 1, Square Wave Mode

### Current Zero Crossing (CZC)

The current zero crossing function can be enabled using the EEPROM field ZEROCROSSCHANSEL. When the zero crossing flag is configured to flag zero crossings of the current path, this has no effect on the RMS and power calculations; the voltage zero crossing is still used for these calculations.

The current zero crossing has just one basic mode of operation: pulse mode.

### Pulse Mode – CZC

In pulse mode, a current zero crossing is reported as a short pulse. There are three available configurations to customize the current zero crossing pulse mode operation: rising or falling edge selection, every edge selection, and pulse width.

#### Rising Edge or Falling Edge Aligned Pulse

The EEPROM field ZEROCROSSEDEGESEL is used to select whether the zero crossing output pulses are aligned to the rising zero crossing of the current channel or the falling zero crossing of the current channel.

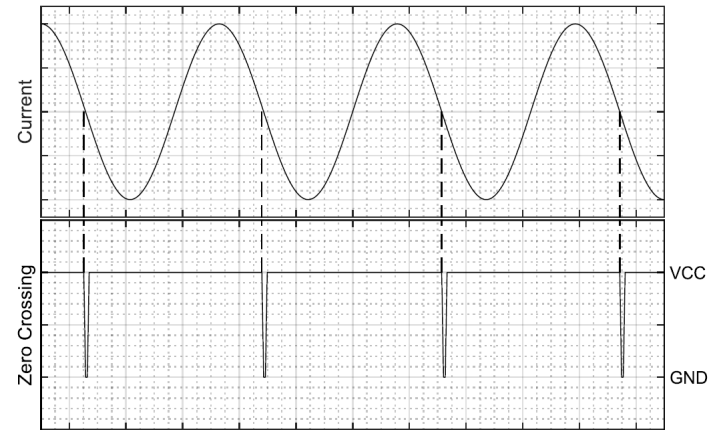


Figure 15: ZEROCROSSEDEGESEL = 0, Falling Zero Crossing

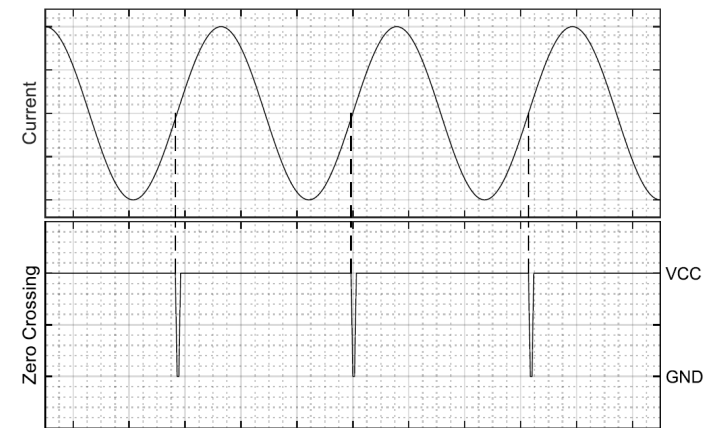


Figure 16: ZEROCROSSEDEGESEL = 1, Rising Zero crossing

### Pulse Every Edge

The EEPROM field HALFCYCLE\_EN is used to output a pulse at every zero crossing.

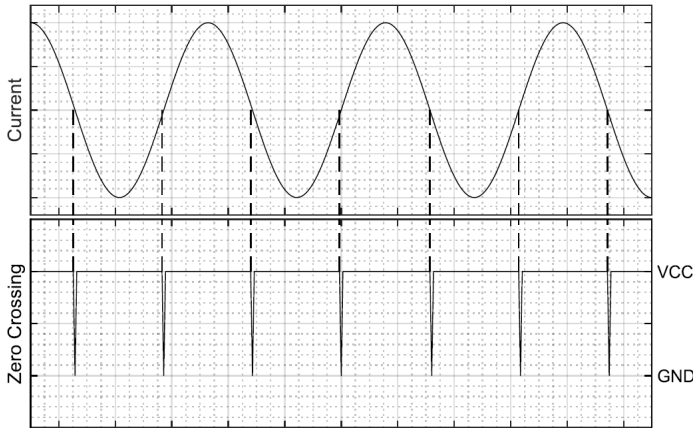


Figure 17: HALFCYCLE\_EN = 1, Both Rising and Falling Zero Crossings Signaled

## CONFIGURING THE DEVICE FOR AC APPLICATIONS

### Device EEPROM Settings

For AC power monitoring applications using the ACS37800, the following device settings are recommended:

### DYNAMIC CALCULATION OF N

Set BYPASS\_N\_EN = 0 (default). This setting enables the device to dynamically calculate N based off the voltage zero crossings. See the Register Details – EEPROM section for additional details.

### Voltage Measurement

#### RECOMMENDED APPLICATION CIRCUITS

An important aspect to consider when designing in the ACS37800 into AC applications is the design of the voltage measurement path. Typically, a resistor divider network is employed to provide both isolation and transform the high voltage signal into the  $\pm 250$  mV signal that the ACS37800 can measure.

There are two basic application circuits recommended based on the isolation requirements of the system. The first, see Figure 18, is to be used when the ACS37800 GND and the neutral terminal of the voltage input are connected.  $R_{ISO1}$ ,  $R_{ISO2}$ , and  $R_{SENSE}$

form a resistor divider network where,

$$V_{IN} = V_{LINE} \times \frac{R_{SENSE}}{R_{ISO1} + R_{ISO2} + R_{SENSE}}$$

$R_{ISO1}$  and  $R_{ISO2}$  should be equal. A value of  $1 \text{ M}\Omega$  is appropriate for many applications, but ultimately, the resistance value used needs to comply with the required isolation of the system.

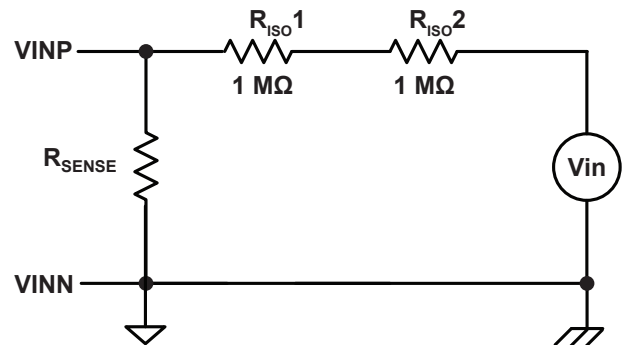
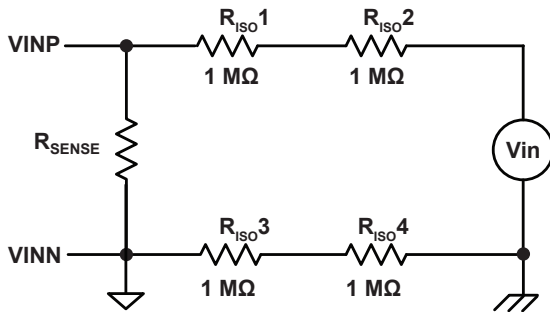


Figure 18: Voltage Channel Application Circuit; Device GND is Connected to Neutral

Another application circuit recommendation for the voltage channel is shown in Figure 19. This is to be used in systems where the ACS37800 GND and the neutral terminal of the voltage input are to be isolated. Here,  $R_{ISO3}$  and  $R_{ISO4}$  are added to the resistor divider network.

$$V_{IN} = V_{LINE} \times \frac{R_{SENSE}}{R_{ISO1} + R_{ISO2} + R_{ISO3} + R_{ISO4} + R_{SENSE}}$$

$R_{ISO1}$ ,  $R_{ISO2}$ ,  $R_{ISO3}$ , and  $R_{ISO4}$  should be equal and their value is determined by the isolation requirements of the system. A value of 1 M $\Omega$  is appropriate for many applications, but ultimately, the resistance value used needs to comply with the required isolation of the system.



**Figure 19: Voltage Channel Application; Device GND is Isolated from Neutral**

To determine the value of  $R_{SENSE}$  required for a particular application using either of the recommended circuits, the following equation can be used:

$$R_{SENSE} = \frac{\Delta V_{INR(MAX)}}{V_{LINE(MAX)} - \Delta V_{INR(MAX)}} \times R_{ISO}$$

Where  $\Delta V_{INR(MAX)} = 250$  mV,  $V_{LINE(MAX)}$  is the maximum  $V_{LINE}$  voltage to be measured, and  $R_{ISO}$  is the sum of all of the isolation resistors.

If using the overvoltage detection functionality of the ACS37800, this should be considering when determining the maximum  $V_{LINE}$  voltage to be measured. For example, in an application when the nominal  $V_{LINE}$  is equal to 120  $V_{RMS}$  and a 50% over-voltage detection is required,  $V_{LINE(MAX)}$  is:

$$120 V_{RMS} \times \sqrt{2} \times 1.5 = 255 V,$$

where the  $\sqrt{2}$  is used to approximate the peak voltage assuming a sinusoidal input.

Additionally, the tolerance of the all resistors should be considered when determining  $R_{SENSE}$ . The minimum tolerance of the

isolation resistors should be used along with the maximum tolerance of  $R_{SENSE}$ .

If the  $R_{SENSE}$  is not sized appropriately, this can lead to the voltage input to the ACS37800 exceeding the maximum input range, which can cause the instantaneous voltage measurement to saturate. This can lead to errors in the RMS calculations as shown in Figure 20.

After the resistor network is known, the  $V_{CODES}$  and  $V_{RMS}$  output fields can be interpreted to line voltages with the following method. Starting with known values for  $V_{LINE}$  to the  $V_{IN}$  resistor network, the user should calculate the actual  $R_{SENSE}$  scale factor,  $SF_{Line2Device}$ , using the following equation:

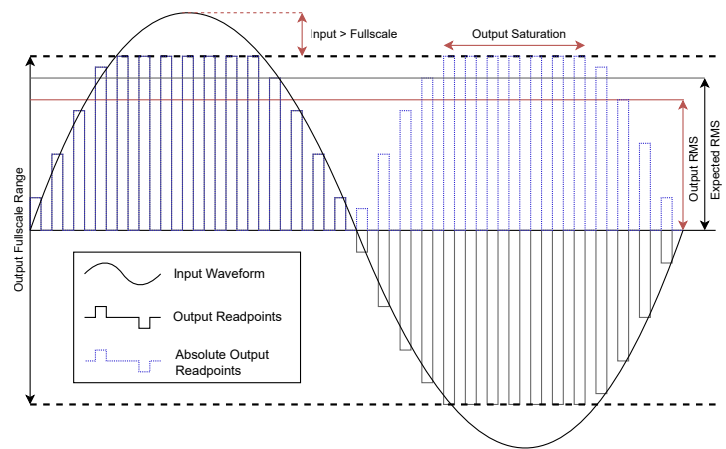
$$SF_{Line2Device} = \frac{R_{SENSE}}{(R_{SENSE} + \Sigma R_{ISO})} \times 1000 mV/V$$

After the application scale factor is known,  $V_{CODES}$  can be interpreted into line voltage using  $SF_{Line2Device}$  and  $Sens_{(V)}$  with the following equation:

$$V_{Line} = \frac{vcodes / Sens_{(V)}}{SF_{Line2Device}}$$

The full-scale line voltage occurs at  $V_{CODE} = \pm 27500$  and  $V_{RMS} = 55000$ , which is 0.84 of both the  $V_{CODES}$  and  $V_{RMS}$  whole registers. The  $V_{CODES}$  and  $V_{RMS}$  registers are the same size but, rms is unsigned so the same equivalent voltage between the two registers is  $V_{RMS} = 2 \times |V_{CODES}|$  which makes the  $V_{Line\_RMS}$  calculation:

$$V_{Line\_RMS} = \frac{vrms / (2 \times Sens_{(V)})}{SF_{Line2Device}}$$



**Figure 20: Output Saturation**

### Current Measurement

For the current path, there are two current ranges to consider: the range of RMS current to be measured and the range required for overcurrent fault detection.

When considering the range of RMS current to be measured, the

Current Sensing Range ( $I_{PR}$ ) is not to be exceeded. This can lead to saturation, as shown in Figure 20, and lead to error in the RMS calculations.

The overcurrent fault detection can exceed  $I_{PR}$  and is defined as Fault Range Max,  $I_{FAULT(MAX)}$ . Once the current exceeds  $I_{PR}$ , the RMS calculations will no longer be accurate.

## CONFIGURING THE DEVICE FOR DC APPLICATIONS OR FOR APPLICATIONS WITH NO VOLTAGE ZERO CROSSING

The follow recommendations are provided for DC applications, as well as any other applications where there is no voltage zero crossing. Possible applications include current sensing only, sensing of a rectified voltage signal, or applications where the nominal frequency on the voltage channel is greater than 300 Hz.

### Device EEPROM Settings

For DC power monitoring applications using the ACS37800 or applications only using the current measurement capability of the ACS37800, the following device settings are recommended.

#### FIXED SETTING OF N

Set  $BYPASS\_N\_EN = 1$ . This setting disables the dynamic calculation of  $n$  based off voltage zero crossings and sets  $N$  to a fixed value, which is set using EEPROM field  $N$ . See the Register Details – EEPROM section for additional details.

### Voltage Measurement

#### RECOMMENDED APPLICATION CIRCUITS

The recommended application circuit for the voltage channel in DC operation is the same as the AC application circuit where Device GND is connected to Neutral (refer to Figure 18).

### Current Measurement

The same considerations for AC applications can be used for the current path for DC applications.

### Current Channel Trimming

To interpret the ICODES register into line current, the user can use  $Sens_{(I)\_measured}$  to calculate the current most accurately or the user can assume  $Sens_{(I)\_ideal}$  to calculate current. Regardless of the

chosen  $Sens_{(I)}$ , the equation for line current,  $I_P$ , will be the same:

$$I_P = \frac{icodes}{Sens_{(I)}}$$

The user can also trim the current channels offset and gain. This is further described with the following recommended trim flow.

The current channels offset (QVO\_FINE, bits 8:0) and gain (SENS\_FINE, bits 18:9) can be trimmed with fields in EEPROM (0x0B) and shadow (0x1B). It is important to note that full-scale measurement current should not exceed code  $\pm 27500$  in ICODES when trimming for the best accuracy performance. The recommended current channel trim flow starts with sensitivity trim:

1. Read and average ICODES over a second with two fully settled and measured applied currents.
  - A. The device cannot be trimmed to be more accurate than the current forced and external measurement tolerances.
2. Calculate the devices initial  $Sens_{(I)\_initial}$  with the following equation:

$$Sens_{(I)\_initial} = \frac{icodes_{2\_avg} - icodes_{1\_avg}}{I_{P\_2} - I_{P\_1}}$$

3. Read the initial SNS\_FINE register (0x0B/0x1B, bits 18:9) value signed.
4. Change the SNS\_FINE register by a fixed amount in the desired direction.
5. Repeat steps 1 and 2 to calculated  $Sens_{(I)\_step}$ .
6. The SNS\_FINE step size can now be calculated by the following equation:

$$LSB_{sns\_fine} = \frac{Sens_{(I)\_step} - Sens_{(I)\_initial}}{sns\_fine_{step} - sns\_fine_{initial}}$$

- Calculate the SENS\_FINE change needed to reach the desired trim using the following equation:

$$sns\_fine_{new} = sns\_fine_{step} + \frac{Sens_{(I)\_step} - Sens_{(I)\_desired}}{LSB_{sns\_fine}}$$

- Change SNS\_FINE to the new calculated value in step 7.
- Repeat step 1 and 2 to calculate  $Sens_{(I)\_new}$ .
- Repeat steps 6-9 until the device is within  $\frac{1}{2} LSB_{sns\_fine}$  or within error tolerance.

After the current channel sensitivity has been trim the offset can now be trimmed using the following steps:

- Measure the initial quiescent code offset by reading and averaging ICODES over a second with no current running through the IP pins.
  - Even small leakage currents can affect results.
- Record the initial QVO\_FINE register value (0x0B/0x1B, bits 8:0).

- Change the QVO\_FINE by a fixed amount towards signed 0.
- Repeat step one to record the quiescent code offset with the applied change to QVO\_FINE.
- Calculate the step size of the QVO\_FINE register using the following equation:

$$LSB_{qvo\_fine} = \frac{QVO_{step} - QVO_{initial}}{qvo\_fine_{step} - qvo\_fine_{initial}}$$

- Calculate the new QVO\_FINE value based on the  $QVO_{step}$  using the following equation:

$$qvo\_fine_{new} = qvo\_fine_{step} \frac{QVO_{step}}{LSB_{qvo\_fine}}$$

- Repeat step 1 and record the new quiescent code offset.
- Repeat steps 5-7 until the device is within  $\frac{1}{2} LSB_{qvo\_fine}$  or within the error tolerance.

## RMS AND POWER ACCURACY VS. OPERATION POINT

### RMS and Power Output Error vs. Applied Input

When using the ACS37800 to measure for RMS calculations and power monitoring, it is important to consider the error specifications of the device.

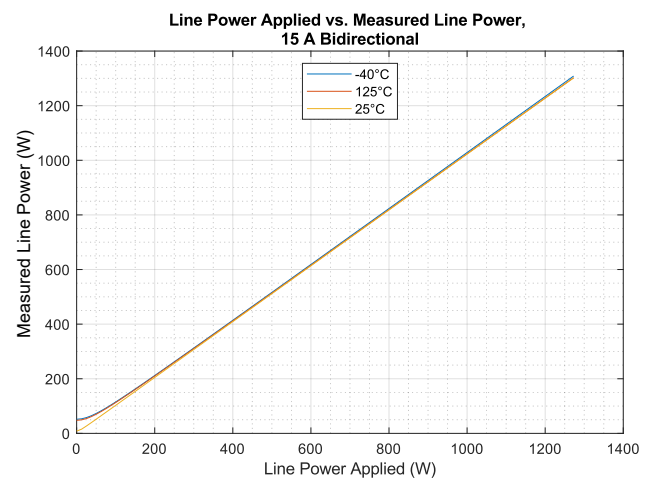
For DC applications, the impact of offset and gain error on the final output is straightforward, but for RMS and power calculations, the impact of any errors, specifically offset errors, becomes dependent on the magnitude of the applied signal.

Figure 21 shows an example system where the maximum measurable power is ~1.3 kW, based on the system design. The over-temperature offset performance of the ACS37800 causes an error in the measured power that is larger when the applied power is close to 0 W.

The offset performance of the voltage channel is such that its contribution to this error is negligible. The current RMS measurement and the power calculations are where this error is observed.

The following figures (Figure 22 through Figure 27) display the

measurement error for the RMS current and active power for each available device variant.



**Figure 21: Line Power Applied (W) vs. Measured Line Power (W), 15B5 Device**

## 15B5 I<sub>RMS</sub> and Power Error

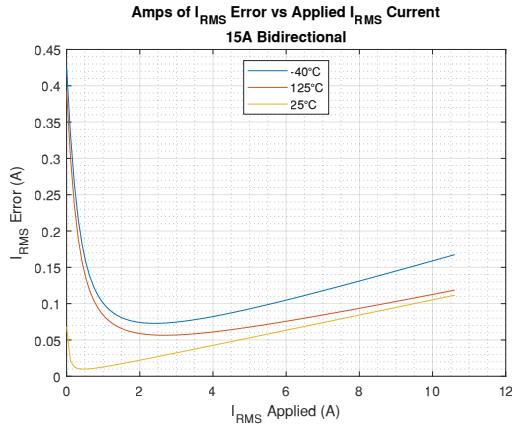


Figure 22: I<sub>RMS</sub> Error [A] vs. Applied I<sub>RMS</sub> [A]

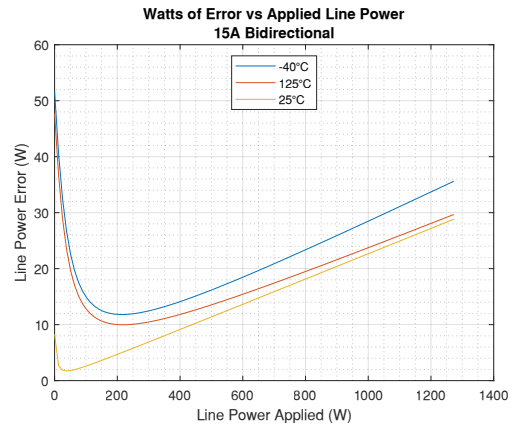


Figure 23: Line Power Error [W] vs. Applied Line Power [W]

## 30B3 I<sub>RMS</sub> and Power Error

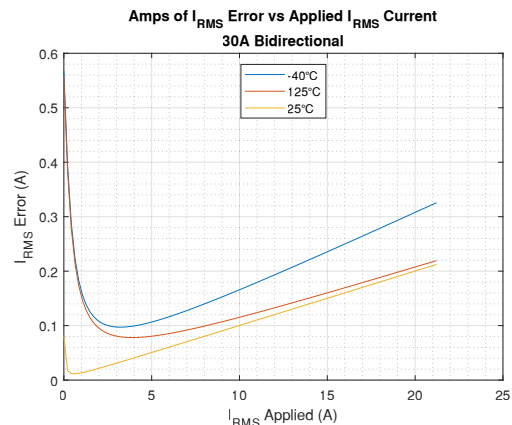


Figure 24: I<sub>RMS</sub> Error [A] vs. Applied I<sub>RMS</sub> [A]

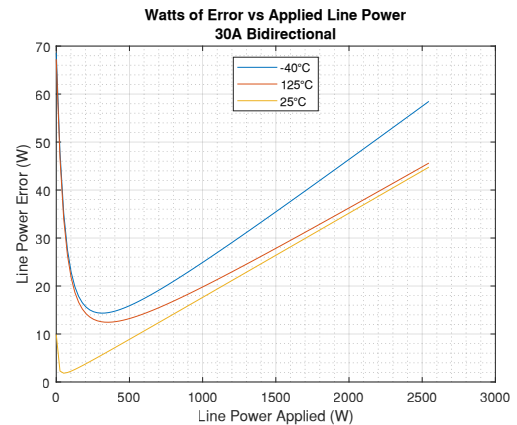


Figure 25: Line Power Error [W] vs. Applied Line Power [W]

## 90B3 I<sub>RMS</sub> and Power Error

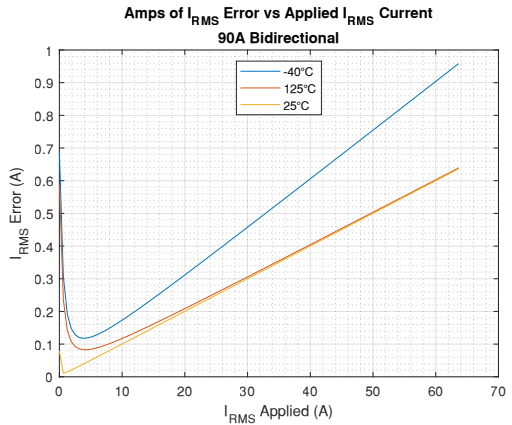


Figure 26: I<sub>RMS</sub> Error [A] vs. Applied I<sub>RMS</sub> [A]

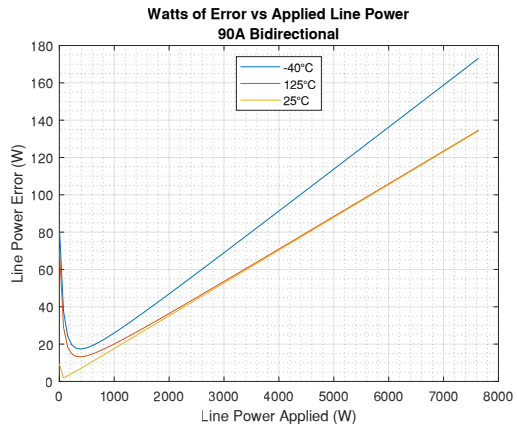


Figure 27: Line Power Error [W] vs. Applied Line Power [W]

### DIGITAL COMMUNICATION

#### Communication Interfaces

The ACS37800 supports communication over 1 MHz I<sup>2</sup>C and 10 MHz SPI. However, the communication protocol is fixed during factory programming. The ACS37800 MISO pin continues to drive the MISO line when CS goes high. This may prevent other devices from communicating properly. It is recommended that the ACS37800 be the only device on the SPI bus if using SPI communication.

#### SPI

The SPI frame consists of:

- The Controller writes on the MOSI line the 7-bit address of the register to be read from or written to.
- The next bit on the MOSI line is the read/write (RW) indicator. A high state indicates a Read and a low state indicates a Write.
- The device sends a 32-bit response on the MISO line. The contents correspond to the previous command.
- On the MOSI line, if the current command is a write, the 32 bits correspond to the Write data, and in the case of a read, the data is ignored.

#### Registers and EEPROM

##### WRITE ACCESS

The ACS37800 supports factory and customer EEPROM space as well as volatile registers. The customer access code must be sent prior to writing these customer EEPROM spaces. In addition, the device includes a set of free space EEPROM registers that are accessible with or without writing the access code.

##### READ ACCESS

All EEPROM and volatile registers may be read at any time regardless of the access code.

##### EEPROM

At power up, all shadow registers are loaded from EEPROM, including all configuration parameters. The shadow registers can be written to in order to change the device behavior without having to perform an EEPROM write. Any changes made in shadow memory are volatile and do not persist through a reset event.

##### WRITING

The Timing Diagram for an EEPROM write is shown in Figure 28 and Figure 29.

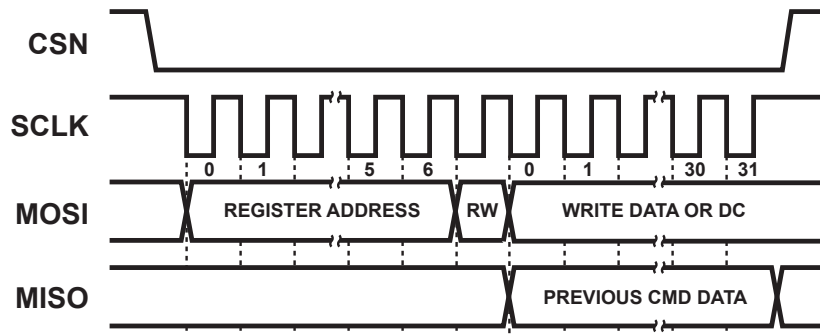


Figure 28: EEPROM Write – SPI Mode

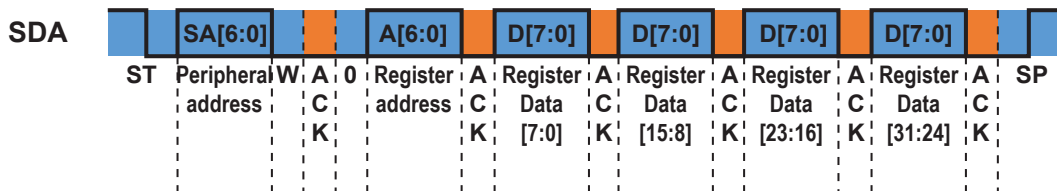
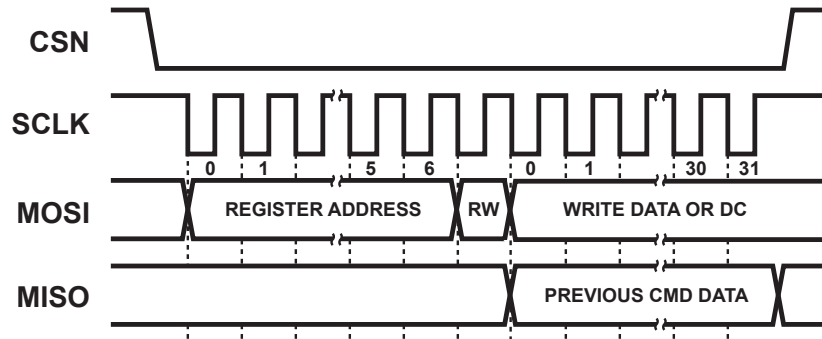


Figure 29: EEPROM Write – I<sup>2</sup>C Mode  
Blue represents data sent by the controller and orange is the data sent by the peripheral.

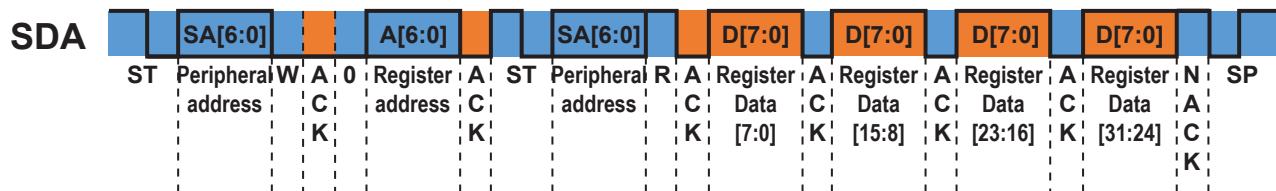
### READING

The timing diagram for an EEPROM read is shown in Figure 30 and Figure 31.



**Figure 30: EEPROM Read – SPI Mode**

For SPI, the read data will be sent out during the above command.



**Figure 31: EEPROM Read – I<sup>2</sup>C Mode**

Blue represents data sent by the controller and orange is the data sent by the peripheral.

### EEPROM Error Checking and Correction (ECC)

Hamming code methodology is implemented for EEPROM checking and correction (ECC). ECC is enabled after power-up.

The ACS37800 analyzes message data sent by the controller and the ECC bits are added. The first 6 bits sent from the device to the controller are dedicated to ECC. The device always returns 32 bits.

#### EEPROM ECC Errors

Bits	Name	Description
31:28	–	No meaning
27:26	ECC	00 = No Error 01 = Error detected and message corrected 10 = Uncorrectable error 11 = No meaning
25:0	D[25:0]	EEPROM data

### I<sup>2</sup>C Peripheral Addressing

The ACS37800 supports I<sup>2</sup>C communication over the SCL and SDA lines at speeds of up to 400 kHz. When the device first powers on, it measures the voltage level on the two DIO pins. It converts both voltage levels into a 4-bit code for a total of sixteen peripheral addresses. Table 2 shows the sixteen possible I<sup>2</sup>C configurations that can be set with externally applied voltage. If both pins are pulled to V<sub>CC</sub>, then the internal peripheral address stored in EEPROM is used. By default, the value of I2C\_SLV\_ADDR is programmed at the Allegro factory to 127, but this can be changed with programming by the customer.

If for any reason the external peripheral address setting feature

is not desired, the DIO polling can be disabled by setting the I2C\_DIS\_SLV\_ADDR. When this bit is set, the ACS37800 will automatically use the number stored in I2C\_SLV\_ADDR as the I<sup>2</sup>C peripheral address regardless of the voltage on the DIO pins. Note that the device must be repowered for these changes to take effect.

Table 2: DIO Startup Voltage Addressing

DIO_1		DIO_2		A6	A5	A4	A3	A2	A1	A0	Peripheral Address (decimal)
0	0	0	0	1	1	0	0	0	0	0	96
0	0	0	1	1	1	0	0	0	0	1	97
0	0	1	0	1	1	0	0	0	1	0	98
0	0	1	1	1	1	0	0	0	1	1	99
0	1	0	0	1	1	0	0	1	0	0	100
0	1	0	1	1	1	0	0	1	0	1	101
0	1	1	0	1	1	0	0	1	1	0	102
0	1	1	1	1	1	0	0	1	1	1	103
1	0	0	0	1	1	0	1	0	0	0	104
1	0	0	1	1	1	0	1	0	0	1	105
1	0	1	0	1	1	0	1	0	1	0	106
1	0	1	1	1	1	0	1	0	1	1	107
1	1	0	0	1	1	0	1	1	0	0	108
1	1	0	1	1	1	0	1	1	0	1	109
1	1	1	0	1	1	0	1	1	1	0	110
1	1	1	1	EE	EE	EE	EE	EE	EE	EE	EEPROM value

### MEMORY MAP

#### EEPROM/Shadow Memory

	Address	Bits																																	
		31	30	29	28	27	26	25	24	23	22	21	20	19	18	17	16	15	14	13	12	11	10	9	8	7	6	5	4	3	2	1	0		
EEPROM	0x0B	ECC								PAVGSELEN	IAVGSELEN	CRS_SNS		SNS_FINE						QVO_FINE															
	0x0C	ECC						VCHAN_OFFSET_CODE				RMS_AVG_2						RMS_AVG_1																	
	0x0D	ECC								FLTDLY		FAULT							CHAN_DEL_SEL			ICHAN_DEL_EN													
	0x0E	ECC						ZEROCROSSEDGESEL	ZEROCROSSCHANSEL	SQUAREWAVE_EN	HALFCYCLE_EN	DELAYCNT_SEL	UNDERVREG						OVERVREG						VEVENT_CYCS										
	0x0F	ECC						BYPASS_N_EN	N						DIO_1_SEL		DIO_0_SEL		I2C_DIS_SLV_ADDR		I2C_SLV_ADDR														
Shadow	0x1B									PAVGSELEN	IAVGSELEN	CRS_SNS		SNS_FINE						QVO_FINE															
	0x1C									VCHAN_OFFSET_CODE				RMS_AVG_2						RMS_AVG_1															
	0x1D									FLTDLY		FAULT							CHAN_DEL_SEL			ICHAN_DEL_EN													
	0x1E								ZEROCROSSEDGESEL	ZEROCROSSCHANSEL	SQUAREWAVE_EN	HALFCYCLE_EN	DELAYCNT_SEL	UNDERVREG						OVERVREG						VEVENT_CYCS									
	0x1F								BYPASS_N_EN	N						DIO_1_SEL		DIO_0_SEL		I2C_DIS_SLV_ADDR		I2C_SLV_ADDR													

### Register Details – EEPROM

#### Register 0x0B/0x1B

Bits	Name	Default Value	Description
8:0	QVO_FINE	Device Specific	Offset fine trimming on current channel
18:9	SNS_FINE	Device Specific	Fine gain trimming on the current channel
21:19	CRS_SNS	Selection Specific	Coarse gain setting
22	IAVGSELEN	0	Current Averaging selection
23	PAVGSELEN	0	Power Averaging selection
31:26	ECC	–	Error Code Correction

#### QVO\_FINE

Offset adjustment for the current channel. This is a signed 9-bit number with an input range of –256 to 255. With a step size of 64 LSB, this equates to an offset trim range of –16384 to 16320 LSB, which is added to the ICODES value. Refer to Current Channel Trimming section for further information. QVO\_FINE is further described in Table 3.

Table 3: QVO\_FINE

Range	Value	Units
–256 to 255	–16,384 to 16,320	LSB

#### SNS\_FINE

Gain adjustment for the current channel. This is a signed 10-bit number with an input range of –256 to 255. This gain adjustment is implemented as a percentage multiplier centered around 1 (i.e. writing a 0 to this field multiplies the gain by 1, leaving the gain unaffected). The fine sensitivity parameter ranges from 60% to 140% of code 0. Refer to Current Channel Trimming section for further information SNS\_FINE is further described in Table 4.

Table 4: SNS\_FINE

Range	Value	Units
–256 to 255	60 to 140	% of code 0

#### CRS\_SNS

Coarse gain adjustment for the current channel. This gain is implemented in the analog domain before the ADC. This is a 3-bit number that allows for 8 gain selections. Adjustments to CRS\_SNS may impact the device’s performance over temperature. Datasheet limits apply only to the factory settings for CRS\_SNS. The gain settings map to 1×, 2×, 3×, 3.5×, 4×, 4.5×, 5.5×, and 8×. CRS\_SNS is further described in Table 5.

Table 5: CRS\_SNS

Range	Value	Units
0	1×	–
1	2×	–
2	3×	–
3	3.5×	–
4	4×	–
5	4.5×	–
6	5.5×	–
7	8×	–

#### IAVGSELEN

Current Averaging selection enable. 0 will select VRMS for averaging. 1 will select IRMS for averaging.

#### PAVGSELEN

Power Averaging selection enable. 0 will select VRMS for averaging. 1 will select PACTIVE for averaging.

### Register 0x0C/0x1C

Bits	Name	Default Value	Description
6:0	RMS_AVG_1	0	Average of the RMS voltage or current – stage 1
16:7	RMS_AVG_2	0	Average of the RMS voltage or current – stage 2
24:17	VCHAN_OFFSET_CODE	Device Specific	Controls the room offset for the voltage channel
31:26	ECC	–	Error Code Correction

#### RMS\_AVG\_1

Number of averages for the first averaging stage (VRMSAVGONESEC or IRMSAVGONESEC). The value written into this field directly maps to the number of averages ranging from 0 to 127. For optimal performance, an even number of averages should be used. The channel to be averaged is selected by the current average select enable bit (IAVGSELEN). RMS\_AVG\_1 is further described in Table 6.

Table 6: RMS\_AVG\_1

Range	Value	Units
0 to 127	0 to 127	number of averages

#### RMS\_AVG\_2

Number of averages for the second averaging stage (VRMSAVGONEMIN or IRMSAVGONEMIN). This stage averages the outputs of the first averaging stage. The value written into this field directly maps to the number of averages ranging from 0 to 1023. For optimal performance, an even number of averages should be used. The channel to be averaged is selected by the current average select enable bit (IAVGSELEN). RMS\_AVG\_2 is further described in Table 7.

Table 7: RMS\_AVG\_2

Range	Value	Units
0 to 1023	0 to 1023	number of averages

#### VCHAN\_OFFSET\_CODE

This controls the offset of the voltage channel at room.

Table 8: VCHAN\_OFFSET\_CODE

Range	Value	Units
–128 to 127	–2048 to 2032	codes

### Register 0x0D/0x1D

Bits	Name	Default Value	Description
7	ICHAN_DEL_EN	0	Enable phase delay on voltage or current channel
11:9	CHAN_DEL_SEL	0	Sets phase delay on voltage or current channel
20:13	FAULT	70	Sets the overcurrent fault threshold
23:21	FLTDLY	0	Sets the overcurrent fault delay
31:26	ECC	–	Error Code Correction

#### ICHAN\_DEL\_EN

Enables delay for either the voltage or current channel. Setting to 1 enables delay for the current channel. ICHAN\_DEL\_EN is further described in Table 9.

Table 9: ICHAN\_DEL\_EN

Range	Value	Units
0	0 – voltage channel	LSB
1	1 – current channel	LSB

#### CHAN\_DEL\_SEL

Sets the amount of delay applied to the voltage or current channel (set by ICHAN\_DEL\_EN). CHAN\_DEL\_SEL is further described in Table 10.

Table 10: CHAN\_DEL\_SEL

Range	Value	Units
0 to 7	0 to 219	µs

#### FAULT

Overcurrent fault threshold. This is an unsigned 8-bit number with an input range of 0 to 255, which equates to a fault range of 65% to 200% of IP. The factory setting of this field is 70. FAULT is further described in Table 11.

Table 11: FAULT

Range	Value	Units
0 to 255	56 to 225	% of IP

#### FLTDLY

Fault delay setting of the amount of delay applied before flagging a fault condition. FLTDLY is further described in Table 12.

Table 12: FLTDLY

Range	Value	Units
0	0	µs
1	0	µs
2	4.75	µs
3	9.25	µs
4	13.75	µs
5	18.5	µs
6	23.25	µs
7	27.75	µs

### Register 0x0E/0x1E

Bits	Name	Default Value	Description
5:0	VEVENT_CYCS	0	Sets the number of qualifying cycles needed to flag overvoltage or undervoltage
13:8	OVERVREG	0	Sets the overvoltage fault threshold
19:14	UNDERVREG	0	Sets the undervoltage fault threshold
20	DELAYCNT_SEL	0	Sets the width of the voltage zero-crossing output pulse
21	HALFCYCLC_EN	0	Sets the zero crossing flag triggering on half or full cycle (default: full cycle)
22	SQUAREWAVE_EN	0	Sets the zero crossing pulse characteristics (default: pulse)
23	ZEROCROSSCHANSEL	0	Sets the channel that triggers the zero crossing flag (default: voltage)
24	ZEROCROSSEDGESEL	0	Sets the edge that triggers zero crossing flag
31:26	ECC	–	Error Code Correction

#### VEVENT\_CYCS

Sets the number of cycles required to assert the OVRMS flag or the UVRMS. This is an unsigned 6-bit number with an input range of 0 to 63. The value in this field directly maps to the number of cycles. VEVENT\_CYCS is further described in Table 13.

Table 13: VEVENT\_CYCS

Range	Value	Units
0 to 63	1 to 64	cycles

#### OVERVREG

Sets the threshold of the overvoltage RMS flag (OVRMS). This is a 6-bit number ranging from 0 to 63. This trip level spans the entire range of the VRMS register. The flag is set if the RMS value is above this threshold for the number of cycles selected in VEVENT\_CYCS. OVERVREG is further described in Table 14.

Table 14: OVERVREG

Range	Value	Units
0 to 63	0 to 65536	LSB

#### UNDERVREG

Sets the threshold of the undervoltage RMS flag (UVRMS). This is a 6-bit number ranging from 0 to 63. This trip level spans one entire range of the VRMS register. The flag is set if the RMS value is below this threshold for the number of cycles selected in VEVENT\_CYCS. UNDERVREG is further described in Table 15.

Table 15: UNDERVREG

Range	Value	Units
0 to 63	0 to 65536	LSB

#### DELAYCNT\_SEL

Selection bit for the width of pulse for a voltage zero-crossing event. When set to 0, the pulse is 32  $\mu$ s. When set to 1, the pulse is 256  $\mu$ s. When the SQUAREWAVE\_EN bit is set, this field is ignored. DELAYCNT\_SEL is further described in Table 16.

Table 16: DELAYCNT\_SEL

Range	Value	Units
0	32	$\mu$ s
1	256	$\mu$ s

#### HALFCYCLE\_EN

Setting for the zero-crossing flag. When set to 0, the voltage zero-crossing will be indicated on every edge determined by ZEROCROSSINGEDGESEL. When set to 1, the voltage zero-crossing will be indicated on both rising and falling edges.

#### SQUAREWAVE\_EN

Setting for the zero-crossing flag. When set to 0, the zero-crossing event will be indicated by a pulse on the DIO pin. When set to 1, the zero-crossing event will be indicated by a level change on the DIO pin.

#### ZEROCROSSINGCHANSEL

Determines which channel will trigger the zero-crossing flag. 0 is the voltage channel. 1 is the current channel with zero-crossing flag for rising and falling with only one customizable register DELAYCNT\_SEL.

#### ZEROCROSSINGEDGESEL

This determines whether the zero-crossing flag triggers on rising or falling. Note: if HALFCYCLE\_EN = 1, this setting does not matter.

### Register 0x0F/0x1F

Bits	Name	Default Value	Description
8:2	I2C_SLV_ADDR	127	I2C peripheral address selection
9	I2C_DIS_SLV_ADDR	0	Disable I2C peripheral address selection circuit
11:10	DIO_0_SEL	0	Digital output 0 multiplexor selection bits
13:12	DIO_1_SEL	0	Digital output 1 multiplexor selection bits
23:14	N	0	Sets the number of samples used in RMS calculations when BYPASS_N_EN = 1
24	BYPASS_N_EN	0	Set whether RMS is calculated based on voltage zero crossing or N samples from the above registers
31:26	ECC	–	Error Code Correction

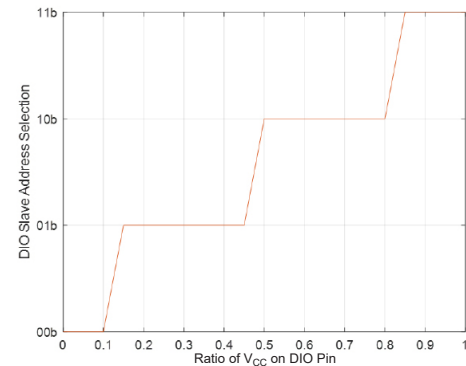
### I2C\_SLV\_ADDR

Settings for the I2C peripheral address externally. When I2C\_DIS\_SLV\_ADDR is set to 0, the voltage on the DIO pins are measured at power on and are used to set the device’s peripheral address.

Each DIO pin has 4 voltage “bins” which may be used to set the I2C peripheral address. These voltages may be set using resistor divider circuits from V<sub>CC</sub> to GND. I2C\_SLV\_ADDR is further described in Table 17.

Table 17: I2C\_SLV\_ADDR

DIO_1 (decimal)	DIO_0 (decimal)	Peripheral Address (decimal)
0	0	96
0	1	97
0	2	98
0	3	99
1	0	100
1	1	101
1	2	102
1	3	103
2	0	104
2	1	105
2	2	106
2	3	107
3	0	108
3	1	109
3	2	110
3	3	EEPROM value



### I2C\_DIS\_SLV\_ADDR

When I2C\_DIS\_SLV\_ADDR is set to 1, the address is set through EEPROM field I2C\_SLV\_ADDR[6:0]. This enables or disables the analog I2C peripheral address feature at power on. When this bit is set, the I2C peripheral address will map directly to I2C\_SLV\_ADDR.

### DIO\_0\_SEL

Determines which flags are output on the DIO0 pin. Only used when the device is in I2C programming mode.

### DIO\_1\_SEL

Determines which flags are output on the DIO1 pin. Only used when the device is in I2C programming mode.

# ACS37800

## Isolated, Digital Output, Power Monitoring IC with Zero-Crossing Detection, Overcurrent and Overvoltage Flagging

### Volatile Memory

Address	Bits																																																
	31	30	29	28	27	26	25	24	23	22	21	20	19	18	17	16	15	14	13	12	11	10	9	8	7	6	5	4	3	2	1	0																	
0x20	IRMS																VRMS																																
0x21	PIMAG																PACTIVE																																
0x22				POSPF	POSANGLE																													PAPARENT															
0x23	[Greyed out]																																																
0x24	[Greyed out]																																																
0x25	[Greyed out]																																																
0x26	IRMSAVGONESEC																VRMSAVGONESEC																																
0x27	IRMSAVGONEMIN																VRMSAVGONEMIN																																
0x28	[Greyed out]																																																
0x29	[Greyed out]																																																
0x2A	ICODES																VCODES																																
0x2B	[Greyed out]																																																
0x2C	[Greyed out]																																																
0x2D	[Greyed out]																																																
0x2E	[Greyed out]																																																
0x2F	ACCESS_CODE																																																
0x30	[Greyed out]																																																
0x31	[Greyed out]																																																

VOLATILE

### Register Details – Volatile

#### Register 0x20

Bits	Name	Description
15:0	VRMS	Voltage RMS value
31:16	IRMS	Current RMS value

#### VRMS

RMS voltage output. This field is an unsigned 16-bit fixed point number with 16 fractional bits, where  $\Delta V_{IN(MAX)} = 0.84$ , and  $\Delta V_{IN(min)} = -0.84$ . To convert the value (input voltage) to line voltage, divide the input voltage by the  $R_{SENSE}$  and  $R_{ISO}$  voltage divider ratio using actual resistor values.

Table 18: VRMS

Register Range	Valid Range	Value	Units
0 to ~1	0 to ~0.84	$[0 \text{ to } \sim 1] \times \Delta V_{IN(MAX)} \times 1.19$	mV

#### IRMS

RMS current output. This field is a signed 16-bit fixed point number with 16 fractional bits, where  $I_{IP(MAX)} = 0.84$ , and  $I_{IP(MIN)} = -0.84$ . To convert the value (input voltage) to line voltage, divide the input voltage by the  $R_{SENSE}$  and  $R_{ISO}$  voltage divider ratio using actual resistor values.

Table 19: IRMS

Register Range	Valid Range	Value	Units
0 to ~1	0 to ~0.84	$[0 \text{ to } \sim 1] \times I_{PR(MAX)} \times 1.19$	A

#### Register 0x21

Bits	Name	Description
15:0	PACTIVE	Active power
31:16	PIMAG	Reactive power

#### PACTIVE

Active power output. This field is a signed 16-bit fixed point number with 15 fractional bits, where positive MaxPow = 0.704, and negative MaxPow = -0.704. To convert the value (input power) to line power, divide the input power by the  $R_{SENSE}$  and  $R_{ISO}$  voltage divider ratio using actual resistor values.

Table 20: PACTIVE

Register Range	Valid Range	Value	Units
-1 to ~1	-0.704 to ~0.704	$[1 \text{ to } \sim 1] \times \text{MaxPow} \times 1.42$	mW

#### PIMAG

Reactive power output. This field is an unsigned 16-bit fixed point number with 16 fractional bits, where MaxPow = 0.704. To convert the value (input power) to line power, divide the input power by the  $R_{SENSE}$  and  $R_{ISO}$  voltage divider ratio using actual resistor values.

Table 21: PIMAG

Register Range	Valid Range	Value	Units
0 to ~1	0 to ~0.704	$[0 \text{ to } \sim 1] \times \text{MaxPow} \times 1.42$	mVA

### Register 0x22

Bits	Name	Description
15:0	PAPPARENT	Apparent power magnitude
26:16	PFACTOR	Power factor
27	POSANGLE	Sign of the power angle
28	POSPF	Sign of the power factor

#### PAPPARENT

Apparent power output magnitude. This field is an unsigned 16-bit fixed point number with 16 fractional bits, where  $\text{MaxPow} = 0.704$ . To convert the value (input power) to line power, divide the input power by the  $R_{\text{SENSE}}$  and  $R_{\text{ISO}}$  voltage divider ratio using actual resistor values.

Table 22: PAPPARENT

Register Range	Valid Range	Value	Units
0 to ~1	0 to ~0.704	$[0 \text{ to } \sim 1] \times \text{MaxPow} \times 1.42$	mVAR

#### PFACTOR

Power factor output. This field is a signed 11-bit fixed point number with 10 fractional bits. It ranges from  $-1$  to  $\sim 1$  with a step size of  $2^{-10}$ . PFACTOR is further described in Table 23.

Table 23: PFACTOR

Range	Value	Units
$-1$ to $\sim 1$	$-1$ to $\sim 1$	–

### Register 0x25

Bits	Name	Description
9:0	NUMPTSOUT	Number of samples of current and voltage used for calculations

#### NUMPTSOUT

Number of points used in the RMS calculation. This will be the dynamic value that is evaluated internally to the device based on full cycle zero crossings of the voltage channel. NUMPTSOUT is further described in Table 24.

Table 24: NUMPTSOUT

Range	Value	Units
0 to 1023	0 to 1023	samples

#### POSANGLE

Bit to represent leading or lagging. A 0 represents the current leading and a 1 represents the current lagging.

#### POSPF

Sign bit to represent if the power is being generated (0) or consumed (1).

### Register 0x26

Bits	Name	Description
15:0	VRMSAVGONESEC	Averaged voltage RMS value; duration set by RMS_AVG_1. This register will be zero if IAVGSELEN = 1
31:16	IRMSAVGONESEC	Averaged current RMS value; duration set by RMS_AVG_1. This register will be zero if IAVGSELEN = 0

#### VRMSAVGONESEC

Voltage RMS value averaged according to RMS\_AVG\_1. This register will be zero if IAVGSELEN = 1.

#### IRMSAVGONESEC

Current RMS value averaged according to RMS\_AVG\_1. This register will be zero if IAVGSELEN = 0.

### Register 0x27

Bits	Name	Description
15:0	VRMSAVGONEMIN	Averaged voltage RMS value; duration set by RMS_AVG_2. This register will be zero if IAVGSELEN = 1
31:16	IRMSAVGONEMIN	Averaged current RMS value; duration set by RMS_AVG_2. This register will be zero if IAVGSELEN = 0

#### VRMSAVGONEMIN

Voltage RMS value averaged according to RMS\_AVG\_2. This register will be zero if IAVGSELEN = 1.

#### IRMSAVGONEMIN

Current RMS value averaged according to RMS\_AVG\_2. This register will be zero if IAVGSELEN = 0.

### Register 0x28

Bits	Name	Description
15:0	PACTAVGONESEC	Active Power value averaged over up to one second; duration set by RMS_AVG_1.

#### PACTAVGONESEC

Active power value averaged according to RMS\_AVG\_1.

### Register 0x29

Bits	Name	Description
15:0	PACTAVGONEMIN	Active Power value averaged over up to one minute; duration set by RMS_AVG_2.

#### PACTAVGONEMIN

Active power value averaged according to RMS\_AVG\_2.

### Register 0x2A

Bits	Name	Description
15:0	VCODES	Instantaneous voltage measurement
31:16	ICODES	Instantaneous current measurement

### VCODES

This field contains the instantaneous voltage measurement before any RMS calculations are done. It is a 16-bit signed fixed point number with 15 fractional bits, where  $\Delta V_{IN(MAX)} = 0.84$  and  $\Delta V_{IN(MIN)} = -0.84$ . To convert the value (input voltage) to line voltage, divide the input voltage by the  $R_{SENSE}$  and  $R_{ISO}$  voltage divider ratio using the resistor values.

Table 25: VCODES

Register Range	Valid Range	Value	Units
-1 to ~1	-0.84 to ~0.84	$[-1 \text{ to } \sim 1] \times \Delta V_{IN(MAX)} \times 1.19$	mV

### ICODES

This field contains the instantaneous current measurement before any RMS calculations are done. This field is a signed 16-bit fixed point number with 15 fractional bits, where  $I_{IP(MAX)} = 0.84$ , and  $I_{IP(MIN)} = -0.84$ .

Table 26: ICODES

Register Range	Valid Range	Value	Units
-1 to ~1	-0.84 to ~0.84	$[-1 \text{ to } \sim 1] \times I_{PR(MAX)} \times 1.19$	A

### Register 0x2C

Bits	Name	Description
15:0	PINSTANT	Instantaneous power – Multiplication of VCODES and ICODES

### PINSTANT

This field contains the instantaneous power measurement before any RMS calculations are done. This field is a signed 16-bit fixed point number with 15 fractional bits, where positive MaxPow = 0.704, and negative MaxPow = -0.704. To convert the value (input power) to line power, divide the input power by the  $R_{SENSE}$  and  $R_{ISO}$  voltage divider ratio using the resistor values.

Table 27: PINSTANT

Register Range	Valid Range	Value	Units
-1 to ~1	-0.704 to ~0.704	$[-1 \text{ to } \sim 1] \times \text{MaxPow} \times 1.42$	mVAR

## Register 0x2D

Bits	Name	Description
0	ZEROCROSSOUT	Zero-crossing output
1	FAULTOUT	Current fault output
2	FAULTLATCHED	Current fault output latched
3	OVERVOLTAGE	Overvoltage flag
4	UNDERVOLTAGE	Undervoltage flag

### ZEROCROSSOUT

Flag for the zero-crossing events. This will be present and active regardless of DIO\_0\_SEL and DIO\_1\_SEL. This flag will still follow the HALFCYCLE\_EN and SQUAREWAVE\_EN settings.

### FAULTOUT

Flag for the overcurrent events. This will be present and active regardless of DIO\_0\_SEL and DIO\_1\_SEL and will only be set when FAULT is present.

### FAULTLATCHED

Flag for the overcurrent events. This bit will latch and will remain 1 as soon as an overcurrent event is detected. This can be reset by writing a 1 to this field. This will be present and active regardless of DIO settings.

### OVERVOLTAGE

Flag for the overvoltage events. This will be present and active regardless of DIO\_0\_SEL and DIO\_1\_SEL and will only be set when FAULT is present.

### UNDERVOLTAGE

Flag for the undervoltage events. This will be present and active regardless of DIO\_0\_SEL and DIO\_1\_SEL and will only be set when FAULT is present.

## Register 0x2F

Bits	Name	Description
31:0	ACCESS_CODE	Access code register: Customer code: 0x4F70656E

## Register 0x30

Bits	Name	Description
0	CUSTOMER_ACCESS	Customer write access enabled. 0 = Non-Customer mode. 1 = Customer mode.

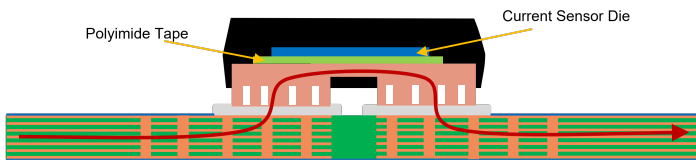
## THERMAL PERFORMANCE

### Thermal Rise vs. Primary Current

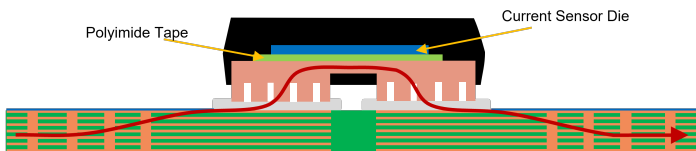
Self-heating due to the flow of current in the package IP conductor should be considered during the design of any current sensing system. The sensor, printed circuit board (PCB), and contacts to the PCB will generate heat and act as a heat sink as current moves through the system.

The thermal response is highly dependent on PCB layout, copper thickness, cooling techniques, and the profile of the injected current. The current profile includes peak current value, current “on-time”, and duty cycle.

Placing vias under the copper pads of the Allegro current sensor evaluation board minimizes the current path resistance and improves heatsinking to the PCB, while vias outside of the pads limit the current path to the top of the PCB trace and have worse heatsinking under the part (see Figure 32 and Figure 33 below). The ACSEVB-MA16-LA16 and the ACSEVB-MC16 bare evaluation boards used for data collection do include vias in pad and is recommended to improve thermal performance. The evaluation boards used for the ACS37800, the ACSEVB-MC16-POWER-IC or ACSEVB-MA16-POWER-IC, include additional application specific circuitry but follow identical board layout techniques and have similar thermal performance.



**Figure 32: Vias Under Copper Pads (not to scale)**



**Figure 33: No Vias Under Copper Pads (not to scale)**

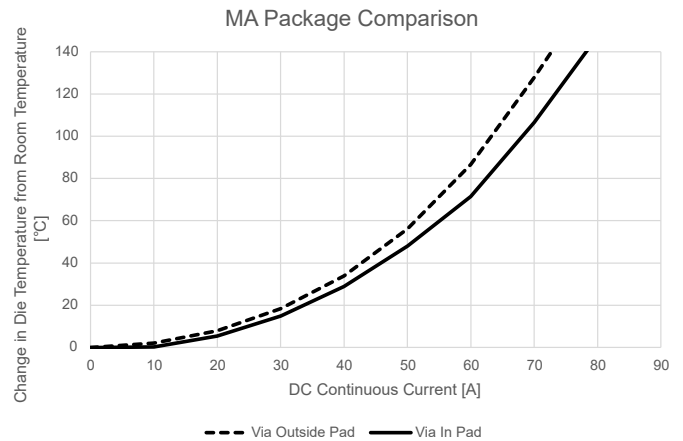
The plot in Figure 34 shows the measured rise in steady-state die temperature of the MA package versus DC continuous current at an ambient temperature,  $T_A$ , of 25 °C for two board designs: filled vias under copper pads and no vias under copper pads.

The plot in Figure 35 shows the measured rise in steady-state die temperature of the MC package versus DC continuous current at an ambient temperature,  $T_A$ , of 25 °C for two board designs:

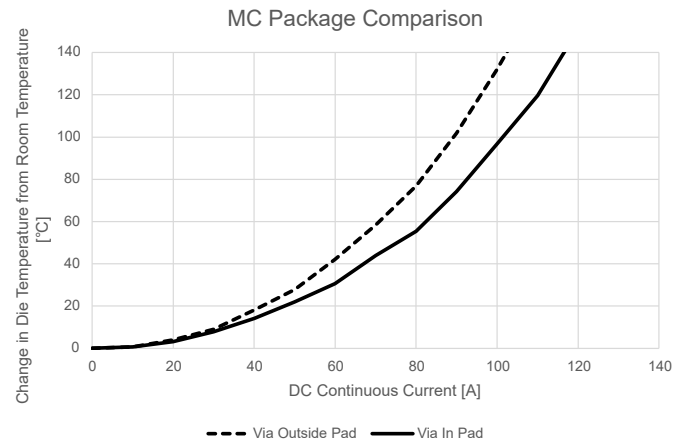
filled vias under copper pads and no vias under copper pads.

**Note: Using in-pad vias has better thermal performance than no in-pad vias, and this is the design the ACSEVB-MC16-POWER-IC or ACSEVB-MA16-POWER-IC use.**

Top and bottom layers of each PCB are shown below in Figure 36 and Figure 37.



**Figure 34: MA Package Comparison with and without In-Pad Vias**



**Figure 35: MC Package Comparison with and without In-Pad Vias**

The thermal capacity of the MA and MC package should be verified by the end user in the application’s specific conditions. The maximum junction temperature,  $T_{J(max)}$  (165°C), should not be exceeded. Measuring the temperature of the top of the package is a close approximation of the die temperature.

# ACS37800

Isolated, Digital Output, Power Monitoring IC  
with Zero-Crossing Detection, Overcurrent and Overvoltage Flagging

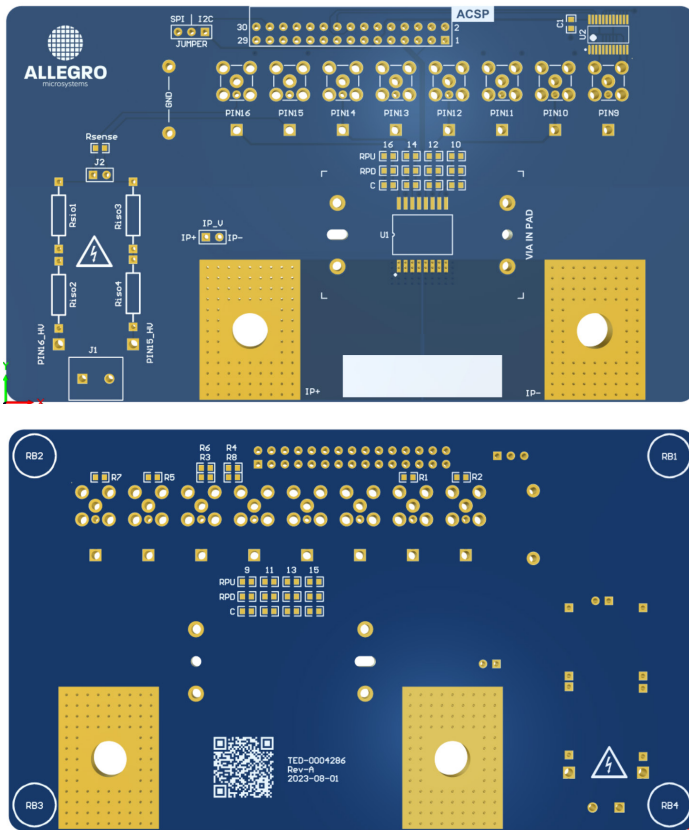


Figure 36: ACSEVB-MC16-POWER-IC /  
ACSEVB-MC16-POWER-IC

## MA PACKAGE OUTLINE DRAWING

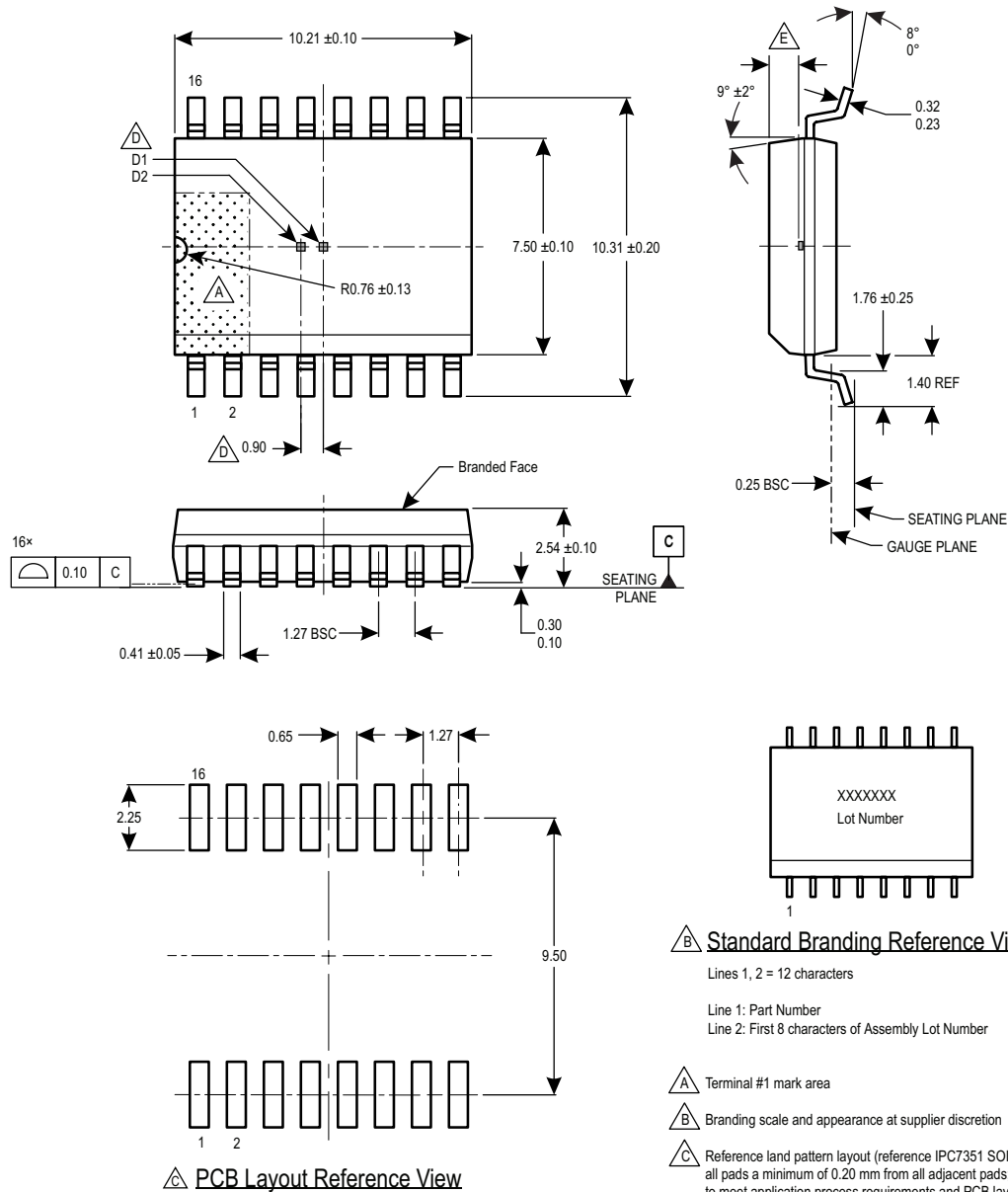
### For Reference Only – Not for Tooling Use

(Reference Allegro DWG-0000388, Rev. 1 and JEDEC MS-013AA)

NOT TO SCALE

Dimensions in millimeters

Dimensions exclusive of mold flash, gate burrs, and dambar protrusions  
Exact case and lead configuration at supplier discretion within limits shown



### Standard Branding Reference View

Lines 1, 2 = 12 characters

Line 1: Part Number

Line 2: First 8 characters of Assembly Lot Number

**A** Terminal #1 mark area

**B** Branding scale and appearance at supplier discretion

**C** Reference land pattern layout (reference IPC7351 SOIC127P600X175-8M); all pads a minimum of 0.20 mm from all adjacent pads; adjust as necessary to meet application process requirements and PCB layout tolerances

**D** Hall elements (D1, D2), not to scale

**E** Active Area Depth 0.293 mm

Figure 37: Package MA, 16-Pin SOICW

## MC PACKAGE OUTLINE DRAWING

**For Reference Only; Not for Tooling Use**

(reference DWG-0000714, Rev. 2)

Dimensions in millimeters

Dimensions exclusive of mold flash, gate burrs, and dambar protrusions

Exact case and lead configuration at supplier discretion within limits shown

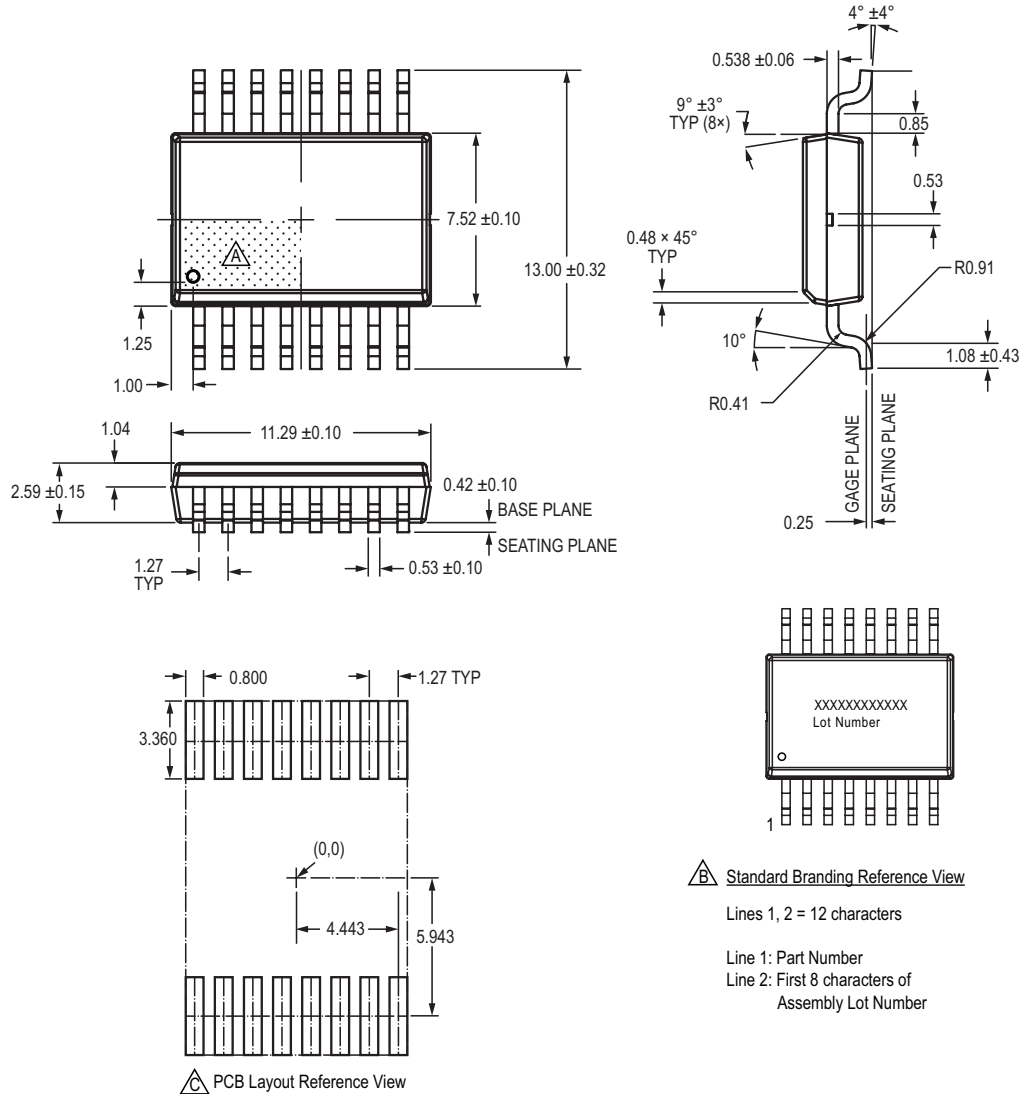


Figure 38: Package MC, 16-Pin SOICW

## Revision History

Number	Date	Description
–	November 30, 2020	Initial release
1	January 27, 2021	Updated Part Numbering schematic (page 2), Supply Bypass Capacitor unit, Current Channel Power Supply Error test conditions (page 6), Figure 4 (page 12), Figure 9 (page 15), and Figure 21 (page 21).
2	February 24, 2021	Removed TUV certificate mark (page 1)
3	March 17, 2022	Updated package drawing (page 40)
4	June 25, 2024	Updated Features and Benefits (page 1); added MC package drawing (page 1); updated selection guide (page 2); updated MA Package Isolation Characteristics (page 3); added MA Package Characteristics (page 3); added MC Package Isolation Characteristics (page 4); updated Thermal Characteristics (page 4); updated Table of Contents (page 6); updated RMS Noise characteristic (page 8); added and updated performance characteristics (pages 9-12, 13-15); updated all registers to conform to current standard (all caps, all pages); updated “master” to “controller” and “slave” to “peripheral” to conform to current standard (all pages); updated Configuring the Device for AC Applications section (page 25); updated Configuring the Device for DC Applications or For Applications with No Voltage Zero Crossing section (pages 26-27); updated Thermal Performance section (pages 44-45); added MC package outline drawing (page 47).

Copyright 2024, Allegro MicroSystems.

Allegro MicroSystems reserves the right to make, from time to time, such departures from the detail specifications as may be required to permit improvements in the performance, reliability, or manufacturability of its products. Before placing an order, the user is cautioned to verify that the information being relied upon is current.

Allegro’s products are not to be used in any devices or systems, including but not limited to life support devices or systems, in which a failure of Allegro’s product can reasonably be expected to cause bodily harm.

The information included herein is believed to be accurate and reliable. However, Allegro MicroSystems assumes no responsibility for its use; nor for any infringement of patents or other rights of third parties which may result from its use.

Copies of this document are considered uncontrolled documents.

*For the latest version of this document, visit our website:*

[www.allegromicro.com](http://www.allegromicro.com)

## Looking for pricing, stock, or lifecycle information?

Click below to explore more details on WIN SOURCE:

- ⊖ [View ACS37800KMACTR-030B3-I2C on WIN SOURCE](#)
- ⊖ [Allegro MicroSystems, LLC Information](#)

## Optimize Your Supply Chain with WIN SOURCE Solutions

- ✓ Global Sourcing Solution
- ✓ Obsolete Management
- ✓ Cost Control Management
- ✓ Shortage Management
- ✓ Alternative Solution
- ✓ Excess Inventory Management