

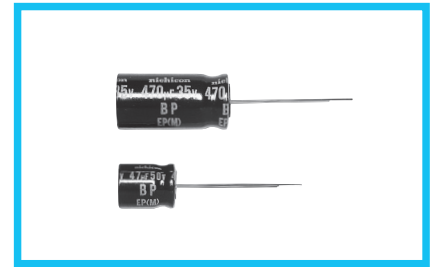


**THE DATASHEET OF
UEP1C101MPD**



UEP

Bi-Polarized, Wide Temperature Range



- Bi-polarized series for operations over wide temperature range of -55°C to $+105^{\circ}\text{C}$.
- Compliant to the RoHS directive (2011/65/EU,(EU)2015/863).

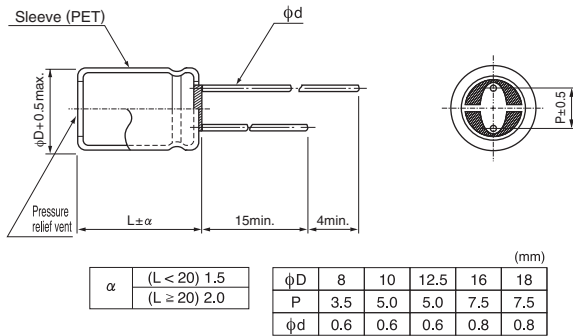


Specifications

Item	Performance Characteristics									
Category Temperature Range	-55 to $+105^{\circ}\text{C}$									
Rated Voltage Range	6.3 to 100V									
Rated Capacitance Range	10 to 6800 μF									
Capacitance Tolerance	$\pm 20\%$ at 120Hz, 20°C									
Leakage Current ※	After 5 minutes' application of rated voltage at 20°C , leakage current is not more than $0.03\text{CV}(\mu\text{A})$.									
Tangent of loss angle (tan δ)	Measurement frequency : 120Hz, Temperature : 20°C									
	Rated voltage (V)	6.3	10	16	25	35	50	63	100	
	tan δ (max.)	0.24	0.24	0.20	0.20	0.16	0.14	0.12	0.10	
Stability at Low Temperature	Measurement frequency : 120Hz									
	Rated voltage (V)		6.3	10	16	25	35	50	63	100
	Impedance ratio (max.)	$Z(-25^{\circ}\text{C}) / Z(+20^{\circ}\text{C})$	4	3	2	2	2	2	2	2
$Z(-40^{\circ}\text{C}) / Z(+20^{\circ}\text{C})$		10	8	6	4	3	3	3	3	
Endurance	The specifications listed at right shall be met when the capacitors are restored to 20°C after the rated voltage is applied for 1000 hours at 105°C with the polarity inverted every 250 hours.									
	Capacitance change	Within $\pm 25\%$ of the initial capacitance value (6.3to16V) Within $\pm 20\%$ of the initial capacitance value (25to100V)								
	tan δ	150% or less than the initial specified value								
	Leakage current	Less than or equal to the initial specified value								
Shelf Life	After storing the capacitors under no load at 105°C for 1000 hours and then performing voltage treatment based on JIS C 5101-4 clause 4.1 at 20°C , they shall meet the specified values for the endurance characteristics listed above.									
Marking	Printed with white color letter on black sleeve.									

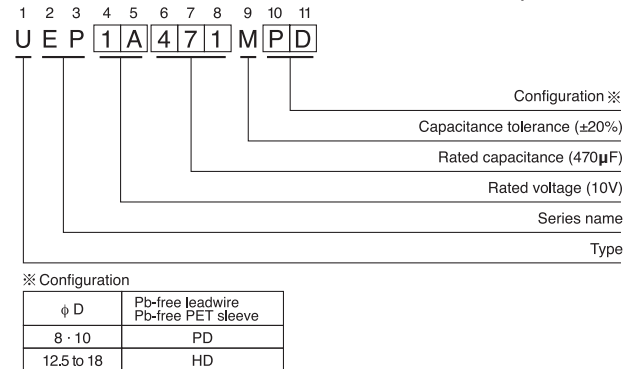
※ I : Leakage Current (μA), C : Rated Capacitance (μF), V : Rated Voltage (V)

Radial Lead Type



- Please refer to the Guidelines for Aluminum Electrolytic Capacitors for end seal configuration information.

Type numbering system (Example : 10V 470 μF)



Frequency coefficient of rated ripple current

Cap.(μF)	Frequency	50 Hz	120Hz	300 Hz	1 kHz	10 kHz or more
10 to 47		0.75	1.00	1.35	1.57	2.00
100 to 470		0.80	1.00	1.23	1.34	1.50
1000 to 6800		0.85	1.00	1.10	1.13	1.15

● Dimension table in next page.

UEP

■ Dimensions

Rated Voltage (V) (code)	Rated Capacitance (μ F)	Case Size ϕ D \times L (mm)	$\tan \delta$	Leakage Current (μ A) (at 20°C after 5 minutes)	Rated Ripple (mArms) (105°C/120Hz)	Part Number
6.3 (0J)	220	8 \times 11.5	0.24	41.58	150	UEP0J221MPD
	330	8 \times 11.5	0.24	62.37	185	UEP0J331MPD
	470	10 \times 12.5	0.24	88.83	260	UEP0J471MPD
	1000	10 \times 20	0.24	189	460	UEP0J102MPD
	2200	12.5 \times 25	0.26	415.8	820	UEP0J222MHD
	3300	16 \times 25	0.28	623.7	1110	UEP0J332MHD
	4700	16 \times 30.5	0.30	888.3	1430	UEP0J472MHD
	6800	18 \times 35.5	0.34	1285.2	1830	UEP0J682MHD
10 (1A)	220	8 \times 11.5	0.24	66	150	UEP1A221MPD
	330	10 \times 16	0.24	99	240	UEP1A331MPD
	470	10 \times 16	0.24	141	290	UEP1A471MPD
	1000	12.5 \times 20	0.24	300	510	UEP1A102MHD
	2200	16 \times 25	0.26	660	910	UEP1A222MHD
	3300	16 \times 30.5	0.28	990	1200	UEP1A332MHD
	4700	18 \times 35.5	0.30	1410	1520	UEP1A472MHD
16 (1C)	100	8 \times 11.5	0.20	48	110	UEP1C101MPD
	220	10 \times 12.5	0.20	105.6	195	UEP1C221MPD
	330	10 \times 16	0.20	158.4	265	UEP1C331MPD
	470	10 \times 20	0.20	225.6	345	UEP1C471MPD
	1000	12.5 \times 25	0.20	480	605	UEP1C102MHD
	2200	16 \times 30.5	0.22	1056	1070	UEP1C222MHD
	3300	18 \times 35.5	0.24	1584	1400	UEP1C332MHD
25 (1E)	100	8 \times 11.5	0.20	75	110	UEP1E101MPD
	220	10 \times 16	0.20	165	215	UEP1E221MPD
	330	12.5 \times 20	0.20	247.5	320	UEP1E331MHD
	470	12.5 \times 20	0.20	352.5	380	UEP1E471MHD
	1000	16 \times 25	0.20	750	670	UEP1E102MHD
	2200	18 \times 35.5	0.22	1650	1140	UEP1E222MHD
	3300	18 \times 35.5	0.22	1650	1140	UEP1E222MHD
35 (1V)	33	8 \times 11.5	0.16	34.65	72	UEP1V330MPD
	47	8 \times 11.5	0.16	49.35	86	UEP1V470MPD
	100	10 \times 16	0.16	105	160	UEP1V101MPD
	220	12.5 \times 20	0.16	231	290	UEP1V221MHD
	330	12.5 \times 20	0.16	346.5	350	UEP1V331MHD
	470	12.5 \times 25	0.16	493.5	465	UEP1V471MHD
	1000	16 \times 30.5	0.16	1050	805	UEP1V102MHD

For cut leads, formed leads or taped parts, please add the appropriate code after the size code (12th digit).
If there is no size code in the part number, please add size code "1" and then add the appropriate code.

UEP

■ Dimensions

Rated Voltage (V) (code)	Rated Capacitance (μ F)	Case Size ϕ D×L(mm)	$\tan \delta$	Leakage Current (μ A) (at 20°C after 5 minutes)	Rated Ripple (mArms) (105°C/120Hz)	Part Number
50 (1H)	22	8×11.5	0.14	33	63	UEP1H220MPD
	33	8×11.5	0.14	49.5	77	UEP1H330MPD
	47	10×12.5	0.14	70.5	105	UEP1H470MPD
	100	10×20	0.14	150	190	UEP1H101MPD
	220	12.5×25	0.14	330	340	UEP1H221MHD
	330	16×25	0.14	495	460	UEP1H331MHD
	470	16×30.5	0.14	705	590	UEP1H471MHD
63 (1J)	22	8×11.5	0.12	41.58	68	UEP1J220MPD
	33	10×12.5	0.12	62.37	98	UEP1J330MPD
	47	10×16	0.12	88.83	130	UEP1J470MPD
	100	12.5×20	0.12	189	225	UEP1J101MHD
	220	16×25	0.12	415.8	405	UEP1J221MHD
	330	16×30.5	0.12	623.7	535	UEP1J331MHD
	470	18×35.5	0.12	888.3	680	UEP1J471MHD
100 (2A)	10	8×11.5	0.10	30	50	UEP2A100MPD
	22	10×16	0.10	66	97	UEP2A220MPD
	33	12.5×20	0.10	99	140	UEP2A330MHD
	47	12.5×20	0.10	141	170	UEP2A470MHD
	100	16×25	0.10	300	300	UEP2A101MHD
	220	18×35.5	0.10	660	510	UEP2A221MHD

For cut leads, formed leads or taped parts, please add the appropriate code after the size code (12th digit).
If there is no size code in the part number, please add size code "1" and then add the appropriate code.

- For formed lead or taped product specifications and minimum order quantity, please refer to the Guidelines for Aluminum Electrolytic Capacitors.






Looking for pricing, stock, or lifecycle information?

Click below to explore more details on WIN SOURCE:

 [View UEP1C101MPD on WIN SOURCE](#)

 [Nichicon Information](#)

Optimize Your Supply Chain with WIN SOURCE Solutions

-  Global Sourcing Solution
-  Obsolete Management
-  Cost Control Management
-  Shortage Management
-  Alternative Solution
-  Excess Inventory Management