



**THE DATASHEET OF
CM315D32768HZFT**



TUNING FORK CRYSTAL UNIT (SMD · Ceramic Package)

RoHS compliant / Pb free

CM315D

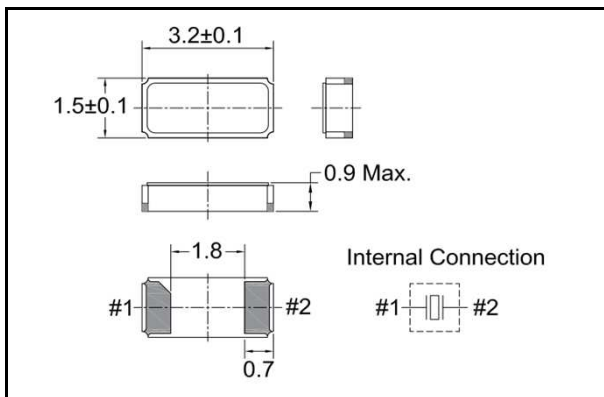
3,000pcs/reel



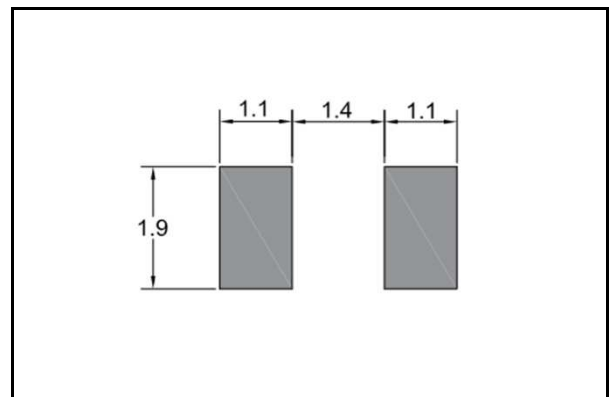
■ FEATURES

- Frequency range : 32.768kHz
- External dimensions (mm)
L : 3.2 x W : 1.5 x H : 0.9
- Applications
Smart Meters / Small mobile devices / Consumer products

■ DIMENSION [mm]



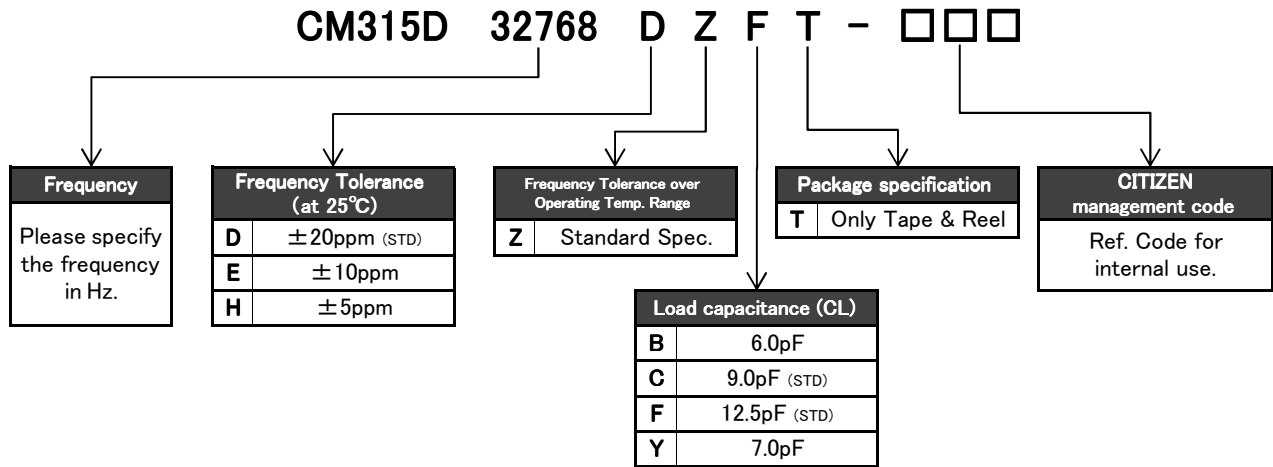
■ SOLDER PAD LAYOUT [mm]



■ STANDARD SPECIFICATIONS

| Item | Model | CM315D | Conditions |
|------------------------------|----------------|---|---------------------------------|
| Nominal Frequency | f_0 | 32.768kHz | |
| Frequency Tolerance | $\Delta f/f_0$ | $\pm 5\text{ppm} / \pm 10\text{ppm} / \pm 20\text{ppm}$ | at 25°C |
| Load capacitance | C_L | 6.0pF / 7.0pF / 9.0pF / 12.5pF | Please specify your requirement |
| Operating Temperature Range | T_{OPR} | -40°C ~ +85°C | |
| Storage Temperature Range | T_{STR} | -55°C ~ +125°C | |
| Turnover Temperature | T_M | 25°C±5°C | |
| Temperature Coefficient | β | -0.034±0.006ppm/°C ² | |
| Motional (series) resistance | R_1 | 70K Ω Max. | at 25°C |
| Level of drive | D_L | 1 μW Max. | |
| Aging (first year) | $\Delta f/f_0$ | ±3ppm Max. | 25°C±3°C |
| Shunt capacitance | C_0 | 0.95pF Typ. | |

■ PART NUMBERING SYSTEM



*Please contact us for specifications available.

■ Part Marking [standard]



y : The last digit of production year

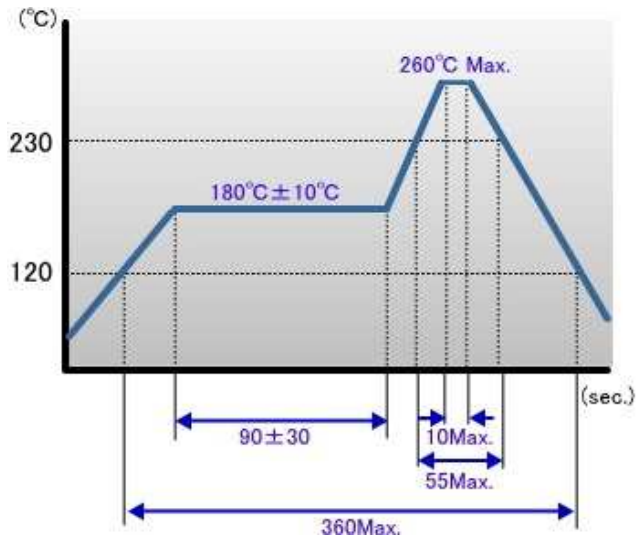
m : Production month (See Table.1)

: Production Lot No.

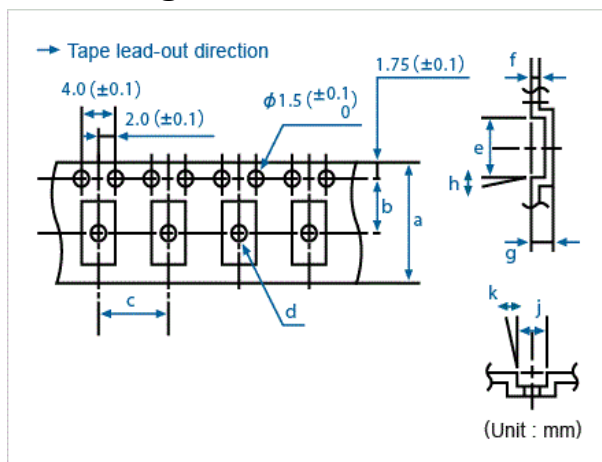
Table.1

| Month | Jan | Feb | ... | Sep | Oct | Nov | Dec |
|-------|-----|-----|-----|-----|-----|-----|-----|
| Code | 1 | 2 | ... | 9 | X | Y | Z |

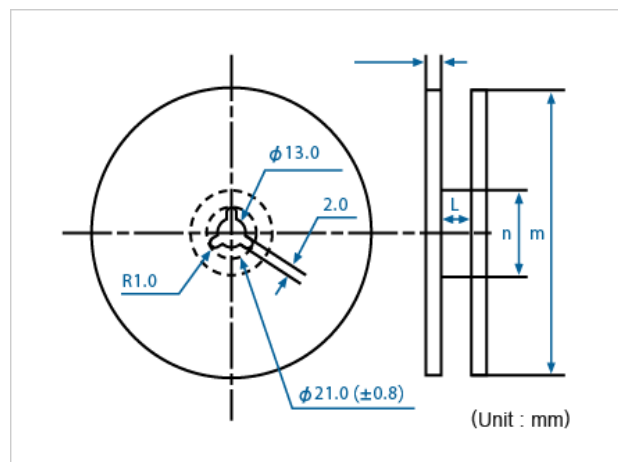
■ Reflow profile



■ Packing



Conforming to JIS C 0806 TB1208NEIAJ and RC-1009B TE1208N



Conforming to JIS C 0806 R12R and EIAJ RC-1009B R15

| Q'ty/reel | a | b | c | d (φ) | e | f | g | h | j | k | l | m (φ) | n (φ) |
|-----------|------|-----|-----|-------|-----|-----|-----|----|-----|----|------|-------|-------|
| 3,000 | 12.0 | 5.5 | 4.0 | 1.0 | 3.6 | 0.3 | 1.0 | 5° | 1.9 | 5° | 13.0 | 180 | 60 |

Product specifications are subject to change without notice.

Rev.2

Looking for pricing, stock, or lifecycle information?

Click below to explore more details on WIN SOURCE:

- ⊖ [View CM315D32768HZFT on WIN SOURCE](#)
- ⊖ [Citizen Finedevice Co Ltd Information](#)

Optimize Your Supply Chain with WIN SOURCE Solutions

- ✓ Global Sourcing Solution
- ✓ Obsolete Management
- ✓ Cost Control Management
- ✓ Shortage Management
- ✓ Alternative Solution
- ✓ Excess Inventory Management