



**THE DATASHEET OF  
ZF5S-20-02-T-WT-TR**



DO NOT SCALE FROM THIS PRINT

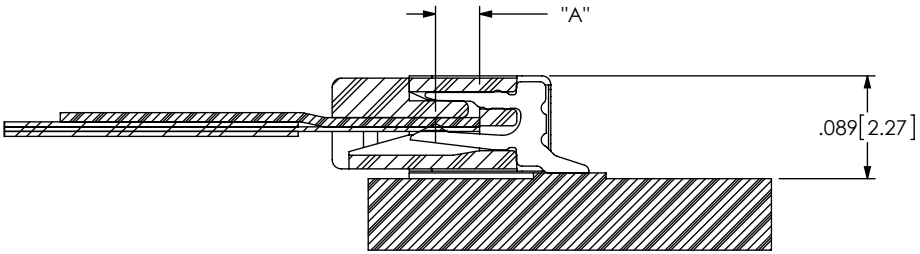


FIG 1  
-01 LEAD STYLE

TABLE 1		
ZF5S	WIPE "A"	
	FULLY MATED	MIN
-01	.038 [0.97]	.015 [0.38]

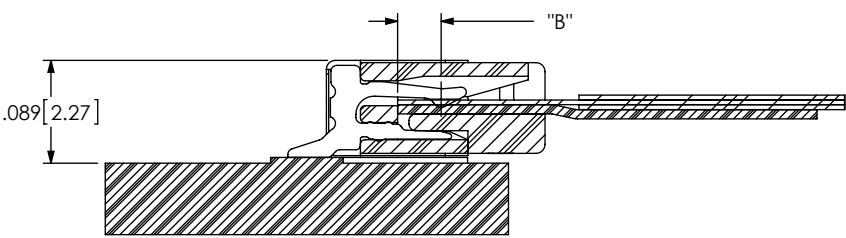


FIG 2  
-02 LEAD STYLE

TABLE 2		
ZF5S	WIPE "B"	
	FULLY MATED	MIN
-02	.038 [0.97]	.015 [0.38]

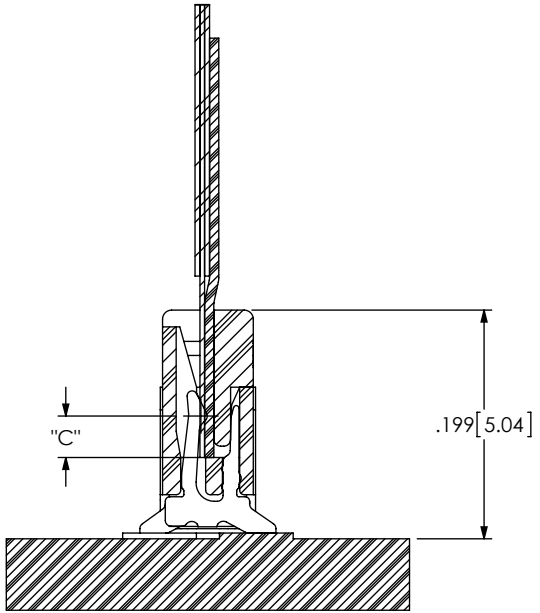


FIG 3  
-03 LEAD STYLE

TABLE 3		
ZF5S	WIPE "C"	
	FULLY MATED	MIN
-03	.036 [0.91]	.015 [0.38]

NOTES:

1. DRAWING ILLUSTRATES EFFECTIVE MATING RANGE OF CONNECTORS IN VARIOUS CONFIGURATIONS
2. ALTHOUGH MAX DIMENSIONS ARE LISTED SAMTEC RECOMMENDS FULLY MATING COMPONENTS.
3. ALL DIMENSIONS BASED ON NOMINAL VALUES FOR SAMTEC RECOMMENDED PCB LAYOUTS.

**PROPRIETARY NOTE**  
THIS DOCUMENT CONTAINS INFORMATION CONFIDENTIAL AND PROPRIETARY TO SAMTEC, INC. AND SHALL NOT BE REPRODUCED OR TRANSFERRED TO OTHER DOCUMENTS OR DISCLOSED TO OTHERS OR USED FOR ANY PURPOSE OTHER THAN THAT WHICH IT WAS OBTAINED WITHOUT THE EXPRESSED WRITTEN CONSENT OF SAMTEC, INC.



520 PARK EAST BLVD., NEW ALBANY, IN 47150  
PHONE: 812-944-6733 FAX: 812-948-5047  
e-Mail info@SAMTEC.com code 55322

"D"  
(SEE NOTE 3)

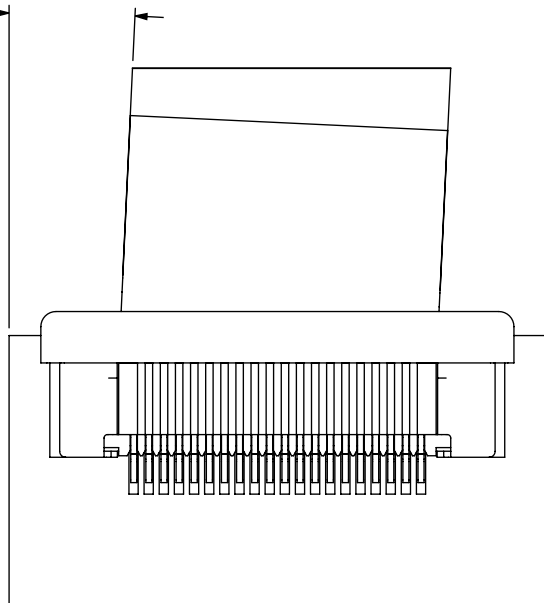


FIG 4  
-01 LEAD STYLE

"D"  
(SEE NOTE 3)

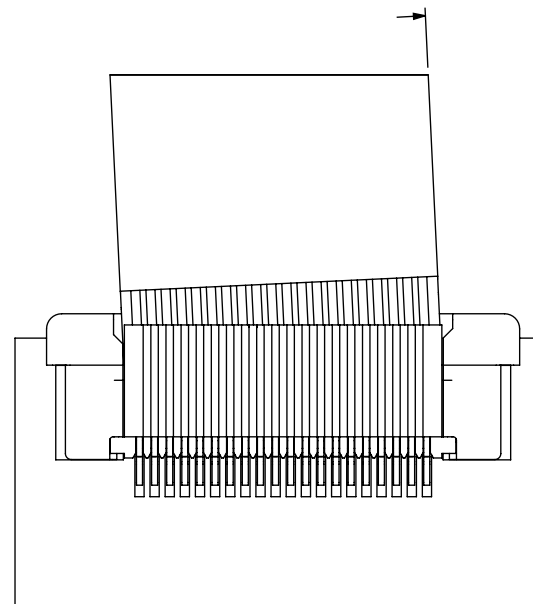


FIG 5  
-02 LEAD STYLE

"D"  
(SEE NOTE 3)

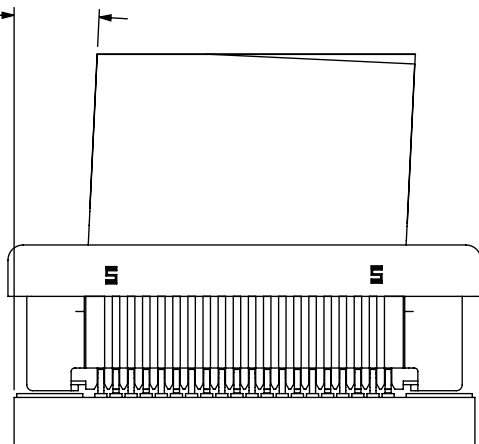


FIG 6  
-03 LEAD STYLE

TABLE 4	
	Maximum Allowable Angle at Nominal Conditions ("D")
FIG 4) -01 LEAD STYLE	2°
FIG 5) -02 LEAD STYLE	2°
FIG 6) -03 LEAD STYLE	2°

PROPRIETARY NOTE



THIS DOCUMENT CONTAINS INFORMATION CONFIDENTIAL AND PROPRIETARY TO SAMTEC, INC. AND SHALL NOT BE REPRODUCED OR TRANSFERRED TO OTHER DOCUMENTS OR DISCLOSED TO OTHERS OR USED FOR ANY PURPOSE OTHER THAN THAT WHICH IT WAS OBTAINED WITHOUT THE EXPRESSED WRITTEN CONSENT OF SAMTEC, INC.



520 PARK EAST BLVD, NEW ALBANY, IN 47150  
PHONE: 812-944-6733 FAX: 812-948-5047  
e-Mail info@SAMTEC.com code 55322

## Looking for pricing, stock, or lifecycle information?

Click below to explore more details on WIN SOURCE:

-  [View ZF5S-20-02-T-WT-TR on WIN SOURCE](#)
-  [Samtec Inc. Information](#)

## Optimize Your Supply Chain with WIN SOURCE Solutions

-  Global Sourcing Solution
-  Obsolete Management
-  Cost Control Management
-  Shortage Management
-  Alternative Solution
-  Excess Inventory Management