



**THE DATASHEET OF
PXP4010/10S/6570**





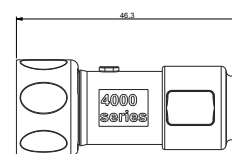
- Sealed to IP68 when mated
- IP68 rating tested at 1.054kg/sq cm (15lb/sq in) 10m depth for 2 weeks
- 2, 3, 4, 6, 8, 10 & 12 Contact configuration
- Power ratings up to 13A, 600V
- Cable range from 3 to 7mm
- Diameter over coupling ring 19.8mm
- Flex, Inline, Rear Panel and PCB mounting body styles
- Colour coded O-rings & washers for easy identification purposes
- Plug and Socket versions in all body styles
- Flame Retardant moulding material - Polybutylene Terephthalate/Polycarbonate (PBT/PC) UL94-V0
- Contacts supplied separately (except PCB versions)
- Sealing caps available to maintain IP68 rating
- Crimp and solder contacts
- cULus and VDE approvals
- EN60068-2-64 Vibration Resistance

Flex Cable Connector



PXP4010

- Mates with Inline or Panel mounting versions PXP4011, PXP4013
- Plug or socket
- 2, 3, 4, 6, 8, 10 & 12 Contacts
- ¼ turn locking ring
- Contacts supplied separately

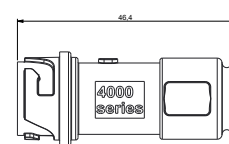


Inline Cable Connector



PXP4011

- Mates with Flex Cable connector PXP4010
- Plug or socket
- 2, 3, 4, 6, 8, 10 & 12 Contacts
- For Inline cable connection
- Contacts supplied separately

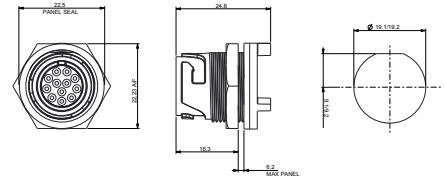


Rear Panel Mounting Connector
(locking nut included)



PXP4013

- Mates with Flex Cable connector PXP4010
- Plug or socket
- Single hole fixing
- Contacts supplied separately
- 2, 3, 4, 6, 8, 10 & 12 Contacts

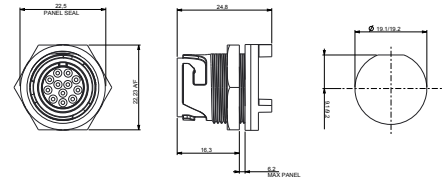


PCB Mounting Connector
(locking nut included)



PXP4013/XXX/PC

- Mates with Flex Cable connector PXP4010
- Plug or socket
- PCB Rear Panel mounting
- Straight PC spills
- Supplied with pre-loaded gold plated contacts
- 2, 3, 4, 6, 8, 10 & 12 Contacts



Sealing Caps



PXP4081 PXP4082 PXP4083

- Maintains IP68 sealed rating of unmated connectors

Part no.	Description
PXP4081	Sealing cap for use with PXP4010 & PXP4040
PXP4082	Sealing cap for use with PXP4011
PXP4083	Sealing cap for use with PXP4013 & PXP4043

Gland Packs



Part no.	Description
PXP4088/0305	Pack of 4 pairs cable glands and collets to suit cables from 3.0 to 5.0mm diameter.
PXP4088/0507	Pack of 4 pairs cable glands and collets to suit cables from 5.0 to 7.0mm diameter.

O-ring & washer pack



Part no.	Description
PXP4089/YL	Yellow coloured O-ring and washer pack
PXP4089/BL	Blue coloured O-ring and washer pack
PXP4089/RD	Red coloured O-ring and washer pack
PXP4089/WH	White coloured O-ring and washer pack
PXP4089/GN	Green coloured O-ring and washer pack

Crimp Contacts

Contacts	Current Rating	Plug Part No.	Socket Part No.	Pack Qty	Cable Acceptance (dia)
2, 3	13A /*10A	SA3350	SA3349	10	16 - 18 AWG
4, 6, 8	8A /*5A	SA3348	SA3347	10	18 - 20 AWG
10, 12	3A /*3A	SA3180	SA3179	10	22 - 24 AWG

Solder Contacts

Contacts	Current Rating	Plug Part No.	Socket Part No.	Pack Qty	Cable Acceptance (dia)
2,3	13A /*10A	SA3350/1	SA3349/1	10	16 - 18 AWG
4, 6, 8	8A /*5A	SA3348/1	SA3347/1	10	18 - 20 AWG
10, 12	3A /*3A	SA3180/1	SA3179/1	10	22 - 24 AWG

Insertion / Extraction

	Contacts	Contact Rating	Colour	Part No
Insertion/Extraction Tool	2, 3	13A /*10A	Blue	13027/2
Insertion/Extraction Tool	4, 6, 8	8A /*5A	Red	13027/1
Insertion/Extraction Tool	10, 12	3A /*3A	Green	13027

Crimp tools

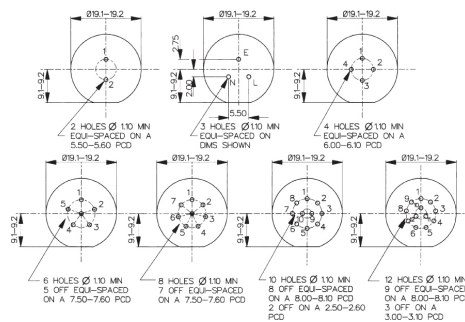
	Contacts	Contact Rating	Colour	Part No
Positioner	2, 3	13A /*10A	Orange	14025/1618
Positioner	4, 6, 8	8A /*5A	Grey	14025/1820
Positioner	10, 12	3A /*3A	Yellow	14025/2224
8 Indent Crimp Tool for use with positioners				14025

*Current rating for CSA standards

PXP4013 PCB Contact Layout

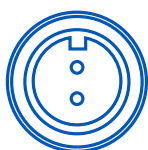
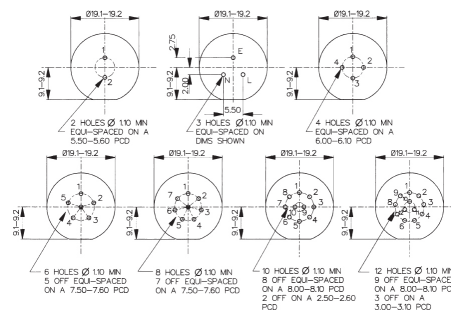
Sockets

Contact numbers viewed from rear of panel

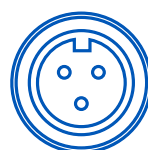


Plugs

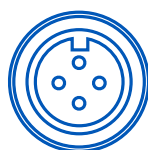
Contact numbers viewed from rear of panel



2 Contacts
(13 Amp)



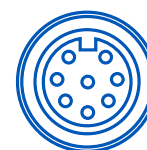
3 Contacts
(13 Amp)



4 Contacts
(8 Amp)



6 Contacts
(8 Amp)



8 Contacts
(8 Amp)



10 Contacts
(3 Amp)



12 Contacts
(3 Amp)



Electrical:

No. Contacts:	2 & 3	4, 6 & 8	10 & 12
Current Rating UL / VDE:	13A	8A	3A
Current Rating CSA:	10A	5A	3A
Voltage Rating:	600V AC/DC	320V AC/DC	160V AC/DC
Contact Resistance:	<5mΩ		
Insulation Resistance:	>10 ⁶ MΩ (@ 500V DC)		
AC Breakdown voltage:	2.5kV		
Cycles:	>1000		
Operating Temperature:			
Flex and panel types	-40°C to +120°C		

Approvals:

- UL (Underwriters Laboratory) (including cUL)
- VDE (Verband der Elektrotechnik)

Material:

Flex and panel types:	
Body Mouldings:	Polybutylene Terephthalate/ Polycarbonate (PBT/PC)
Flammability Rating:	UL94V-0
UV Resistance:	To EN 50021:1999
Contacts:	Copper alloy, Gold plated
O Rings:	Silicone
Panel Sealing O Ring:	Silicone
RoHS	Compliant

Mechanical:

Sealing:	IP68 to En60529:1992+A2:2013 (10m depth for 2 weeks)
Vibration:	BS EN 60068-2-64:2008 Test Fh BS EN 60068-2-27:2009 Test Ea
Cable Acceptance:	3.0 - 7.0mm
Contact Accommodation:	2 & 3 Contacts, 16 - 18 AWG 4, 6 & 8 Contacts, *18 - 20 AWG 10 & 12 Contacts, 22 - 24 AWG *Solid Core Wire Only
Termination:	Crimp, solder and PCB
Insertion/Withdrawal Force:	
No. Contacts:	2 & 3 4, 6, 8 10 & 12
Insertion Force (typ):	25N 28N 32N
Withdrawal Force (typ):	12N 15N 18N

Panel mount (PXP4013)	
Front fixing nut:	1.0-1.1Nm (9lbf.in.)
Cable Retention force:	60N 80N
3.0mm dia	
4.0 to 7.0mm dia	
Panel thread PXP4013:	18.97x26TPI Whitworth form to BS84 med fit

Dimensions:

Overall dimensions of connectors when mated together	
Flex + Inline	80mm
Dia. over coupling ring	19.7mm

PXP40XX	/	XX	X	/	XXXX
Body Styles PXP4010 = Flex PXP4011 = Inline PXP4013 = Rear panel/PCB mounting		Number of Contacts 02 03 04 06 08 10 12	Contact Type P = Plug, S = Socket		For PXP4010 and PXP4011 cable connectors - Cable Entry Size: 3035 = 3.0 - 3.5mm (Light Grey) 3540 = 3.5 - 4.0mm (Grey) 4045 = 4.0 - 4.5mm (Green) 4550 = 4.5 - 5.0mm (Red) 5055 = 5.0 - 5.5mm (Yellow) 5560 = 5.5 - 6.0mm (Blue) 6065 = 6.0 - 6.5mm (White) 6570 = 6.5 - 7.0mm (Black) Cable gland and collet supplied in colour coded pairs. For PXP4013 PCB/Rear Panel Mount: PC = Pre-loaded PC Plugs Blank = no Plugs supplied
Examples: PXP4010/03S/4045 = Flex cable connector, 3 socket contacts with gland and collet for cables between 4.0 and 4.5mm diameter (supplied less contacts). PXP4013/08P = Rear panel mounting connector, for 8 Plug contacts (supplied less contacts). PXP4013/03P/PC = Rear panel/PCB connector, 3 Plug contacts, PCB mounting (supplied with contacts loaded).					

Looking for pricing, stock, or lifecycle information?

Click below to explore more details on WIN SOURCE:

[View PXP4010/10S/6570 on WIN SOURCE](#)

[Bulgin Information](#)

Optimize Your Supply Chain with WIN SOURCE Solutions

- ✓ Global Sourcing Solution
- ✓ Obsolete Management
- ✓ Cost Control Management
- ✓ Shortage Management
- ✓ Alternative Solution
- ✓ Excess Inventory Management