



**THE DATASHEET OF
A8733EEJTR-T**





[Home](#) / [Products](#) / [Part Numbers](#) / A8733

A8733 Mobile Phone Xenon Photoflash Driver with IGBT Gate Driver

Data sheet

- [Contact Allegro Marketing](#)

Features

- Primary side sense technology
- User-adjustable current limit from 0.6 to 1.8 A
- System Enable input
- 1.1 V logic capability



Applications

- Cell phone camera modules

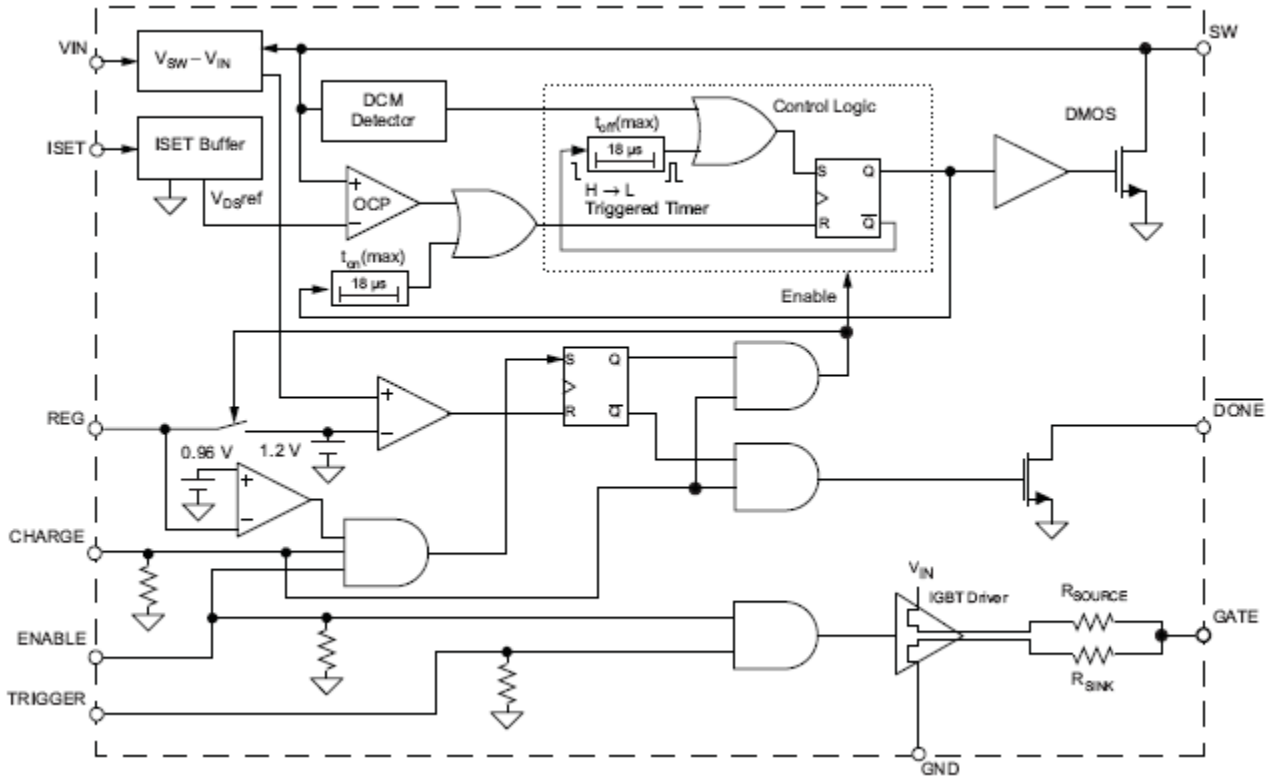
Description

The Allegro® A8733 Xenon photoflash charger IC is designed to meet the needs of ultra-low power, small form factor cameras, particularly camera-phones.

The charge time is adjustable by setting the charge current limit from 0.6 to 1.8 A maximum. By using primary-side voltage sensing, the need for a secondary-side resistive voltage divider is eliminated. This has the additional benefit of reducing leakage currents on the secondary side of the transformer. To extend battery life, the A8733 features very low supply current draw—typically 0.01 μ A in shutdown mode.

The A8733 has a system enable pin to prevent accident activation of CHARGE or TRIGGER signals. The charge and trigger voltage logic thresholds are set at 1.1 V_{HI}(min) to support applications implementing low voltage control logic. The A8733 is available in a 10-contact 3 mm \times 3 mm DFN/MLP package with a 0.75 nominal overall package height, and an exposed pad for enhanced thermal performance.

Functional Block Diagram



Complete Part Numbers

Part Number	Package Type	RoHS Compliant	Part Composition/ RoHS Data	Temperature	Comments	Samples	Distributor Stock
A8733EEJTR-T	10-lead MLP	Yes	view data	-40 °C to 85 °C	<i>new</i>	Contact Local Sales Representative or check distributor stock	<input type="button" value="Check Stock"/>

Allegro's products are not to be used in life support devices or systems, if a failure of an Allegro product can reasonably be expected to cause the failure of that life support device or system, or to affect the safety or effectiveness of that device or system.

Copyright © 2009 Allegro MicroSystems, Inc. • 115 Northeast Cutoff, Worcester, MA 01606 USA • Phone: 1.508.853.5000 • Fax: 1.508.853.7895

Looking for pricing, stock, or lifecycle information?

Click below to explore more details on WIN SOURCE:

- ⊖ [View A8733EEJTR-T on WIN SOURCE](#)
- ⊖ [Allegro MicroSystems, LLC Information](#)

Optimize Your Supply Chain with WIN SOURCE Solutions

- ✓ Global Sourcing Solution
- ✓ Obsolete Management
- ✓ Cost Control Management
- ✓ Shortage Management
- ✓ Alternative Solution
- ✓ Excess Inventory Management