



**THE DATASHEET OF  
A1145LLHLT**



---

## *Ultrasensitive Two-Wire Chopper-Stabilized Unipolar Hall Effect Switches*

---

### **Discontinued Product**

This device is no longer in production. The device should not be purchased for new design applications. Samples are no longer available.

Date of status change: October 31, 2011

- for the A1145EUA-T use the [A1155LUA-T](#)
- for the A1146EUA-T and the A1146LUA-T use the [A1156LUA-T](#)
- for the A1145ELHLT-T use the [A1155LLHLX-T](#)
- for the A1146ELHLT-T and the A1146LLHLT-T use the [A1156LLHLX-T](#)

---

NOTE: For detailed information on purchasing options, contact your local Allegro field applications engineer or sales representative.

---

*Allegro MicroSystems, Inc. reserves the right to make, from time to time, revisions to the anticipated product life cycle plan for a product to accommodate changes in production capabilities, alternative product availabilities, or market demand. The information included herein is believed to be accurate and reliable. However, Allegro MicroSystems, Inc. assumes no responsibility for its use; nor for any infringements of patents or other rights of third parties which may result from its use.*

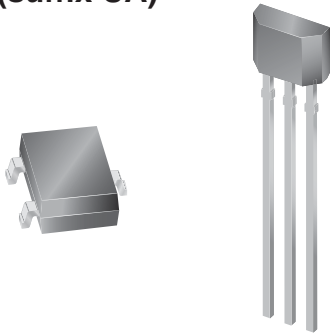
---

# Ultrasensitive Two-Wire Chopper-Stabilized Unipolar Hall Effect Switches

## Features and Benefits

- Chopper stabilization
  - Low switchpoint drift over operating temperature range
  - Low sensitivity to stress
- Factory programmed at end-of-line for optimized switchpoints
- On-chip protection
  - Supply transient protection
  - Reverse-battery protection
  - On-board voltage regulator
  - 3.5 to 24 V operation

**Packages: 3 pin SOT23W (suffix LH), and 3 pin SIP (suffix UA)**



Not to scale

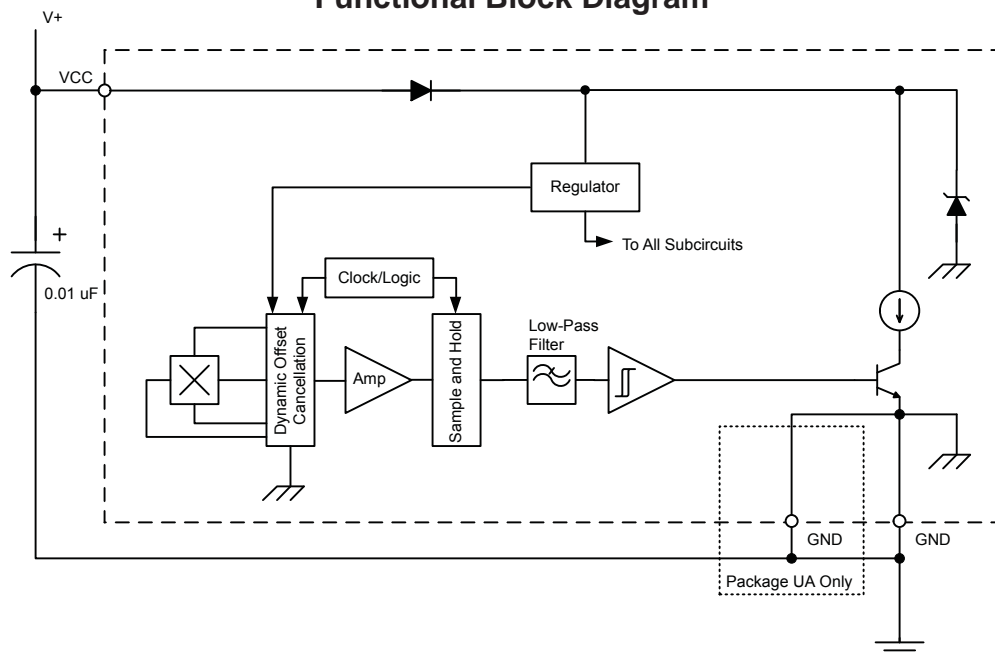
## Description

The A1145 and A1146 devices are two-wire, unipolar, Hall effect switches that are factory-programmed at end-of-line to optimize ultrasensitive magnetic switchpoint accuracy. These devices use a high frequency chopper-stabilization technique, produced using the Allegro advanced BiCMOS wafer fabrication process, to achieve magnetic stability and to eliminate offset inherent in single-element devices exposed to harsh application environments.

Commonly found in a number of automotive applications, these switches are utilized in sensing seat track position, seat belt buckle presence, hood/trunk latching, and shift selector position. Two-wire unipolar switches, such as the A1145 and A1146, are particularly advantageous in price-sensitive applications because they require one less wire for operation than do switches with the more traditional open-collector output. Additionally, the system designer inherently gains diagnostics because there is always output current flowing, which should be in either of two narrow ranges. Any current level not within these ranges indicates a fault condition. These devices also

*Continued on the next page...*

## Functional Block Diagram



# A1145 and A1146

# Ultrasensitive Two-Wire Chopper-Stabilized Unipolar Hall Effect Switches

## Description (continued)

feature on-chip transient protection and a Zener clamp to protect against overvoltage conditions on the supply line.

The output currents of the A1146 switches HIGH in the presence of a south (+) polarity magnetic field of sufficient strength, and switches LOW otherwise, as in the presence of a weak field or a north (–) polarity field. The A1145 has an opposite output: the currents switch LOW in the presence of a south-polarity magnetic

field of sufficient strength, and switch HIGH otherwise.

Both versions are offered in two package styles. The LH is a SOT-23W, miniature low-profile package for surface-mount applications. The UA is a three-lead ultramini SIP for through-hole mounting. Each package is available in a lead (Pb) free version (suffix, –T) with 100% matte tin plated leadframe. Field-programmable versions also available: A1185 and A1186.



## Selection Guide

Part Number	Packing <sup>1</sup>	Package	Operating Ambient Temperature, T <sub>A</sub> (°C)	Output Level in South (+) Field <sup>2</sup>
A1145ELHLT-T <sup>3</sup>	Tape and Reel, 3000 pieces/reel	Surface Mount	–40 to 85	Low
A1145EUA-T <sup>4</sup>	Bulk Bag, 500 pieces/bag	Through Hole		
A1146ELHLT-T <sup>3</sup>	Tape and Reel, 3000 pieces/reel	Surface Mount	–40 to 85	High
A1146EUA-T <sup>4</sup>	Bulk Bag, 500 pieces/bag	Through Hole		
A1146LLHLT-T <sup>3</sup>	Tape and Reel, 3000 pieces/reel	Surface Mount	–40 to 150	
A1146LUA-T <sup>4</sup>	Bulk Bag, 500 pieces/bag	Through Hole		

<sup>1</sup>Contact Allegro for additional packing options.

<sup>2</sup>South (+) magnetic fields must be of sufficient strength.

<sup>3</sup>This variant is in production, however, it has been deemed Pre-End of Life. The product is approaching end of life. Within a minimum of 6 months, the device will enter its final, Last Time Buy, order phase. Status change: January 31, 2011. Suggested replacements: for the A1145ELHLT-T use the A1155LLHLX-T, for the A1146ELHLT-T and the A1146LLHLT-T use the A1156LLHLX-T.

<sup>4</sup>Variant is in production but has been determined to be NOT FOR NEW DESIGN. This classification indicates that sale of the variant is currently restricted to existing customer applications. The variant should not be purchased for new design applications because obsolescence in the near future is probable. Samples are no longer available. Status change: January 31, 2011.

## Absolute Maximum Ratings

Characteristic	Symbol	Notes	Rating	Units
Supply Voltage	V <sub>CC</sub>		28	V
Reverse Supply Voltage	V <sub>RCC</sub>		–18	V
Magnetic Flux Density	B		Unlimited	G
Operating Ambient Temperature	T <sub>A</sub>	Range E	–40 to 85	°C
		Range L	–40 to 150	°C
Maximum Junction Temperature	T <sub>J(max)</sub>		165	°C
Storage Temperature	T <sub>stg</sub>		–65 to 170	°C

**ELECTRICAL CHARACTERISTICS** over the operating voltage and temperature ranges, unless otherwise specified

Characteristic	Symbol	Test Conditions	Min.	Typ.	Max.	Units
Supply Voltage <sup>1</sup>	$V_{CC}$		3.5	–	24	V
Supply Current <sup>2</sup>	$I_{CCL}$	$B > B_{OP}$ for A1145; $B < B_{RP}$ for A1146	5	–	6.9	mA
	$I_{CCH}$	$B > B_{OP}$ for A1146; $B < B_{RP}$ for A1145	12	–	17	mA
Reverse Supply Current	$I_{RCC}$	$V_{RCC} = -18$ V	–	–	-1.6	mA
Supply Zener Clamp Voltage	$V_{ZSUPPLY}$	$I_{CC} = I_{CCL(max)} + 3$ mA; $T_A = 25^\circ\text{C}$	28	–	40	V
Supply Zener Clamp Current <sup>3</sup>	$I_{ZSUPPLY}$	$V_{ZSUPPLY} = 28$ V	–	–	9.9	mA
Output Slew Rate <sup>4</sup>	di/dt	Capacitance of the oscilloscope performing the measurement = 20 pF	–	36	–	mA/ $\mu$ s
Chopping Frequency	$f_C$		–	200	–	kHz
Power-On Time <sup>5</sup>	$t_{on}$	$C_{BYPASS} = 0.01$ $\mu$ F	–	–	25	$\mu$ s
Power-On State <sup>6,7</sup>	POS	$t < t_{on}$ ; $V_{CC}$ slew rate $> 25$ mV/ $\mu$ s	–	HIGH	–	–

<sup>1</sup> $V_{CC}$  represents the generated voltage between the VCC pin and the GND pin.

<sup>2</sup>Relative values of B use the algebraic convention, where positive values indicate south magnetic polarity, and negative values indicate north magnetic polarity; therefore greater B values indicate a stronger south polarity field (or a weaker north polarity field, if present).

<sup>3</sup> $I_{ZSUPPLY(max)} = I_{CCL(max)} + 3$  mA.

<sup>4</sup>Measured without bypass capacitor between VCC and GND. Use of a bypass capacitor results in slower current change.

<sup>5</sup>Measured with and without bypass capacitor of 0.01  $\mu$ F. Adding a larger bypass capacitor causes longer Power-On Time.

<sup>6</sup>POS is defined as true only with a  $V_{CC}$  slew rate of 25 mV/ $\mu$ s or greater. Operation with a  $V_{CC}$  slew rate less than 25 mV/ $\mu$ s can permanently harm device performance.

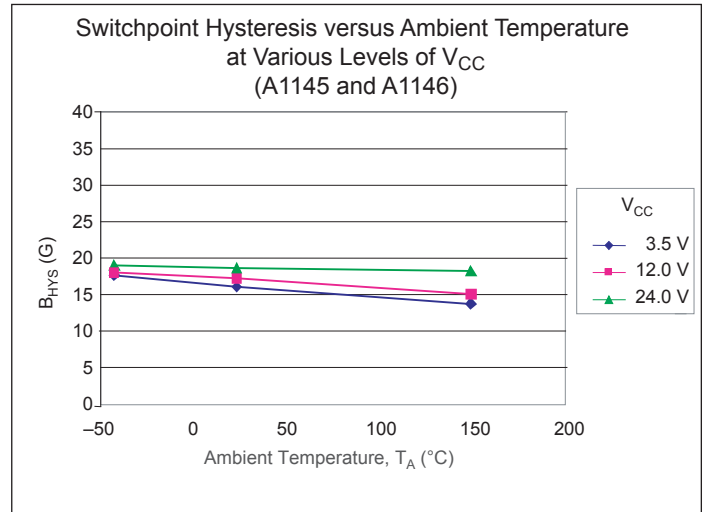
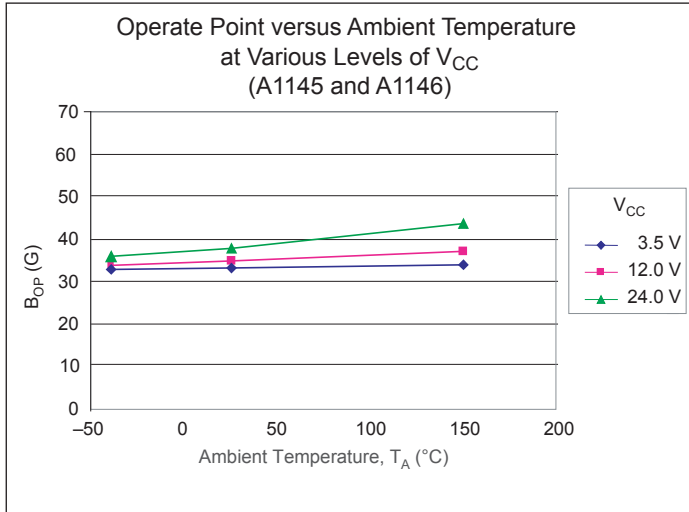
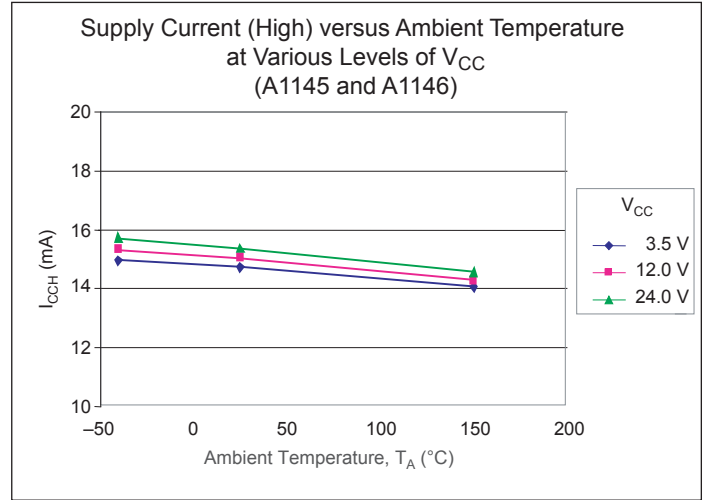
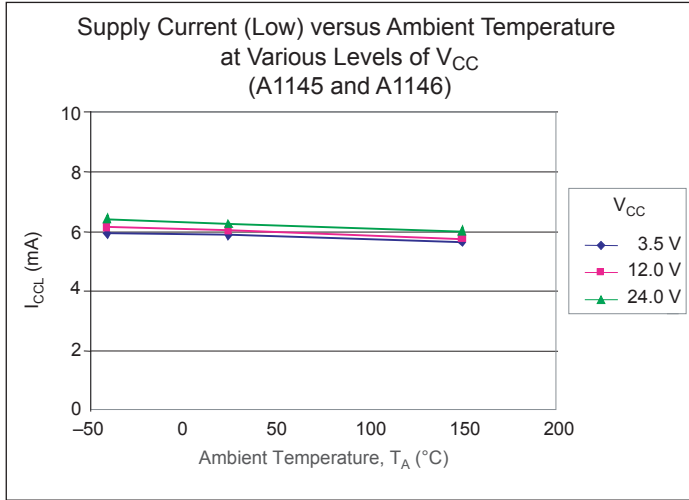
<sup>7</sup>POS is undefined for  $t > t_{on}$  or  $B_{RP} < B < B_{OP}$ .

**MAGNETIC CHARACTERISTICS** over the operating voltage and temperature ranges, unless otherwise specified

Characteristic	Symbol	Test Conditions	Min.	Typ.*	Max.	Units
Operate Point	$B_{OP}$	A1145   $I_{CC} = I_{CCL}$	20	37	60	G
		A1146   $I_{CC} = I_{CCH}$				
Release Point	$B_{RP}$	A1145   $I_{CC} = I_{CCH}$	10	22	55	G
		A1146   $I_{CC} = I_{CCL}$				
Hysteresis	$B_{HYS}$	$B_{HYS} = B_{OP} - B_{RP}$	5	15	30	G

\*Typical data are for initial design estimations only, and assume optimum manufacturing and application conditions, such as  $T_A = 25^\circ\text{C}$  and  $V_{CC} = 12$  V. Performance may vary for individual units, within the specified maximum and minimum limits.

Characteristic Data

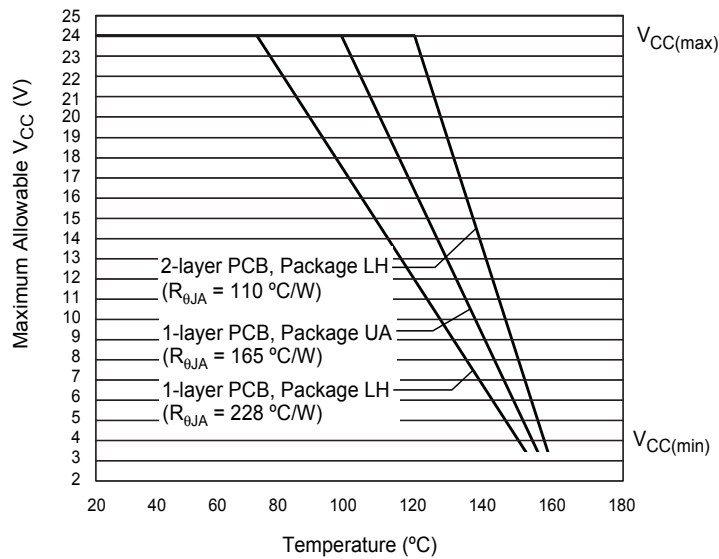


**THERMAL CHARACTERISTICS** may require derating at maximum conditions, see application information

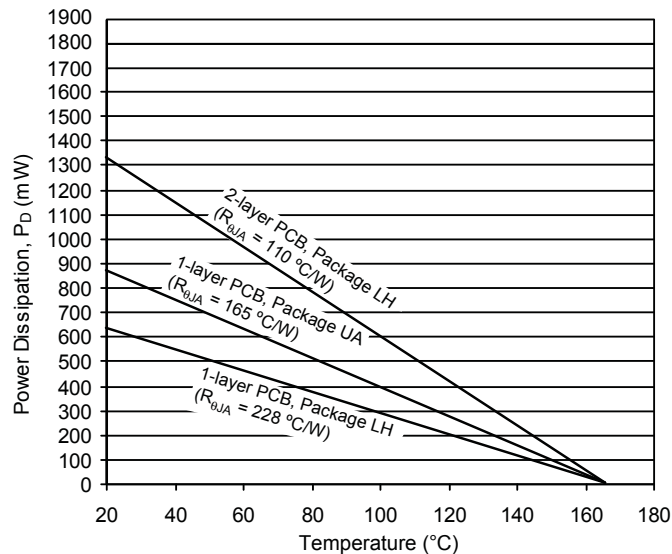
Characteristic	Symbol	Test Conditions*	Value	Units
Package Thermal Resistance	$R_{\theta JA}$	Package LH, 1-layer PCB with copper limited to solder pads	228	$^{\circ}\text{C}/\text{W}$
		Package LH, 2-layer PCB with 0.463 in. <sup>2</sup> of copper area each side connected by thermal vias	110	$^{\circ}\text{C}/\text{W}$
		Package UA, 1-layer PCB with copper limited to solder pads	165	$^{\circ}\text{C}/\text{W}$

\*Additional thermal information available on Allegro Web site.

**Power Derating Curve**



**Power Dissipation versus Ambient Temperature**



Functional Description

**Operation**

The output,  $I_{CC}$ , of the A1145 device switches low after the magnetic field at the Hall element exceeds the operate point threshold,  $B_{OP}$ . When the magnetic field is reduced to below the release point threshold,  $B_{RP}$ , the device output goes high. The differences between the magnetic operate and release point is called the hysteresis of the device,  $B_{HYS}$ . This built-in hysteresis

allows clean switching of the output even in the presence of external mechanical vibration and electrical noise. The A1146 device switches with opposite polarity for similar  $B_{OP}$  and  $B_{RP}$  values, in comparison to the A1145 (see figure 1).

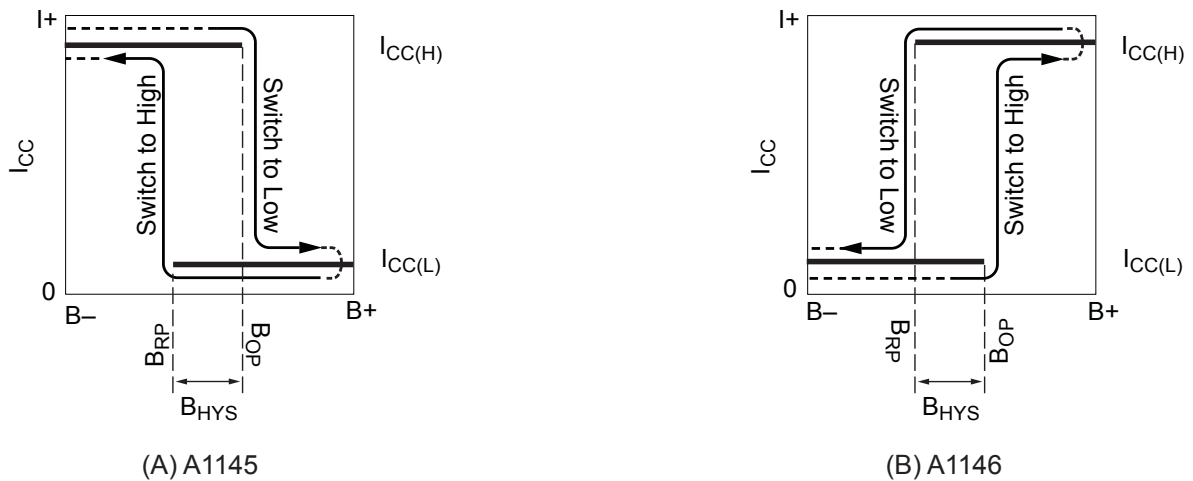


Figure 1. Alternative switching behaviors are available in the A114x device family. On the horizontal axis, the B+ direction indicates increasing south polarity magnetic field strength, and the B- direction indicates decreasing south polarity field strength (including the case of increasing north polarity).

**Chopper Stabilization Technique**

When using Hall-effect technology, a limiting factor for switchpoint accuracy is the small signal voltage developed across the Hall element. This voltage is disproportionately small relative to the offset that can be produced at the output of the Hall element. This makes it difficult to process the signal while maintaining an accurate, reliable output over the specified operating temperature and voltage ranges.

Chopper stabilization is a unique approach used to minimize Hall offset on the chip. The Allegro technique, namely Dynamic Quadrature Offset Cancellation, removes key sources of the output drift induced by thermal and mechanical stresses. This offset reduction technique is based on a signal modulation-demodulation process. The undesired offset signal is separated from the magnetic field-induced signal in the frequency domain, through modulation. The subsequent demodulation acts as a modulation process for the offset, causing the magnetic field-induced signal to recover its original spectrum at baseband, while the DC offset becomes a high-frequency signal. The magnetic-sourced signal then can pass through a low-pass filter, while the modulated DC offset is suppressed. This configuration is illustrated in figure 2.

The chopper stabilization technique uses a 200 kHz high frequency clock. For demodulation process, a sample and hold technique is used, where the sampling is performed at twice the chopper frequency (400 kHz). This high-frequency operation allows a greater sampling rate, which results in higher accuracy and faster signal-processing capability. This approach desensitizes the chip to the effects of thermal and mechanical stresses, and produces devices that have extremely stable quiescent Hall output voltages and precise recoverability after temperature cycling. This technique is made possible through the use of a BiCMOS process, which allows the use of low-offset, low-noise amplifiers in combination with high-density logic integration and sample-and-hold circuits.

The repeatability of magnetic field-induced switching is affected slightly by a chopper technique. However, the Allegro high-frequency chopping approach minimizes the affect of jitter and makes it imperceptible in most applications. Applications that are more likely to be sensitive to such degradation are those requiring precise sensing of alternating magnetic fields; for example, speed sensing of ring-magnet targets. For such applications, Allegro recommends its digital device families with lower sensitivity to jitter. For more information on those devices, contact your Allegro sales representative.

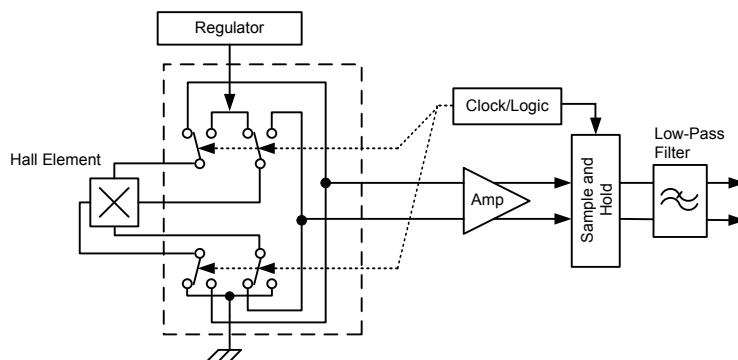


Figure 2. Chopper stabilization circuit (Dynamic Quadrature Offset Cancellation)

## Application Information

### Typical Application Circuit

The A114x family of devices must be protected by an external bypass capacitor,  $C_{BYP}$ , connected between the supply,  $V_{CC}$ , and the ground,  $GND$ , of the device.  $C_{BYP}$  reduces both external noise and the noise generated by the chopper-stabilization function. As shown in figure 3, a  $0.01 \mu F$  capacitor is typical.

Installation of  $C_{BYP}$  must ensure that the traces that connect it to the A114x pins are no greater than 5 mm in length.

All high-frequency interferences conducted along the supply lines are passed directly to the load through  $C_{BYP}$ , and it serves only to protect the A114x internal circuitry. As a result, the load ECU (electronic control unit) must have sufficient protection, other than  $C_{BYP}$ , installed in parallel with the A114x.

A series resistor on the supply side,  $R_S$  (not shown), in combination with  $C_{BYP}$ , creates a filter for EMI pulses.

When determining the minimum  $V_{CC}$  requirement of the A114x device, the voltage drops across  $R_S$  and the ECU sense resistor,  $R_{SENSE}$ , must be taken into consideration. The typical value for  $R_{SENSE}$  is approximately  $100 \Omega$ .

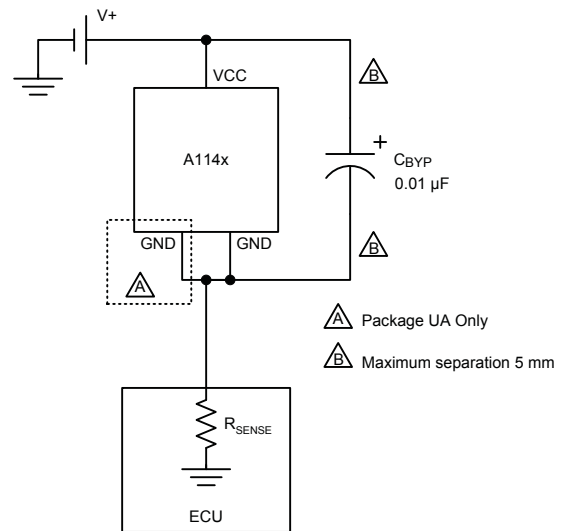


Figure 3. Typical application circuit

For additional general application information, visit the Allegro Web site at [www.allegromicro.com](http://www.allegromicro.com).

**Power Derating**

The device must be operated below the maximum junction temperature of the device,  $T_{J(max)}$ . Under certain combinations of peak conditions, reliable operation may require derating supplied power or improving the heat dissipation properties of the application. This section presents a procedure for correlating factors affecting operating  $T_J$ . (Thermal data is also available on the Allegro MicroSystems Web site.)

The Package Thermal Resistance,  $R_{\theta JA}$ , is a figure of merit summarizing the ability of the application and the device to dissipate heat from the junction (die), through all paths to the ambient air. Its primary component is the Effective Thermal Conductivity,  $K$ , of the printed circuit board, including adjacent devices and traces. Radiation from the die through the device case,  $R_{\theta JC}$ , is relatively small component of  $R_{\theta JA}$ . Ambient air temperature,  $T_A$ , and air motion are significant external factors, damped by overmolding.

The effect of varying power levels (Power Dissipation,  $P_D$ ), can be estimated. The following formulas represent the fundamental relationships used to estimate  $T_J$ , at  $P_D$ .

$$P_D = V_{IN} \times I_{IN} \quad (1)$$

$$\Delta T = P_D \times R_{\theta JA} \quad (2)$$

$$T_J = T_A + \Delta T \quad (3)$$

For example, given common conditions such as:  $T_A = 25^\circ\text{C}$ ,  $V_{CC} = 12\text{ V}$ ,  $I_{CC} = 4\text{ mA}$ , and  $R_{\theta JA} = 140\text{ }^\circ\text{C/W}$ , then:

$$P_D = V_{CC} \times I_{CC} = 12\text{ V} \times 4\text{ mA} = 48\text{ mW}$$

$$\Delta T = P_D \times R_{\theta JA} = 48\text{ mW} \times 140\text{ }^\circ\text{C/W} = 7^\circ\text{C}$$

$$T_J = T_A + \Delta T = 25^\circ\text{C} + 7^\circ\text{C} = 32^\circ\text{C}$$

A worst-case estimate,  $P_{D(max)}$ , represents the maximum allowable power level ( $V_{CC(max)}$ ,  $I_{CC(max)}$ ), without exceeding  $T_{J(max)}$ , at a selected  $R_{\theta JA}$  and  $T_A$ .

*Example:* Reliability for  $V_{CC}$  at  $T_A = 150^\circ\text{C}$ , package UA, using minimum-K PCB.

Observe the worst-case ratings for the device, specifically:  $R_{\theta JA} = 165^\circ\text{C/W}$ ,  $T_{J(max)} = 165^\circ\text{C}$ ,  $V_{CC(max)} = 24\text{ V}$ , and  $I_{CC(max)} = 17\text{ mA}$ .

Calculate the maximum allowable power level,  $P_{D(max)}$ . First, invert equation 3:

$$\Delta T_{max} = T_{J(max)} - T_A = 165^\circ\text{C} - 150^\circ\text{C} = 15^\circ\text{C}$$

This provides the allowable increase to  $T_J$  resulting from internal power dissipation. Then, invert equation 2:

$$P_{D(max)} = \Delta T_{max} \div R_{\theta JA} = 15^\circ\text{C} \div 165\text{ }^\circ\text{C/W} = 91\text{ mW}$$

Finally, invert equation 1 with respect to voltage:

$$V_{CC(est)} = P_{D(max)} \div I_{CC(max)} = 91\text{ mW} \div 17\text{ mA} = 5\text{ V}$$

The result indicates that, at  $T_A$ , the application and device can dissipate adequate amounts of heat at voltages  $\leq V_{CC(est)}$ .

Compare  $V_{CC(est)}$  to  $V_{CC(max)}$ . If  $V_{CC(est)} \leq V_{CC(max)}$ , then reliable operation between  $V_{CC(est)}$  and  $V_{CC(max)}$  requires enhanced  $R_{\theta JA}$ . If  $V_{CC(est)} \geq V_{CC(max)}$ , then operation between  $V_{CC(est)}$  and  $V_{CC(max)}$  is reliable under these conditions.

**Device Qualification Program**  
Contact Allegro for information.

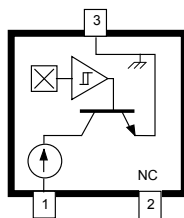
**EMC (Electromagnetic Compatibility) Requirements**

Contact your local representative for EMC results.

Test Name	Reference Specification
ESD – Human Body Model	AEC-Q100-002
ESD – Machine Model	AEC-Q100-003
Conducted Transients	ISO 7637-2
Direct RF Injection	ISO 11452-7
Bulk Current Injection	ISO 11452-4
TEM Cell	ISO 11452-3

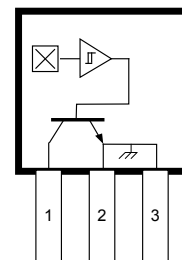
**Pin-out Drawings**

Package LH, 3-pin SOT



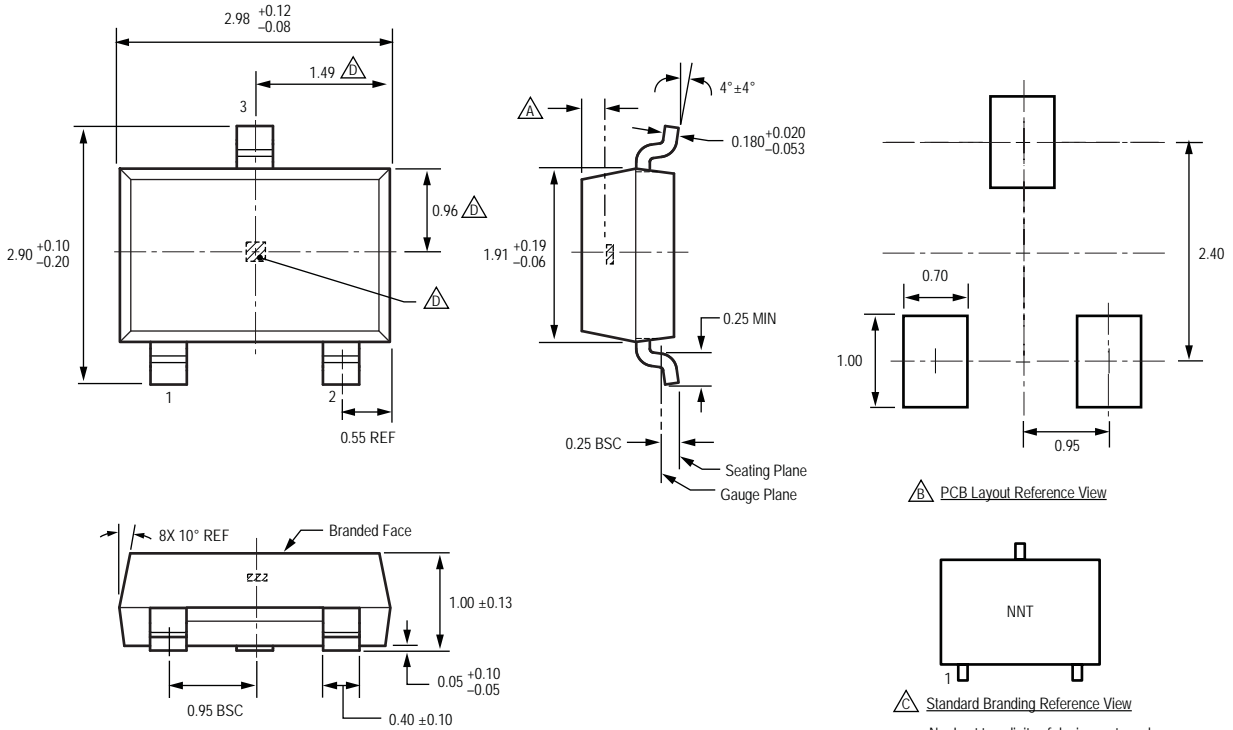
- 1. VCC
- 2. No connection
- 3. GND

Package UA, 3-pin SIP



- 1. VCC
- 2. GND
- 3. GND

**Package LH, 3-Pin; (SOT-23W)**



For Reference Only; not for tooling use (reference dwg. 802840)  
 Dimensions in millimeters  
 Dimensions exclusive of mold flash, gate burrs, and dambar protrusions  
 Exact case and lead configuration at supplier discretion within limits shown

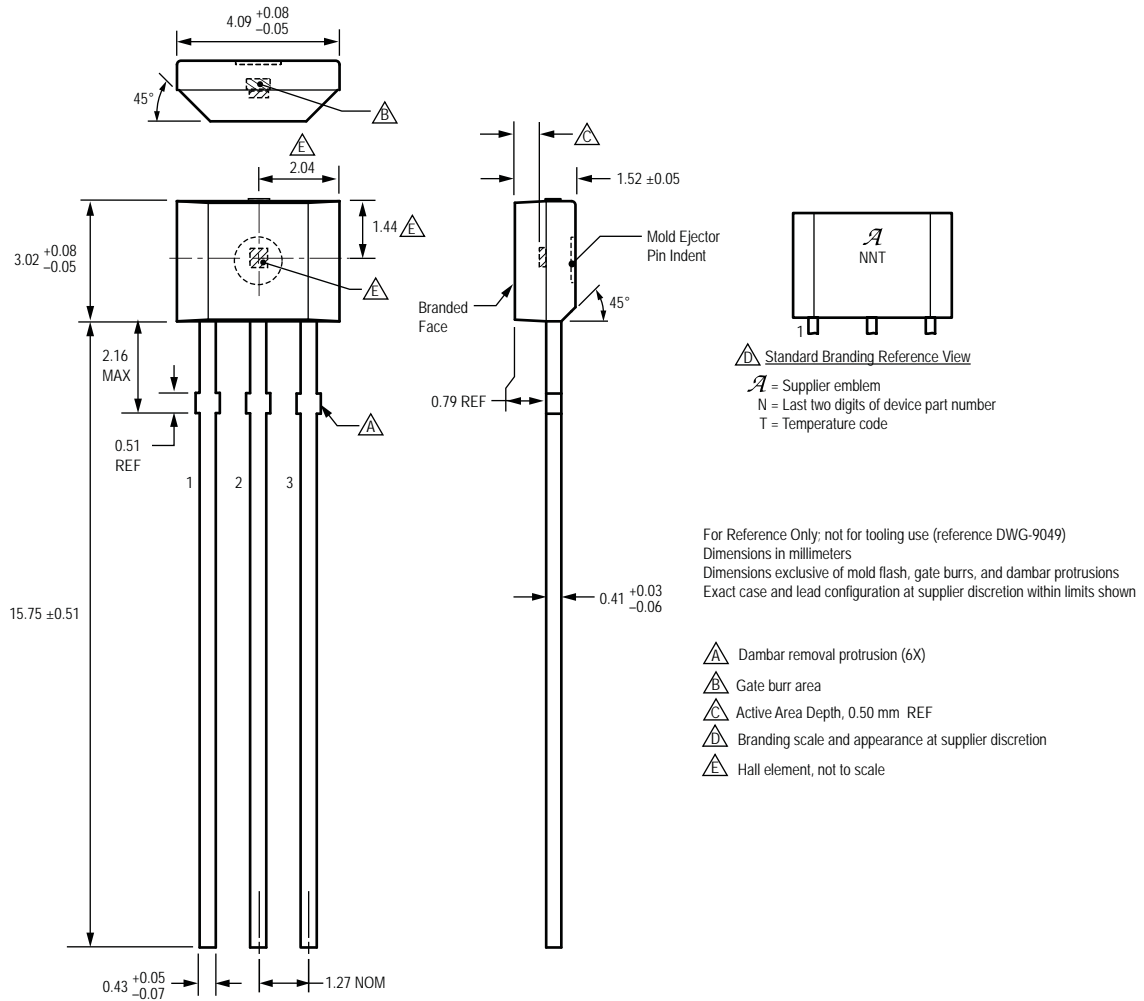
- Active Area Depth, 0.28 mm REF
- Reference land pattern layout  
All pads a minimum of 0.20 mm from all adjacent pads; adjust as necessary to meet application process requirements and PCB layout tolerances
- Branding scale and appearance at supplier discretion
- Hall element, not to scale

PCB Layout Reference View

Standard Branding Reference View

N = Last two digits of device part number  
 T = Temperature code

Package UA, 3-Pin SIP



Copyright ©2004-2010, Allegro MicroSystems, Inc.

Allegro MicroSystems, Inc. reserves the right to make, from time to time, such departures from the detail specifications as may be required to permit improvements in the performance, reliability, or manufacturability of its products. Before placing an order, the user is cautioned to verify that the information being relied upon is current.

Allegro's products are not to be used in life support devices or systems, if a failure of an Allegro product can reasonably be expected to cause the failure of that life support device or system, or to affect the safety or effectiveness of that device or system.

The information included herein is believed to be accurate and reliable. However, Allegro MicroSystems, Inc. assumes no responsibility for its use; nor for any infringement of patents or other rights of third parties which may result from its use.

For the latest version of this document, visit our website:

[www.allegromicro.com](http://www.allegromicro.com)

## Looking for pricing, stock, or lifecycle information?

Click below to explore more details on WIN SOURCE:

- ⊖ [View A1145LLHLT on WIN SOURCE](#)
- ⊖ [Allegro MicroSystems, LLC Information](#)

## Optimize Your Supply Chain with WIN SOURCE Solutions

- ✓ Global Sourcing Solution
- ✓ Obsolete Management
- ✓ Cost Control Management
- ✓ Shortage Management
- ✓ Alternative Solution
- ✓ Excess Inventory Management