



THE DATASHEET OF
034-1135-12G



NOTES:

1. MATERIALS AND FINISHES:

- PCB BODY - ZINC ALLOY, MATTE TIN PLATING
- HD-BNC BODIES - BRASS, NICKEL PLATING
- CONTACTS - BeCu, GOLD PLATING
- INSULATORS - PTFE

2. ELECTRICAL:

- A. IMPEDANCE: 75 OHM
- B. FREQUENCY RANGE: DC - 12 GHz
- C. RETURN LOSS: -15 dB MIN.

3. MECHANICAL:

- A. DURABILITY: 500 CYCLES MIN.
- B. OPERATING TEMPERATURE RANGE: -65° C TO +165° C
- C. REFLOW TEMPERATURE RANGE: 250° C FOR 30 SECONDS MAX

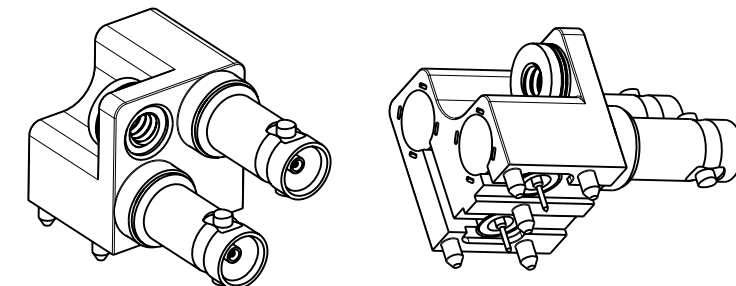
4. PACKAGING:

- A. TYPE: SEGMENTED TRAYS
- B. TRAY MARKING: "AMPHENOL RF, 34-1135-12G, AND DATE CODE"

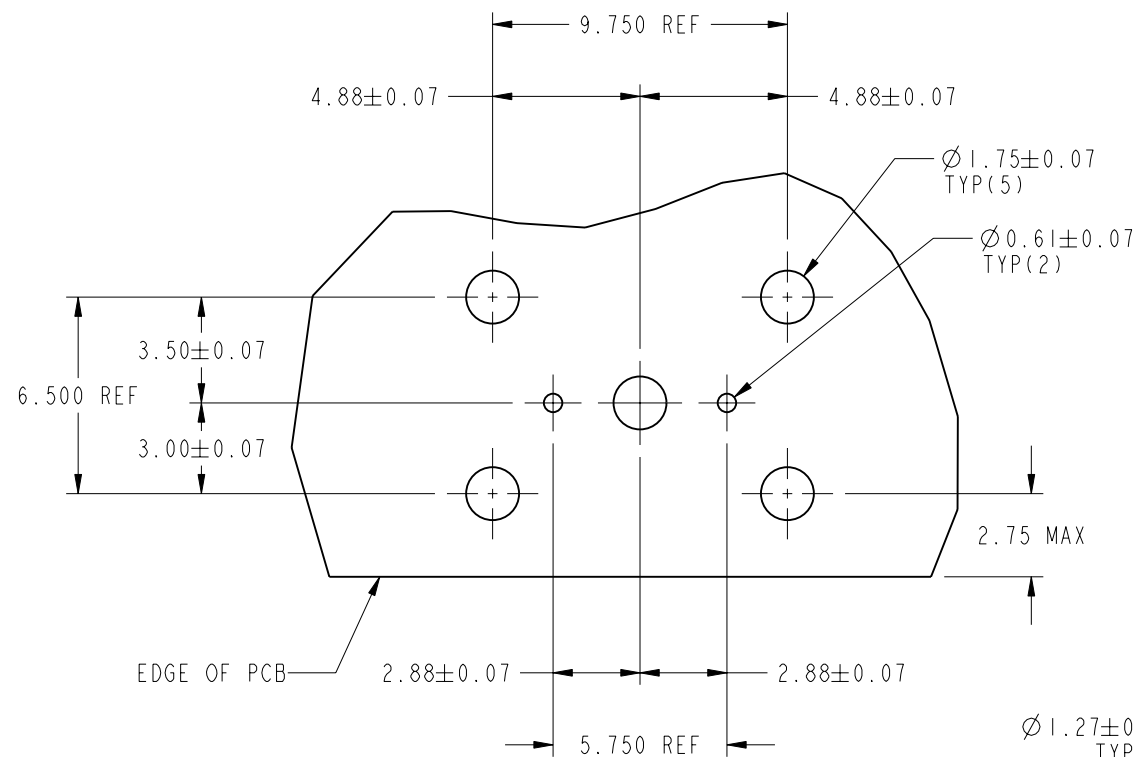
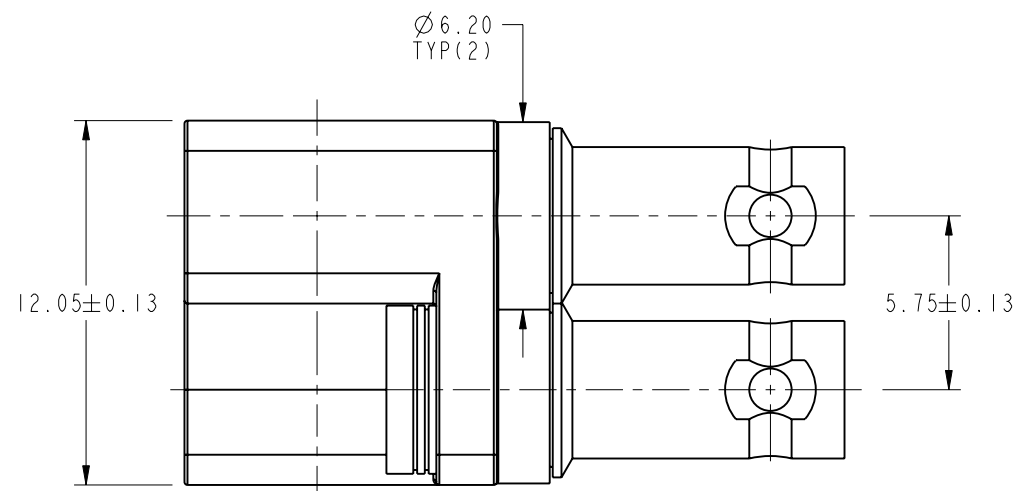
THIRD ANGLE PROJ.

REVISIONS

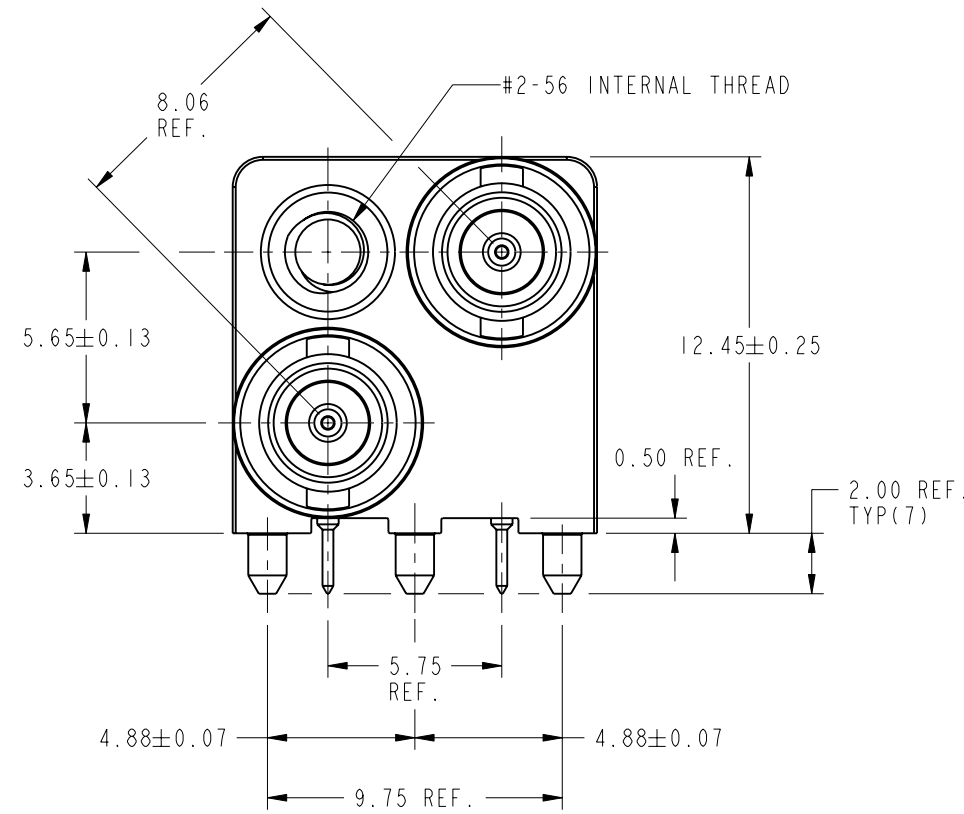
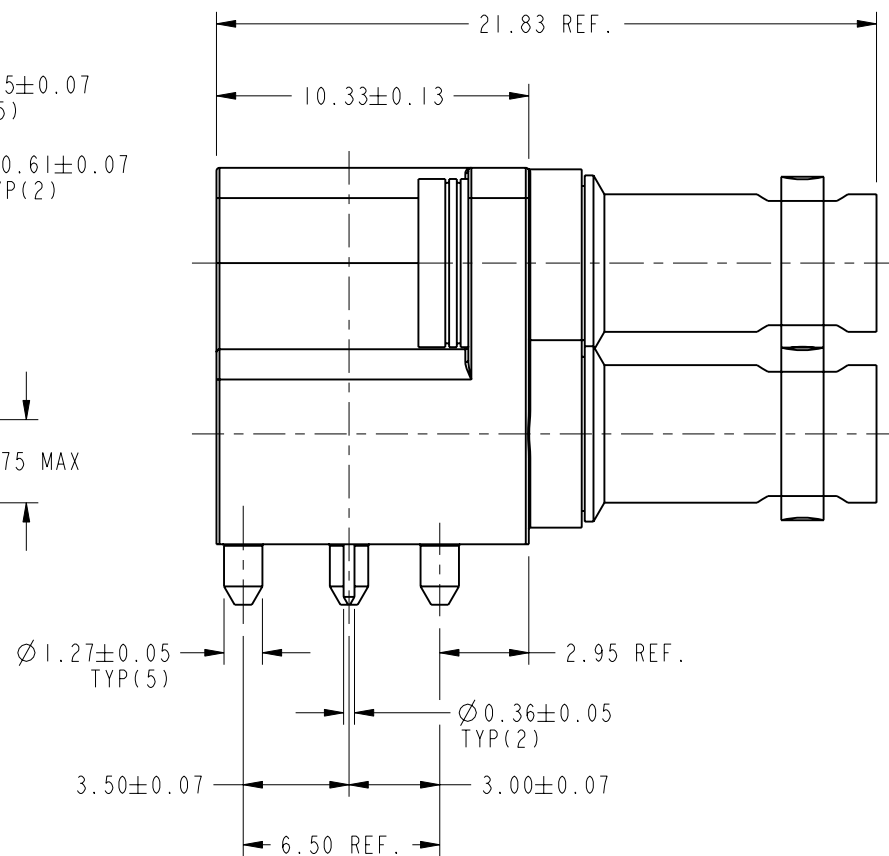
REV	DESCRIPTION	DATE	ECN	APPR
A	RELEASE TO MFG.	08-Apr-19	11185	EH



SCALE 1.800



RECOMMENDED PCB LAYOUT
SCALE 4.000



CUSTOMER OUTLINE DRAWING
ALL OTHER SHEETS ARE FOR INTERNAL USE ONLY

UNLESS OTHERWISE SPECIFIED, DIMENSIONS ARE IN METRIC AND TOLERANCES ARE:
 <0.5mm ±0.05mm 0.5 - 6mm ±0.1mm 6 - 30mm ±0.2mm 30 - 120mm ±0.3mm ANGLES ±1°

NOTICE - These drawings, specifications, or other data (1) are, and remain the property of Amphenol corp. (2) must be returned upon request; and (3) are confidential and not to be disclosed to any person other than those to whom they are given by Amphenol Corp. the furnishing of these drawings, specifications, or other data by Amphenol Corp., or to any other person to anyone for any purpose is not to be regarded by implication or otherwise in any manner licensing, granting rights to permitting such holder or any other person to manufacture, use or sell any product, process or design, patented or otherwise, that may in any way be related to or disclosed by said drawings, specifications, or other data.

MATERIAL	-
REFERENCE	-
EAR#	8879
REF:	
CONFIGURATION LEVEL:	In Work
FINISH	


DRAWN	S. DUAN	DATE	09-Apr-19
ENGINEER	B. WYMAN	DATE	13-Jan-17
APPROVED	S. HSIEH	DATE	10-Apr-19
CAD FILE			

TITLE	HD-BNC R/A JACK, 2 POSITIONS, 8mm PITCH FOR < Ø5.4mm CABLES
SCALE:	4.0:1.0 SHEET 2 OF 2
DWG SIZE	B
REV	A

Amphenol RF	
www.amphenolrf.com	
DRAWING NO.	34-1135-12G
ITEM NO.	34-1135-12G
PART NO.	34-1135-12G

Looking for pricing, stock, or lifecycle information?

Click below to explore more details on WIN SOURCE:

 [View 034-1135-12G on WIN SOURCE](#)

 [Amphenol Information](#)

Optimize Your Supply Chain with WIN SOURCE Solutions

-  Global Sourcing Solution
-  Obsolete Management
-  Cost Control Management
-  Shortage Management
-  Alternative Solution
-  Excess Inventory Management