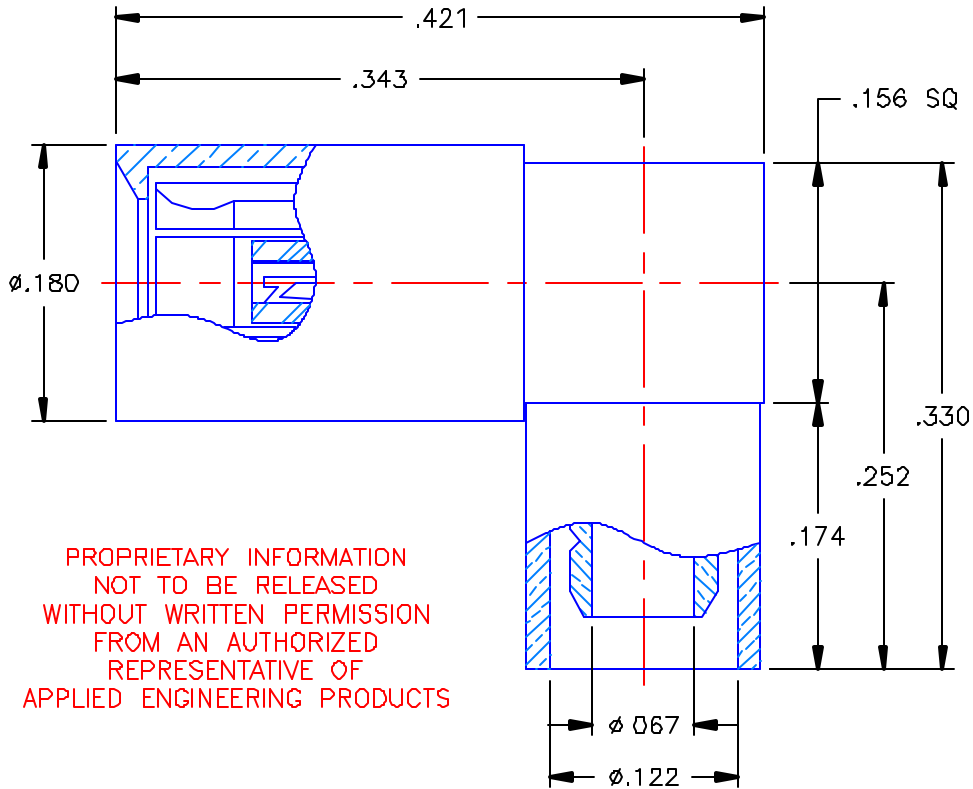




THE DATASHEET OF
7405-1521-003



REVISIONS			
REV	DESCRIPTION	DATE	APPROVED
A	ECO #5412	05/28/04	D.N.



PROPRIETARY INFORMATION
NOT TO BE RELEASED
WITHOUT WRITTEN PERMISSION
FROM AN AUTHORIZED
REPRESENTATIVE OF
APPLIED ENGINEERING PRODUCTS


NOTES:

MATERIALS:

- BODY, SLEEVE, & CAP = BRASS PER ASTM B16, ALLOY C36000, TEMPER H02.
- INSULATORS = VIRGIN WHITE TEFLON PER ASTM D1710, GRADE 1, TYPE I, CLASS "B".
- CONTACT & INTERFACE BODY = BERYLLIUM COPPER PER ASTM B196, ALLOY C17300, TEMPER TD04.
- CRIMP SLEEVE = SEAMLESS LOWLEAD BRASS TUBE, ALLOY 330, SOFT ANNEAL TEMPER, .025/.060 GRAIN SIZE OR SEAMLESS COPPER TUBE PER ASTM B75, TYPE C12000, TEMPER: LIGHT ANNEAL Q50 EXCEPT YIELD STRENGTH.
- SHRINK TUBE = RNF100, YELLOW (NOT SHOWN).

FINISHES:

- CONTACT = GOLD PLATE PER MIL-G-45204, TYPE II, CLASS 1, GRADE C, OVER .00010 TO .00020 STRESS FREE SULFAMATE NICKEL PER QQ-N-290.
- ALL OTHER METAL PARTS = GOLD PLATE PER MIL-G-45204, TYPE II, CLASS 0, GRADE C, OVER .00010 TO .00020 COPPER STRIKE PER MIL-C-14550.

UNLESS OTHERWISE SPECIFIED DIMENSIONS ARE IN INCHES TOLERANCES ON		DWN. D N	DATE 05/28/04		APPLIED ENGINEERING PRODUCTS		
		CHKD: A.D.M.	DATE 05/28/04		104 John W. Murphy Dr. New Haven, CT 06513		
DECIMAL	ANGLE	APVD: D.J.C.	DATE 05/28/04	SSMB RIGHT ANGLE PLUG CRIMP TYPE FOR RG-316			
REFERENCE:		MATERIALS & FINISHES:		SIZE A	FSCM NO. 19505	DWG NO. 7405-1521-003	REV A
ORIGINATOR: D.N. DATE: 05/12/88		SEE NOTES		SCALE 8:1		SHEET 1 OF 1	

7405-1521-003

Looking for pricing, stock, or lifecycle information?

Click below to explore more details on WIN SOURCE:

 [View 7405-1521-003 on WIN SOURCE](#)

 [Radiall USA, Inc. Information](#)

Optimize Your Supply Chain with WIN SOURCE Solutions

-  Global Sourcing Solution
-  Obsolete Management
-  Cost Control Management
-  Shortage Management
-  Alternative Solution
-  Excess Inventory Management