



**THE DATASHEET OF
PLA10AN1522R0R2B**



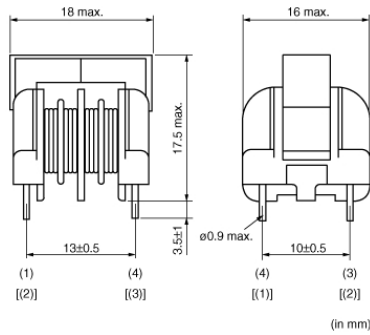
PLA10AN2230R4D2B

Discontinued

RoHS

REACH

Appearance & Shape



Packaging Information

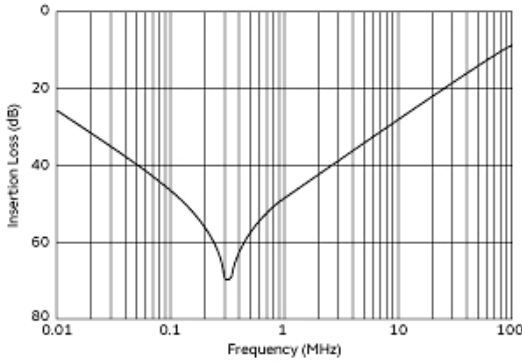
Packaging	Specifications	Standard Packing Quantity
-	Box	1260

Attention

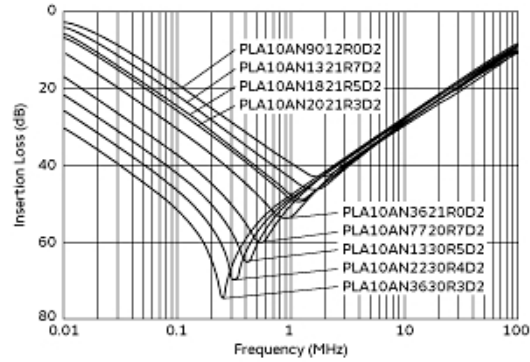
- 1.This datasheet is downloaded from the website of Murata Manufacturing Co., Ltd. Therefore, it's specifications are subject to change or our products in it may be discontinued without advance notice. Please check with our sales representatives or product engineers before ordering.
- 2.This datasheet has only typical specifications because there is no space for detailed specifications. Therefore, please review our product specifications or consult the approval sheet for product specifications before ordering.

PLA10AN2230R4D2B

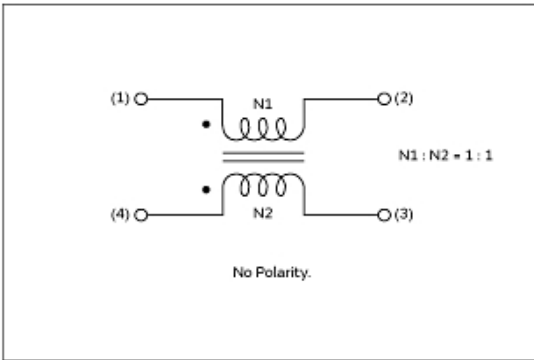
Product Data



Insertion Loss Characteristics



Insertion Loss Characteristics (Main)



Equivalent Circuit

Attention

- 1.This datasheet is downloaded from the website of Murata Manufacturing Co., Ltd. Therefore, it's specifications are subject to change or our products in it may be discontinued without advance notice. Please check with our sales representatives or product engineers before ordering.
- 2.This datasheet has only typical specifications because there is no space for detailed specifications. Therefore, please review our product specifications or consult the approval sheet for product specifications before ordering.

Mouser Electronics

Authorized Distributor



Click to View Pricing, Inventory, Delivery & Lifecycle Information:

Murata:

[PLY10AN9920R6R3B](#) [PLY10AN8720R7D2B](#) [PLH10AS3711R0P2B](#) [PLA10AN1330R5D2B](#) [PLY10AN1130R5D2B](#)
[PLY10AN1130R5D3B](#) [PLA10AN7720R7D2B](#) [PLA10AN5521R0R2B](#) [PLY10AN2821R2R2B](#) [PLY10AN4420R8D2B](#)
[PLY10AN4420R8D3B](#) [PLY10AN2821R2R3B](#) [PLH10AN7003R6P2B](#) [PLA10AS2230R4D2B](#) [PLAA1022R0R01B1](#)
[PLY10AN9720R6D2B](#) [PLY10AN9720R6D3B](#) [PLA10AN1030R7R2B](#) [PLA10AN2030R5R2B](#) [PLY10AN1430R5R2B](#)
[PLY10AN8720R7R2B](#) [PLY10AN1430R5R3B](#) [PLY10AN8720R7R3B](#) [PLAA1522R0R01B1](#) [PLY10AN8720R7D3B](#)
[PLY10AN9920R6R2B](#) [PLA10AN1230R6R2B](#) [PLY10AN1521R6R3B](#) [PLY10AN1521R6R2B](#) [PLAC3330R3R01B1](#)
[PLAB1022R0R01B1](#) [PLAC8020R5R01B1](#) [PLAA3021R0R01B1](#) [PLA10AN1821R7R2B](#) [PLY10AN9012R0R3B](#)
[PLA10AN1522R0R2B](#) [PLY10AN9012R0R2B](#) [PLY10AN6220R8R2B](#) [PLY10AN3521R0D3B](#) [PLA10AN3621R0D2B](#)
[PLY10AN3521R0D2B](#) [PLAC3021R0R01B1](#) [PLA10AN7420R8R2B](#) [PLY10AN2321R2D2B](#) [PLY10AN2321R2D3B](#)
[PLA10AN2021R3D2B](#) [PLA10AN9012R0D2B](#) [PLH10AN1112R6P2B](#) [PLY10AN7012R0D2B](#) [PLY10AN7012R0D3B](#)
[PLA10AS1821R7R2B](#) [PLA10AS2030R5R2B](#) [PLA10AS3030R4R2B](#) [PLY10AS4321R0R2B](#) [PLY10AN2121R4R2B](#)
[PLY10AN2121R4R3B](#) [PLA10AN4330R3R2B](#) [PLH10AN2211R5P2B](#) [PLH10AS2211R5P2B](#) [PLA10AN1821R5D2B](#)
[PLA10AN2221R5R2B](#) [PLY10AN1421R4D3B](#) [PLY10AN1421R4D2B](#) [PLA10AN3630R3D2B](#) [PLY10AN4321R0R2B](#)
[PLA10AN3521R2R2B](#) [PLY10AN4321R0R3B](#) [PLH10AN2911R2P2B](#) [PLH10AN3711R0P2B](#) [PLY10AN6220R8R3B](#)
[PLA10AN3021R3R2B](#) [PLA10AN2230R4D2B](#) [PLH10AN1612R1P2B](#) [PLY10AN1121R8R2B](#) [PLY10AN1121R8R3B](#)
[PLA10AN3030R4R2B](#) [PLY10AN1121R7D3B](#) [PLA10AN1321R7D2B](#) [PLY10AN1121R7D2B](#) [PLA10AS1030R7R2B](#)
[PLA10AS1230R6R2B](#) [PLA10AS1321R7D2B](#) [PLA10AS1330R5D2B](#) [PLA10AS1522R0R2B](#) [PLA10AS1821R5D2B](#)
[PLA10AS2021R3D2B](#) [PLA10AS2221R5R2B](#) [PLA10AS3021R3R2B](#) [PLA10AS3521R2R2B](#) [PLA10AS3621R0D2B](#)
[PLA10AS3630R3D2B](#) [PLA10AS4330R3R2B](#) [PLA10AS5521R0R2B](#) [PLA10AS7420R8R2B](#) [PLA10AS7720R7D2B](#)
[PLA10AS9012R0D2B](#) [PLH10AS1112R6P2B](#) [PLH10AS1612R1P2B](#) [PLH10AS2911R2P2B](#) [PLH10AS7003R6P2B](#)

Looking for pricing, stock, or lifecycle information?

Click below to explore more details on WIN SOURCE:

-  [View PLA10AN1522R0R2B on WIN SOURCE](#)
-  [Murata Electronics North America Information](#)

Optimize Your Supply Chain with WIN SOURCE Solutions

-  Global Sourcing Solution
-  Obsolete Management
-  Cost Control Management
-  Shortage Management
-  Alternative Solution
-  Excess Inventory Management