



**THE DATASHEET OF  
BLM18KG700TZ1D**



**CHIP FERRITE BEAD BLM18□□□□□Z1□**  
**Murata Standard REFERENCE SPECIFICATION [AEC-Q200]**

**1. Scope**

This specification applies to chip ferrite bead BLM18\_□Z series for automotive electronics based on AEC-Q200 except for power trains and safeties.

**2. Part Numbering**

(Ex.)	BL	M	18	AG	121	S	Z	1	D
Product ID	Type	Dimension (L × W)	Characteristics	Impedance (Typical value at 100 MHz)	Performance	Category	Numbers of circuit	Packaging	D: taping

**3. Part Number and Rating**

Operating temperature range	-55°C to +125°C
Storage temperature range	-55°C to +125°C

Customer Part number	Murata Part number	Impedance (Ω) at 100 MHz		Rated current*1 (mA)		DC resistance (Ω max.)		Remark	ESD Rank 2: 2 kV
			Typ.	Ambient temperature 85°C	Ambient temperature 125°C	Initial values	Values after testing		
	BLM18PG300SZ1D	20 min.	30	-	1000	0.05	0.10	For DC power line	2
	BLM18PG330SZ1D	33±25%	33	3000	1000	0.025	0.050	For DC power line	2
	BLM18PG600SZ1D	40 min.	60	-	1000	0.10	0.20	For DC power line	2
	BLM18PG121SZ1D	120±25%	120	2000	1000	0.05	0.10	For DC power line	2
	BLM18PG181SZ1D	180±25%	180	1500	1000	0.09	0.18	For DC power line	2
	BLM18PG221SZ1D	220±25%	220	1400	1000	0.10	0.14	For DC power line	2
	BLM18PG331SZ1D	330±25%	330	1200	1000	0.15	0.20	For DC power line	2
	BLM18PG471SZ1D	470±25%	470	-	1000	0.20	0.26	For DC power line	2
	BLM18SP300SZ1D	30±10	30	6000	4000	0.008	0.010	For DC power line	2
	BLM18SP101SZ1D	100±25%	100	3700	2500	0.022	0.026	For DC power line	2
	BLM18SP221SZ1D	220±25%	220	2800	1900	0.040	0.048	For DC power line	2
	BLM18SP601SZ1D	600±25%	600	1500	1000	0.140	0.168	For DC power line	2
	BLM18SP102SZ1D	1000±25%	1000	1200	800	0.185	0.222	For DC power line	2
	BLM18KG221SZ1D	220±25%	220	2200	1500	0.050	0.060	For DC power line	2
	BLM18KG331SZ1D	330±25%	330	1700	1200	0.080	0.095	For DC power line	2
	BLM18KG471SZ1D	470±25%	470	1500	1000	0.130	0.145	For DC power line	2

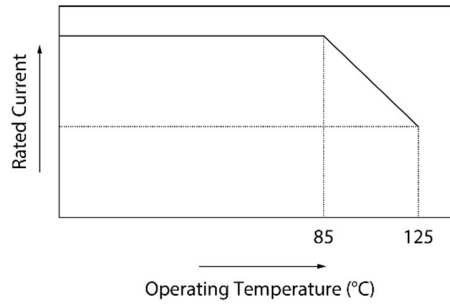
Customer Part number	Murata Part number	Impedance ( $\Omega$ ) at 100 MHz		Rated current*1 (mA)		DC resistance ( $\Omega$ max.)		Remark	ESD Rank 2: 2 kV
			Typ.	Ambient temperature 85°C	Ambient temperature 125°C	Initial values	Values after testing		
	BLM18KG601SZ1D	600 $\pm$ 25%	600	1300	1000	0.150	0.165	For DC power line	2
	BLM18KG102SZ1D	1000 $\pm$ 25%	1000	1000	800	0.200	0.230	For DC power line	2
	BLM18AG121SZ1D	120 $\pm$ 25%	120	-	800	0.18	0.28	For general use	2
	BLM18AG151SZ1D	150 $\pm$ 25%	150	-	700	0.25	0.35	For general use	2
	BLM18AG221SZ1D	220 $\pm$ 25%	220	-	700	0.25	0.35	For general use	2
	BLM18AG331SZ1D	330 $\pm$ 25%	330	-	600	0.30	0.40	For general use	2
	BLM18AG471SZ1D	470 $\pm$ 25%	470	-	550	0.35	0.45	For general use	2
	BLM18AG601SZ1D	600 $\pm$ 25%	600	-	500	0.38	0.48	For general use	2
	BLM18AG102SZ1D	1000 $\pm$ 25%	1000	-	450	0.50	0.60	For general use	2
	BLM18BB050SZ1D	5 $\pm$ 25%	5	-	800	0.05	0.10	For high speed signal line	2
	BLM18BA050SZ1D	5 $\pm$ 25%	5	-	500	0.2	0.3	For high speed signal line	2
	BLM18BB100SZ1D	10 $\pm$ 25%	10	-	700	0.10	0.20	For high speed signal line	2
	BLM18BA100SZ1D	10 $\pm$ 25%	10	-	500	0.25	0.35	For high speed signal line	2
	BLM18BB220SZ1D	22 $\pm$ 25%	22	-	700	0.20	0.30	For high speed signal line	2
	BLM18BA220SZ1D	22 $\pm$ 25%	22	-	500	0.35	0.45	For high speed signal line	2
	BLM18BB470SZ1D	47 $\pm$ 25%	47	-	600	0.25	0.35	For high speed signal line	2
	BLM18BD470SZ1D	47 $\pm$ 25%	47	-	500	0.3	0.4	For high speed signal line	2
	BLM18BA470SZ1D	47 $\pm$ 25%	47	-	300	0.55	0.65	For high speed signal line	2
	BLM18BB600SZ1D	60 $\pm$ 25%	60	-	600	0.25	0.35	For high speed signal line	2
	BLM18BA750SZ1D	75 $\pm$ 25%	75	-	300	0.70	0.80	For high speed signal line	2
	BLM18BB750SZ1D	75 $\pm$ 25%	75	-	600	0.30	0.40	For high speed signal line	2
	BLM18BB121SZ1D	120 $\pm$ 25%	120	-	550	0.30	0.40	For high speed signal line	2
	BLM18BD121SZ1D	120 $\pm$ 25%	120	-	300	0.4	0.5	For high speed signal line	2
	BLM18BA121SZ1D	120 $\pm$ 25%	120	-	200	0.9	1.0	For high speed signal line	2
	BLM18BB141SZ1D	140 $\pm$ 25%	140	-	500	0.35	0.45	For high speed signal line	2

Customer Part number	Murata Part number	Impedance (Ω) at 100 MHz		Rated current*1 (mA)		DC resistance (Ω max.)		Remark	ESD Rank 2: 2 kV
			Typ.	Ambient temperature 85°C	Ambient temperature 125°C	Initial values	Values after testing		
	BLM18BB151SZ1D	150±25%	150	-	450	0.37	0.47	For high speed signal line	2
	BLM18BD151SZ1D	150±25%	150	-	300	0.4	0.5	For high speed signal line	2
	BLM18BB221SZ1D	220±25%	220	-	450	0.45	0.55	For high speed signal line	2
	BLM18BD221SZ1D	220±25%	220	-	250	0.45	0.55	For high speed signal line	2
	BLM18BB331SZ1D	330±25%	330	-	400	0.58	0.68	For high speed signal line	2
	BLM18BD331SZ1D	330±25%	330	-	250	0.5	0.6	For high speed signal line	2
	BLM18BD421SZ1D	420±25%	420	-	250	0.55	0.65	For high speed signal line	2
	BLM18BB471SZ1D	470±25%	470	-	300	0.85	0.95	For high speed signal line	2
	BLM18BD471SZ1D	470±25%	470	-	250	0.55	0.65	For high speed signal line	2
	BLM18BD601SZ1D	600±25%	600	-	200	0.65	0.75	For high speed signal line	2
	BLM18BD102SZ1D	1000±25%	1000	-	200	0.85	0.95	For high speed signal line	2
	BLM18BD152SZ1D	1500±25%	1500	-	150	1.2	1.3	For high speed signal line	2
	BLM18BD182SZ1D	1800±25%	1800	-	150	1.5	1.6	For high speed signal line	2
	BLM18BD222SZ1D	2200±25%	2200	-	150	1.5	1.6	For high speed signal line	2
	BLM18BD252SZ1D	2500±25%	2500	-	150	1.5	1.6	For high speed signal line	2
	BLM18SG260TZ1D	26±25%	26	6000	1000	0.007	0.012	For DC power line (thin type)	2
	BLM18SG700TZ1D	70±25%	70	4000	1000	0.020	0.030	For DC power line (thin type)	2
	BLM18SG121TZ1D	120±25%	120	3000	1000	0.025	0.035	For DC power line (thin type)	2
	BLM18SG221TZ1D	220±25%	220	2500	1000	0.040	0.055	For DC power line (thin type)	2
	BLM18SG331TZ1D	330±25%	330	1500	1000	0.070	0.085	For DC power line (thin type)	2
	BLM18SN220TZ1D	22±7	22	8000	5000	0.004	0.005	For DC power line (thin type)	2
	BLM18KG260TZ1D	26±25%	26	6000	4000	0.007	0.012	For DC power line (thin type)	2
	BLM18KG300TZ1D	30±25%	30	5000	3300	0.010	0.015	For DC power line (thin type)	2
	BLM18KG700TZ1D	70±25%	70	3500	2200	0.022	0.032	For DC power line (thin type)	2
	BLM18KG101TZ1D	100±25%	100	3000	1900	0.030	0.040	For DC power line (thin type)	2

# Reference Only

Customer Part number	Murata Part number	Impedance (Ω) at 100 MHz		Rated current*1 (mA)		DC resistance (Ω max.)		Remark	ESD Rank 2: 2 kV
			Typ.	Ambient temperature 85°C	Ambient temperature 125°C	Initial values	Values after testing		
	BLM18KG121TZ1D	120±25%	120	3000	1900	0.030	0.040	For DC power line (thin type)	2

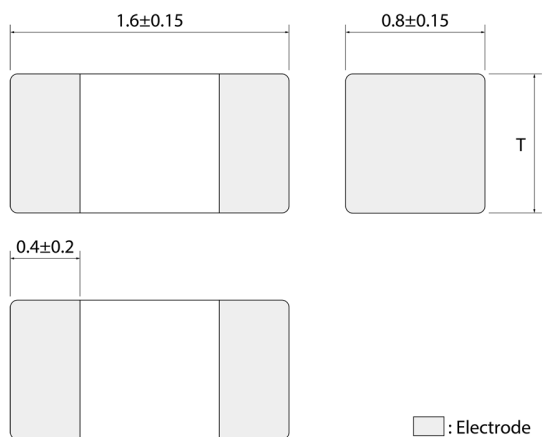
\*1 As shown in the diagram below, derating is applied to the rated current of the BLM18PG (excluding BLM18PG300SZ1, BLM18PG600SZ1, BLM18PG471SZ1), BLM18S□, BLM18KG series based on the operating temperature.



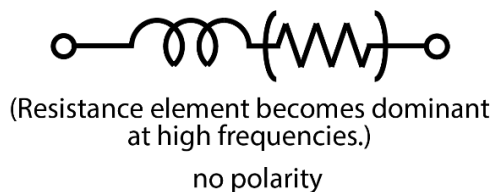
#### 4. Testing Conditions

Unless otherwise specified	Temperature: ordinary temperature (15°C to 35°C) Humidity: ordinary humidity [25% to 85% (RH)]
In case of doubt	Temperature: 20°C±2°C Humidity: 60% to 70% (RH) Atmospheric pressure: 86 kPa to 106 kPa

## 5. Appearance and Dimensions



Equivalent circuit



Unit mass (typical value):  
BLM18\*\*\*\*\*SZ1\*: 0.005 g  
BLM18\*\*\*\*\*TZ1\*: 0.004 g

Part number	T
BLM18SG***TZ1*	0.5±0.15
BLM18SN***TZ1*	0.6±0.15
BLM18KG***TZ1*	0.6±0.15
BLM18*****SZ1*	0.8±0.15

## 6. Marking

No marking.

## 7. Electrical Performance

No.	Item	Specification	Test method
7.1	Impedance	Meet chapter 3 ratings.	Measuring equipment: Keysight 4991A or the equivalent Measuring frequency: 100 MHz±1 MHz Measuring fixture: Keysight 16192A or the equivalent
7.2	DC resistance	Meet chapter 3 ratings.	Measuring equipment: digital multimeter (Applied to BLM18SN type) Measuring equipment: Yokogawa 755611 or the equivalent Measuring fixture: Keysight 16044A or the equivalent Substrate wiring resistance is excluded.

## 8. AEC-Q200 Requirement

### 8.1 Performance [(based on table 13 for filter EMI suppressors/filters) AEC-Q200 Rev.D issued June 1, 2010]

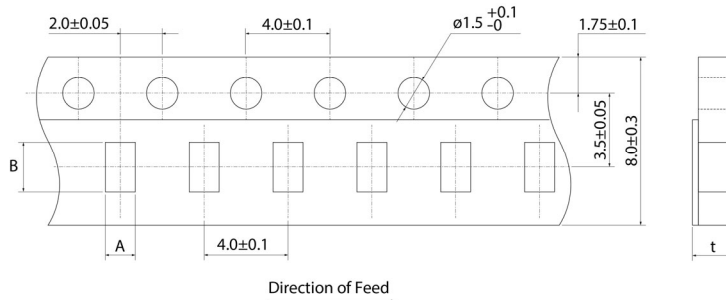
AEC-Q200			Murata specification/deviation	
No.	Stress	Test method		
3	High temperature exposure	1000 h at 125°C Set for 24 h at room condition, then measured.	Meet table A after testing. Table A	
			Appearance	No damage
			Impedance change (at 100 MHz)	Within ±30% (within ±50% for BLM18SN)
			DC Resistance	Meet chapter 3 ratings.

AEC-Q200			Murata specification/deviation						
No.	Stress	Test method							
4	Temperature cycling	1000 cycles -55°C to +125°C Set for 24 h at room condition, then measured.	Meet table B after testing. Table B <table border="1"> <tr> <td>Appearance</td> <td>No damage</td> </tr> <tr> <td>Impedance change (at 100 MHz)</td> <td>Within ±30% (within ±50% for BLM18SN) (within -10% to +50% for BLM18KG)</td> </tr> <tr> <td>DC Resistance</td> <td>Meet chapter 3 ratings.</td> </tr> </table>	Appearance	No damage	Impedance change (at 100 MHz)	Within ±30% (within ±50% for BLM18SN) (within -10% to +50% for BLM18KG)	DC Resistance	Meet chapter 3 ratings.
Appearance	No damage								
Impedance change (at 100 MHz)	Within ±30% (within ±50% for BLM18SN) (within -10% to +50% for BLM18KG)								
DC Resistance	Meet chapter 3 ratings.								
5	Destructive physical analysis	Per EIA469 No electrical tests	No defects						
7	Biased humidity	1000 h at 85°C, 85% (RH). Apply max rated current.	Meet table C after testing. Table C <table border="1"> <tr> <td>Appearance</td> <td>No damage</td> </tr> <tr> <td>Impedance change (at 100 MHz)</td> <td>Within ±30% (within ±50% for BLM18KG/SN)</td> </tr> <tr> <td>DC Resistance</td> <td>Meet chapter 3 ratings.</td> </tr> </table>	Appearance	No damage	Impedance change (at 100 MHz)	Within ±30% (within ±50% for BLM18KG/SN)	DC Resistance	Meet chapter 3 ratings.
Appearance	No damage								
Impedance change (at 100 MHz)	Within ±30% (within ±50% for BLM18KG/SN)								
DC Resistance	Meet chapter 3 ratings.								
8	Operational life	Apply 125°C 1000 h Set for 24 h at room condition, then measured.	Meet table C after testing. If the rated current of parts exceed 1 A, the operating temperature should be 85°C.						
9	External visual	Visual inspection	No abnormalities						
10	Physical dimension	Meet chapter 5, "Appearance and Dimensions".	No defects						
12	Resistance to solvents	Per MIL-STD-202 Method 215	Not applicable						
13	Mechanical shock	Per MIL-STD-202 Method 213 Condition F: 1500 g's (14.7 N), 0.5 ms, half sine	Meet table D after testing. Table D <table border="1"> <tr> <td>Appearance</td> <td>No damage</td> </tr> <tr> <td>Impedance change (at 100 MHz)</td> <td>Within ±30%</td> </tr> <tr> <td>DC Resistance</td> <td>Meet chapter 3 ratings.</td> </tr> </table>	Appearance	No damage	Impedance change (at 100 MHz)	Within ±30%	DC Resistance	Meet chapter 3 ratings.
Appearance	No damage								
Impedance change (at 100 MHz)	Within ±30%								
DC Resistance	Meet chapter 3 ratings.								
14	Vibration	5 g's (0.049 N) for 20 min, 12 cycles each of 3 orientations Test from 10 Hz to 2000 Hz	Meet table D after testing.						
15	Resistance to soldering heat	Solder temperature 260°C±5°C Immersion time 10 s	Pre-heating: 150°C±10°C, 60 s to 90 s Meet table C after testing.						
17	ESD	Per AEC-Q200-002	ESD rank: Refer to chapter 3 ratings. Meet table D after testing.						
18	Solderability	Per J-STD-002	Method b: not applicable 95% of the terminations is to be soldered.						
19	Electrical characterization	Measured: impedance	No defects						
20	Flammability	Per UL-94	Not applicable						
21	Board flex	Epoxy-PCB (1.6 mm) Deflection 2 mm (min.) 60 s minimum holding time	Meet table C after testing.						
22	Terminal strength	Per AEC-Q200-006	No defects						
30	Electrical transient conduction	Per ISO-7637-2	Not applicable						

## 9. Specification of Packaging

### 9.1 Appearance and dimensions of tape

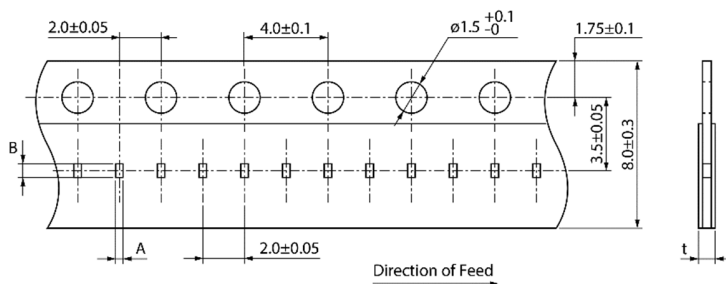
- 8 mm width/paper tape (BLM18PG\*\*\*SZ1D, BLM18SP\*\*\*SZ1D, BLM18AG\*\*\*SZ1D, BLM18B\*\*\*\*SZ1D, BLM18KG\*\*\*\*Z1D, BLM18SN\*\*\*TZ1D)



A	1.05±0.1
B	1.85±0.1
t	1.1 max. (BLM18****S*1)
	0.85 max. (BLM18****T*1)

(in mm)

- 8 mm width/paper tape (BLM18SG\*\*\*TZ1D)



A	1.05±0.1
B	1.85±0.1
t	0.9 max.

(in mm)

### 9.2 Taping specifications

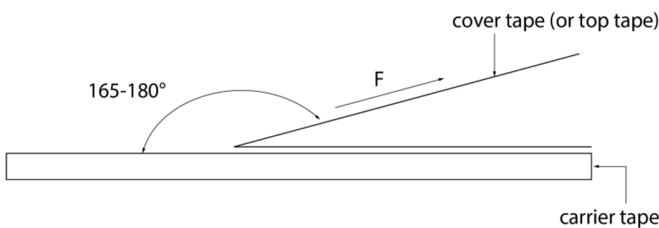
Packing quantity (Standard quantity)	4000 pcs/reel (except BLM18SG) 10000 pcs/reel (only BLM18SG)
Packing method	The products are placed in cavities of a carrier tape and sealed by a cover tape (top tape and bottom tape when the cavities of the carrier tape are punched type).
Feed hole position	The feed holes on the carrier tape are on the right side when the cover tape (top tape when the cavities of the carrier tape are punched type) is pulled toward the user.
Joint	The carrier tape and cover tape (top tape when the cavities of the carrier tape are punched type) are seamless.
Number of missing products	Number of missing products within 0.025% of the number per reel or 1 pc., whichever is greater, and are not continuous. The specified quantity per reel is kept.

### 9.3 Break down force of tape

Cover tape (or top tape)	5 N min.
Bottom tape (only when the cavities of the carrier tape are punched type)	5 N min.

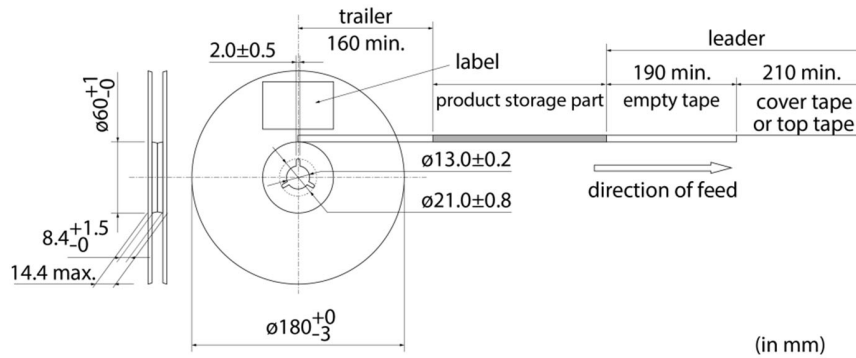
### 9.4 Peeling off force of tape

Speed of peeling off	300 mm/min
Peeling off force	0.1 N to 0.6 N (The lower limit is for typical value.)



### 9.5 Dimensions of leader section, trailer section and reel

A vacant section is provided in the leader (start) section and trailer (end) section of the tape for the product. The leader section is further provided with an area consisting only of the cover tape (or top tape). (See the diagram below.)



### 9.6 Marking for reel

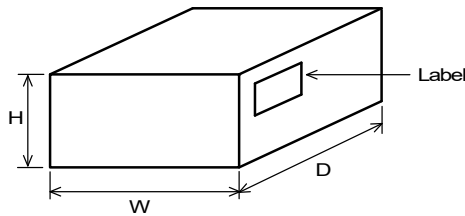
Customer part number, Murata part number, inspection number (\*1), RoHS marking (\*2), quantity, etc.

*1 Expression of inspection No.: $\square\square$ $\circ\circ\circ\circ$ $\diamond\diamond\diamond$ (1)        (2)        (3)	(1) Factory code (2) Date First digit: year/last digit of year Second digit: month/Jan. to Sep. → 1 to 9, Oct. to Dec. → O, N, D Third, Fourth digit: day (3) Serial No.
*2 Expression of RoHS marking: ROHS-    Y    ( $\Delta$ ) (1)        (2)	(1) RoHS regulation conformity (2) Murata classification number

### 9.7 Marking on outer box (corrugated box)

Customer name, purchasing order number, customer part number, Murata part number, RoHS marking (\*2), quantity, etc.

### 9.8 Specification of outer box



Dimensions of outer box (mm)			Standard reel quantity in outer box (reel)
W	D	H	
186	186	93	5
* Above outer box size is typical. It depends on a quantity of an order.			

## 10. ⚠Caution

### 10.1 Restricted applications

Please contact us before using our products for the applications listed below which require especially high reliability for the prevention of defects which might directly cause damage to the third party's life, body or property.

- |                               |   |                              |   |
|-------------------------------|---|------------------------------|---|
| (1) Aircraft equipment        | (2) Aerospace equipment   | (3) Undersea equipment       | (4) Power plant control equipment       |
| (5) Medical equipment         | (6) Transportation equipment (trains, ships, etc.)  | (7) Traffic signal equipment | (8) Disaster/crime prevention equipment |
| (9) Data-processing equipment | (10) Applications of similar complexity and/or reliability requirements to the applications listed in the above |                              |   |

### 10.2 Precautions on rating

Avoid using in exceeded the rated temperature range, rated voltage, or rated current. Usage when the ratings are exceeded could lead to wire breakage, burning, or other serious fault.

**10.3 Inrush current**

If an inrush current (or pulse current or rush current) that significantly exceeds the rated current is applied to the product, overheating could occur, resulting in wire breakage, burning, or other serious fault.

**10.4 Fail-safe**

Be sure to provide an appropriate fail-safe function on your product to prevent a second damage that may be caused by the abnormal function or the failure of our product.

**10.5 Corrosive gas**

Please refrain from use since contact with environments with corrosive gases (sulfur gas [hydrogen sulfide, sulfur dioxide, etc.], chlorine, ammonia, etc.) or oils (cutting oil, silicone oil, etc.) that have come into contact with the previously stated corrosive gas environment will result in deterioration of product quality or an open from deterioration due to corrosion of product electrode, etc. We will not bear any responsibility for use under these environments.

**11. Precautions for Use**

This product is designed to be mounted by soldering. If you want to use other mounting method, for example, using a conductive adhesive, please consult us beforehand.

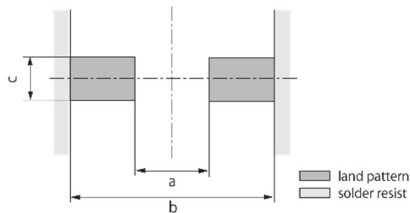
Also, if repeatedly subjected to temperature cycles or other thermal stress, due to the difference in the coefficient of thermal expansion with the mounting substrate, the solder (solder fillet part) in the mounting part may crack.

The occurrence of cracks due to thermal stress is affected by the size of the land where mounted, the solder volume, and the heat dissipation of the mounting substrate. Carefully design it when a large change in ambient temperature is assumed.

**11.1 Land dimensions**

The following diagram shows the recommended land dimensions for flow and reflow soldering:

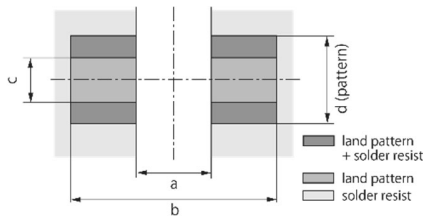
<Applied to types excluding BLM18P, BLM18S, BLM18K types>



	Flow	Reflow
a	0.8	0.7
b	2.5	2.0
c	0.7	0.7

(in mm)

<Applied to BLM18P, BLM18S, BLM18K types>



	Flow	Reflow
a	0.8	0.7
b	2.5	2.0
c	0.7	0.7

(in mm)

Type	Rated current (A)	Pattern thickness and dimension d		
		18 μm	35 μm	70 μm
BLM18P BLM18S BLM18K	0.5 to 1.5	0.7	0.7	0.7
	1.7 to 2.5	1.2	0.7	0.7
	3 to 4	2.4	1.2	0.7
	5 to 6	6.4	3.3	1.65
BLM18SN	8	-	6.4	3.3
BLM18SP	1.2 to 6.0	-	6.4	-

If heat generation from patterns is large, please pay attention since the joint of products with substrates may deteriorate.

(in mm)

**11.2 Flux and solder used**

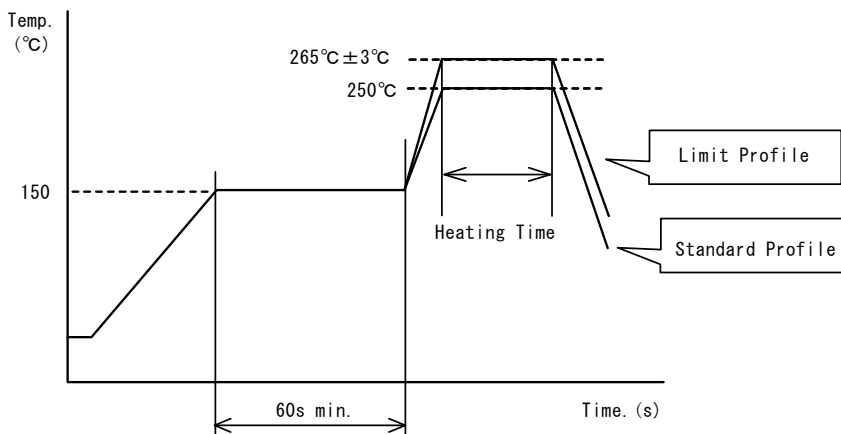
Flux	<ul style="list-style-type: none"> <li>• Use a rosin-based flux.</li> <li>• Do not use a highly acidic flux with a halide content exceeding 0.2(wt)% (chlorine conversion value).</li> <li>• Do not use a water-soluble flux.</li> </ul>
Solder	<ul style="list-style-type: none"> <li>• Use Sn-3.0Ag-0.5Cu solder.</li> <li>• Standard thickness of solder paste: 100 μm to 200 μm</li> </ul>

If you want to use a flux other than the above, please consult our technical department.

### 11.3 Soldering conditions (flow, reflow)

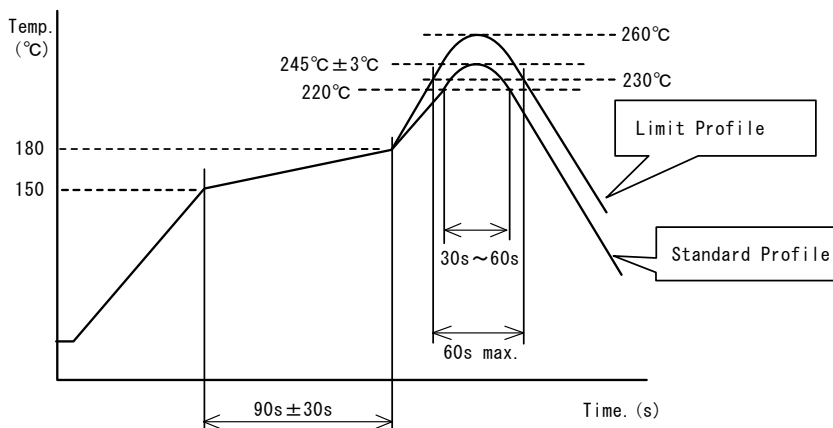
- Pre-heating should be in such a way that the temperature difference between solder and product surface is limited to 150°C max.  
Cooling into solvent after soldering also should be in such a way that the temperature difference is limited to 100°C max.  
Insufficient pre-heating may cause cracks on the product, resulting in the deterioration of product quality.
- Standard soldering profile and the limit soldering profile is as follows.  
The excessive limit soldering conditions may cause leaching of the electrode and/or resulting in the deterioration of product quality.

(1) Flow



	Standard profile	Limit profile
Pre-heating	150°C/60 s min.	150°C/60 s min.
Heating	250°C/4 s to 6 s	265°C±3°C/5 s
Number of flow cycles	2 times	2 times

(2) Reflow



	Standard profile	Limit profile
Pre-heating	150°C to 180°C/90 s±30 s	150°C to 180°C/90 s±30 s
Heating	Above 220°C/30 s to 60 s	Above 230°C/60 s max.
Peak temperature	245°C±3°C	260°C/10 s
Number of reflow cycles	2 times	2 times

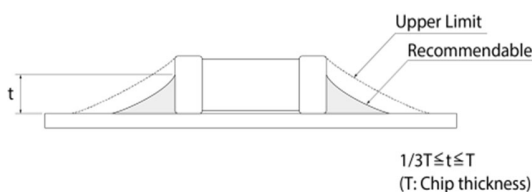
### 11.4 Reworking with soldering iron

The following requirements must be met to rework a soldered product using a soldering iron.

Item	Requirement
Pre-heating	150°C/approx. 1 min
Tip temperature of soldering iron	350°C max.
Power consumption of soldering iron	80 W max.
Tip diameter of soldering iron	ø3 mm max.
Soldering time	3 s (+1 s, -0 s)
Number of reworking operations	2 times max.
* Avoid a direct contact of the tip of the soldering iron with the product. Such a direction contact may cause cracks in the ceramic body due to thermal shock.	

### 11.5 Solder volume

Solder shall be used not to be exceeded the upper limits as shown below.



An increased solder volume increases mechanical stress on the product. Exceeding solder volume may cause the failure of mechanical or electrical performance.

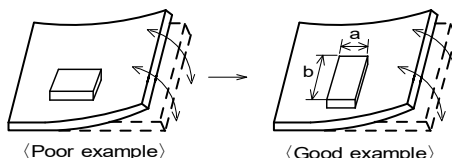
### 11.6 Product's location

The following shall be considered when designing and laying out PCBs.

(1) PCB shall be designed so that products are not subject to mechanical stress due to warping the board.

[Products direction]

Products shall be located in the sideways direction (length:  $a < b$ ) to the mechanical stress.

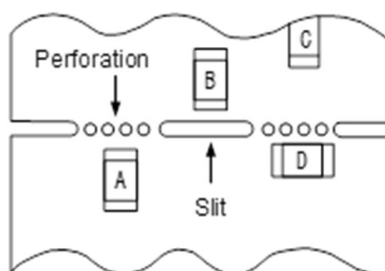


(2) Components location on PCB separation

It is effective to implement the following measures, to reduce stress in separating the board.

It is best to implement all of the following three measures; however, implement as many measures as possible to reduce stress.

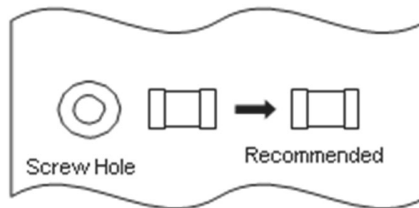
Contents of measures	Stress level
(1) Turn the mounting direction of the component parallel to the board separation surface.	$A > D^1$
(2) Add slits in the board separation part.	$A > B$
(3) Keep the mounting position of the component away from the board separation surface.	$A > C$
*1 $A > D$ is valid when stress is added vertically to the perforation as with hand separation. If a cutting disc is used, stress will be diagonal to the PCB, therefore $A > D$ is invalid.	



**(3) Mounting components near screw holes**

When a component is mounted near a screw hole, it may be affected by the board deflection that occurs during the tightening of the screw.

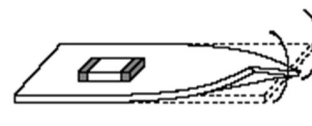
Mount the component in a position as far away from the screw holes as possible.

**11.7 Handling of substrate**

After mounting products on a substrate, do not apply any stress to the product caused by bending or twisting to the substrate when cropping the substrate, inserting and removing a connector from the substrate or tightening screw to the substrate. Excessive mechanical stress may cause cracking in the product.



Bending



Twisting

**11.8 Cleaning**

Excessive ultrasonic oscillation during cleaning can cause the PCBs to resonate, resulting in cracked chips or broken solder joints. Before starting your production process, test your cleaning equipment / process to insure it does not degrade this product.

**11.9 Storage and transportation**

Storage period	Use the product within 6 months after delivery. If you do not use the product for more than 6 months, check solderability before using it.
Storage conditions	<ul style="list-style-type: none"> <li>The products shall be stored in a room not subject to rapid changes in temperature and humidity. The recommended temperature range is -10°C to +40°C. The recommended relative humidity range is 15% to 85%.</li> <li>Keeping the product in corrosive gases, such as sulfur, chlorine gas or acid may cause the poor solderability.</li> <li>Do not place the products directly on the floor; they should be placed on a palette so that they are not affected by humidity or dust.</li> <li>Avoid keeping the products in a place exposed to direct sunlight, heat or vibration.</li> <li>Do not keep products in bulk packaging. Bulk storage could result in collisions between the products or between the products and other parts, resulting in chipping or wire breakage.</li> <li>Avoid storing the product by itself bare (i.e. exposed directly to air).</li> </ul>
Transportation	Excessive vibration and impact reduces the reliability of the products. Exercise caution when handling the products.

**11.10 Resin coating (including moisture-proof coating)**

When the product is coated/molded with resin, its electrical characteristics may change.

A wire breakage issue may occur by mechanical stress caused by the resin, amount/cured shape of resin, or operating condition etc.

Some resins contain impurities or hydrolyzable chlorine, which could result in corrosion of the conducting materials, leading to wire breakage.

So, please pay your careful attention when you select resin in case of coating/molding the products with the resin.

Prior to use the coating resin, please make sure no reliability issue is observed by evaluating products mounted on your board.

**11.11 Mounting conditions**

Check the mounting condition before using.

Using mounting conditions (nozzles, equipment conditions, etc.) that are not suitable for products may lead to pick up errors, misalignment, or damage to the product.

### 11.12 Operating environment

Do not use this product under the following environmental conditions as it may cause deterioration of product quality.

- (1) In the corrodible atmosphere such as acidic gases, alkaline gases, chlorine, sulfur gases, organic gases and etc.  
(the sea breeze, Cl<sub>2</sub>, H<sub>2</sub>S, NH<sub>3</sub>, SO<sub>2</sub>, NO<sub>2</sub>, etc)
- (2) In the atmosphere where liquid such as organic solvent, may splash on the products.
- (3) In the atmosphere where the temperature/humidity changes rapidly and it is easy to dew.

### 11.13 Mounting density

If this product is placed near heat-generating products, be sure to implement sufficient heat-dissipating measures.

If this product is subjected to a significant amount of heat from other products, this could adversely affect product quality, resulting in a circuit malfunction or failure of the mounted section. Also, be sure that the product is used in a manner so that the heat that the product is subjected to from other products does not exceed the upper limit of the rated operating temperature for the product.

## 13. Note

- (1) Please make sure that your product has been evaluated in view of your specifications with our product being mounted to your product.
- (2) You are requested not to use our product deviating from the reference specifications.
- (3) The contents of this reference specification are subject to change without advance notice. Please approve our product specifications or transact the approval sheet for product specifications before ordering.

## Looking for pricing, stock, or lifecycle information?

Click below to explore more details on WIN SOURCE:

- ⊖ [View BLM18KG700TZ1D on WIN SOURCE](#)
- ⊖ [Murata Electronics North America Information](#)

## Optimize Your Supply Chain with WIN SOURCE Solutions

- ✓ Global Sourcing Solution
- ✓ Obsolete Management
- ✓ Cost Control Management
- ✓ Shortage Management
- ✓ Alternative Solution
- ✓ Excess Inventory Management