



**THE DATASHEET OF
UVK1V101MED**

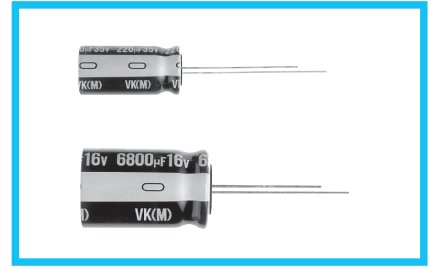
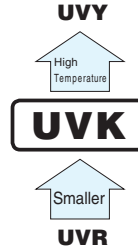


UVK

Miniature Sized



- One rank smaller case sizes than UVR.
- Compliant to the RoHS directive (2011/65/EU, (EU)2015/863).

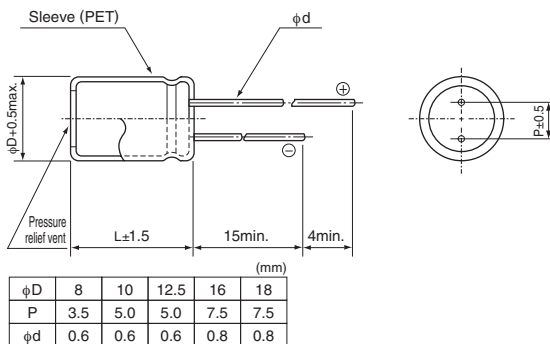


Specifications

Item	Performance Characteristics	
Category Temperature Range	-40 to +85°C (6.3V to 400V), -25°C to +85°C (450V)	
Rated Voltage Range	6.3 to 450V	
Rated Capacitance Range	22 to 22000µF	
Capacitance Tolerance	±20% at 120Hz, 20°C	
Leakage Current ※	Rated voltage (V)	6.3 to 100V
		160 to 450V
Tangent of loss angle (tan δ)	For capacitance of more than 1000µF, add 0.02 for every increase of 1000µF. Measurement frequency : 120Hz at 20°C	
	Rated voltage (V)	6.3 10 16 25 35 50 63 100 160 to 250 350 to 450
Stability at Low Temperature	Measurement frequency : 120Hz	
	Rated voltage (V)	6.3 10 16 25 35 50 to 100 160 to 200 250 to 350 400 450
Endurance	The specifications listed at right shall be met when the capacitors are restored to 20°C after the rated voltage is applied for 2000 hours at 85°C.	
	Capacitance change	tan δ
Shelf Life	After storing the capacitors under no load at 85°C for 1000 hours and then performing voltage treatment based on JIS C 5101-4 clause 4.1 at 20°C, they shall meet the specified values for the endurance characteristics listed above.	
	Marking	

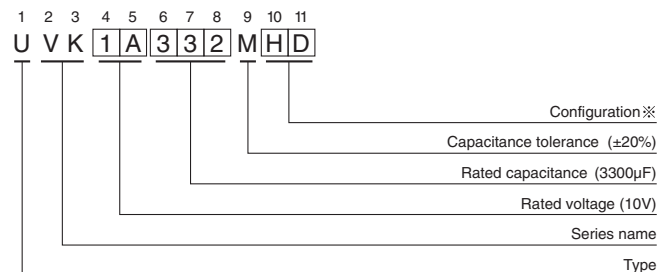
※ I : Leakage Current (µA), C : Rated Capacitance (µF), V : Rated Voltage (V)

Radial Lead Type



- Please refer to the Guidelines for Aluminum Electrolytic Capacitors for end seal configuration information.

Type numbering system (Example : 10V 3300µF)



※ Configuration

φ D	Pb-free leadwire Pb-free PET sleeve
8 · 10	PD
12.5 to 18	HD

Frequency coefficient of rated ripple current

V	Cap.(µF)	Frequency				
		50Hz	120Hz	300Hz	1 kHz	10kHz or more
6.3 to 100	33 to 68	0.75	1.00	1.35	1.57	2.00
	100 to 470	0.80	1.00	1.23	1.34	1.50
	1000 to 22000	0.85	1.00	1.10	1.13	1.15
160 to 450	2.2 to 220	0.80	1.00	1.25	1.40	1.60
	330 to 470	0.90	1.00	1.10	1.13	1.15

● Dimension table in next page.

UVK

■ Dimensions

Rated Voltage (V) (code)	Rated Capacitance (μ F)	Case Size ϕ D \times L (mm)	tan δ	Leakage Current (μ A)		Rated Ripple (mArms) (85°C/120Hz)	Part Number
				at 20°C after 1 minute	at 20°C after 2 minutes		
6.3 (0J)	1000	8 \times 11.5	0.28	189	63	540	UVK0J102MPD
	2200	10 \times 16	0.30	415.8	138.6	890	UVK0J222MPD
	3300	10 \times 20	0.32	623.7	207.9	1190	UVK0J332MPD
	4700	12.5 \times 20	0.34	888.3	296.1	1550	UVK0J472MHD
	6800	12.5 \times 25	0.38	1285.2	428.4	1920	UVK0J682MHD
	10000	16 \times 25	0.46	1890	630	2350	UVK0J103MHD
	15000	16 \times 30.5	0.56	2835	945	2550	UVK0J153MHD
	22000	18 \times 35.5	0.70	4158	1386	3200	UVK0J223MHD
10 (1A)	1000	10 \times 12.5	0.24	300	100	650	UVK1A102MPD
	2200	10 \times 16	0.26	660	220	990	UVK1A222MPD
	3300	12.5 \times 20	0.28	990	330	1450	UVK1A332MHD
	4700	12.5 \times 25	0.30	1410	470	1800	UVK1A472MHD
	6800	16 \times 25	0.34	2040	680	2250	UVK1A682MHD
	10000	16 \times 30.5	0.42	3000	1000	2550	UVK1A103MHD
	15000	16 \times 35.5	0.52	4500	1500	2880	UVK1A153MHD
	22000	18 \times 40	0.66	6600	2200	3400	UVK1A223MHD
16 (1C)	470	8 \times 11.5	0.20	225.6	75.2	440	UVK1C471MPD
	1000	10 \times 12.5	0.20	480	160	700	UVK1C102MPD
	2200	10 \times 20	0.22	1056	352	1000	UVK1C222MPD
	3300	12.5 \times 25	0.24	1584	528	1700	UVK1C332MHD
	4700	16 \times 25	0.26	2256	752	2100	UVK1C472MHD
	6800	16 \times 25	0.30	3264	1088	2250	UVK1C682MHD
	10000	16 \times 35.5	0.38	4800	1600	2710	UVK1C103MHD
	15000	18 \times 40	0.48	7200	2400	3100	UVK1C153MHD
25 (1E)	330	8 \times 11.5	0.16	247.5	82.5	390	UVK1E331MPD
	470	10 \times 12.5	0.16	352.5	117.5	550	UVK1E471MPD
	1000	10 \times 16	0.16	750	250	860	UVK1E102MPD
	2200	12.5 \times 25	0.18	1650	550	1550	UVK1E222MHD
	3300	16 \times 25	0.20	2475	825	1980	UVK1E332MHD
	4700	16 \times 25	0.22	3525	1175	2200	UVK1E472MHD
	6800	16 \times 35.5	0.26	5100	1700	2600	UVK1E682MHD
	10000	18 \times 40	0.34	7500	2500	2800	UVK1E103MHD
35 (1V)	220	8 \times 11.5	0.14	231	77	350	UVK1V221MPD
	330	10 \times 12.5	0.14	346.5	115.5	490	UVK1V331MPD
	470	10 \times 16	0.14	493.5	164.5	650	UVK1V471MPD
	1000	12.5 \times 20	0.14	1050	350	1150	UVK1V102MHD
	2200	16 \times 25	0.16	2310	770	1800	UVK1V222MHD
	3300	16 \times 30.5	0.18	3465	1155	2100	UVK1V332MHD
	4700	16 \times 35.5	0.20	4935	1645	2500	UVK1V472MHD
	6800	18 \times 40	0.24	7140	2380	2800	UVK1V682MHD
50 (1H)	100	8 \times 11.5	0.12	150	50	260	UVK1H101MPD
	220	10 \times 12.5	0.12	330	110	430	UVK1H221MPD
	330	10 \times 16	0.12	495	165	590	UVK1H331MPD
	470	10 \times 20	0.12	705	235	760	UVK1H471MPD
	1000	12.5 \times 25	0.12	1500	500	1350	UVK1H102MHD
	2200	16 \times 30.5	0.14	3300	1100	1980	UVK1H222MHD
	3300	18 \times 35.5	0.16	4950	1650	2500	UVK1H332MHD

For cut leads, formed leads or taped parts, please add the appropriate code after the size code (12th digit).
If there is no size code in the part number, please add size code "1" and then add the appropriate code.

UVK

■ Dimensions

Rated Voltage (V) (code)	Rated Capacitance (μ F)	Case Size ϕ D \times L (mm)	tan δ	Leakage Current (μ A)		Rated Ripple (mArms) (85°C/120Hz)	Part Number
				at 20°C after 1 minute	at 20°C after 2 minutes		
63 (1J)	68	8 \times 11.5	0.10	128.52	42.84	220	UVK1J680MPD
	100	8 \times 11.5	0.10	189	63	280	UVK1J101MPD
	220	10 \times 16	0.10	415.8	138.6	490	UVK1J221MPD
	330	10 \times 20	0.10	623.7	207.9	710	UVK1J331MPD
	470	12.5 \times 20	0.10	888.3	296.1	900	UVK1J471MHD
	1000	16 \times 25	0.10	1890	630	1300	UVK1J102MHD
	2200	18 \times 35.5	0.12	4158	1386	2300	UVK1J222MHD
100 (2A)	33	8 \times 11.5	0.08	99	33	180	UVK2A330MPD
	47	8 \times 11.5	0.08	141	47	200	UVK2A470MPD
	68	10 \times 12.5	0.08	204	68	270	UVK2A680MPD
	100	10 \times 16	0.08	300	100	340	UVK2A101MPD
	220	12.5 \times 20	0.08	660	220	550	UVK2A221MHD
	330	12.5 \times 25	0.08	990	330	760	UVK2A331MHD
	470	16 \times 25	0.08	1410	470	1000	UVK2A471MHD
	1000	18 \times 35.5	0.08	3000	1000	1350	UVK2A102MHD
160 (2C)	10	8 \times 11.5	0.20	164	—	80	UVK2C100MPD
	22	10 \times 12.5	0.20	240.8	—	130	UVK2C220MPD
	33	10 \times 16	0.20	311.2	—	180	UVK2C330MPD
	47	10 \times 20	0.20	400.8	—	210	UVK2C470MPD
	68	12.5 \times 20	0.20	535.2	—	350	UVK2C680MHD
	100	12.5 \times 25	0.20	740	—	430	UVK2C101MHD
	220	16 \times 30.5	0.20	1508	—	580	UVK2C221MHD
	330	18 \times 35.5	0.20	2212	—	800	UVK2C331MHD
	470	18 \times 40	0.20	3108	—	1200	UVK2C471MHD
200 (2D)	10	8 \times 11.5	0.20	180	—	80	UVK2D100MPD
	22	10 \times 16	0.20	276	—	150	UVK2D220MPD
	33	10 \times 20	0.20	364	—	200	UVK2D330MPD
	47	12.5 \times 20	0.20	476	—	270	UVK2D470MHD
	68	12.5 \times 25	0.20	644	—	350	UVK2D680MHD
	100	16 \times 25	0.20	900	—	450	UVK2D101MHD
	220	16 \times 35.5	0.20	1860	—	700	UVK2D221MHD
	330	18 \times 40	0.20	2740	—	950	UVK2D331MHD
250 (2E)	10	10 \times 12.5	0.20	200	—	100	UVK2E100MPD
	22	10 \times 20	0.20	320	—	150	UVK2E220MPD
	33	10 \times 20	0.20	430	—	200	UVK2E330MPD
	47	12.5 \times 20	0.20	570	—	270	UVK2E470MHD
	68	16 \times 25	0.20	780	—	380	UVK2E680MHD
	100	16 \times 25	0.20	1100	—	440	UVK2E101MHD
	220	18 \times 35.5	0.20	2300	—	680	UVK2E221MHD

For cut leads, formed leads or taped parts, please add the appropriate code after the size code (12th digit).
If there is no size code in the part number, please add size code "1" and then add the appropriate code.

UVK

■ Dimensions



Rated Voltage (V) (code)	Rated Capacitance (μ F)	Case Size ϕ D \times L (mm)	tan δ	Leakage Current (μ A)		Rated Ripple (mArms) (85°C/120Hz)	Part Number
				at 20°C after 1 minute	at 20°C after 2 minutes		
350 (2V)	3.3	8 \times 11.5	0.25	146.2	—	43	UVK2V3R3MPD
	4.7	8 \times 11.5	0.25	165.8	—	55	UVK2V4R7MPD
	10	10 \times 12.5	0.25	240	—	90	UVK2V100MPD
	22	12.5 \times 20	0.25	408	—	150	UVK2V220MHD
	33	12.5 \times 25	0.25	562	—	240	UVK2V330MHD
	47	16 \times 25	0.25	758	—	300	UVK2V470MHD
	68	16 \times 25	0.25	1052	—	400	UVK2V680MHD
	100	18 \times 35.5	0.25	1500	—	520	UVK2V101MHD
400 (2G)	2.2	8 \times 11.5	0.25	128	—	38	UVK2G2R2MPD
	3.3	8 \times 11.5	0.25	152.8	—	48	UVK2G3R3MPD
	4.7	10 \times 12.5	0.25	175.2	—	60	UVK2G4R7MPD
	10	10 \times 16	0.25	260	—	90	UVK2G100MPD
	22	12.5 \times 25	0.25	452	—	200	UVK2G220MHD
	33	16 \times 25	0.25	628	—	240	UVK2G330MHD
	47	16 \times 25	0.25	852	—	280	UVK2G470MHD
	68	16 \times 30.5	0.25	1188	—	340	UVK2G680MHD
450 (2W)	100	18 \times 35.5	0.25	1700	—	440	UVK2G101MHD
	2.2	8 \times 11.5	0.25	139	—	28	UVK2W2R2MPD
	3.3	10 \times 12.5	0.25	159.4	—	40	UVK2W3R3MPD
	4.7	10 \times 12.5	0.25	184.6	—	46	UVK2W4R7MPD
	10	10 \times 20	0.25	280	—	80	UVK2W100MPD
	22	12.5 \times 25	0.25	496	—	140	UVK2W220MHD
	33	16 \times 25	0.25	694	—	180	UVK2W330MHD
	47	16 \times 30.5	0.25	946	—	220	UVK2W470MHD
	68	18 \times 35.5	0.25	1324	—	260	UVK2W680MHD
100	18 \times 40	0.25	1900	—	280	UVK2W101MHD	

For cut leads, formed leads or taped parts, please add the appropriate code after the size code (12th digit).
If there is no size code in the part number, please add size code "1" and then add the appropriate code.

- For formed lead or taped product specifications and minimum order quantity, please refer to the Guidelines for Aluminum Electrolytic Capacitors.

Looking for pricing, stock, or lifecycle information?

Click below to explore more details on WIN SOURCE:

-  [View UVK1V101MED](#) on WIN SOURCE
-  [Nichicon](#) Information

Optimize Your Supply Chain with WIN SOURCE Solutions

-  Global Sourcing Solution
-  Obsolete Management
-  Cost Control Management
-  Shortage Management
-  Alternative Solution
-  Excess Inventory Management