



**THE DATASHEET OF  
AH1807-P-A**



## Description

The AH1807 is a medium sensitivity micropower Omnipolar Hall Effect switch IC. It is designed for battery powered consumer products, home appliances, and industrial equipment such as smart meter magnetic tamper detect. Based on two Hall Effect plates and a chopper stabilized architecture, the AH1807 provides a reliable solution over the whole operating range. To support battery and low power applications, the design has been optimized to operate over the supply range of 2.5V to 5.5V and consumes only 24 $\mu$ W with a supply of 3V.

The single open drain output can be switched on with either a North or South pole of sufficient strength. When the magnetic flux density (B) perpendicular to the package is larger than operate point (Bop), the output is switched on (pulled low). The output is turned off when B becomes lower than the release point (Brp). The output will remain off when there is no magnetic field.

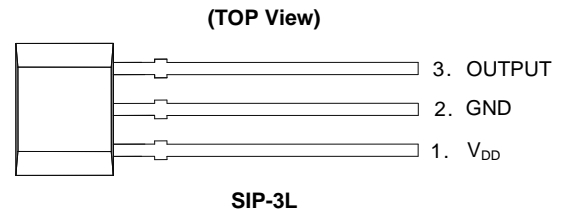
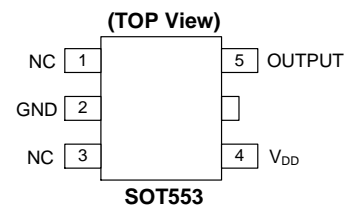
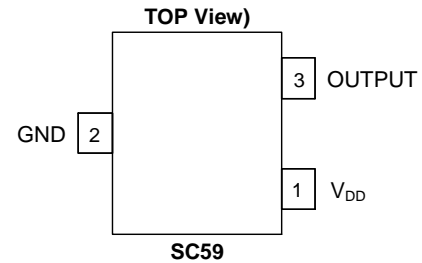
The AH1807 is available in SC59, SOT553 and SIP-3L.

## Features

- Omnipolar (North or South pole) Operation
- Medium Sensitivity
- Single Open Drain Output
- Micropower Operation
- 2.5V to 5.5V Operating Range
- Chopper Stabilized Design Provides:
  - Superior Temperature Stability
  - Minimal Switch Point Drift
  - Enhanced Immunity to Stress
- Good RF Noise immunity
- -40°C to +125°C Operating Temperature
- High ESD
- Small Low Profile SOT553 and Industry Standard SC59 and SIP-3L Packages
- **Totally Lead-Free & Fully RoHS Compliant (Notes 1 & 2)**
- **Halogen and Antimony Free. "Green" Device (Note 3)**

- Notes:
1. No purposely added lead. Fully EU Directive 2002/95/EC (RoHS) & 2011/65/EU (RoHS 2) compliant.
  2. See [http://www.diodes.com/quality/lead\\_free.html](http://www.diodes.com/quality/lead_free.html) for more information about Diodes Incorporated's definitions of Halogen- and Antimony-free, "Green" and Lead-free.
  3. Halogen- and Antimony-free "Green" products are defined as those which contain <900ppm bromine, <900ppm chlorine (<1500ppm total Br + Cl) and <1000ppm antimony compounds.

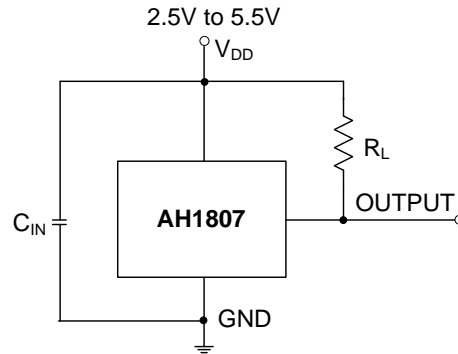
## Pin Assignments



## Applications

- Smart E-Meters
- Tamper Protection Switch
- Door, Lids and Tray Position Switch
- Proximity and Position Switches
- Level Detects
- On/Off Switch Digital Contact-Less Switch in Industrial and Consumer Products

## Typical Applications Circuit



Note: 4.  $C_{IN}$  is for power stabilization and to strengthen the noise immunity, the recommended capacitance is 10nF to 100nF.  
 $R_L$  is the pull-up resistor, the recommended resistance is 10k $\Omega$  to 100k $\Omega$ .

## Pin Descriptions

Package: SC59 and SIP-3L

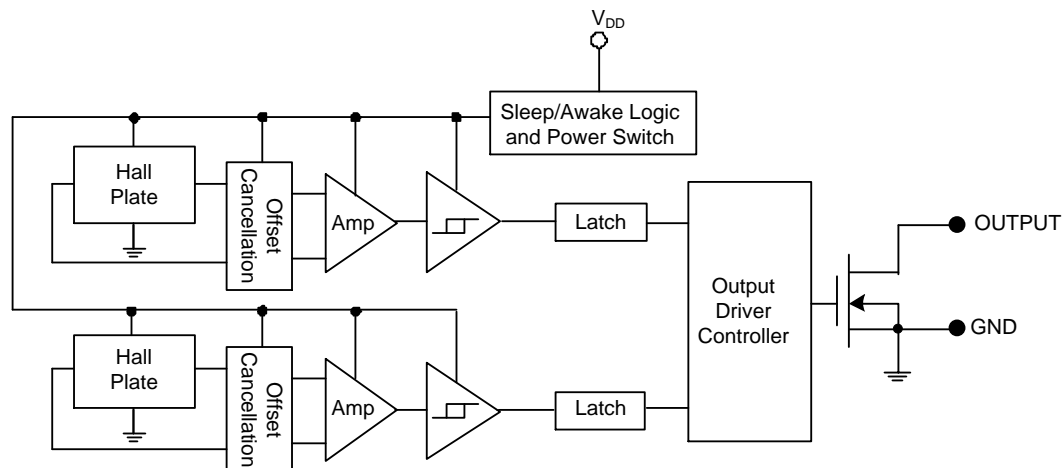
| Pin Number | Pin Name        | Function           |
|------------|-----------------|--------------------|
| 1          | V <sub>DD</sub> | Power Supply Input |
| 2          | GND             | Ground             |
| 3          | OUTPUT          | Output Pin         |

Package: SOT553

| Pin Number | Pin Name        | Function               |
|------------|-----------------|------------------------|
| 1          | NC              | No Connection (Note 5) |
| 2          | GND             | Ground                 |
| 3          | NC              | No Connection (Note 5) |
| 4          | V <sub>DD</sub> | Power Supply Input     |
| 5          | OUTPUT          | Output                 |

Note: 5. NC is "No Connection" pin and is not connected internally. This pin can be left open or tied to ground.

## Functional Block Diagram



**Absolute Maximum Ratings** (Note 6) (@ $T_A = +25^\circ\text{C}$ , unless otherwise specified.)

| Symbol         | Characteristics                  | Values          | Unit             |    |
|----------------|----------------------------------|-----------------|------------------|----|
| $V_{DD}$       | Supply Voltage (Note 7)          | 7               | V                |    |
| $V_{OUT}$      | Output Pin Voltage (Note 7)      | 7               | V                |    |
| $V_{DD\_REV}$  | Reverse Supply Voltage           | -0.3            | V                |    |
| $V_{OUT\_REV}$ | Reverse Output Pin Voltage       | -0.3            | V                |    |
| $I_{OUTPUT}$   | Output Current (source and sink) | 2.5             | mA               |    |
| B              | Magnetic Flux Density            | Unlimited       |                  |    |
| $P_D$          | Package Power Dissipation        | SC59 and SOT553 | 230              | mW |
|                |                                  | SIP-3L          | 230              |    |
| $T_s$          | Storage Temperature Range        | -65 to +150     | $^\circ\text{C}$ |    |
| $T_J$          | Maximum Junction Temperature     | 150             | $^\circ\text{C}$ |    |
| ESD HBM        | Human Body Model ESD Capability  | 6               | kV               |    |

- Notes:
- Stresses greater than the 'Absolute Maximum Ratings' specified above may cause permanent damage to the device. These are stress ratings only; functional operation of the device at these or any other conditions exceeding those indicated in this specification is not implied. Device reliability may be affected by exposure to absolute maximum rating conditions for extended periods of time.
  - The absolute maximum  $V_{DD}$  of 7V is a transient stress rating and is not meant as a functional operating condition. It is not recommended to operate the device at the absolute maximum rated conditions for any period of time.

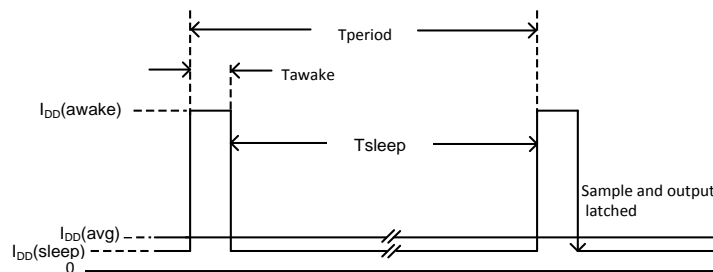
**Recommended Operating Conditions** (@ $T_A = +25^\circ\text{C}$ , unless otherwise specified.)

| Symbol         | Characteristic              | Conditions | Rating      | Unit             |
|----------------|-----------------------------|------------|-------------|------------------|
| $V_{DD}$       | Supply Voltage              | Operating  | 2.5 to 5.5  | V                |
| $V_{OUT\_MAX}$ | Maximum output pin voltage  | Operating  | 5.5         | V                |
| $T_A$          | Operating Temperature Range | Operating  | -40 to +125 | $^\circ\text{C}$ |

**Electrical Characteristics** (@ $T_A = +25^\circ\text{C}$ ,  $V_{DD} = 3\text{V}$ , unless otherwise specified.)

| Symbol                 | Characteristic                 | Conditions  | Min | Typ   | Max | Unit          |
|------------------------|--------------------------------|---|-----|-------|-----|---------------|
| $V_{OUT\_ON}$          | Output On Voltage ( $V_{OL}$ ) | $I_{OUT} = 1\text{mA}$  | —   | 0.1   | 0.3 | V             |
| $I_{OFF}$              | Output Leakage Current         | $V_{OUT} = 5.5\text{V}$ , Output off  | —   | < 0.1 | 1   | $\mu\text{A}$ |
| $I_{DD}(\text{awake})$ | Supply Current                 | During 'awake' period,<br>$T_A = +25^\circ\text{C}$ , $V_{DD} = 3\text{V}$                              | —   | 3     | 6   | mA            |
|                        |                                | During 'awake' period,<br>$T_A = -40$ to $+125^\circ\text{C}$ , $V_{DD} = 2.5\text{V}$ to $5.5\text{V}$ | —   | —     | 12  | mA            |
| $I_{DD}(\text{sleep})$ | Supply Current                 | During 'sleep' period,<br>$T_A = +25^\circ\text{C}$ , $V_{DD} = 3\text{V}$                              | —   | 5     | 10  | $\mu\text{A}$ |
| $I_{DD}(\text{sleep})$ |                                | During 'sleep' period,<br>$T_A = -40$ to $+125^\circ\text{C}$ , $V_{DD} = 2.5\text{V}$ to $5.5\text{V}$ | —   | —     | 28  | $\mu\text{A}$ |
| $I_{DD}(\text{avg})$   | Average Supply Current         | $T_A = 25^\circ\text{C}$ , $V_{DD} = 3\text{V}$   | —   | 8     | 16  | $\mu\text{A}$ |
|                        |                                | $T_A = -40$ to $+125^\circ\text{C}$ , $V_{DD} = 2.5\text{V}$ to $5.5\text{V}$                           | —   | -     | 40  | $\mu\text{A}$ |
| $T_{\text{awake}}$     | Awake Time                     | (Note 8)  | —   | 75    | 125 | $\mu\text{s}$ |
| $T_{\text{period}}$    | Period                         | (Note 8)  | —   | 75    | 125 | ms            |
| D.C.                   | Duty Cycle                     |   | —   | 0.1   | —   | %             |

- Note: 8. When power is initially turned on, the operating  $V_{DD}$  must be within its correct operating range (2.5V to 5.5V) to guaranteed the output sampling. The output state is valid after the second operating cycle (typical 150ms).

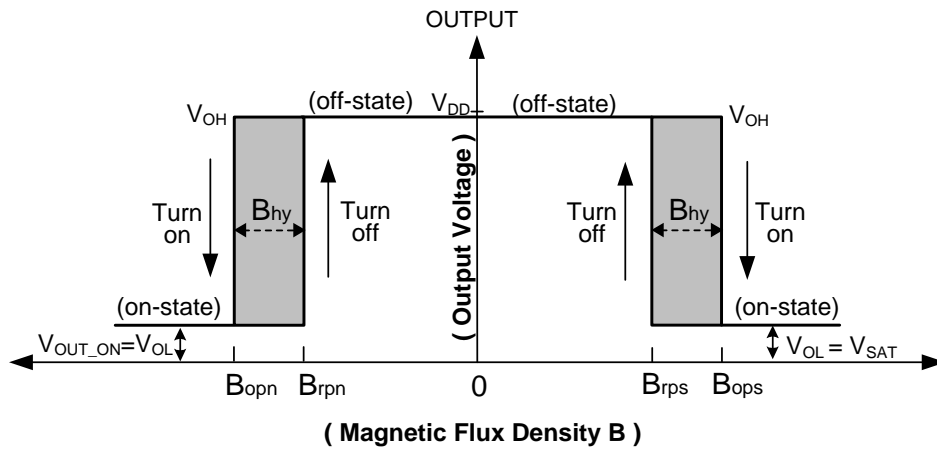


**Magnetic Characteristics** (Notes 9 & 10) (@ $T_A = +25^\circ\text{C}$ ,  $V_{DD} = 2.5\text{V}$  to  $5.5\text{V}$ , unless otherwise specified.)

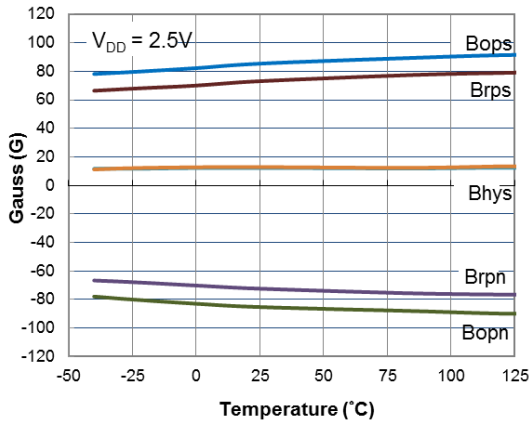
(1mT=10 Gauss)

| Symbol                                 | Characteristics      | Test Condition                                    | Min  | Typ | Max | Unit  |
|--|----------------------|---|------|-----|-----|-------|
| Bops (south pole to part marking side) | Operation Point      | $T_A = +25^\circ\text{C}$                         | 60   | 80  | 105 | Gauss |
|  |                      | $T_A = -40^\circ\text{C}$ to $+125^\circ\text{C}$ | 50   | 80  | 115 |       |
| Bopn (north pole to part marking side) |                      | $T_A = +25^\circ\text{C}$                         | -105 | -80 | -60 |       |
|  |                      | $T_A = -40^\circ\text{C}$ to $+125^\circ\text{C}$ | -115 | -80 | -50 |       |
| Brps (south pole to part marking side) | Release Point        | $T_A = +25^\circ\text{C}$                         | 50   | 65  | 90  |       |
|  |                      | $T_A = -40^\circ\text{C}$ to $+125^\circ\text{C}$ | 40   | 65  | 100 |       |
| Brpn (north pole to part marking side) |                      | $T_A = +25^\circ\text{C}$                         | -90  | -65 | -50 |       |
|  |                      | $T_A = -40^\circ\text{C}$ to $+125^\circ\text{C}$ | -100 | -65 | -40 |       |
| Bhy ( $ B_{opx}  -  B_{rpx} $ )        | Hysteresis (Note 11) | $T_A = +25^\circ\text{C}$                         | 10   | 15  | 20  |       |
|  |                      | $T_A = -40^\circ\text{C}$ to $+125^\circ\text{C}$ | 5    | 15  | —   |       |

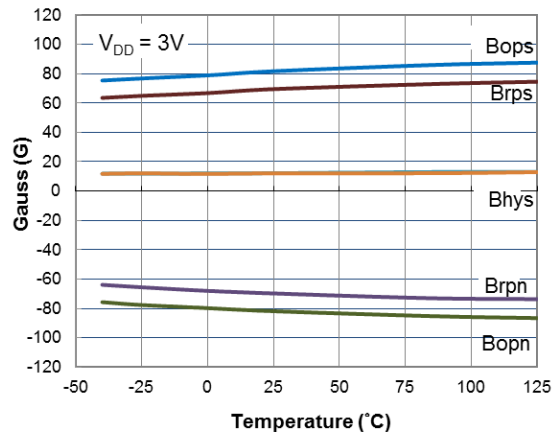
- Notes:
- 9. Typical data is at  $T_A = +25^\circ\text{C}$ ,  $V_{DD} = 3\text{V}$ .
  - 10. Parameters values over operating temperature range are not tested in production, they are guaranteed by design, process control and characterization. The magnetic characteristics may vary with supply voltage, operating temperature and after soldering.
  - 11. Maximum and minimum hysteresis is guaranteed by design and characterization.



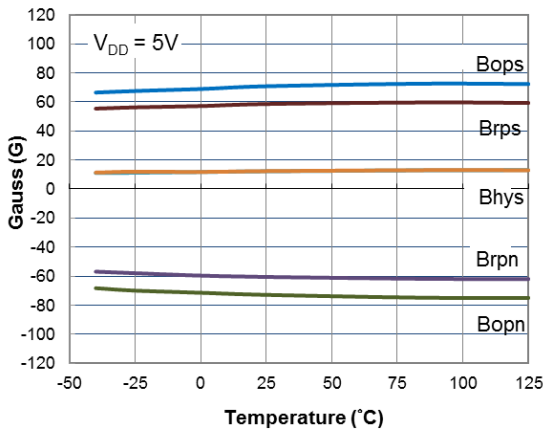
**Typical Operating Characteristics**



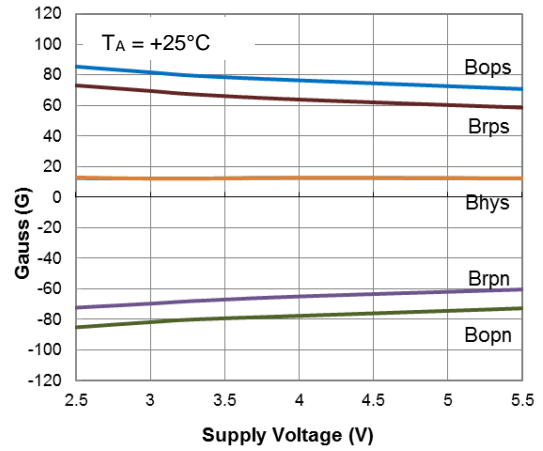
Switch Points vs Temperature



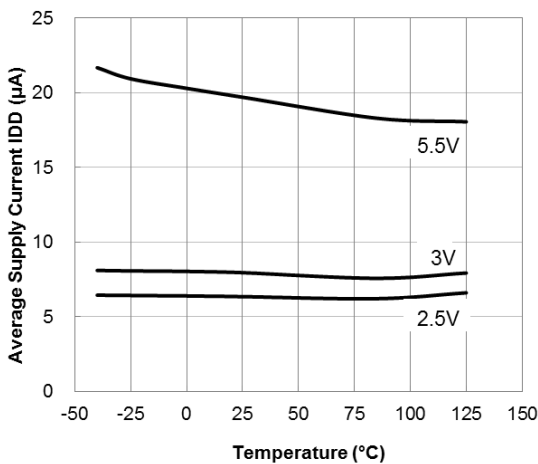
Switch Points vs Temperature



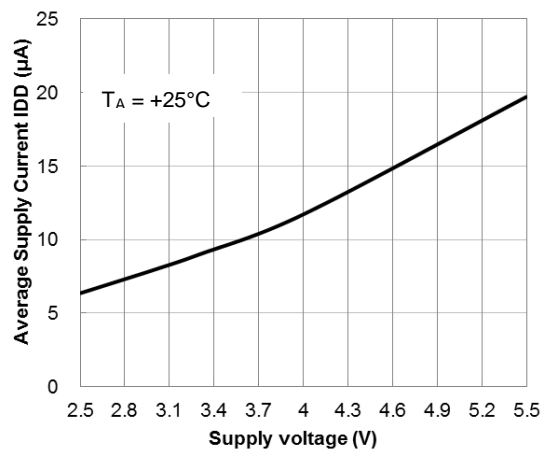
Switch Points vs Temperature



Switch Points vs Supply Voltage



Average Supply Current vs. Temperature

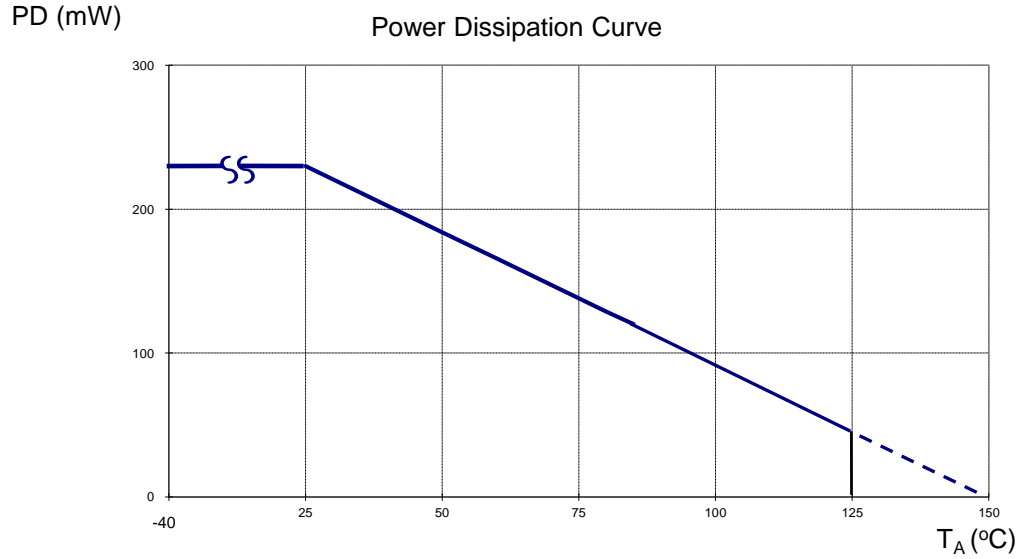


Average Supply Current vs. Supply Voltage

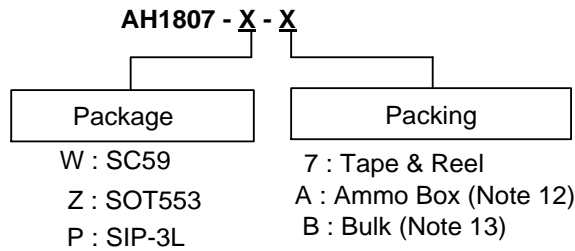
**Thermal Performance Characteristics**

(1) Package type: SC59, SOT553 and SIP-3L

|                     |     |     |     |     |     |     |     |     |     |     |     |     |     |
|---------------------|-----|-----|-----|-----|-----|-----|-----|-----|-----|-----|-----|-----|-----|
| T <sub>A</sub> (°C) | 25  | 50  | 60  | 70  | 80  | 85  | 90  | 100 | 110 | 120 | 130 | 140 | 150 |
| P <sub>D</sub> (mW) | 230 | 184 | 166 | 147 | 129 | 120 | 110 | 92  | 74  | 55  | 37  | 18  | 0   |



**Ordering Information**



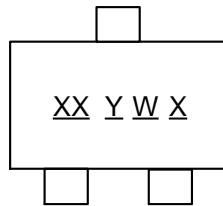
| Device     | Package Code | Packaging | Bulk     |                    | 7" Tape and Reel  |                    | Ammo Box  |                    |
|------------|--------------|-----------|----------|--------------------|-------------------|--------------------|-----------|--------------------|
|            |              |           | Quantity | Part Number Suffix | Quantity          | Part Number Suffix | Quantity  | Part Number Suffix |
| AH1807-W-7 | W            | SC59      | NA       | NA                 | 3,000/Tape & Reel | -7                 | NA        | NA                 |
| AH1807-Z-7 | Z            | SOT553    | NA       | NA                 | 3,000/Tape & Reel | -7                 | NA        | NA                 |
| AH1807-P-B | P            | SIP-3L    | 1000     | -B                 | NA                | NA                 | NA        | NA                 |
| AH1807-P-A | P            | SIP-3L    | NA       | NA                 | NA                | NA                 | 4,000/Box | -A                 |

Notes: 12. Ammo Box is for SIP-3L Spread Lead.  
13. Bulk is for SIP-3L Straight Lead.

**Marking Information**

(1) Package Type: SC59

( Top View )

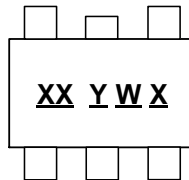


XX : Identification code  
Y : Year 0 to 9  
W : Week : A to Z : 1 to 26 week;  
a to z : 27 to 52 week; z represents  
52 and 53 week  
X : Internal Code

| Part Number | Package | Identification Code |
|-------------|---------|---------------------|
| AH1807      | SC59    | H7                  |

(2) Package Type: SOT553

( Top View )

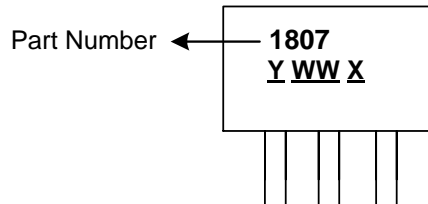


XX : Identification Code  
Y : Year : 0 to 9  
W : Week : A to Z : 1~26 week;  
a to z : 27~52 week; z represents  
52 and 53 week  
X : Internal code

| Part Number | Package | Identification Code |
|-------------|---------|---------------------|
| AH1807      | SOT553  | J7                  |

(3) Package Type: SIP-3L

(Top View)

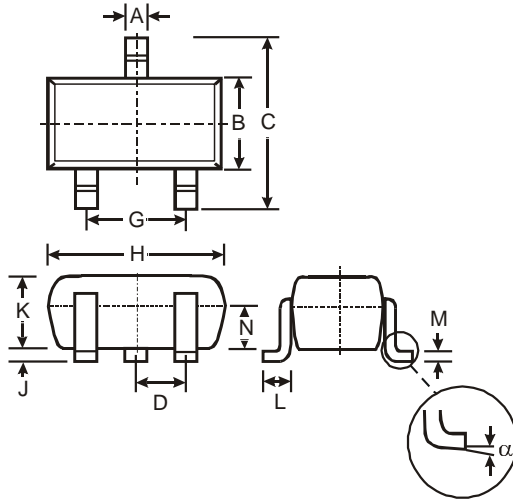


Y : Year : 0~9  
WW : Week : 01~52, "52" represents  
52 and 53 week  
X : Internal Code

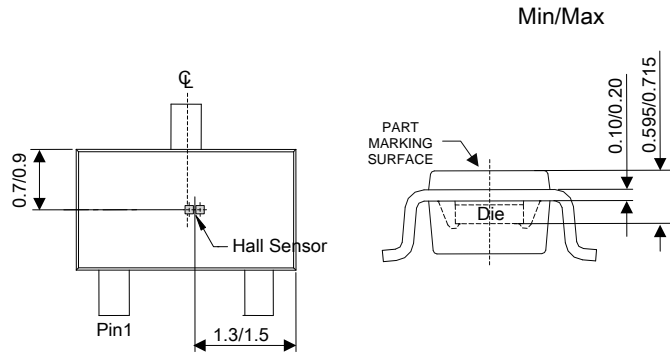
**Package Outline Dimensions** (All dimensions in mm.)

Please see AP02002 at <http://www.diodes.com/datasheets/ap02002.pdf> for the latest version.

(1) Package Type: SC59



| SC59                 |       |      |      |
|----------------------|-------|------|------|
| Dim                  | Min   | Max  | Typ  |
| A                    | 0.35  | 0.50 | 0.38 |
| B                    | 1.50  | 1.70 | 1.60 |
| C                    | 2.70  | 3.00 | 2.80 |
| D                    | -     | -    | 0.95 |
| G                    | -     | -    | 1.90 |
| H                    | 2.90  | 3.10 | 3.00 |
| J                    | 0.013 | 0.10 | 0.05 |
| K                    | 1.00  | 1.30 | 1.10 |
| L                    | 0.35  | 0.55 | 0.40 |
| M                    | 0.10  | 0.20 | 0.15 |
| N                    | 0.70  | 0.80 | 0.75 |
| α                    | 0°    | 8°   | -    |
| All Dimensions in mm |       |      |      |

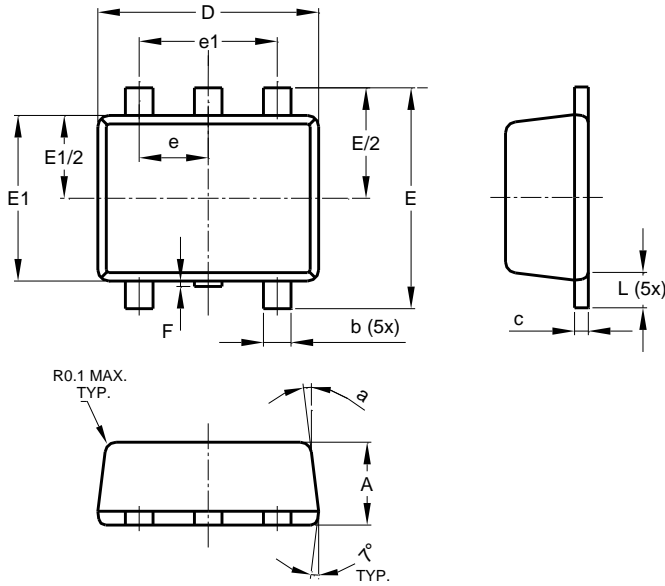


**Sensor Location**

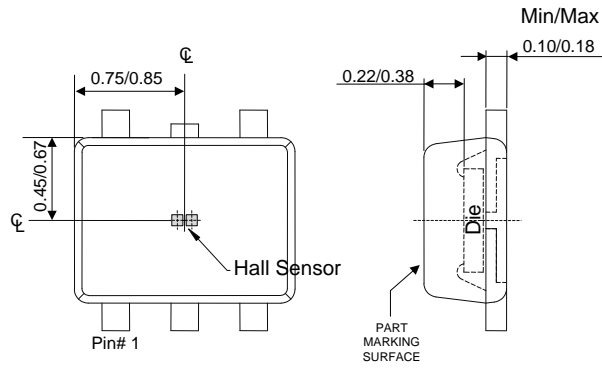
**Package Outline Dimensions** (All dimensions in mm.)

Please see AP02002 at <http://www.diodes.com/datasheets/ap02002.pdf> for latest version.

(2) Package Type: SOT553



| SOT553                      |          |      |      |
|-----------------------------|----------|------|------|
| Dim                         | Min      | Max  | Typ  |
| A                           | 0.55     | 0.62 | 0.60 |
| b                           | 0.15     | 0.30 | 0.20 |
| c                           | 0.10     | 0.18 | 0.15 |
| D                           | 1.50     | 1.70 | 1.60 |
| E                           | 1.55     | 1.70 | 1.60 |
| E1                          | 1.10     | 1.25 | 1.20 |
| e                           | 0.50 BSC |      |      |
| e1                          | 1.00 BSC |      |      |
| F                           | 0.00     | 0.10 | —    |
| L                           | 0.10     | 0.30 | 0.20 |
| a                           | 6°       | 8°   | 7°   |
| <b>All Dimensions in mm</b> |          |      |      |

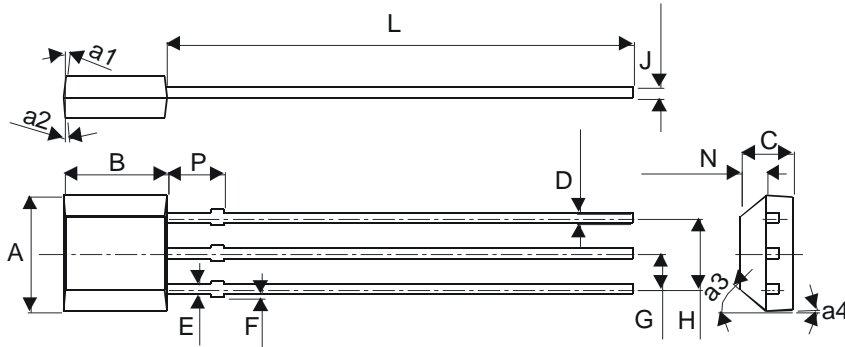


**Sensor Location**

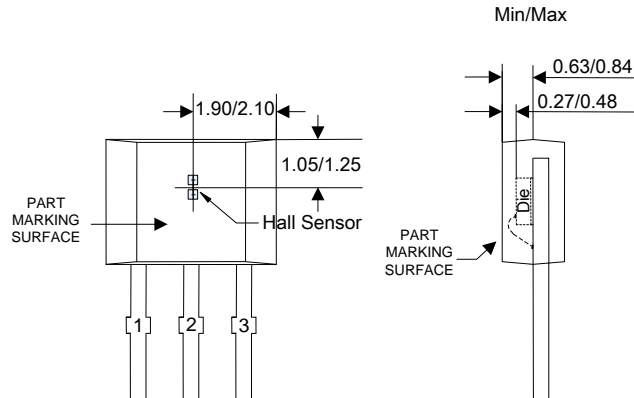
**Package Outline Dimensions** (cont.) (All dimensions in mm.)

Please see AP02002 at <http://www.diodes.com/datasheets/ap02002.pdf> for the latest version.

(3) Package Type: SIP-3L for Bulk Pack



| SIP-3 for Bulk Pack         |         |       |
|-----------------------------|---------|-------|
| Dim                         | Min     | Max   |
| A                           | 3.9     | 4.3   |
| a1                          | 5° Typ  |       |
| a2                          | 5° Typ  |       |
| a3                          | 45° Typ |       |
| a4                          | 3° Typ  |       |
| B                           | 2.8     | 3.2   |
| C                           | 1.40    | 1.60  |
| D                           | 0.33    | 0.432 |
| E                           | 0.40    | 0.508 |
| F                           | 0       | 0.2   |
| G                           | 1.24    | 1.30  |
| H                           | 2.51    | 2.57  |
| J                           | 0.35    | 0.43  |
| L                           | 14.0    | 15.0  |
| N                           | 0.63    | 0.84  |
| P                           | 1.55    | -     |
| <b>All Dimensions in mm</b> |         |       |

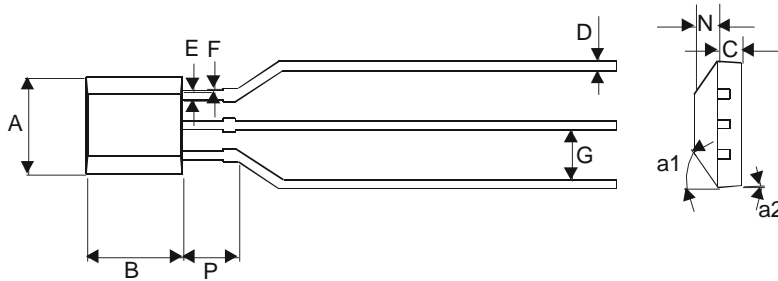


**Sensor location**

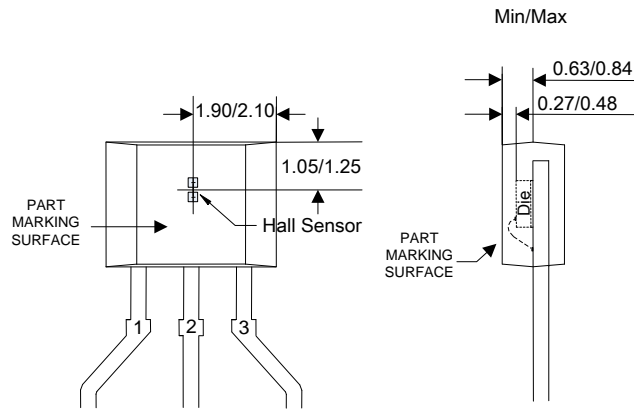
**Package Outline Dimensions** (cont.) (All dimensions in mm.)

Please see AP02002 at <http://www.diodes.com/datasheets/ap02002.pdf> for the latest version.

**(4) Package Type: SIP-3L for Ammo Pack**



| SIP-3<br>for Ammo Pack only |         |      |
|-----------------------------|---------|------|
| Dim                         | Min     | Max  |
| A                           | 3.9     | 4.3  |
| a1                          | 45° Typ |      |
| a2                          | 3° Typ  |      |
| B                           | 2.8     | 3.2  |
| C                           | 1.40    | 1.60 |
| D                           | 0.35    | 0.41 |
| E                           | 0.43    | 0.48 |
| F                           | 0       | 0.2  |
| G                           | 2.4     | 2.9  |
| N                           | 0.63    | 0.84 |
| P                           | 1.55    | -    |
| All Dimensions in mm        |         |      |

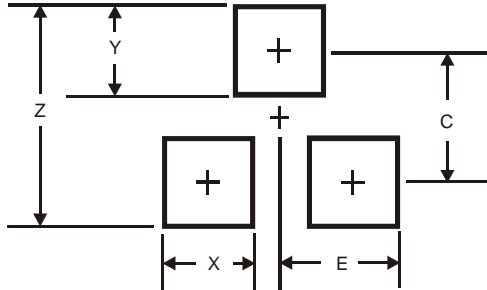


**Sensor location**

## Suggested Pad Layout

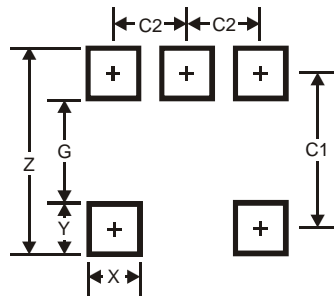
Please see AP02001 at <http://www.diodes.com/datasheets/ap02001.pdf> for the latest version.

### (1) Package Type: SC59



| Dimensions | Value (in mm) |
|------------|---------------|
| Z          | 3.4           |
| X          | 0.8           |
| Y          | 1             |
| C          | 2.4           |
| E          | 1.35          |

### (2) Package Type: SOT553



| Dimensions | Value (in mm) |
|------------|---------------|
| Z          | 2.2           |
| G          | 1.2           |
| X          | 0.375         |
| Y          | 0.5           |
| C1         | 1.7           |
| C2         | 0.5           |

**IMPORTANT NOTICE**

DIODES INCORPORATED MAKES NO WARRANTY OF ANY KIND, EXPRESS OR IMPLIED, WITH REGARDS TO THIS DOCUMENT, INCLUDING, BUT NOT LIMITED TO, THE IMPLIED WARRANTIES OF MERCHANTABILITY AND FITNESS FOR A PARTICULAR PURPOSE (AND THEIR EQUIVALENTS UNDER THE LAWS OF ANY JURISDICTION).

Diodes Incorporated and its subsidiaries reserve the right to make modifications, enhancements, improvements, corrections or other changes without further notice to this document and any product described herein. Diodes Incorporated does not assume any liability arising out of the application or use of this document or any product described herein; neither does Diodes Incorporated convey any license under its patent or trademark rights, nor the rights of others. Any Customer or user of this document or products described herein in such applications shall assume all risks of such use and will agree to hold Diodes Incorporated and all the companies whose products are represented on Diodes Incorporated website, harmless against all damages.

Diodes Incorporated does not warrant or accept any liability whatsoever in respect of any products purchased through unauthorized sales channel. Should Customers purchase or use Diodes Incorporated products for any unintended or unauthorized application, Customers shall indemnify and hold Diodes Incorporated and its representatives harmless against all claims, damages, expenses, and attorney fees arising out of, directly or indirectly, any claim of personal injury or death associated with such unintended or unauthorized application.

Products described herein may be covered by one or more United States, international or foreign patents pending. Product names and markings noted herein may also be covered by one or more United States, international or foreign trademarks.

This document is written in English but may be translated into multiple languages for reference. Only the English version of this document is the final and determinative format released by Diodes Incorporated.

**LIFE SUPPORT**

Diodes Incorporated products are specifically not authorized for use as critical components in life support devices or systems without the express written approval of the Chief Executive Officer of Diodes Incorporated. As used herein:

A. Life support devices or systems are devices or systems which:

1. are intended to implant into the body, or
2. support or sustain life and whose failure to perform when properly used in accordance with instructions for use provided in the labeling can be reasonably expected to result in significant injury to the user.

B. A critical component is any component in a life support device or system whose failure to perform can be reasonably expected to cause the failure of the life support device or to affect its safety or effectiveness.



Customers represent that they have all necessary expertise in the safety and regulatory ramifications of their life support devices or systems, and acknowledge and agree that they are solely responsible for all legal, regulatory and safety-related requirements concerning their products and any use of Diodes Incorporated products in such safety-critical, life support devices or systems, notwithstanding any devices- or systems-related information or support that may be provided by Diodes Incorporated. Further, Customers must fully indemnify Diodes Incorporated and its representatives against any damages arising out of the use of Diodes Incorporated products in such safety-critical, life support devices or systems.

Copyright © 2015, Diodes Incorporated

[www.diodes.com](http://www.diodes.com)

## Looking for pricing, stock, or lifecycle information?

Click below to explore more details on WIN SOURCE:

-  [View AH1807-P-A on WIN SOURCE](#)
-  [Diodes Incorporated Information](#)

## Optimize Your Supply Chain with WIN SOURCE Solutions

-  Global Sourcing Solution
-  Obsolete Management
-  Cost Control Management
-  Shortage Management
-  Alternative Solution
-  Excess Inventory Management