



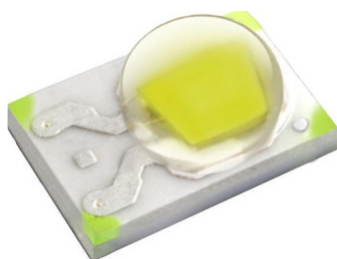
**THE DATASHEET OF
ELSH-F71G1-0LPNM-CG1G2**



Shuen 1W Series

炫

“Shuen [Xuan] is the English translation for the Chinese word meaning Bright and Shiny. Both words are relevant descriptions of this Everlight LED series. The modern, adaptive Chinese definition of the word represents that which is New, Extravagant, and Highly Sought After.”



Introduction

The Shuen series is a surface-mount high-power device featuring high brightness combined with a compact size that is suitable for all kinds of lighting applications such as general illumination, spot, signal, industrial and commercial lighting. The thermal pad of this device is electrically isolated providing convenience in thermal and electrical design. The Shuen series is one of the most promising devices in Everlight's high power product offering and is ready to face the challenges of today's Solid-State Lighting requirements.

Features

- ◆ Small package with high efficiency
- ◆ ESD protection up to 8KV
- ◆ Soldering method: SMT
- ◆ Binning Parameters: Brightness, Forward Voltage, Wavelength and Chromaticity
- ◆ Moisture Sensitivity Level: 1
- ◆ RoHS compliant
- ◆ Matches ANSI binning
- ◆ Reliability testing conforms to IESNA LM80 Lumen maintenance test method

Applications

- ◆ General Lighting
- ◆ Decorative and Entertainment Lighting
- ◆ Signal and Symbol Luminaries for orientation marker lights (e.g. steps, exit ways, etc.)
- ◆ Exterior and Interior Automotive Illumination
- ◆ Agriculture Lighting

Table of Contents

| | |
|--|----|
| Product Nomenclature | 3 |
| Absolute Maximum Ratings | 4 |
| JEDEC Moisture Sensitivity | 4 |
| Luminous Flux Characteristics for the Shuen series | 5 |
| PN of the Shuen series: White LEDs | 6 |
| PN of the Shuen High Luminous Series: White LEDs..... | 7 |
| PN of the Shuen series: Color LEDs..... | 9 |
| Optical Characteristics | 19 |
| Mechanical Dimension | 20 |
| Pad Configuration | 21 |
| Mechanical Dimension | 22 |
| Pad Configuration | 23 |
| Reflow Soldering Characteristics | 24 |
| Wavelength Characteristics | 25 |
| Typical Light Output Characteristic V.S. Thermal Pad Temperature..... | 27 |
| Typical Electrical Characteristics..... | 28 |
| Typical Relative Luminous Flux V.S. Forward Current | 29 |
| Typical Wavelength & CCT Shift Characteristics V.S. Forward Current..... | 31 |
| Relative Flux and Forward Voltage V.S. Junction Temperature..... | 34 |
| Current Derating Curves | 35 |
| Typical Radiation Patterns | 36 |
| Emitter Reel Packaging | 38 |
| Product Labeling | 38 |
| Storage Conditions..... | 39 |
| Revision History | 40 |

Product Nomenclature

The product name is designated as below:

ELSH – ABCDE – FGHIJ – V1234

Designation:

AB = min.luminous flux (lm) or radiation power (mW) performance

C = radiation pattern ^[1]

D = color ^[2]

E = power consumption ^[3]

F = reserved for future product offerings

G = internal coding

H = packaging type ^[4]

IJ = internal coding

V = forward voltage bin

1234 = color bin or CCT bin

Notes

1. Table of radiation patterns

| Symbol | Description |
|--------|-------------|
| 1 | Lambertian |

2. Table of color offerings:

| Symbol | Color | Dominant wavelength range/Peak wavelength/CCT |
|--------|---------------|---|
| R | Red | 620~635nm |
| O | Orange | 610~620nm |
| Y | Amber | 580~595nm |
| G | Green | 520~550nm |
| B | Blue | 450~470nm |
| L | Royal-Blue | 445~460nm |
| C | Cool-White | 4745~7050K |
| N | Neutral-White | 3710~4745K |
| M | Warm-White | 2580~3710K |
| E | Deep-Red | 645~675nm |
| F | Far-Red | 715~745nm |

3. Table of power consumptions:

| Symbol | Description |
|--------|-------------|
| 1 | 1W |

4. Table of packaging types:

| Symbol | Description |
|--------|-------------|
| P | Tape |

Absolute Maximum Ratings

| Parameter | Symbol | Ratings | Unit |
|------------------------------|-------------|---------------------------|--------|
| Max. DC Forward Current (mA) | I_F | 600 _[1] | mA |
| Max. Peak Pulse Current (mA) | I_{Pulse} | 1000 _[2] | mA |
| Max. ESD Resistance | V_B | 8000 | V |
| Reverse Voltage | V_R | Note 3 | V |
| Thermal Resistance | R_{th} | 10~12 _[4] | °C/W |
| Max. Junction Temperature | T_J | 125 _[5] | °C |
| Operating Temperature | T_{Opr} | -40 ~ +100 _[6] | °C |
| Storage Temperature | T_{Stg} | -40 ~ +100 | °C |
| Max. Soldering Temperature | T_{Sol} | 260 | °C |
| Allowable Reflow Cycles | n/a | 2 | cycles |

Notes:

1. Maximum forward current for 1W is 600mA (Thermal Pad=25°C).
2. Duty cycle = 1/10@1KHZ
3. The Shuen series LEDs are not designed for reverse bias use.
4. Thermal Resistance is 10°C/W for Blue, Royal-Blue, Green, Cool-White, Neutral-White, and Warm-White LEDs and 12°C/W for Deep-Red, Far-Red, Red, Amber, and Orange LEDs.
5. Maximum junction temperature of Cool-White, Neutral-White, Warm-White, Blue, Royal-Blue, Green, Deep-Red, Far-Red, Red, Amber, and Orange LEDs is 125°C.
6. Maximum Operating Temperature (Thermal Pad) of Cool-White, Neutral-White, Warm-White, Blue, Royal-Blue, Green, Deep-Red, Far-Red, Red, Amber, and Orange LEDs is 100°C.

JEDEC Moisture Sensitivity

| Level | Floor Life | | Soak Requirements Standard | |
|-------|--------------|-----------------|----------------------------|---------------|
| | Time (hours) | Conditions | Time (hours) | Conditions |
| 1 | unlimited | ≤ 30°C / 85% RH | 168 (+5/-0) | 85°C / 85% RH |

Luminous Flux Characteristics for the Shuen series

| Color | Part Number | 1W | |
|---------------|--------------|---|-----------------------|
| | | Minimum Luminous Flux(lm) or Radiometric Power(mW) ₍₁₎ | Drive Current (mA) |
| Cool White | ELSH – F81CX | 80 | 350 |
| | ELSH – F91CX | 90 | 350 |
| | ELSH – J11CX | 100 | 350 |
| | ELSH – J21CX | 110 | 350 |
| | ELSH – J31CX | 120 | 350 |
| Neutral White | ELSH – F81NX | 80 | 350 |
| | ELSH – F91NX | 90 | 350 |
| | ELSH – J11NX | 100 | 350 |
| Warm White | ELSH – F61MX | 60 | 350 |
| | ELSH – F71MX | 70 | 350 |
| | ELSH – F81MX | 80 | 350 |
| | ELSH – F91MX | 90 | 350 |
| Red | ELSH – F41RX | 45 | 350 |
| | ELSH – F51RX | 52 | 350 |
| | ELSH – F61RX | 60 | 350 |
| Orange | ELSH – F41OX | 45 | 350 |
| | ELSH – F51OX | 52 | 350 |
| | ELSH – F61OX | 60 | 350 |
| Amber | ELSH – F31YX | 39 | 350 |
| | ELSH – F41YX | 45 | 350 |
| Green | ELSH – F71GX | 70 | 350 |
| | ELSH – F81GX | 80 | 350 |
| Blue | ELSH – E61BX | 13 | 350 |
| | ELSH – E71BX | 17 | 350 |
| | ELSH – E81BX | 20 | 350 |
| Royal Blue | ELSH – Q91LX | 275 | 350 |
| Deep Red | ELSH – Q91EX | 275 | 350 |
| Far Red | ELSH – Q61LX | 125 | 350 |

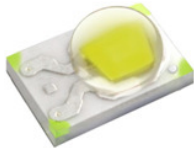
Notes:

1. Luminous flux measurement tolerance: $\pm 10\%$.
2. The data of luminous flux measured at thermal pad=25°C
3. Typical luminous flux or light output performance is operated within the conditions guided by this datasheet.
4. The range of Luminous Flux in Royal-Blue, Deep-Red and Far-Red is described as Radiometric Power.

PN of the Shuen series: White LEDs

The table below is a list of part numbers for the Everlight Shuen 1W series White LED. All parts listed match ANSI binning standards. Bin offerings of 2700K to 6500K are listed and currently available. CRI is also listed with min 70 to 80. Typical view angle is 120°. These clearly listed binning options allow for proper design and implementation into lighting applications. The Order Codes below are currently available White Shuen LEDs.

For Example: If you order product using P/N **ELSH-F91C1-0LPGS-C5700**, you will get:



| Color Variant | Radiation Pattern | CRI | CCT | Forward Voltage (V) | Minimum Luminous Flux (lm) |
|---------------|-------------------|-----|-------------------------------------|---|----------------------------|
| Cool White | Lambertian | 70 | 57K-1 ~ 57K-2 ~ 57K-3 ~ 57K-4 | 2.95~3.25(V1) 3.25~3.55(V2) 3.55~3.85(V3) | 90 |

White Shuen series LEDs at 350mA are listed below.

| Color | Order Code of ELSH | Minimum Luminous Flux (lm) | CCT (K) Wavelength (nm) | Forward Voltage (V) | CRI (min) |
|--------------------|------------------------|----------------------------|----------------------------|---------------------|-----------|
| Cool White 6500 | ELSH-F91C1-0LPGS-C6500 | 90 | 65K-1~65K-4 | 2.95~3.85 | 70 |
| Cool White 5700 | ELSH-F91C1-0LPGS-C5700 | 90 | 57K-1~57K-4 | 2.95~3.85 | 70 |
| Cool White 5000 | ELSH-F81C1-0LPGS-C5000 | 80 | 50K-1~50K-4 | 2.95~3.85 | 70 |
| Neutral White 4500 | ELSH-F81N1-0LPGS-C4500 | 80 | 45K-1~45K-4 | 2.95~3.85 | 75 |
| Neutral White 4000 | ELSH-F81N1-0LPGS-C4000 | 80 | 40K-1~40K-4 | 2.95~3.85 | 75 |
| Warm White 3500 | ELSH-F71M1-0LPGS-C3500 | 70 | 35K-1~35K-4 | 2.95~3.85 | 75 |
| Warm White 3000 | ELSH-F71M1-0LPGS-C3000 | 70 | 30K-1~30K-4 | 2.95~3.85 | 75 |
| Warm White 2700 | ELSH-F61M1-0LPGS-C2700 | 60 | 27K-1~27K-4 | 2.95~3.85 | 75 |

Notes:

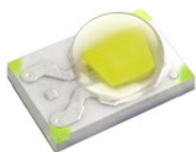
1. CRI measurement tolerance: ± 2 .
2. Each 1W white PN is based on the min. bin, and includes two adjacent bins.

PN of the Shuen High Luminous Series: White LEDs

The table below is a list of part numbers for the Everlight Shuen 1W high luminous series White LED.

All parts listed match ANSI binning standards. Bin offerings of 2700K to 6500K are listed and currently available. CRI is also listed with min 70 to 80. Typical view angle is 100°. These clearly listed binning options allow for proper design and implementation into lighting applications. The Order Codes below are currently available White Shuen LEDs.

For Example: If you order product using P/N **ELSH-J11C1-0CPGS-C5700**, you will get:



| Color Variant | Radiation Pattern | CRI | CCT | Forward Voltage (V) | Minimum Luminous Flux (lm) |
|---------------|-------------------|-----|-------------------------------------|---|----------------------------|
| Cool White | Lambertian | 70 | 57K-1 ~ 57K-2 ~ 57K-3 ~ 57K-4 | 2.65~2.95(U4) 2.95~3.25(V1) 3.25~3.55(V2) | 100 |

White Shuen series LEDs at 350mA are listed below.

| Color | Order Code of ELSH | Minimum Luminous Flux (lm) | CCT (K) Wavelength (nm) | Forward Voltage (V) | CRI (min) |
|--------------------|------------------------|----------------------------|----------------------------|---------------------|-----------|
| Cool White 6500 | ELSH-J11C1-0CPGS-C6500 | 100 | 65K-1~65K-4 | 2.65~3.55 | 70 |
| | ELSH-J21C1-0VPGS-C6500 | 110 | 65K-1~65K-4 | 2.65~3.55 | 70 |
| | ELSH-J31C1-0VPGS-C6500 | 120 | 65K-1~65K-4 | 2.65~3.55 | 70 |
| | ELSH-J11C1-0VPHS-C6500 | 100 | 65K-1~65K-4 | 2.65~3.55 | 80 |
| Cool White 5700 | ELSH-J11C1-0CPGS-C5700 | 100 | 57K-1~57K-4 | 2.65~3.55 | 70 |
| | ELSH-J21C1-0VPGS-C5700 | 110 | 57K-1~57K-4 | 2.65~3.55 | 70 |
| | ELSH-J31C1-0VPGS-C5700 | 120 | 57K-1~57K-4 | 2.65~3.55 | 70 |
| | ELSH-J11C1-0VPHS-C5700 | 100 | 57K-1~57K-4 | 2.65~3.55 | 80 |
| Cool White 5000 | ELSH-F91C1-0CPGS-C5000 | 90 | 50K-1~50K-4 | 2.65~3.55 | 70 |
| | ELSH-J11C1-0VPGS-C5000 | 100 | 50K-1~50K-4 | 2.65~3.55 | 70 |
| | ELSH-J21C1-0CPGS-C5000 | 110 | 50K-1~50K-4 | 2.65~3.55 | 70 |
| | ELSH-J31C1-0CPGS-C5000 | 120 | 50K-1~50K-4 | 2.65~3.55 | 70 |
| | ELSH-F91C1-0CPHS-C5000 | 90 | 50K-1~50K-4 | 2.65~3.55 | 80 |
| Neutral White 4500 | ELSH-F91N1-0CPGS-C4500 | 90 | 45K-1~45K-4 | 2.65~3.55 | 75 |
| | ELSH-J11N1-0VPGS-C4500 | 100 | 45K-1~45K-4 | 2.65~3.55 | 75 |
| Neutral White 4000 | ELSH-F91N1-0CPGS-C4000 | 90 | 40K-1~40K-4 | 2.65~3.55 | 75 |
| | ELSH-J11N1-0VPGS-C4000 | 100 | 40K-1~40K-4 | 2.65~3.55 | 75 |
| | ELSH-F81N1-0VPHS-C4000 | 80 | 40K-1~40K-4 | 2.65~3.55 | 80 |
| | ELSH-F91N1-0CPHS-C4000 | 90 | 40K-1~40K-4 | 2.65~3.55 | 80 |

| Color | Order Code of ELSH | Minimum Luminous Flux (lm) | CCT (K) Wavelength (nm) | Forward Voltage (V) | CRI (min) |
|-----------------|------------------------|----------------------------|-------------------------|---------------------|-----------|
| Warm White 3500 | ELSH-F81M1-0CPGS-C3500 | 80 | 35K-1~35K-4 | 2.65~3.55 | 75 |
| | ELSH-F91M1-0VPGS-C3500 | 90 | 35K-1~35K-4 | 2.65~3.55 | 75 |
| | ELSH-F71M1-0CPHS-C3500 | 70 | 35K-1~35K-4 | 2.65~3.55 | 80 |
| Warm White 3000 | ELSH-F81M1-0CPGS-C3000 | 80 | 30K-1~30K-4 | 2.65~3.55 | 75 |
| | ELSH-F91M1-0VPGS-C3000 | 90 | 30K-1~30K-4 | 2.65~3.55 | 75 |
| | ELSH-F71M1-0CPHS-C3000 | 70 | 30K-1~30K-4 | 2.65~3.55 | 80 |
| | ELSH-F81M1-0VPHS-C3000 | 80 | 30K-1~30K-4 | 2.65~3.55 | 80 |
| | ELSH-F91M1-0VPHS-C3000 | 90 | 30K-1~30K-4 | 2.65~3.55 | 80 |
| Warm White 2700 | ELSH-F71M1-0CPGS-C2700 | 70 | 27K-1~27K-4 | 2.65~3.55 | 75 |
| | ELSH-F81M1-0CPGS-C2700 | 80 | 27K-1~27K-4 | 2.65~3.55 | 75 |
| | ELSH-F91M1-0VPGS-C2700 | 90 | 27K-1~27K-4 | 2.65~3.55 | 75 |
| | ELSH-F61M1-0CPHS-C2700 | 60 | 27K-1~27K-4 | 2.65~3.55 | 80 |
| | ELSH-F71M1-0CPHS-C2700 | 70 | 27K-1~27K-4 | 2.65~3.55 | 80 |
| | ELSH-F81M1-0VPHS-C2700 | 80 | 27K-1~27K-4 | 2.65~3.55 | 80 |

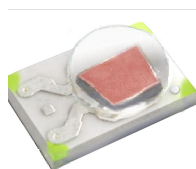
Notes:

1. CRI measurement tolerance: ± 2 .
2. Each 1W white PN is based on the min. bin, and includes two adjacent bins.

PN of the Shuen series: Color LEDs

The table below is a list of part numbers for the Everlight Shuen series Color LED. Standard Everlight color bins are listed according to wavelength and represent the standard primary colors of the spectrum. Typical view angle is 120°. These clearly listed binning options allow for proper design and implementation into lighting applications.

For Example: If you order product using P/N **ELSH-F41R1-0LPNM-AR5R6**, you will get



| Color Variant | Radiation Pattern | Dominant Wavelength (nm) | Forward Voltage (V) | Minimum Luminous Flux (lm) |
|---------------|-------------------|----------------------------|--|----------------------------|
| Red | Lambertian | 620~625(R5) 625~630(R6) | 1.75~2.05(U1) 2.05~2.35(U2) 2.35~2.65(U3) 2.65~2.95(U4) | 52 |

Color, Shuen series LEDs at 350mA are listed below.

| Color | Order Code of ELSH | Minimum Luminous Flux (lm) | Dominant Wavelength (nm) | Forward Voltage(V) |
|--------|--------------------------------|----------------------------|--------------------------|--------------------|
| Red | ELSH-F41R1-0LPNM-AR5R6 | 45 | 620~630 | 1.75~2.95 |
| | *ELSH-F51R1-0LPNM-AR5R6 | 52 | 620~630 | 1.75~2.95 |
| | *ELSH-F61R1-0PPNM-AR5R6 | 60 | 620~630 | 1.75~2.95 |
| Orange | ELSH-F41O1-0LPNM-AR3R4 | 45 | 610~620 | 1.75~2.95 |
| | ELSH-F51O1-0LPNM-AR3R4 | 52 | 610~620 | 1.75~2.95 |
| | ELSH-F61O1-0PPNM-AR3R4 | 60 | 610~620 | 1.75~2.95 |
| Amber | ELSH-F31Y1-0LPNM-AA3A5 | 39 | 585~592.5 | 1.75~2.95 |
| | ELSH-F41Y1-0LPNM-AA3A5 | 45 | 585~592.5 | 1.75~2.95 |
| | ELSH-F31Y1-0LPNM-AA4A6 | 39 | 587.5~595 | 1.75~2.95 |
| | ELSH-F41Y1-0LPNM-AA4A6 | 45 | 587.5~595 | 1.75~2.95 |
| Green | ELSH-F71G1-0LPNM-CG1G2 | 70 | 520~530 | 2.95~3.85 |
| | ELSH-F71G1-0LPNM-CG2G3 | 70 | 525~535 | 2.95~3.85 |
| | *ELSH-F81G1-0GPNM-CG1G2 | 80 | 520~530 | 2.95~3.85 |
| | *ELSH-F81G1-0GPNM-CG2G3 | 80 | 525~535 | 2.95~3.85 |
| Blue | *ELSH-E71B1-0LPNM-CB7B8 | 17 | 460~470 | 2.95~3.85 |
| | *ELSH-E81B1-0LPNM-CB7B8 | 20 | 460~470 | 2.95~3.85 |

*Product lead time of at least 8 weeks.

Notes:

- Mechanical dimension and pad configuration of ELSH-F61R1-0PPNM-AR5R6 and ELSH-F61O1-0PPNM-AR3R4, please refer to Page.22-23. Marked in red above.
- Each 1W direct color PN is based on the min. bin and includes four adjacent bins.

| Color | Order Code of ELSH | Minimum Radiometric Power (mW) | Peak Wavelength (nm) | Forward Voltage(V) |
|------------|-------------------------|--------------------------------|----------------------|--------------------|
| Royal Blue | ELSH-Q91L1-0LPNM-CB4B6 | 275 | 445~460 | 2.95~3.85 |
| Deep Red | *ELSH-Q91E1-0LPNM-JD3D8 | 275 | 645~675 | 1.75~2.95 |
| Far Red | *ELSH-Q61F1-0LPNM-JF3F8 | 125 | 715~745 | 1.75~2.95 |

*Product lead time of at least 8 weeks.

Note:

Each 1W direct color PN is based on the min. bin and includes four adjacent bins

Product Binning

Luminous Flux Bins

| Group | Bin | Minimum Photometric Flux (lm) | Maximum Photometric Flux (lm) |
|-------|-----|-------------------------------|-------------------------------|
| E | 1 | 4 | 5 |
| | 2 | 5 | 6 |
| | 3 | 6 | 8 |
| | 4 | 8 | 10 |
| | 5 | 10 | 13 |
| | 6 | 13 | 17 |
| | 7 | 17 | 20 |
| | 8 | 20 | 23 |
| | 9 | 23 | 27 |
| F | 1 | 27 | 33 |
| | 2 | 33 | 39 |
| | 3 | 39 | 45 |
| | 4 | 45 | 52 |
| | 5 | 52 | 60 |
| | 6 | 60 | 70 |
| | 7 | 70 | 80 |
| | 8 | 80 | 90 |
| | 9 | 90 | 100 |

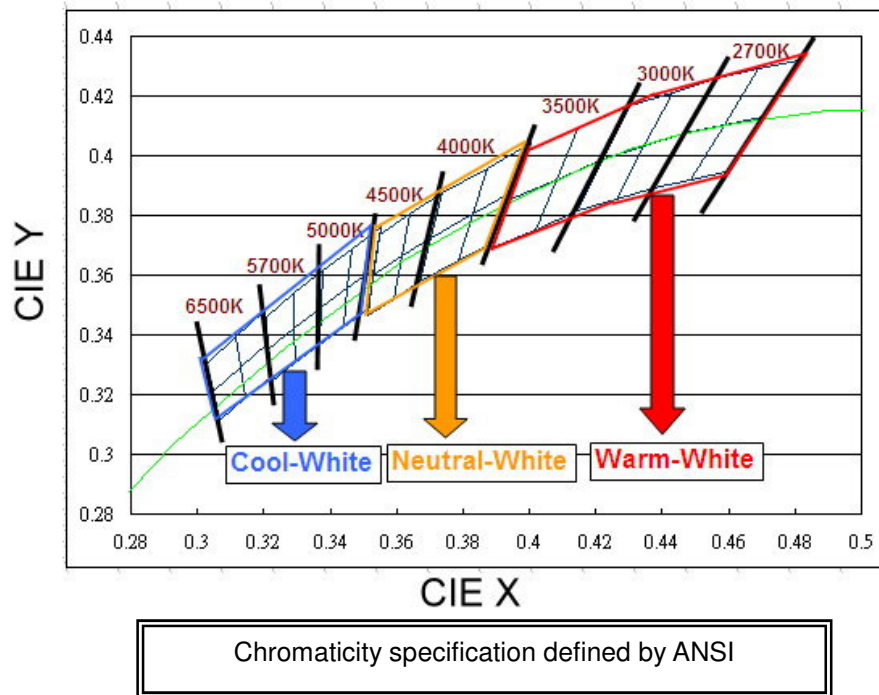
| Group | Bin | Minimum Photometric Flux (lm) | Maximum Photometric Flux (lm) |
|-------|-----|-------------------------------|-------------------------------|
| J | 1 | 100 | 110 |
| | 2 | 110 | 120 |
| | 3 | 120 | 130 |
| | 4 | 130 | 140 |
| | 5 | 140 | 150 |
| | 6 | 150 | 160 |
| | 7 | 160 | 180 |
| | 8 | 180 | 200 |
| | 9 | 200 | 225 |
| K | 1 | 225 | 250 |
| | 2 | 250 | 275 |
| | 3 | 275 | 300 |
| | 4 | 300 | 325 |
| | 5 | 325 | 350 |
| | 6 | 350 | 375 |
| | 7 | 375 | 400 |
| | 8 | 400 | 425 |
| | 9 | 425 | 450 |
| N | 1 | 450 | 475 |
| | 2 | 475 | 500 |
| | 3 | 500 | 525 |
| | 4 | 525 | 550 |

Radiometric Power Bins

| Group | Bin | Minimum Radiometric Power(mW) | Maximum Radiometric Power(mW) |
|-------|-----|-------------------------------|-------------------------------|
| Q | 1 | 0 | 25 |
| | 2 | 25 | 50 |
| | 3 | 50 | 75 |
| | 4 | 75 | 100 |
| | 5 | 100 | 125 |
| | 6 | 125 | 175 |
| | 7 | 175 | 225 |
| | 8 | 225 | 275 |
| | 9 | 275 | 350 |

| Group | Bin | Minimum Radiometric Power(mW) | Maximum Radiometric Power(mW) |
|-------|-----|-------------------------------|-------------------------------|
| R | 1 | 350 | 425 |
| | 2 | 425 | 500 |
| | 3 | 500 | 600 |
| | 4 | 600 | 700 |
| | 5 | 700 | 800 |
| | 6 | 800 | 900 |
| | 7 | 900 | 1000 |
| | 8 | 1000 | 1300 |
| | 9 | 1300 | 1600 |

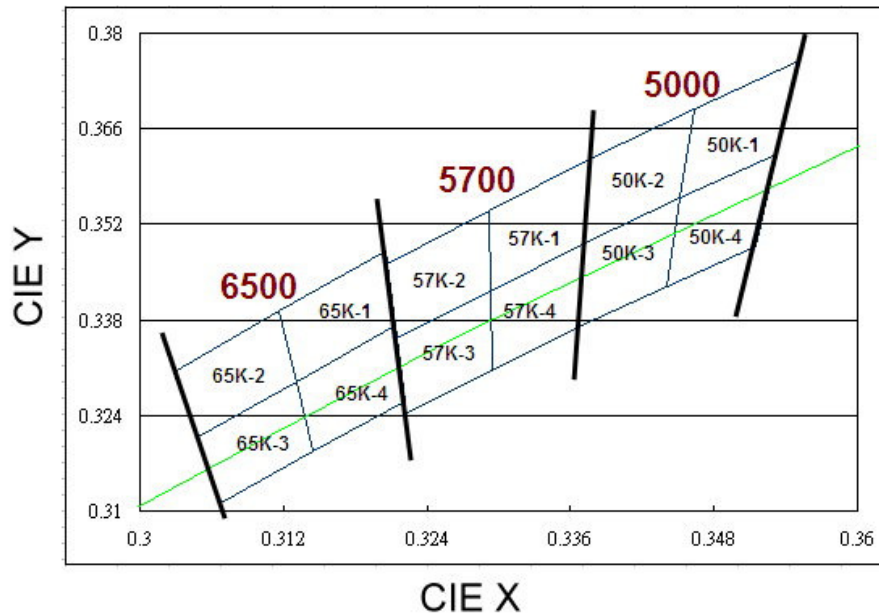
White Bin Structure



Notes:

1. The CCT range of Cool-White varies from 4745K to 7050K.
2. The CCT range of Neutral-White varies from 3710K to 4745K.
3. The CCT range of Warm-White varies from 2580K to 3710K
4. Color coordinates measurement allowance : ± 0.01
5. Color bins are defined at $I_f=350\text{mA}$ operation.

Cool-White Bin Structure



Cool-White Bin Coordinates

5000K

| Bin | CIE X | CIE Y |
|-----------------------------|-------|-------|
| 50K-1 | 0.346 | 0.369 |
| | 0.345 | 0.356 |
| | 0.353 | 0.362 |
| | 0.355 | 0.376 |
| Reference Range: 4745~5000K | | |

| Bin | CIE X | CIE Y |
|-----------------------------|-------|-------|
| 50K-2 | 0.338 | 0.362 |
| | 0.337 | 0.349 |
| | 0.345 | 0.356 |
| | 0.346 | 0.369 |
| Reference Range: 5000~5310K | | |

| Bin | CIE X | CIE Y |
|-----------------------------|-------|-------|
| 50K-4 | 0.345 | 0.356 |
| | 0.344 | 0.343 |
| | 0.352 | 0.349 |
| | 0.353 | 0.362 |
| Reference Range: 4745~5000K | | |

| Bin | CIE X | CIE Y |
|-----------------------------|-------|-------|
| 50K-3 | 0.337 | 0.349 |
| | 0.337 | 0.337 |
| | 0.344 | 0.343 |
| | 0.345 | 0.356 |
| Reference Range: 5000~5310K | | |

5700K

| Bin | CIE X | CIE Y |
|-----------------------------|-------|-------|
| 57K-1 | 0.329 | 0.354 |
| | 0.329 | 0.342 |
| | 0.337 | 0.349 |
| | 0.338 | 0.362 |
| Reference Range: 5310~5700K | | |

| Bin | CIE X | CIE Y |
|-----------------------------|-------|-------|
| 57K-2 | 0.321 | 0.346 |
| | 0.321 | 0.335 |
| | 0.329 | 0.342 |
| | 0.329 | 0.354 |
| Reference Range: 5700~6020K | | |

| Bin | CIE X | CIE Y |
|-----------------------------|-------|-------|
| 57K-4 | 0.329 | 0.342 |
| | 0.329 | 0.331 |
| | 0.337 | 0.337 |
| | 0.337 | 0.349 |
| Reference Range: 5310~5700K | | |

| Bin | CIE X | CIE Y |
|-----------------------------|-------|-------|
| 57K-3 | 0.321 | 0.335 |
| | 0.322 | 0.324 |
| | 0.329 | 0.331 |
| | 0.329 | 0.342 |
| Reference Range: 5700~6020K | | |

6500K

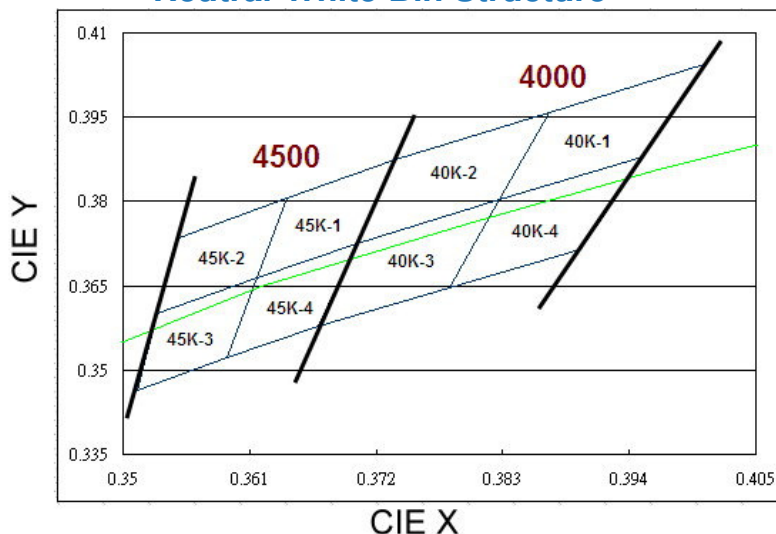
| Bin | CIE X | CIE Y |
|-----------------------------|-------|-------|
| 65K-1 | 0.312 | 0.339 |
| | 0.313 | 0.329 |
| | 0.321 | 0.337 |
| | 0.321 | 0.348 |
| Reference Range: 6020~6500K | | |

| Bin | CIE X | CIE Y |
|-----------------------------|-------|-------|
| 65K-2 | 0.303 | 0.330 |
| | 0.305 | 0.321 |
| | 0.313 | 0.329 |
| | 0.312 | 0.339 |
| Reference Range: 6500~7050K | | |

| Bin | CIE X | CIE Y |
|-----------------------------|-------|-------|
| 65K-4 | 0.313 | 0.329 |
| | 0.315 | 0.319 |
| | 0.322 | 0.326 |
| | 0.321 | 0.337 |
| Reference Range: 6020~6500K | | |

| Bin | CIE X | CIE Y |
|-----------------------------|-------|-------|
| 65K-3 | 0.305 | 0.321 |
| | 0.307 | 0.311 |
| | 0.315 | 0.319 |
| | 0.313 | 0.329 |
| Reference Range: 6500~7050K | | |

Neutral-White Bin Structure



Neutral-White Bin Coordinates

4000K

| Bin | CIE X | CIE Y |
|-----------------------------|-------|-------|
| 40K-1 | 0.387 | 0.396 |
| | 0.383 | 0.380 |
| | 0.395 | 0.388 |
| | 0.401 | 0.404 |
| Reference Range: 3710~4000K | | |

| Bin | CIE X | CIE Y |
|-----------------------------|-------|-------|
| 40K-2 | 0.374 | 0.387 |
| | 0.370 | 0.373 |
| | 0.383 | 0.380 |
| | 0.387 | 0.396 |
| Reference Range: 4000~4260K | | |

| Bin | CIE X | CIE Y |
|-----------------------------|-------|-------|
| 40K-4 | 0.383 | 0.380 |
| | 0.378 | 0.365 |
| | 0.390 | 0.372 |
| | 0.395 | 0.388 |
| Reference Range: 3710~4000K | | |

| Bin | CIE X | CIE Y |
|-----------------------------|-------|-------|
| 40K-3 | 0.370 | 0.373 |
| | 0.367 | 0.358 |
| | 0.378 | 0.365 |
| | 0.383 | 0.380 |
| Reference Range: 4000~4260K | | |

4500K

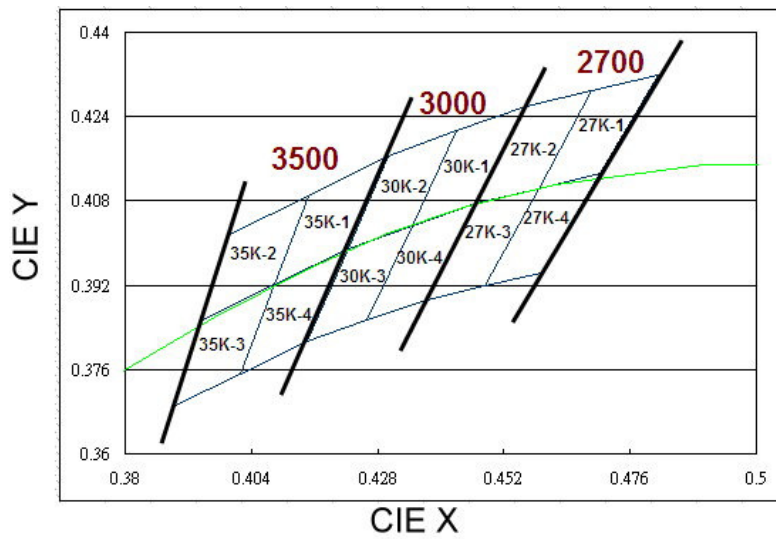
| Bin | CIE X | CIE Y |
|-----------------------------|-------|-------|
| 45K-1 | 0.364 | 0.381 |
| | 0.362 | 0.366 |
| | 0.370 | 0.373 |
| | 0.374 | 0.387 |
| Reference Range: 4260~4500K | | |

| Bin | CIE X | CIE Y |
|-----------------------------|-------|-------|
| 45K-2 | 0.355 | 0.374 |
| | 0.353 | 0.360 |
| | 0.362 | 0.366 |
| | 0.364 | 0.381 |
| Reference Range: 4500~4745K | | |

| Bin | CIE X | CIE Y |
|-----------------------------|-------|-------|
| 45K-4 | 0.362 | 0.366 |
| | 0.359 | 0.352 |
| | 0.367 | 0.358 |
| | 0.370 | 0.373 |
| Reference Range: 4260~4500K | | |

| Bin | CIE X | CIE Y |
|-----------------------------|-------|-------|
| 45K-3 | 0.353 | 0.360 |
| | 0.351 | 0.347 |
| | 0.359 | 0.352 |
| | 0.362 | 0.366 |
| Reference Range: 4500~4745K | | |

Warm-White Bin Structure



Warm-White Bin Coordinates

2700K

| Bin | CIE X | CIE Y |
|-----------------------------|-------|-------|
| 27K-1 | 0.469 | 0.429 |
| | 0.459 | 0.410 |
| | 0.470 | 0.413 |
| | 0.481 | 0.432 |
| Reference Range: 2580~2700K | | |

| Bin | CIE X | CIE Y |
|-----------------------------|-------|-------|
| 27K-2 | 0.456 | 0.426 |
| | 0.447 | 0.408 |
| | 0.459 | 0.410 |
| | 0.469 | 0.429 |
| Reference Range: 2700~2870K | | |

| Bin | CIE X | CIE Y |
|-----------------------------|-------|-------|
| 27K-4 | 0.459 | 0.410 |
| | 0.448 | 0.392 |
| | 0.459 | 0.394 |
| | 0.470 | 0.413 |
| Reference Range: 2580~2700K | | |

| Bin | CIE X | CIE Y |
|-----------------------------|-------|-------|
| 27K-3 | 0.447 | 0.408 |
| | 0.437 | 0.389 |
| | 0.448 | 0.392 |
| | 0.459 | 0.410 |
| Reference Range: 2700~2870K | | |

3000K

| Bin | CIE X | CIE Y |
|-----------------------------|-------|-------|
| 30K-1 | 0.443 | 0.421 |
| | 0.435 | 0.403 |
| | 0.447 | 0.408 |
| | 0.456 | 0.426 |
| Reference Range: 2870~3000K | | |

| Bin | CIE X | CIE Y |
|-----------------------------|-------|-------|
| 30K-2 | 0.430 | 0.417 |
| | 0.422 | 0.399 |
| | 0.435 | 0.403 |
| | 0.443 | 0.421 |
| Reference Range: 3000~3220K | | |

| Bin | CIE X | CIE Y |
|-----------------------------|-------|-------|
| 30K-4 | 0.435 | 0.403 |
| | 0.426 | 0.385 |
| | 0.437 | 0.389 |
| | 0.447 | 0.408 |
| Reference Range: 2870~3000K | | |

| Bin | CIE X | CIE Y |
|-----------------------------|-------|-------|
| 30K-3 | 0.422 | 0.399 |
| | 0.415 | 0.381 |
| | 0.426 | 0.385 |
| | 0.435 | 0.403 |
| Reference Range: 3000~3220K | | |

3500K

| Bin | CIE X | CIE Y |
|-----------------------------|-------|-------|
| 35K-1 | 0.415 | 0.409 |
| | 0.408 | 0.392 |
| | 0.422 | 0.399 |
| | 0.430 | 0.417 |
| Reference Range: 3220~3500K | | |

| Bin | CIE X | CIE Y |
|-----------------------------|-------|-------|
| 35K-2 | 0.400 | 0.402 |
| | 0.394 | 0.385 |
| | 0.408 | 0.392 |
| | 0.415 | 0.409 |
| Reference Range: 3500~3710K | | |

| Bin | CIE X | CIE Y |
|-----------------------------|-------|-------|
| 35K-4 | 0.408 | 0.392 |
| | 0.402 | 0.375 |
| | 0.415 | 0.381 |
| | 0.422 | 0.399 |
| Reference Range: 3220~3500K | | |

| Bin | CIE X | CIE Y |
|-----------------------------|-------|-------|
| 35K-3 | 0.394 | 0.385 |
| | 0.389 | 0.369 |
| | 0.402 | 0.375 |
| | 0.408 | 0.392 |
| Reference Range: 3500~3710K | | |

Note: Currently available typical CCT ranges are 3000K, 5700K, and 6500K CCT.

Forward Voltage Bins

| Group Name | Bins |
|------------|-------------|
| A | U1+U2+U3+U4 |
| B | U2+U3+U4+V1 |
| C | U4+V1+V2+V3 |
| D | V1+V2+V3+V4 |
| J | U1+U2+U3+U4 |

| Bin | Minimum Forward Voltage (V) | Maximum Forward Voltage (V) |
|-----|-----------------------------|-----------------------------|
| U1 | 1.75 | 2.05 |
| U2 | 2.05 | 2.35 |
| U3 | 2.35 | 2.65 |
| U4 | 2.65 | 2.95 |
| V1 | 2.95 | 3.25 |
| V2 | 3.25 | 3.55 |
| V3 | 3.55 | 3.85 |
| V4 | 3.85 | 4.15 |

Notes:

1. Forward voltage measurement tolerance: $\pm 0.1V$.
2. Forward voltage bins are defined at $I_F=350$ mA operation.
3. Other Forward Voltage bins for White LEDs available upon request. Please contact your local Everlight sales office.

Color Bins

| Group | Bin | Minimum Dominant / Peak Wavelength (nm) | Maximum Dominant / Peak Wavelength (nm) |
|--------------------------------------|-----|---|---|
| B (Blue) / (Royal-Blue) | 1 | 430 | 435 |
| | 2 | 435 | 440 |
| | 3 | 440 | 445 |
| | 4 | 445 | 450 |
| | 5 | 450 | 455 |
| | 6 | 455 | 460 |
| | 7 | 460 | 465 |
| | 8 | 465 | 470 |
| G (Green) | 1 | 520 | 525 |
| | 2 | 525 | 530 |
| | 3 | 530 | 535 |
| | 4 | 535 | 540 |
| | 5 | 540 | 545 |
| | 6 | 545 | 550 |
| A (Amber) | 1 | 580 | 582.5 |
| | 2 | 582.5 | 585 |
| | 3 | 585 | 587.5 |
| | 4 | 587.5 | 590 |
| | 5 | 590 | 592.5 |
| | 6 | 592.5 | 595 |
| R (Red) | 3 | 610 | 615 |
| | 4 | 615 | 620 |
| | 5 | 620 | 625 |
| | 6 | 625 | 630 |
| | 7 | 630 | 635 |
| D (Deep-Red) | 1 | 635 | 640 |
| | 2 | 640 | 645 |
| | 3 | 645 | 650 |
| | 4 | 650 | 655 |
| | 5 | 655 | 660 |
| | 6 | 660 | 665 |
| | 7 | 665 | 670 |
| | 8 | 670 | 675 |
| F (Far-Red) | 1 | 700 | 710 |
| | 2 | 710 | 715 |
| | 3 | 715 | 720 |
| | 4 | 720 | 725 |
| | 5 | 725 | 730 |
| | 6 | 730 | 735 |
| | 7 | 735 | 740 |
| | 8 | 740 | 745 |

Notes:

1. Dominant / Peak wavelength measurement tolerance: ± 1 nm.
2. Dominant / Peak wavelength bins are defined at $I_f=350$ mA operation.
3. The range of wavelength in Royal-Blue, Deep-Red and Far-Red is described as peak-wavelength.

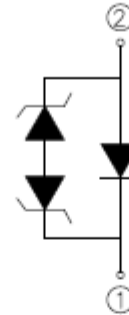
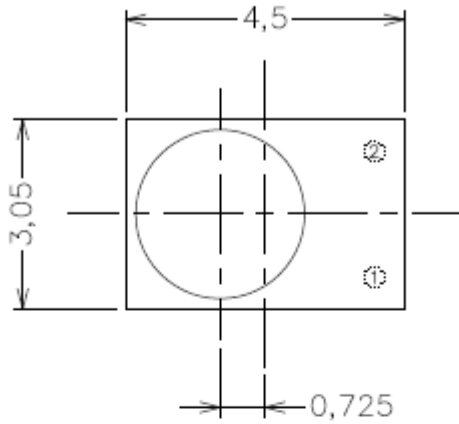
Optical Characteristics

| Color | Part Number | Part Number Dominant Wavelength λ_D Peak Wavelength λ_P Color Temperature CCT | | | Typical Temperature Coefficient of Dominant Wavelength (nm/°C)-($\Delta\lambda_D/\Delta T_J$) | Typical Viewing Angle (degrees) $2\theta_{1/2}$ |
|---------------|--------------|---|-------|-------|--|--|
| | | Min. | Typ. | Max. | | |
| Cool-White | ELSH – XX1CX | 4745K | 5700K | 7050K | --- | Note 6 |
| Neutral-White | ELSH – XX1NX | 3710K | 4260K | 4745K | --- | Note 6 |
| Warm-White | ELSH – XX1MX | 2580K | 3000K | 3710K | --- | Note 6 |
| Red | ELSH – XX1RX | 620nm | --- | 630nm | 0.05 | 120 |
| Orange | ELSH – XX1OX | 610nm | --- | 620nm | 0.08 | 120 |
| Amber | ELSH – XX1YX | 585nm | --- | 595nm | 0.1 | 120 |
| Green | ELSH – XX1GX | 520nm | --- | 535nm | 0.05 | 120 |
| Blue | ELSH – XX1BX | 460nm | --- | 470nm | 0.05 | 120 |
| Royal Blue | ELSH – XX1LX | 450nm | --- | 460nm | 0.05 | 120 |
| Deep-Red | ELSH – XX1EX | 645nm | --- | 675nm | 0.08 | 120 |
| Far-Red | ELSH – XX1LX | 715nm | --- | 745nm | 0.04 | 120 |

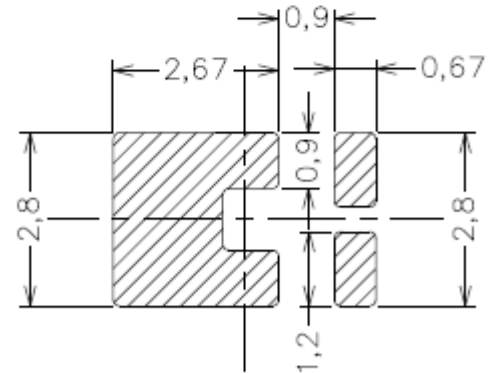
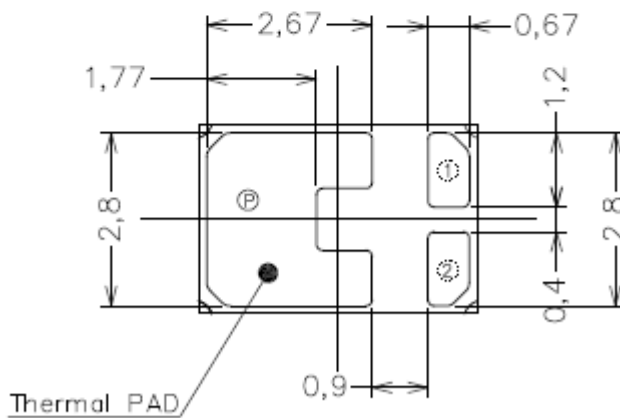
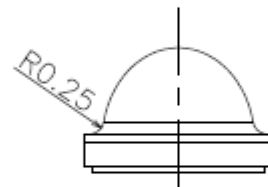
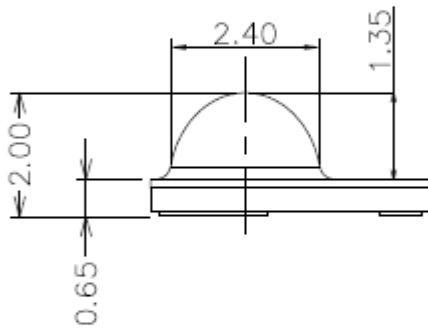
Notes:

1. The test tolerance of Everlight is ± 1 nm for dominant wavelength, $\pm 5\%$ for CCT.
2. Viewing angle is the width of half the light output intensity in all directions of 180° .
All Cool-White, Neutral-White, Warm-White, and dominant wavelength below 550nm LEDs are made with Indium Gallium Nitride (InGaN).
3. All LEDs with dominant wavelength exceeding 550nm are made with Aluminum Indium Gallium Phosphide (AlInGaP).
4. The range of wavelength in Royal-Blue, Deep-Red and Far-Red is described as peak-wavelength.
5. Typical view angle of ELSH-XX1X1-0C and ELSH-XX1X1-0V series is 100° . Typical view angle of ELSH-XX1X1-0L series is 120° .

Mechanical Dimension



Polarity



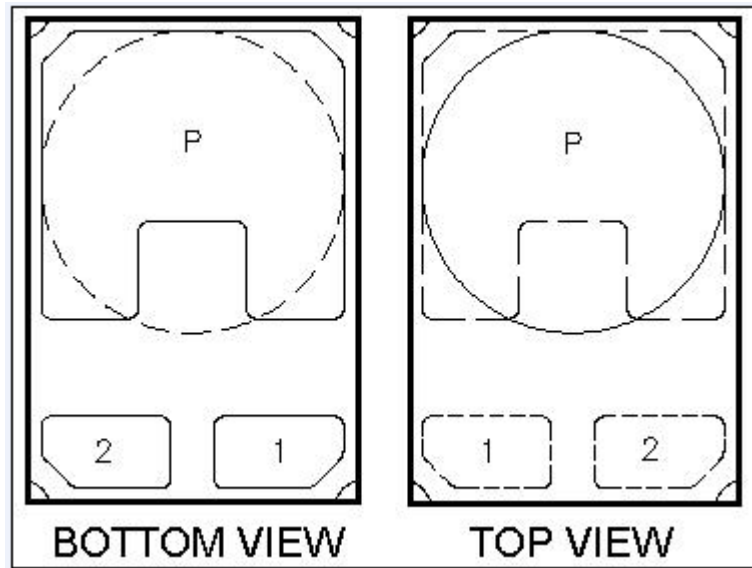
Bot. view

Soldering patterns

Notes:

1. Dimensions are in millimeters.
2. Tolerances unless mentioned are $\pm 0.15\text{mm}$.
3. The thermal pad is electrically isolated from the Anode and Cathode contact pads.
4. Do not handle the device by the lens. Incorrect force applied to the lens may lead to the failure of devices.

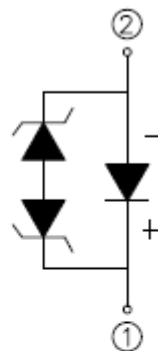
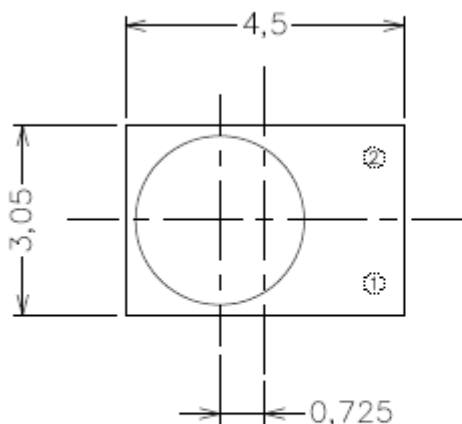
Pad Configuration



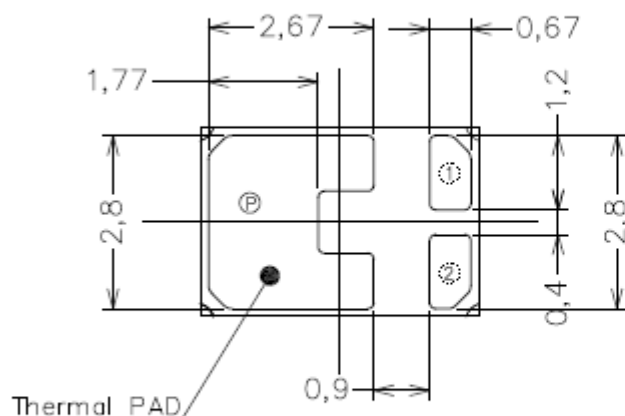
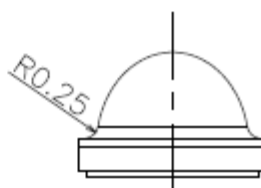
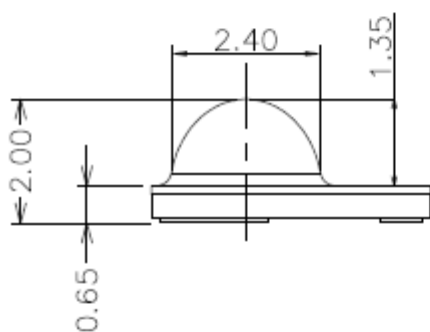
| PAD | FUNCTION |
|-----|-------------|
| 1 | CATHODE |
| 2 | ANODE |
| P | THERMAL PAD |

Mechanical Dimension

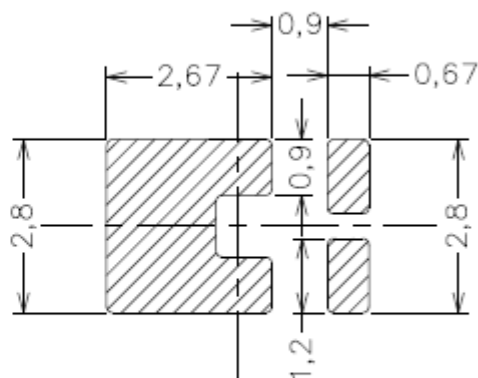
(Only for ELSH-F61R1-0PPNM-AR5R6 and ELSH-F61O1-0PPNM-AR3R4)



Polarity



Bot. view



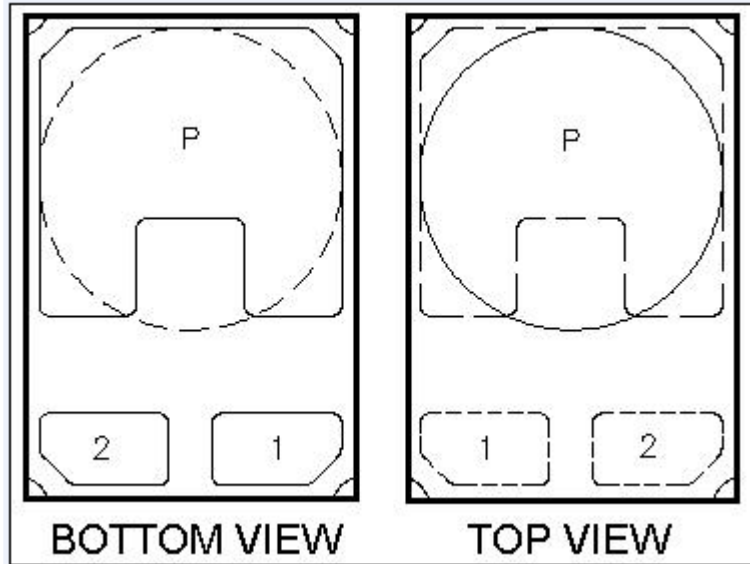
Soldering patterns

Notes:

1. Dimensions are in millimeters.
2. Tolerances unless mentioned are $\pm 0.15\text{mm}$.
3. The thermal pad is electrically isolated from the Anode and Cathode contact pads
4. Only for ELSH-F61R1-0PPNM-AR5R6 and ELSH-F61O1-0PPNM-AR3R4.
5. Do not handle the device by the lens. Incorrect force applied to the lens may lead to the failure of devices.

Pad Configuration

(Only for ELSH-F61R1-0PPNM-AR5R6 and ELSH-F61O1-0PPNM-AR3R4)



| PAD | FUNCTION |
|-----|----------------|
| 1 | ANODE |
| 2 | CATHODE |
| P | THERMAL PAD |

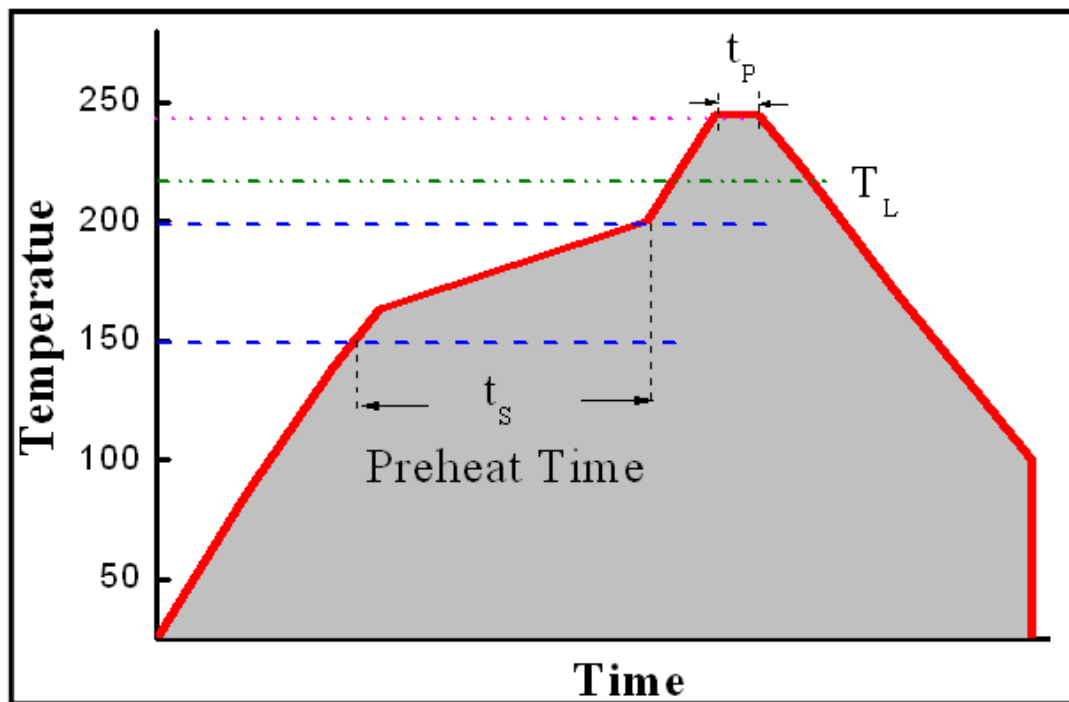
Note:

Only for ELSH-F61R1-0PPNM-AR5R6 and ELSH-F61O1-0PPNM-AR3R4.

Reflow Soldering Characteristics

For Reflow Process

- ELSH series are suitable for SMT processes.
- Curing of glue in oven must be according to standard operation flow processes.

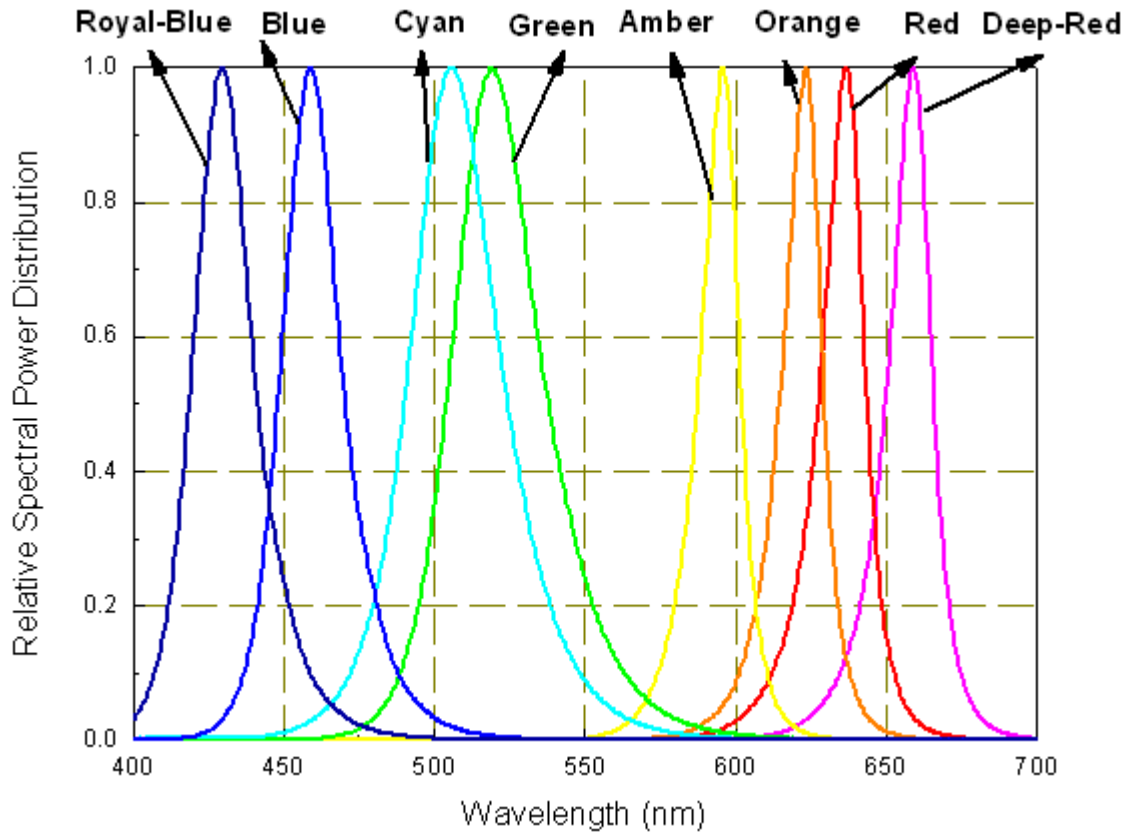


| Profile Feature | Lead Free Assembly |
|------------------------------|--------------------|
| Ramp-Up Rate | 2-3 °C/S |
| Preheat Temperature | 150-200 °C |
| Preheat Time (t_s) | 60-120 S |
| Liquid Temperature (T_L) | 217 °C |
| Time maintained above T_L | 60-90 S |
| Peak Temperature (T_p) | 240±5 °C |
| Peak Time (t_p) | Max 20 S |
| Ramp-Down Rate | 3-5 °C/S |

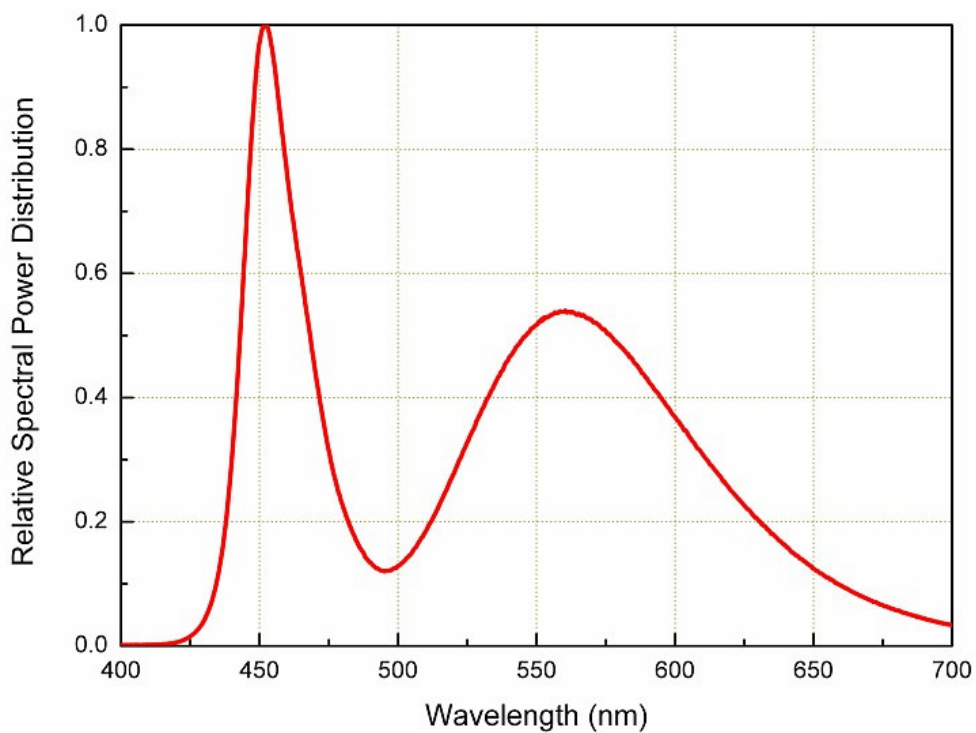
- Reflow soldering should not be done more than twice.
- In soldering process, stress on the LEDs during heating should be avoided.
- After soldering, do not bend the circuit board.

Wavelength Characteristics

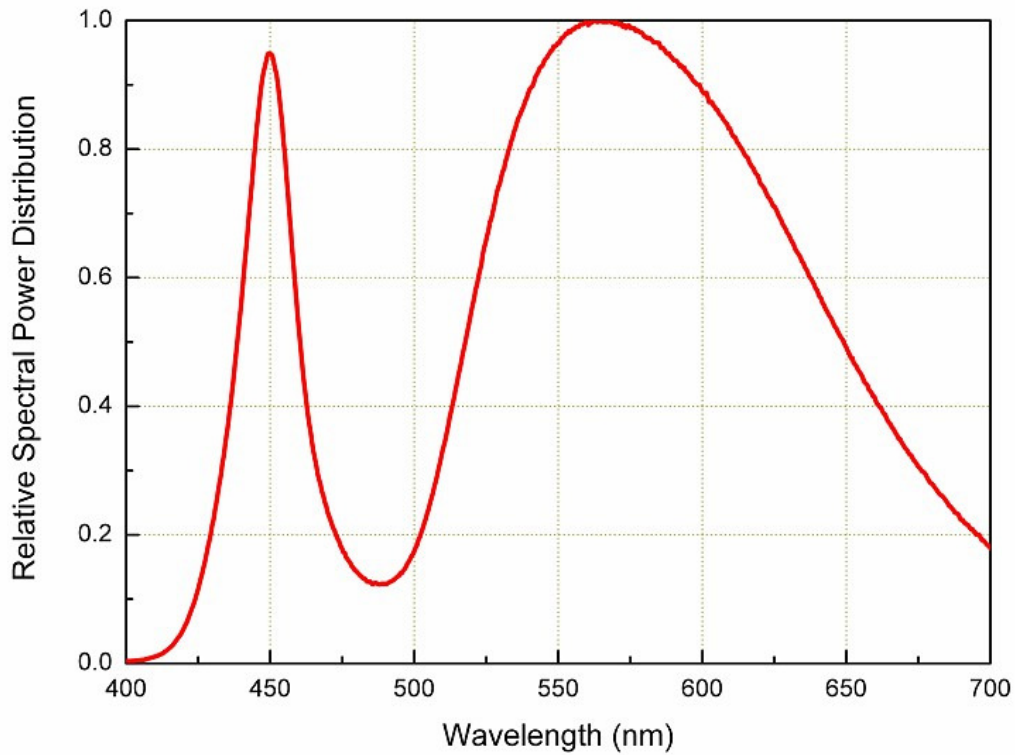
For Deep-Red, Red, Amber, Yellow, Green, Cyan, Blue, Royal-Blue
@ Thermal Pad Temperature = 25°C



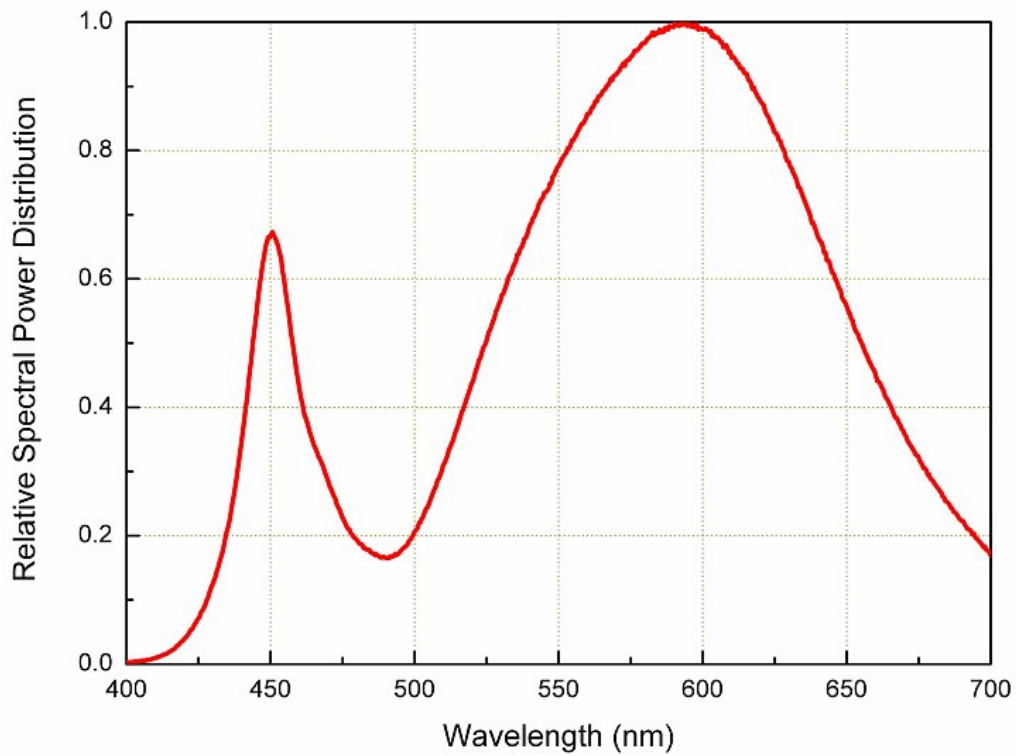
For Cool-White, @ Thermal Pad Temperature = 25°C



For Neutral-White, @ Thermal Pad Temperature = 25°C

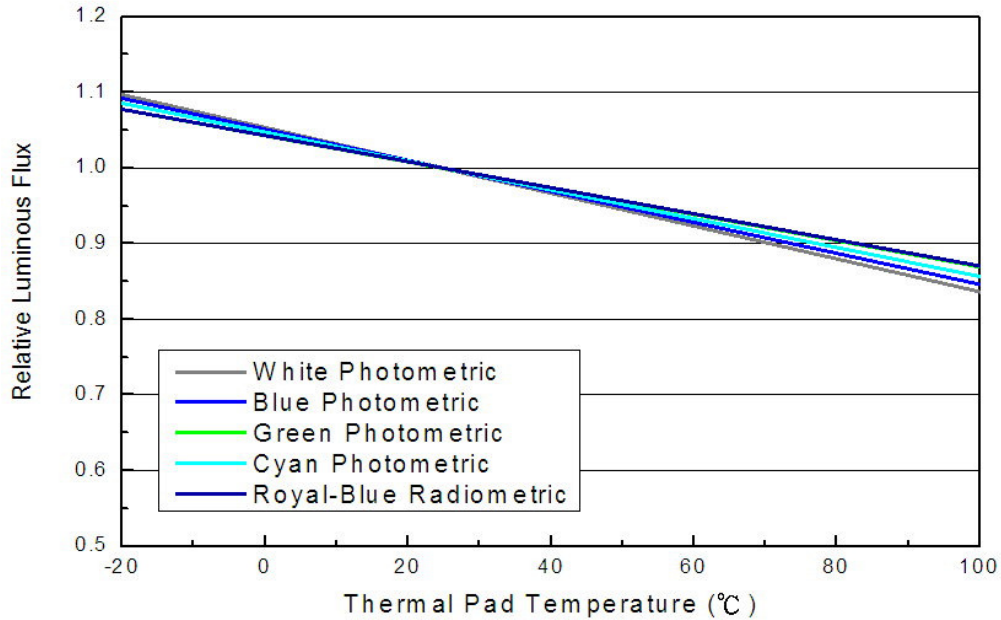


For Warm-White, @ Thermal Pad Temperature = 25°C

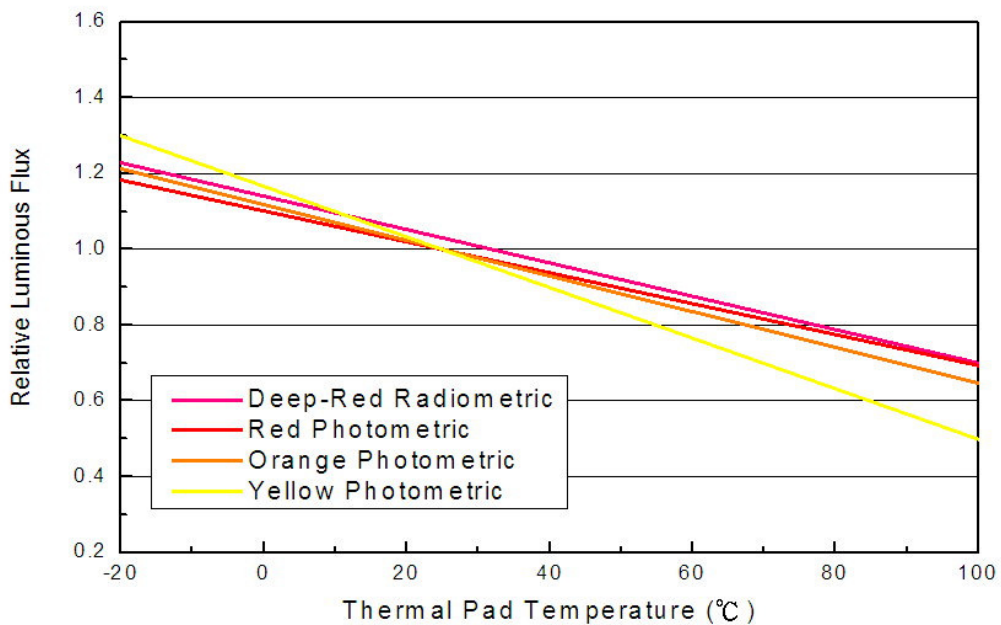


Typical Light Output Characteristic V.S. Thermal Pad Temperature

Cool-White, Neutral-White, Warm-White, Green, Cyan, Blue, Royal-Blue
for 350mA Drive Current

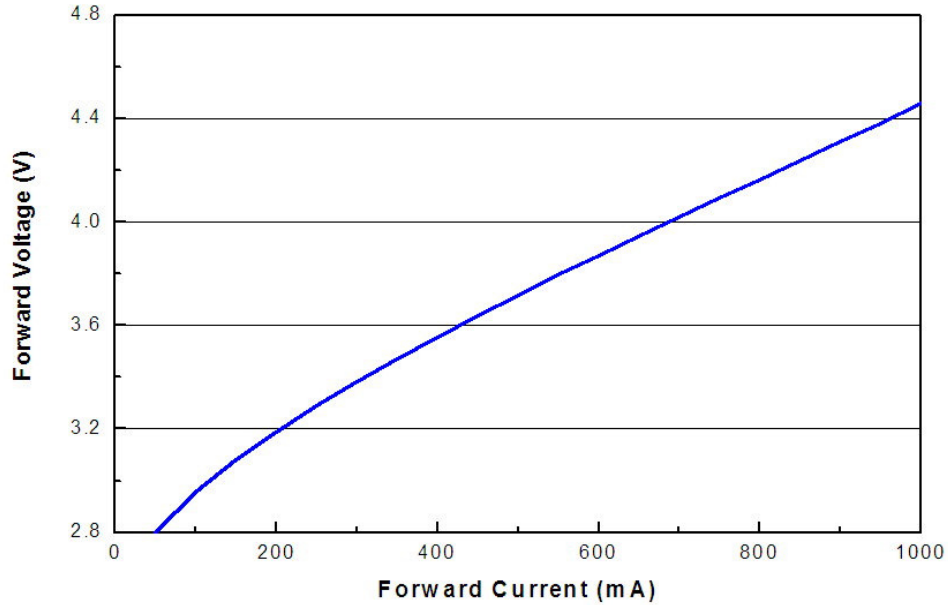


Deep-Red, Red, Orange, Amber for 350mA Drive Current

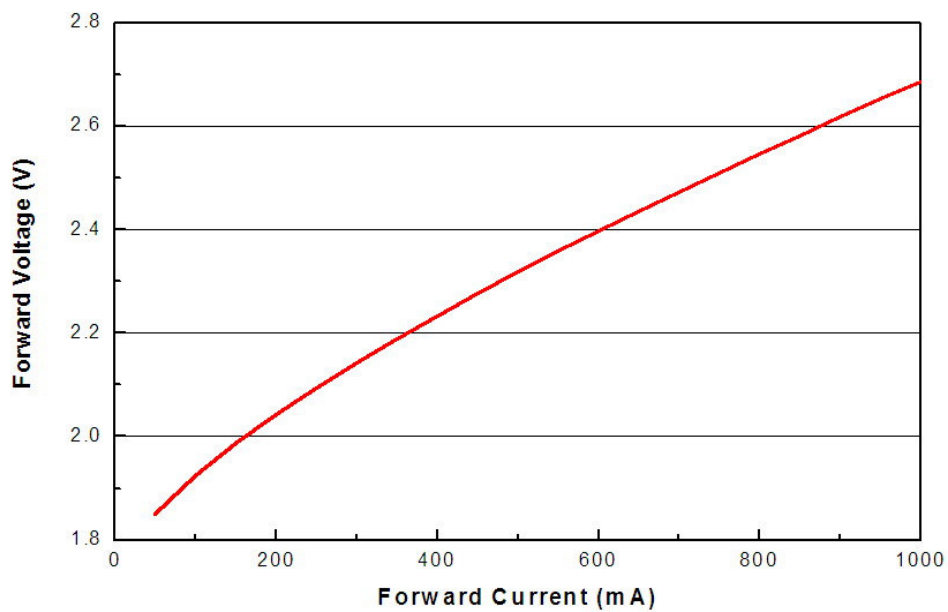


Typical Electrical Characteristics

For Cool-White, Neutral-White, Warm-White, Green, Cyan, Blue, Royal-Blue
@ Thermal Pad Temperature = 25°C

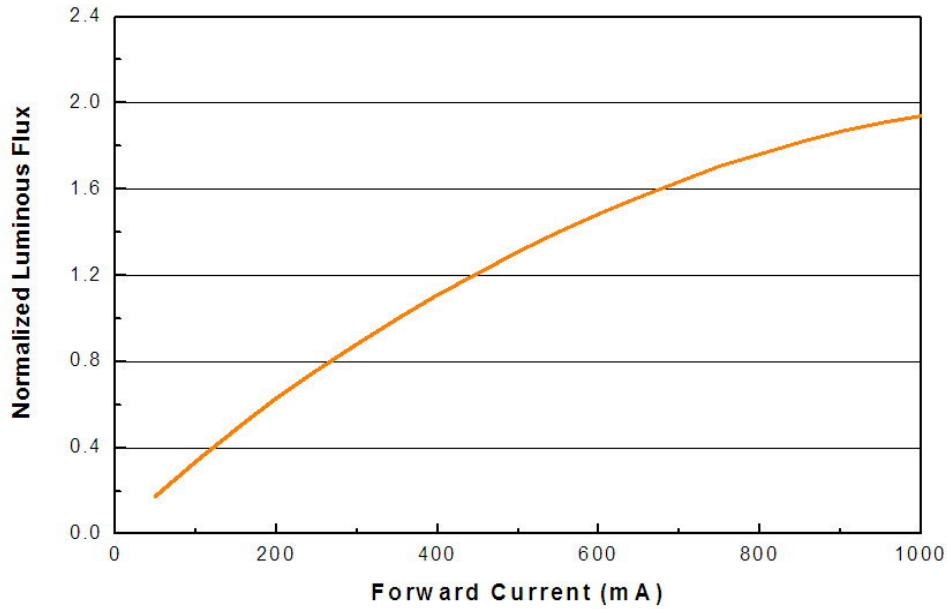


For Far-Red, Deep-Red, Red, Orange, Amber,
@ Thermal Pad Temperature = 25°C

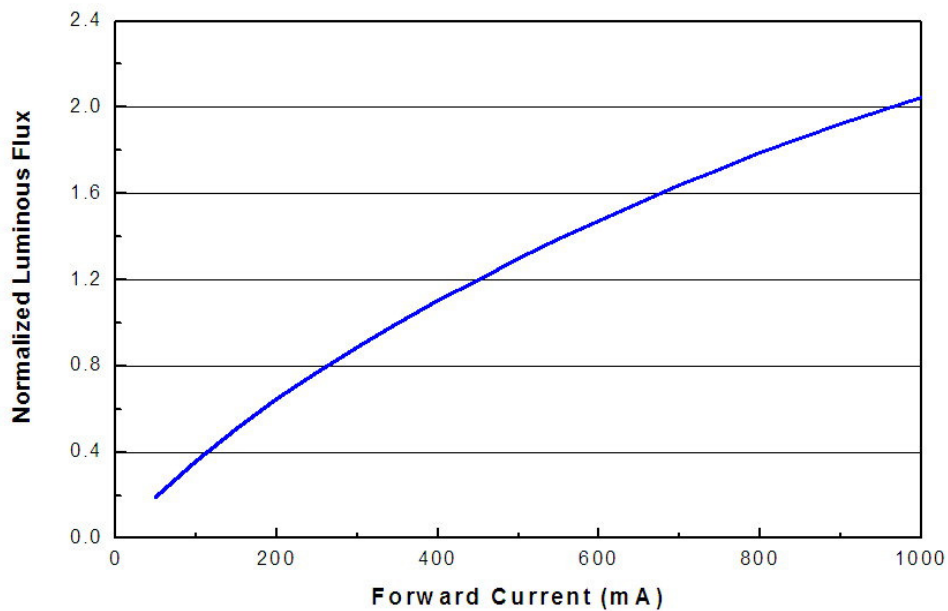


Typical Relative Luminous Flux V.S. Forward Current

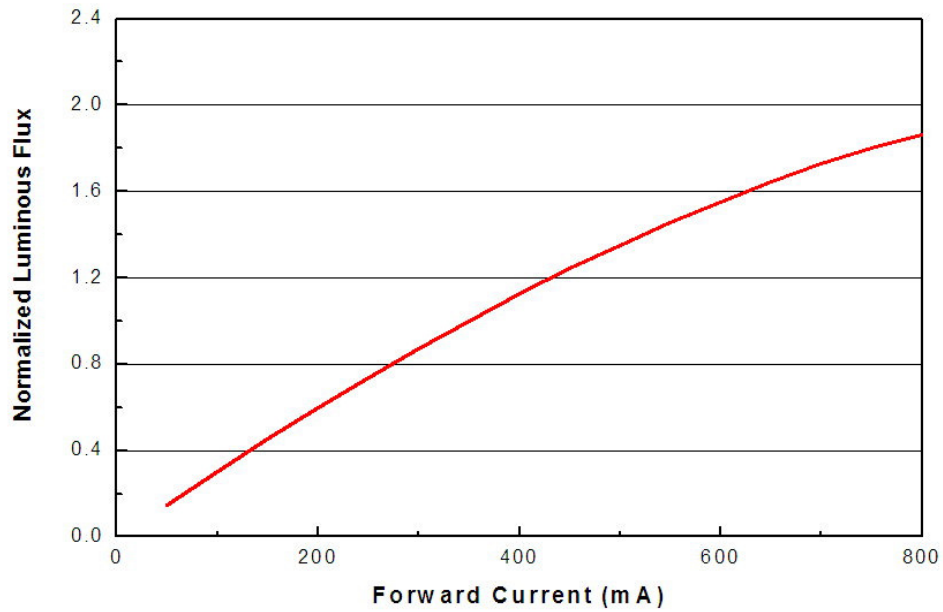
For Cool-White, Neutral-White, Warm-White
@ Thermal Pad Temperature = 25°C



For Green, Cyan, Blue, Royal-Blue @ Thermal Pad Temperature = 25°C

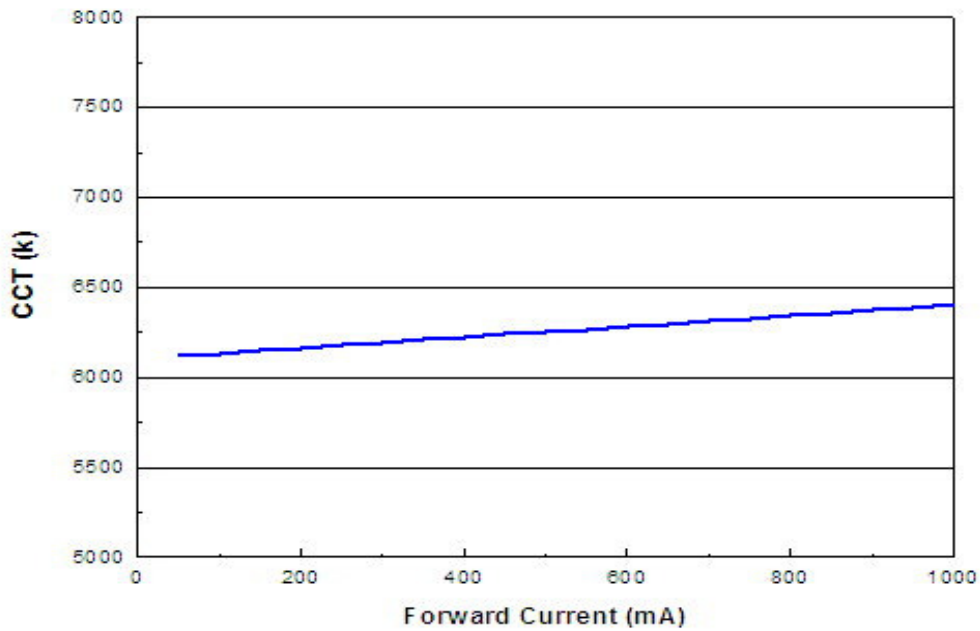


For Far-Red, Deep-Red, Red, Orange, Amber,
@ Thermal Pad Temperature = 25°C

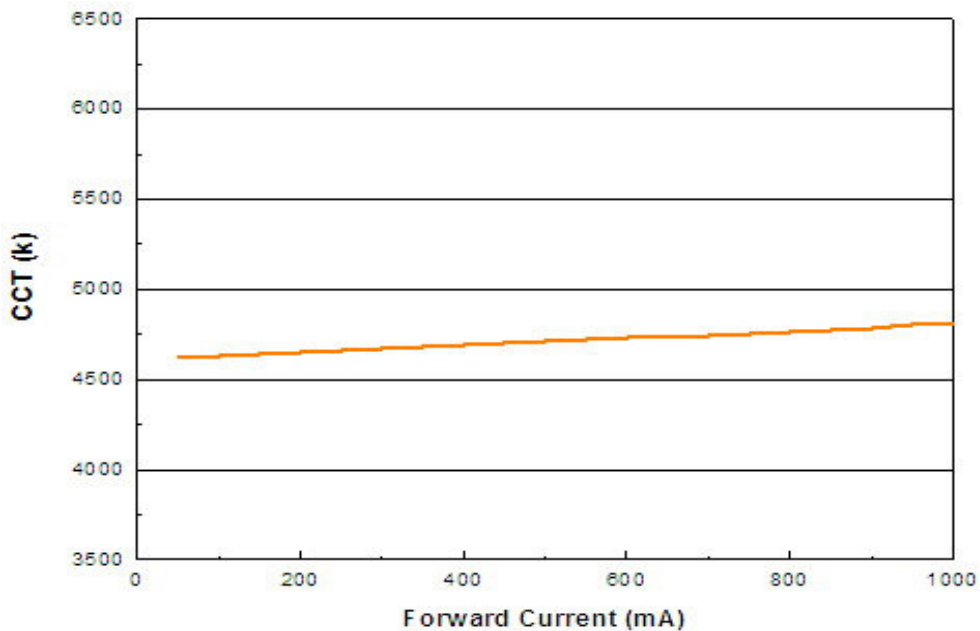


Typical Wavelength & CCT Shift Characteristics V.S. Forward Current

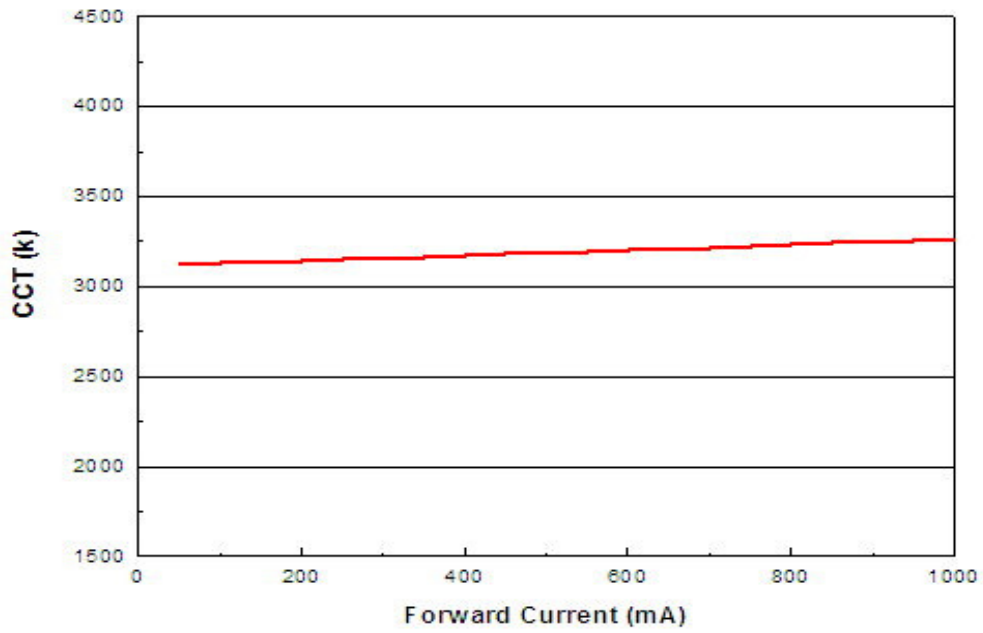
For Cool-White @ Thermal Pad Temperature = 25°C



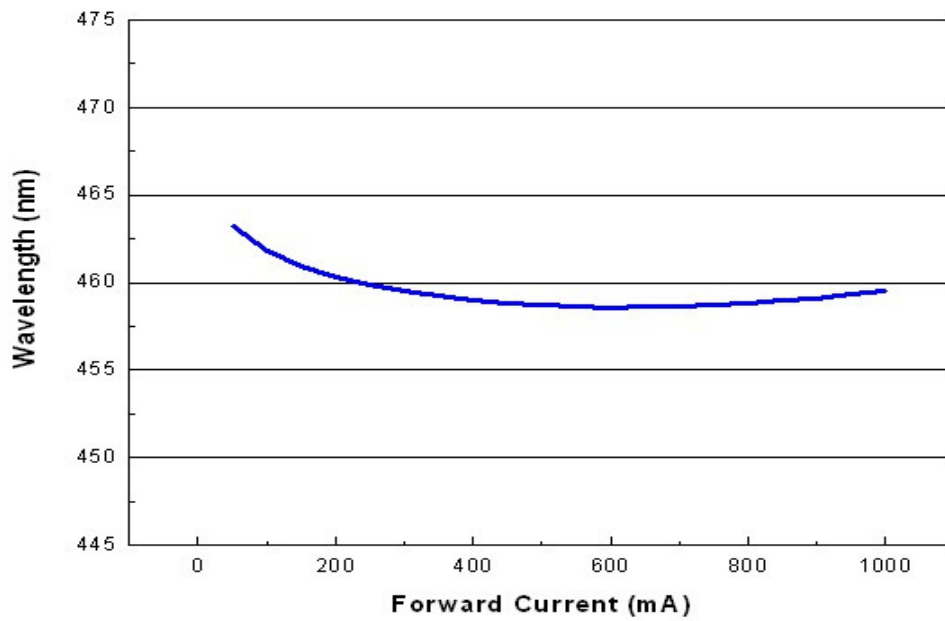
For Neutral-White @ Thermal Pad Temperature = 25°C



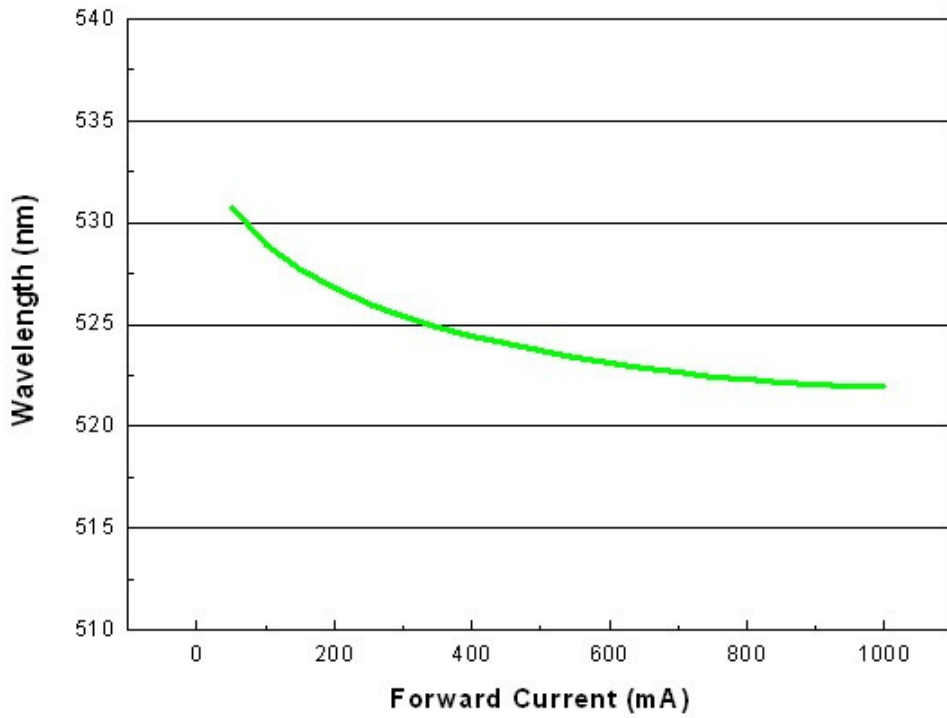
For Warm-White @ Thermal Pad Temperature = 25°C



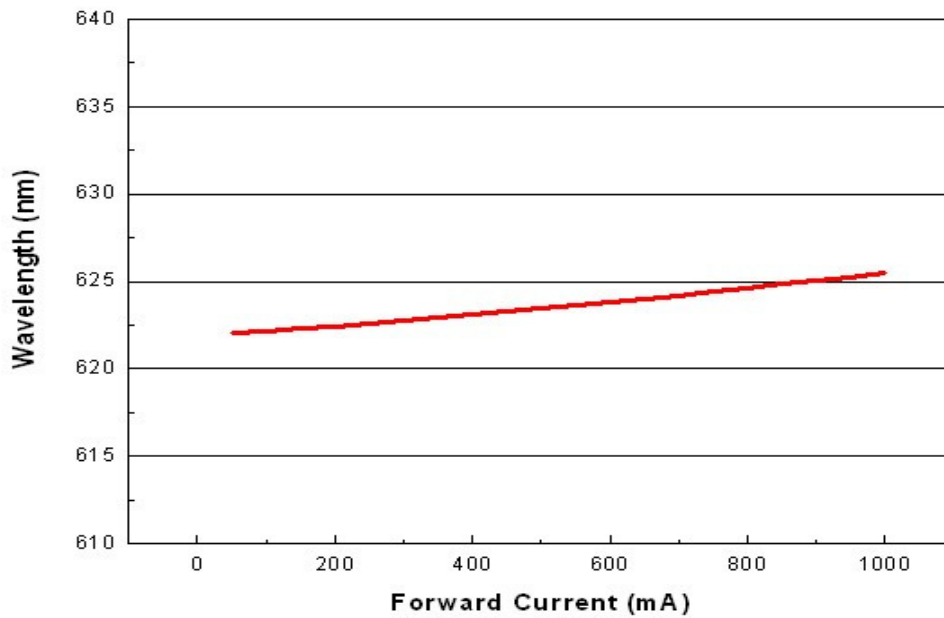
For Blue @ Thermal Pad Temperature = 25°C



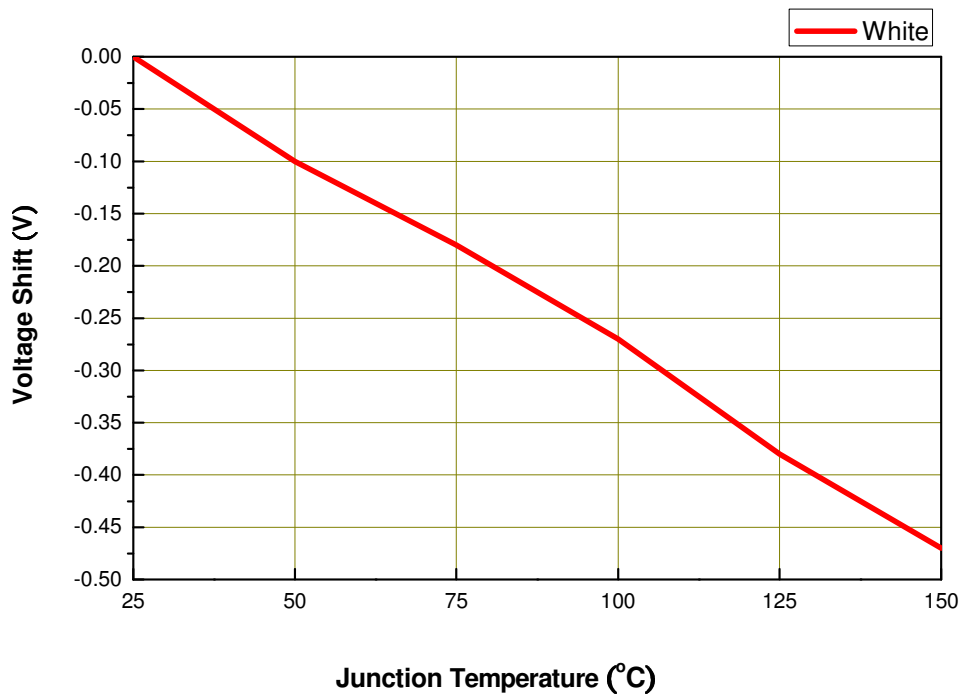
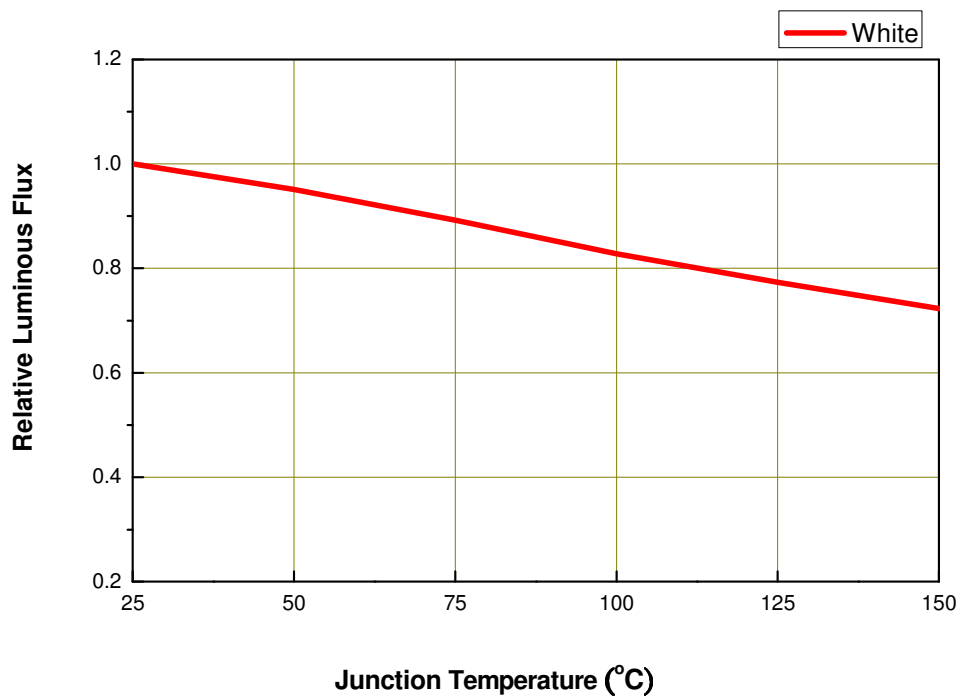
For Green @ Thermal Pad Temperature = 25°C



For Red @ Thermal Pad Temperature = 25°C

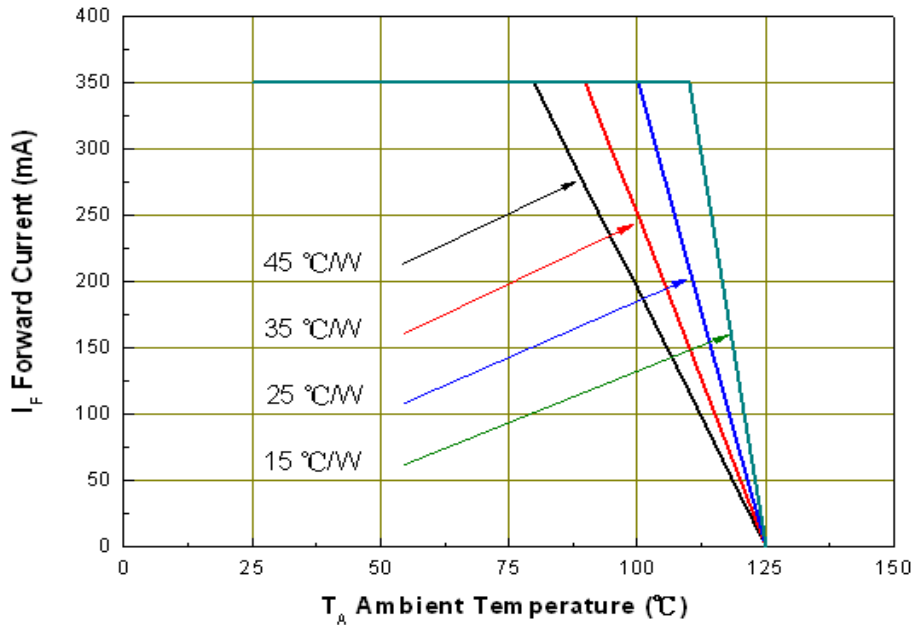


Relative Flux and Forward Voltage V.S. Junction Temperature (IF = 350 mA)

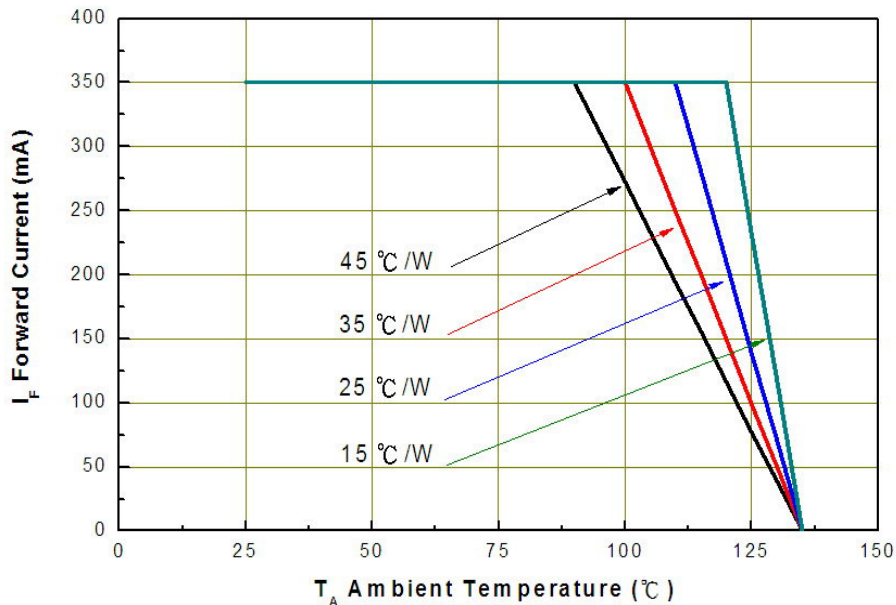


Current Derating Curves

Current Derating Curve for 350mA Drive Current Cool-White, Neutral-White, Warm-White, Green, Cyan, Blue, Royal-Blue



Current Derating Curve for 350mA Drive Current Far-Red, Deep-Red, Red, Amber, Yellow

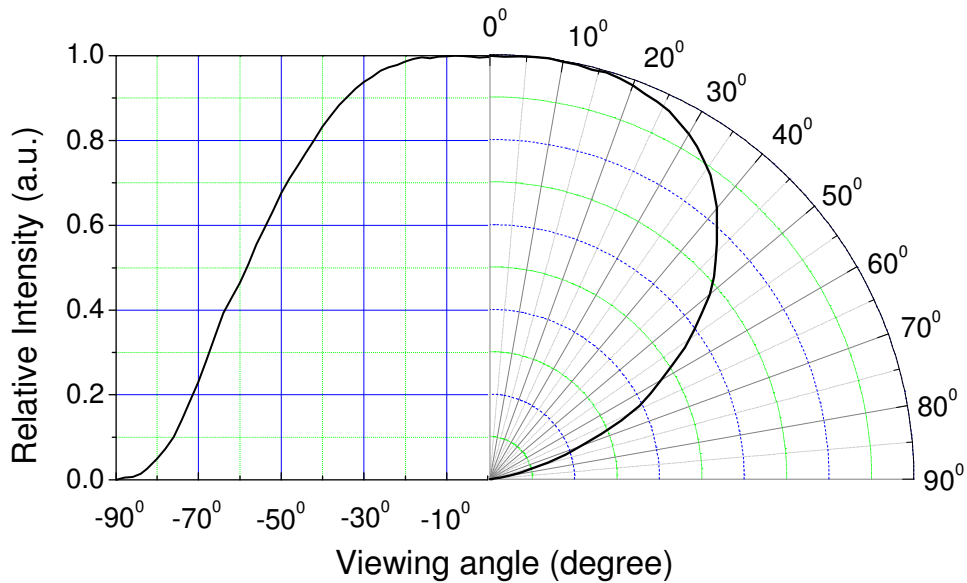


Note:

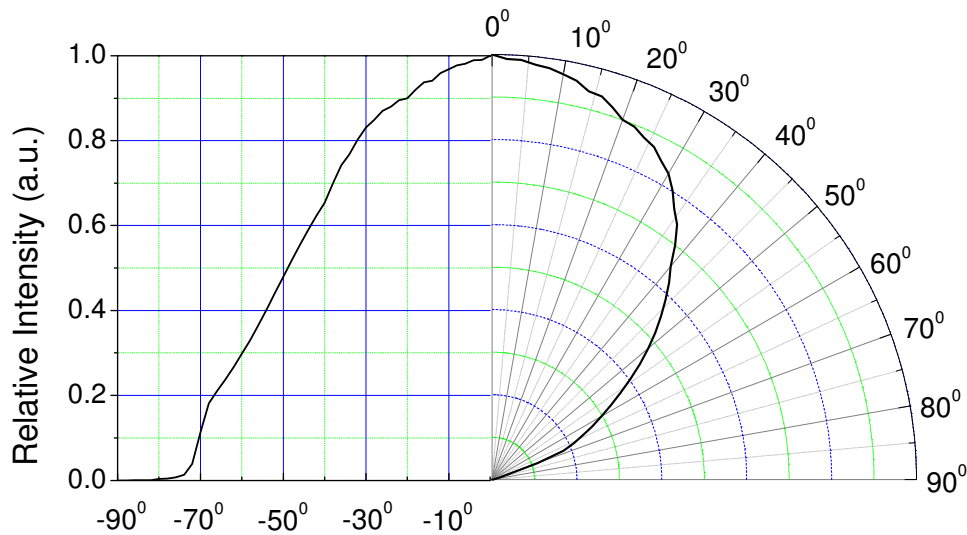
The current derating curves are depending on the thermal resistance between the junction to the soldering pad.

Typical Radiation Patterns

Shuen series: Typical Diagram Characteristics of Radiation for Cool-White, Neutral-White, Warm-White Lambertian



Shuen High Luminous Series Typical Diagram Characteristics of Radiation for Cool-White, Neutral-White, Warm-White Lambertian



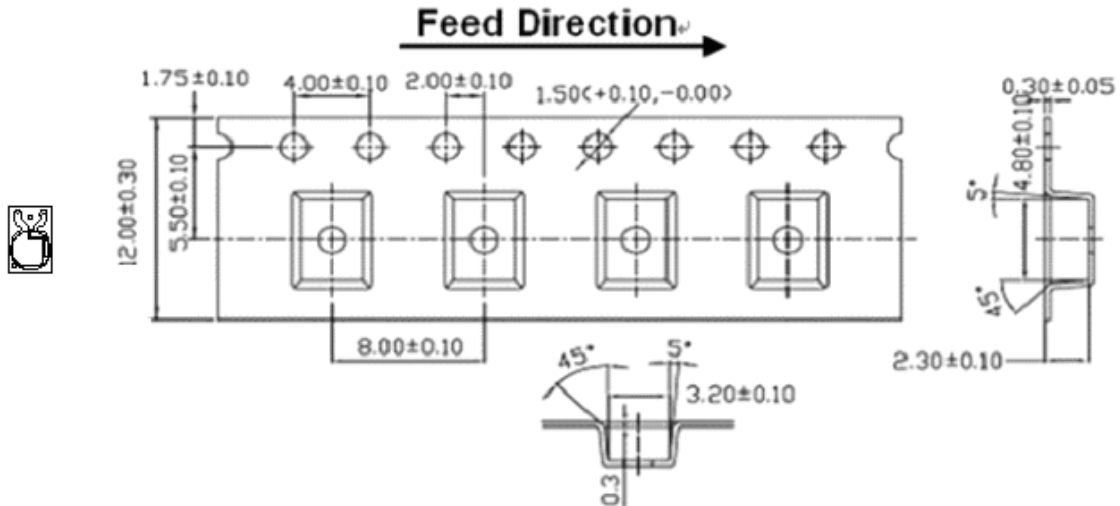
Notes:

1. $2\theta_{1/2}$ is the off axis angle from lamp centerline where the luminous intensity is 1/2 of the peak value.
2. View angle tolerance is $\pm 5^\circ$.

Emitter Tape Packaging

Carrier Tape Dimensions as the following:

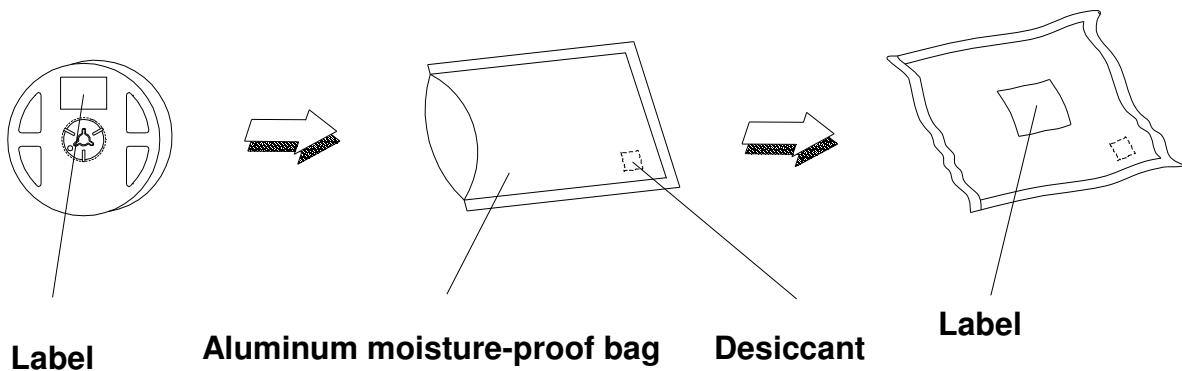
Reel: 400pcs, $MOQ \geq 2K$ pcs(has to be a multiple of 400pcs)



Notes:

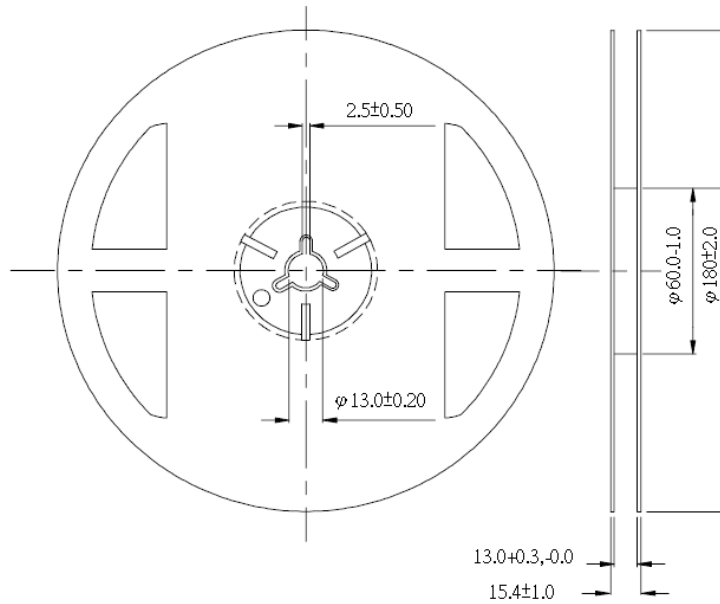
1. Dimensions are in millimeters.
2. Tolerances for fixed dimensions are ± 0.1 mm.

Moisture Resistant Packaging



Emitter Reel Packaging

Reel Dimensions



Notes :

1. Dimensions are in millimeters.
2. Tolerances unless mentioned are ± 0.1 mm.

Product Labeling

Label Explanation

CPN: Customer Specification (when required)

P/N : Everlight Production Number

QTY: Packing Quantity

CAT: Luminous Flux (Brightness) Bin

HUE: Color Bin

REF: Forward Voltage Bin

LOT No: Lot Number

MADE IN TAIWAN: Production Place



Storage Conditions

- Before the package is opened. The LEDs should be stored at 30°C or less and 85%RH or less after being shipped from Everlight and the storage life limits are 1 year. The LEDs can be stored up to 3 years if in a sealed container with a nitrogen atmosphere and moisture absorbent material.
- After opening the package: The LED's floor life is 1 year under 30°C or less and 60%RH or less. The LED should be soldered with 168hrs (7days) after opening the package. If unused LEDs remain, it should be stored in moisture proof packages.
- If the moisture absorbent material (silica gel) has faded away or the LEDs have exceeded the storage time, baking treatment should be performed using the following conditions. Baking treatment: 60±5°C for 24 hours.

Revision History

Current version: 11/07/2011
Issue No: DHE-0000751
Version. 14



| Page | Subjects (major change in previous version) | Date of change |
|----------------------|---|----------------|
| 6 | Added a new PN that reaches CRI 90 | 01/03/10 |
| 18 | Created a new feature to recognize the optical center. | 02/09/10 |
| 14、4、5、6、7 | Added a new voltage bin group. Luminous Flux Characteristics for the Shuen series | 04/12/10 |
| 8 | Added new Deep-Red / Far-Red PN. | 05/14/10 |
| 3、4、5、8、14、 16、17 | 1. Modify Product Nomenclature and Absolute Maximum Ratings 2. Added Royal Blue 3. Added Forward Voltage Bins 4. Modify Deep-Red & Far-Red Forward Voltage | 01/21/11 |
| 6 | Modify CRI and measurement tolerance new_template_V2 | 02/11/11 |
| 7、8、33、37 | Added new PN, radiation patterns and storage conditions. | 04/28/11 |
| 9、22、23 | Added new P/N, Pad Configuration and Mechanical Dimension for ELSH-F61R1-0PPNM-AR5R6 and ELSH-F61O1-0PPNM-AR3R4. | 05/03/11 |
| 20、22 | Modify Mechanical Dimension | 05/23/11 |
| 6、7、8、17、19 | Added new PN, Modify Forward Voltage Bins and Optical Characteristics of white LED series. | 06/17/11 |
| 9、10、37 | Added new PN and Modify Carrier Tape Dimensions & Note. | 08/31/11 |
| 7、9 | Modify product note & Add PN | 09/07/11 |
| 36、37 | Modify the minimum amount of packaging Modify Typical Radiation Patterns | 10/28/11 |

Looking for pricing, stock, or lifecycle information?

Click below to explore more details on WIN SOURCE:

-  [View ELSH-F71G1-0LPNM-CG1G2 on WIN SOURCE](#)
-  [Everlight Electronics Co Ltd Information](#)

Optimize Your Supply Chain with WIN SOURCE Solutions

-  Global Sourcing Solution
-  Obsolete Management
-  Cost Control Management
-  Shortage Management
-  Alternative Solution
-  Excess Inventory Management