

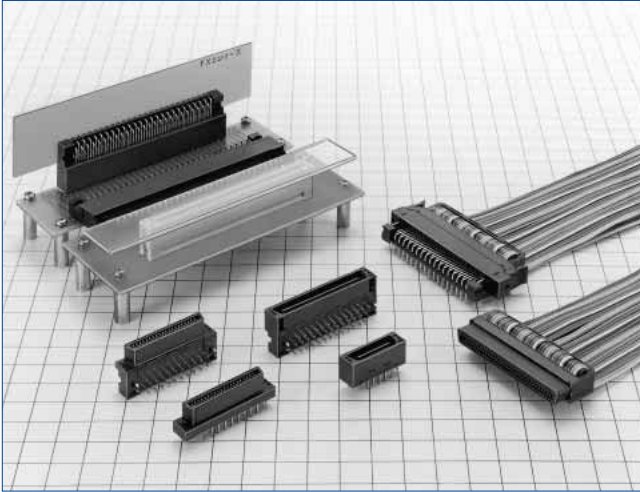


**THE DATASHEET OF
FX2-100S-1.27SVL(71)**

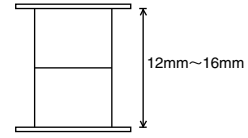


1.27mm Pitch Multi-function Two Piece Connector

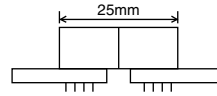
FX2 Series



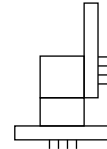
Stacking connection (Stack height : 12~16mm)



Horizontal Connection



Vertical Connection



Features

1. Various connection with various product line

Stacking connection		Vertical type		Cable connection
Through hole type	SMT type	Through hole type	SMT type	
↓				
		Through hole type	SMT type	Cable only

Through hole type 	⇔	Horizontal type
SMT type 		
Cable only 	⇔	Vertical type
		Through hole type
Cable only 	⇔	SMT type
		Cable connection

2. Easy One-Touch Operation

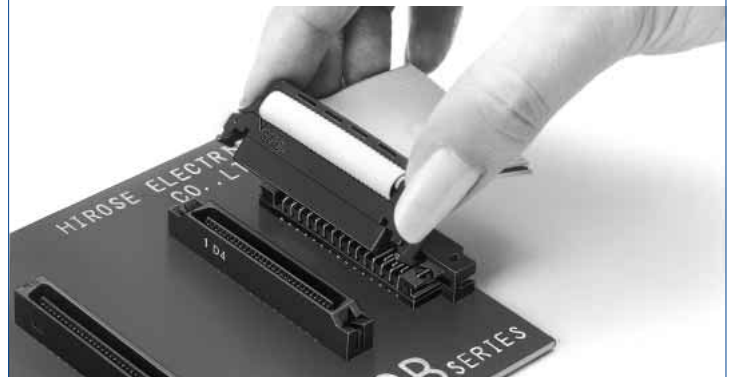
The ribbon cable connection type allows easy one-touch operation with either single hand.

Insertion and Extraction

(1) Pick internal locks with thumb and the index finger.



(2) With unique and preferable click feeling, the cable and connector can be inserted or withdrawn.



(For insertion, the operation proceeds from procedure (2) to (1).)

3. Board to board type

① Flux swell prevention

The straight through hole type takes the complete flux tight action from the board back side at solder dipping. The type is prepared, corresponding to whether or not cleaning is required.

② Stack height 12mm to 16mm

The board stack height can be set to every 1mm unit up to 12 to 16mm.

③ Mis-insertion preventive mechanism

The mating area is designed in a mechanism so as to prevent mis-insertion, and complete countermeasures have been taken against wrenching.

4. Board to cable type

① Complete lock with easy operation

Employing the inner lock system, complete lock and eject actions can be performed with easy operation.

② Applicable cable

The applicable cable is the <UL2651>AWG#28 flat cable (7/0.127mm), and the jacket size is 0.9±0.1mm.

5. SMT type

Strength security with metaltab

The right angle type is equipped with metaltab to secure soldering strength, and constructed so as to fix by screws. The straight type can choose whether or not metaltab are required.

■Applications

Computers, peripheral equipments, various machines etc.

■Product Specifications

Rating	Current rating 0.5A	Operating Temperature Range -55°C to +85°C (Note 1)	Storage Temperature Range -10°C to +60°C (Note 2)
	Voltage rating 125V AC	Operating Humidity Range 40 to 80%	Storage Humidity Range 40 to 70% (Note 2)

Item	Specification	Condition
1. Insulation Resistance	1000MΩ min	250V DC
2. Withstanding Voltage	No flashover or insulation breakdown.	300V AC/1 minute
3. Contact Resistance	45mΩ max.	100mA
4. Vibration	No electrical discontinuity of 1μs or more	Frequency : 10 to 55Hz, single amplitude of 0.75mm, 2 hours in each of the 3 directions.
5. Humidity (Steady state)	Contact resistance : 55mΩ max. Insulation resistance : 100MΩ min.	96 hours at temperature of 40°C and humidity of 90% to 95%
6. Temperature Cycle	Contact resistance : 55mΩ max. Insulation resistance : 100MΩ min. No damage, cracks, or parts looseness.	(-55°C : 30 minutes → 15 to 35°C : 2 to 3 minutes → 85°C : 30 minutes → 15 to 35°C : 2 to 3 minutes) 5 cycles
7. Durability (Mating/un-mating)	Contact resistance : 55mΩ max.	500 cycles
8. Resistance to soldering heat	No deformation of components affecting performance.	SMT Type Reflow : At the recommended temperature profile Manual soldering : 360°C for 5 seconds
		DIP Type Solder bath : 260°C for 10 seconds Manual soldering : 360°C for 5 seconds

Note 1 : Includes temperature rise caused by current flow.

Note 2 : The term "storage" refers to products stored for long period of time prior to mounting and use. Operating Temperature Range and Humidity range covers non conducting condition of installed connectors in storage, shipment or during transportation.

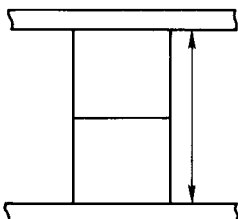
Note 3 : Information contained in this catalog represents general requirements for this Series. Contact us for the drawings and specifications for a specific part number shown.

■Material

Parts		Material	Finish	Remark
Insulator	Dip type	Polyamid	Black	UL94V-0
	Socket	PBT/Polyamid		
	SMT type	PPS	Light brown	
Contact	Receptacle	Phosphor bronze	Selective gold plated	_____
	Socket			
	Header	Phosphor bronze or brass		

■Stacking Variation

Unit:mm



Header \ Receptacle		Dip type		SMT type
		FX2C-*S-1.27DSA(L)	FX2C2-*S-1.27DSA(L)	FX2-*S-1.27SV(L)
Dip type	FX2C-*P-1.27DSA(L)	12	14.0	12.2
	FX2CA-*P-1.27DSA(L)			
	FX2CA1-*P-1.27DSA(L)	13	15.0	13.2
	FX2CA2-*P-1.27DSA(L)	14	16.0	14.2
SMT type	FX2-*P-1.27SV(L)	12.1	14.1	12.3

Ordering Information

Board to Board Receptacle

FX2 CA 2 - * S - 1.27 DSA L
1 2 3 4 5 6 7 8

1 Series Name : FX2	4 Number of contacts : 20, 32, 40, 52, 60, 68, 80, 100, 120
2 Blank : Right angle type C : Straight non-cleaning type CA : Straight cleaning type	5 Connector type : S : Receptacle
3 Product height variation (DSA only) Blank : Standard product 2 : +2mm	6 Contact pitch : 1.27mm
	7 Contact type DS : Right angle type DSA : Straight type
	8 L : Board prefixed pin

Board to Board Header

FX2 CA 1 - * P - 1.27 DSA L
1 2 3 4 5 6 7 8

1 Series Name : FX2	4 Number of contacts : 20, 32, 40, 52, 60, 68, 80, 100, 120
2 None : Right angle type C : Straight non-cleaning type CA : Straight cleaning type	5 Connector type : P : header
3 Product height variation (DSA only) Blank : Standard product 1 : +1mm 2 : +2mm	6 Contact pitch : 1.27mm
	7 Contact type : DS : Right angle type DSA : Straight type
	8 L : Board prefixed pin

Note 1. C and CA take complete countermeasures against flux.
 Note 2. Cleaning type : the liquid escape hole is added at dip cleaning.
 Note 3. No-cleaning type : no liquid escape hole is added at dip cleaning.

Board to Cable Socket

FX2 BA - * S A - 1.27 R
1 2 3 4 5 6 7

1 Series Name : FX2	4 S : Socket
2 B : Lock cable type BA : No lock cable type	5 A : Contact material: phosphor bronze
3 Number of contacts : 20, 32, 40, 52, 60, 68, 80, 100	6 Contact pitch : 1.27mm
	7 R : Insulation displacement

● Board to Cable Header

FX2 BA - * P A - 1.27 DSA L
 ① ② ③ ④ ⑤ ⑥ ⑦ ⑧

① Series Name : FX2	⑤ None : Contact material: phosphor bronze A : Contact material: brass
② B : Lock straight no cleaning type : Lock right angle type BA : Lock straight cleaning type	⑥ Contact pitch : 1.27mm
③ Number of contacts : 20, 32, 40, 52, 60, 68, 80, 100	⑦ Contact type : DS : Right angle type DSA : Straight type
④ Connector type : P : header	⑧ L : Board prefixed pin

Note 1. Cleaning type : The liquid escape hole is added at dip cleaning.
 Note 2. No cleaning type : No liquid escape hole is added at dip cleaning.
 Note 3. Straight 20 and 32 contact types use phosphor bronze for contact material.

● Straight SMT Type

FX2 - * P - 1.27 SV L
 ① ② ③ ④ ⑤ ⑥

① Series Name : FX2	④ Contact pitch : 1.27mm
② Number of contacts : 20, 32, 40, 52, 60, 68, 80, 100, 120	⑤ Contact type : SV : Straight SMT type
③ Connector type : P : Header S : Receptacle	⑥ L : Board prefixed pin

● Header Right Angle SMT Type

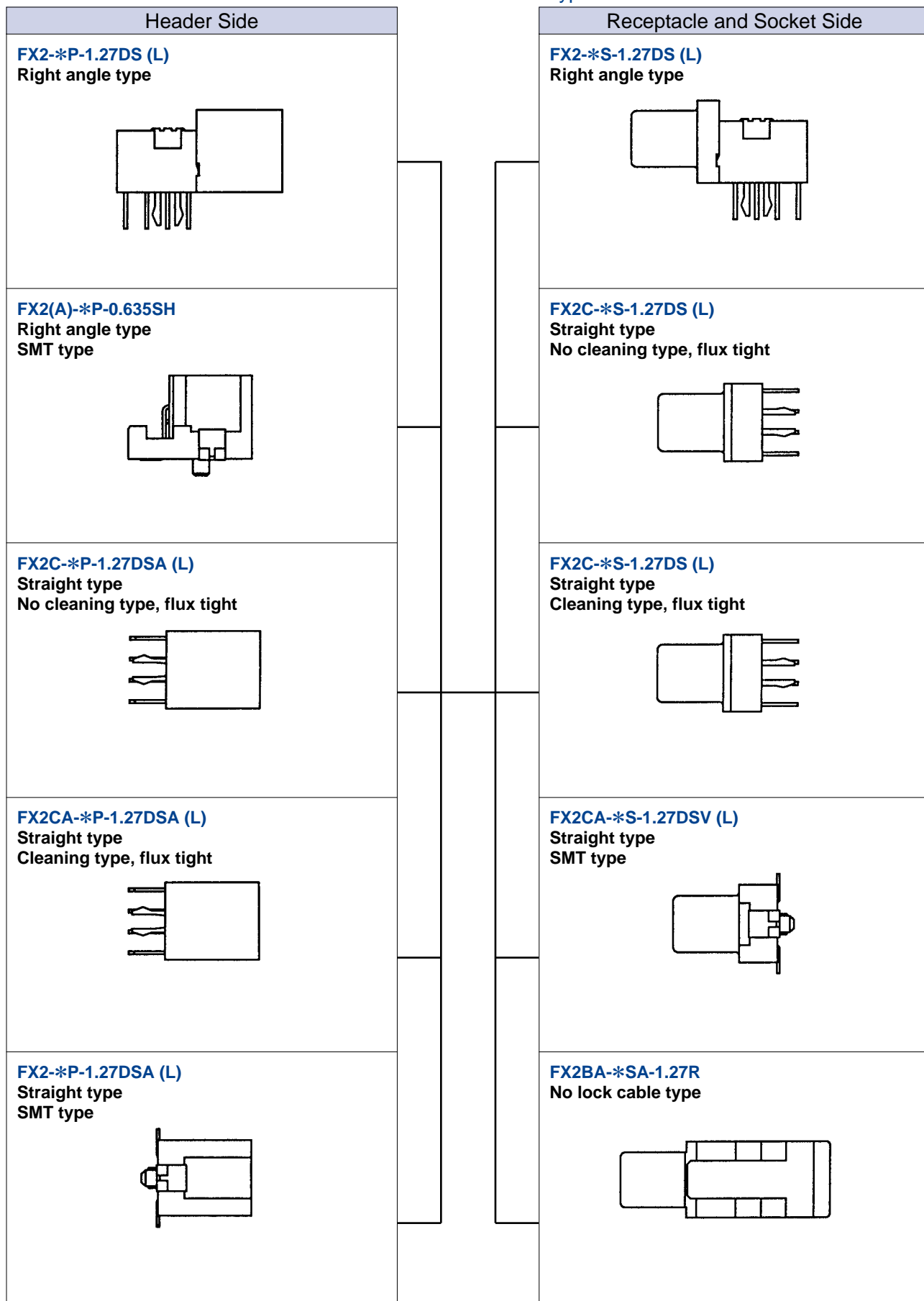
FX2 A - * P - 0.635 SH
 ① ② ③ ④ ⑤ ⑥

① Series Name : FX2	④ Connector type : P : Header
② Blank : With boss A : Without boss	⑤ Mounting area pitch : 0.635mm
③ Number of contacts : 20, 40, 52, 60, 80	⑥ Contact type SH : Right angle SMT type

Jun.1.2024 Copyright 2024 HIROSE ELECTRIC CO., LTD. All Rights Reserved.

◆ FX2 Functional Flow Chart

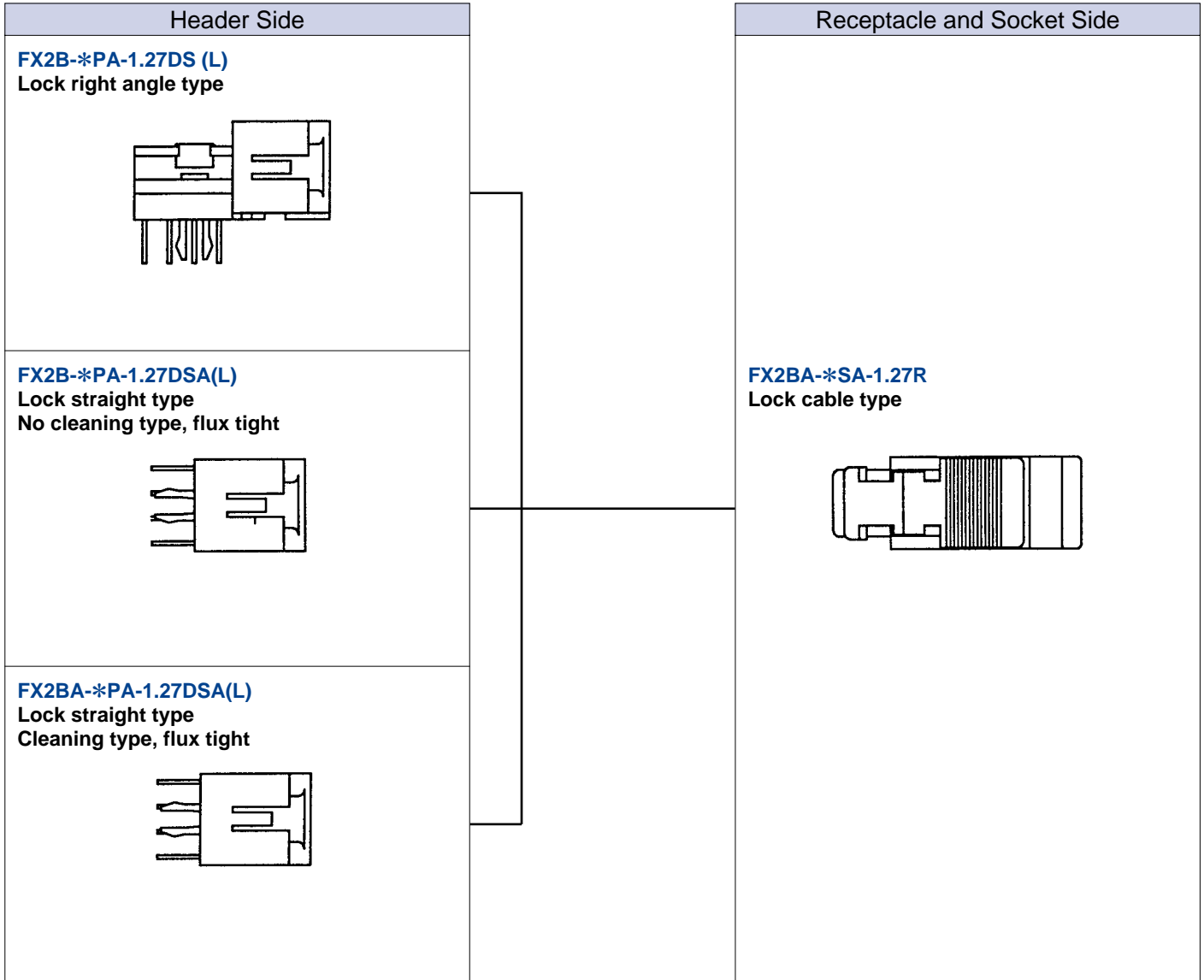
Board to Board Cable Type



Jun.1.2024 Copyright 2024 HIROSE ELECTRIC CO., LTD. All Rights Reserved.

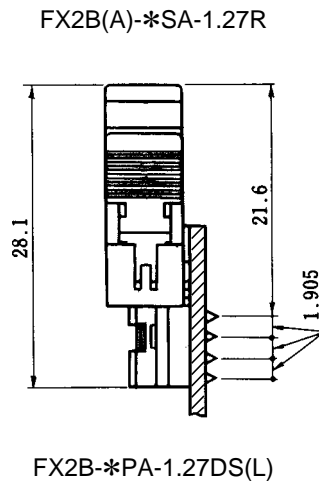
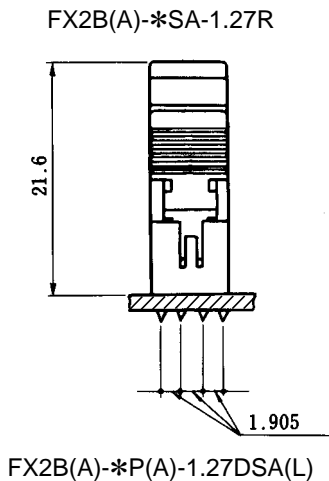
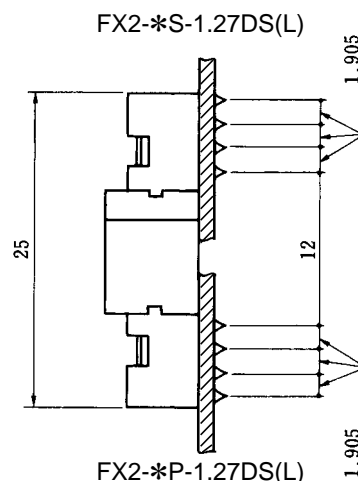
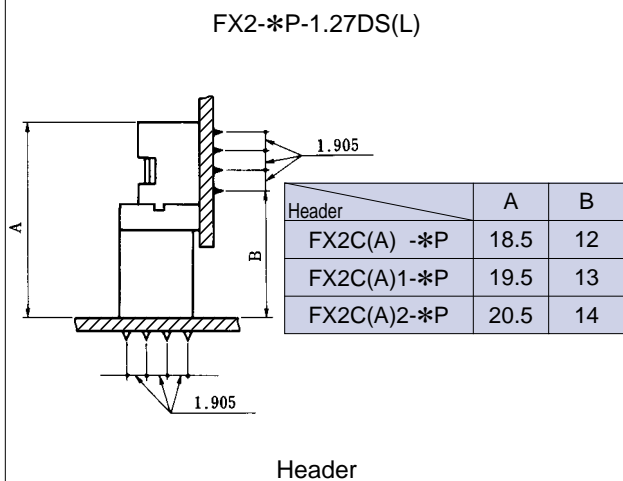
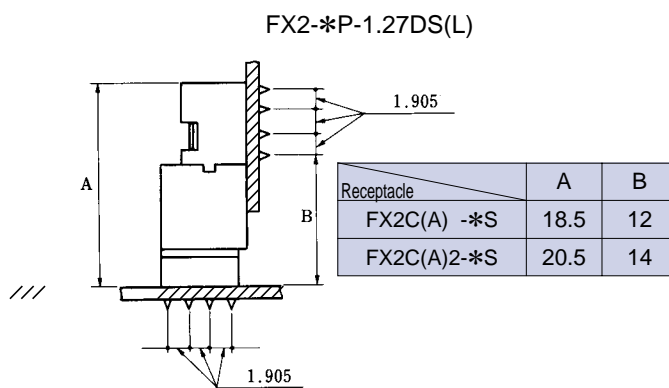
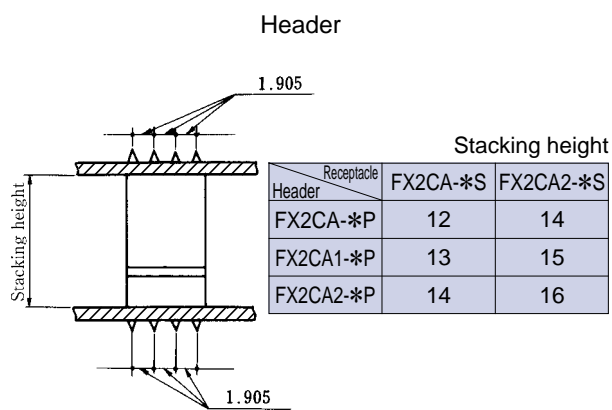
◆ FX2 Functional Flow Chart

Board to Board Cable Type

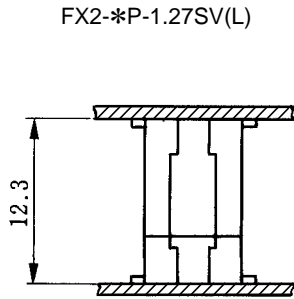


Jun.1.2024 Copyright 2024 HIROSE ELECTRIC CO., LTD. All Rights Reserved.

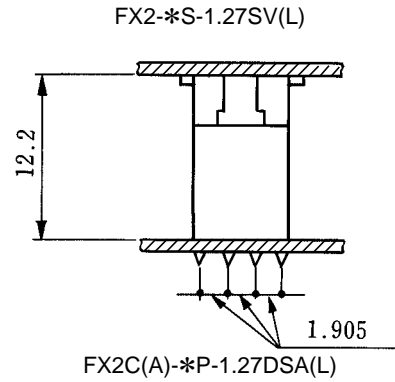
◆ Through hole Type Application Pattern



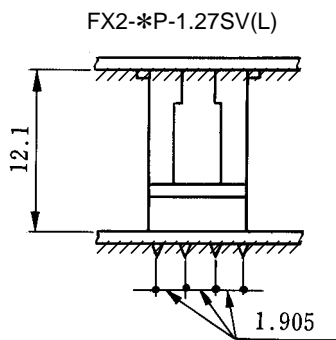
◆ SMT Type Application Pattern



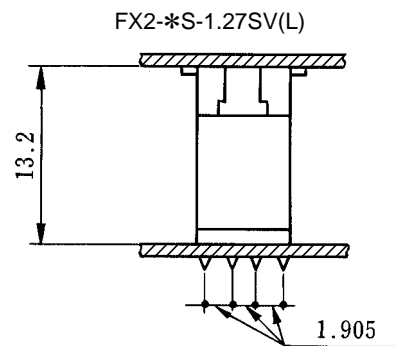
FX2-*S-1.27SV(L)



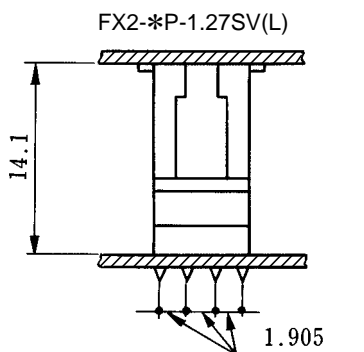
FX2C(A)-*P-1.27DSA(L)



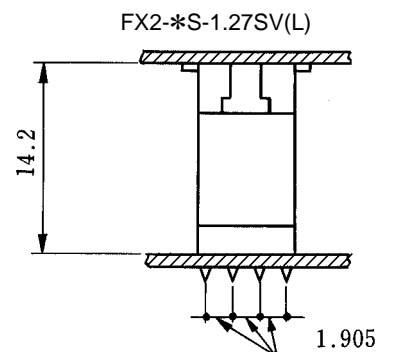
FX2C(A)-*S-1.27-DSA(L)



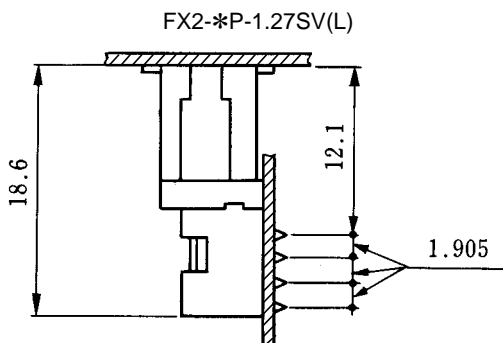
FX2C(A)1-*P-1.27DSA(L)



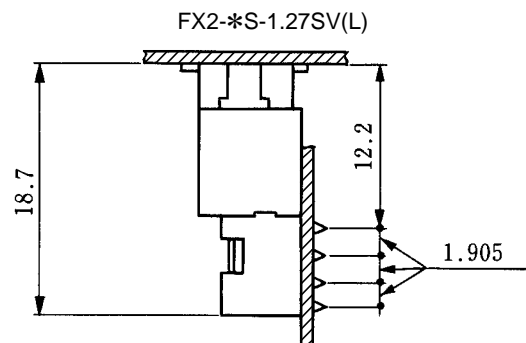
FX2C(A)2-*S-1.27DSA(L)



FX2C(A)2-*P-1.27DSA(L)



FX2-*S-1.27DS(L)

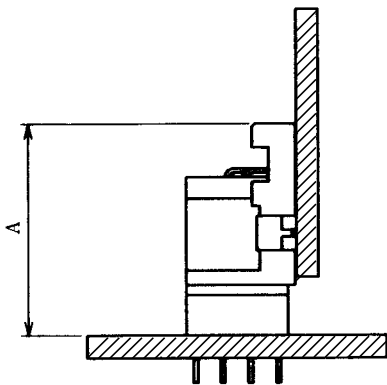


FX2-*P-1.27DS(L)

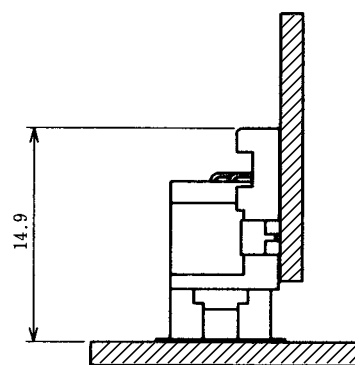
◆ SMT Type Application Pattern

FX2(A)-*P-0.635SH

Receptacle	A
FX2C(A)	14.7
FX2C(A)2	16.7



FX2(A)-*P-0.635SH

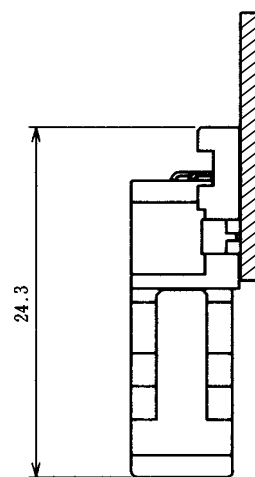
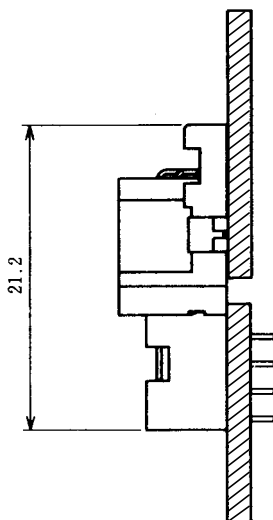


FX2C(A*2)-*S-1.27DSA(L)

FX2-*S-1.27SV(L)

FX2(A)-*P-0.635SH

FX2(A)-*P-0.635SH

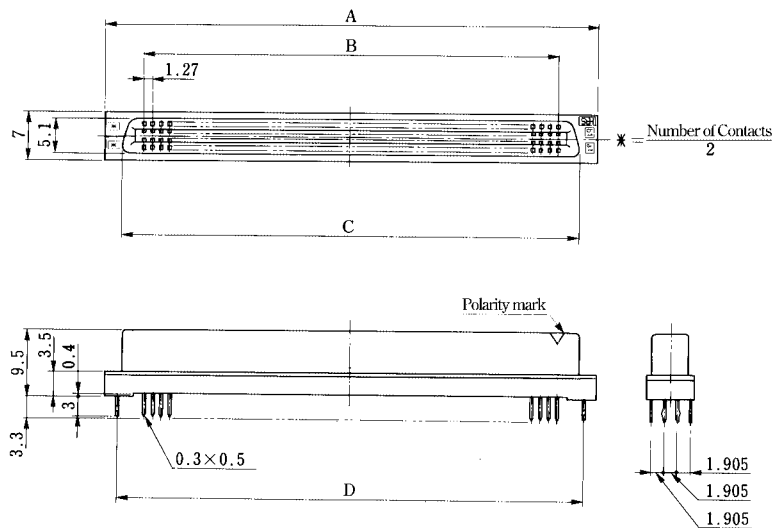
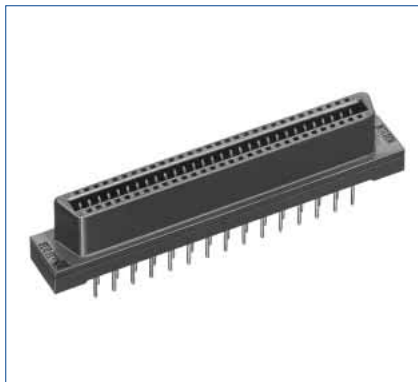


FX2-*S-1.27DS(L)

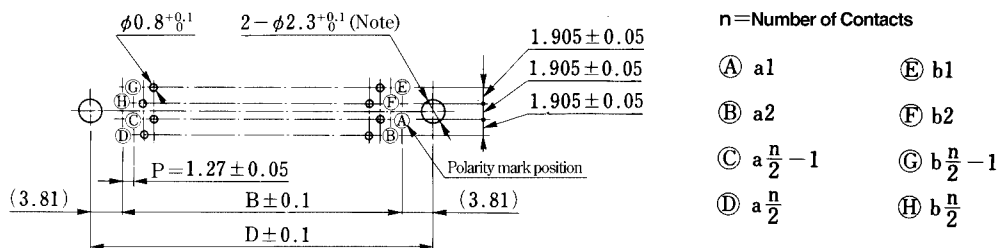
FX2BA-*SA-1.27R

■ Receptacle No Cleaning Type

● Straight Type



◆ PCB mounting pattern



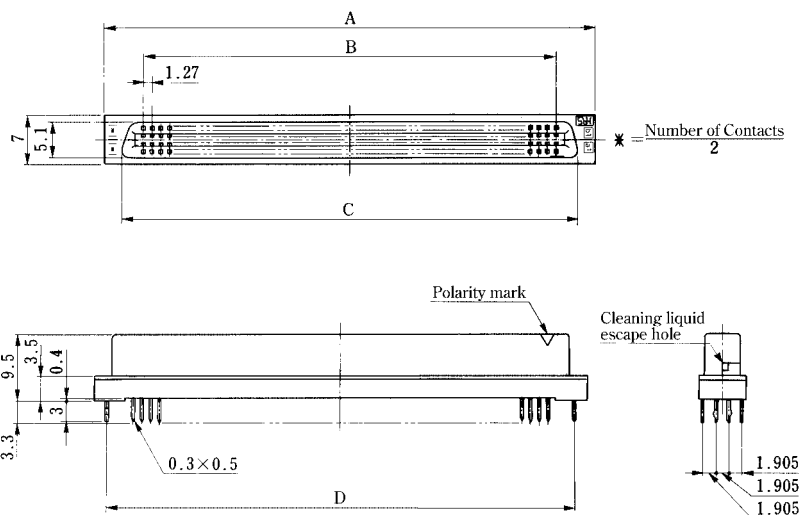
Note: Not required, if no prefixed pin is attached.

Unit : mm

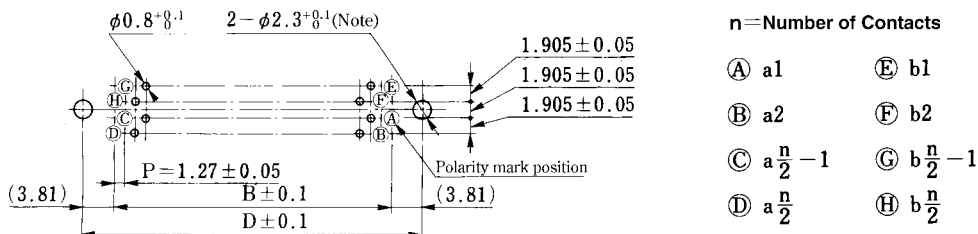
Part No.	HRS No.	No. of Contacts	A	B	C	D	RoHS
FX2C- 20S-1.27DSA(71)	572-2401-7 71	20	22.75	11.43	17.63	_____	YES
FX2C- 20S-1.27DSAL(71)	572-2451-5 71					19.05	
FX2C- 32S-1.27DSA(71)	572-2402-0 71	32	30.37	19.05	25.25	_____	
FX2C- 32S-1.27DSAL(71)	572-2452-8 71					26.67	
FX2C- 40S-1.27DSA(71)	572-2403-2 71	40	35.45	24.13	30.33	_____	
FX2C- 40S-1.27DSAL(71)	572-2453-0 71					31.75	
FX2C- 52S-1.27DSA(71)	572-2404-5 71	52	43.07	31.75	37.95	_____	
FX2C- 52S-1.27DSAL(71)	572-2454-3 71					39.37	
FX2C- 60S-1.27DSA(71)	572-2405-8 71	60	48.15	36.83	43.03	_____	
FX2C- 60S-1.27DSAL(71)	572-2455-6 71					44.45	
FX2C- 68S-1.27DSA(71)	572-2406-0 71	68	53.23	41.91	48.11	_____	
FX2C- 68S-1.27DSAL(71)	572-2456-9 71					49.53	
FX2C- 80S-1.27DSA(71)	572-2407-3 71	80	60.85	49.53	55.73	_____	
FX2C- 80S-1.27DSAL(71)	572-2457-1 71					57.15	
FX2C-100S-1.27DSA(71)	572-2408-6 71	100	73.55	62.23	68.43	_____	
FX2C-100S-1.27DSAL(71)	572-2458-4 71					69.85	
FX2C-120S-1.27DSA(71)	572-2409-9 71	120	86.25	74.93	81.13	_____	
FX2C-120S-1.27DSAL(71)	572-2459-7 71					82.55	

■ Receptacle Cleaning Type

● Straight Type



◆ PCB mounting pattern



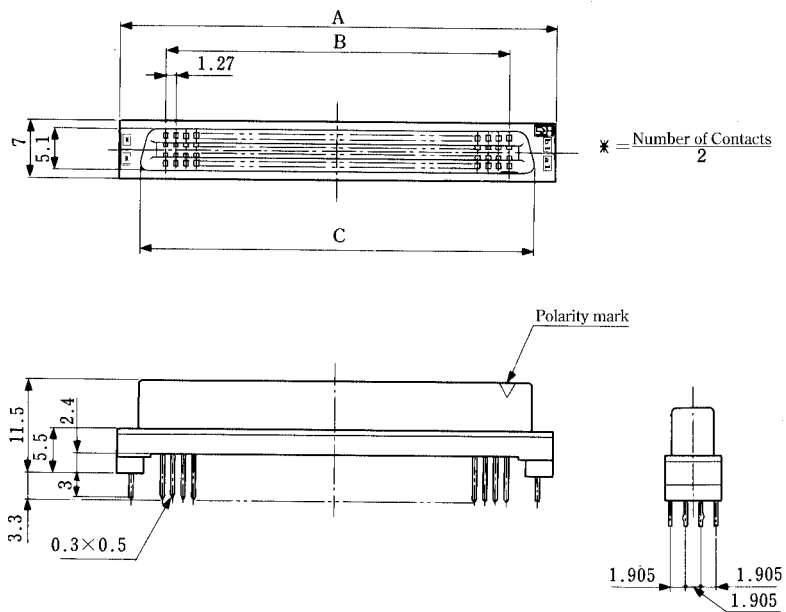
Note: Not required, if no prefixed pin is attached.

Unit : mm

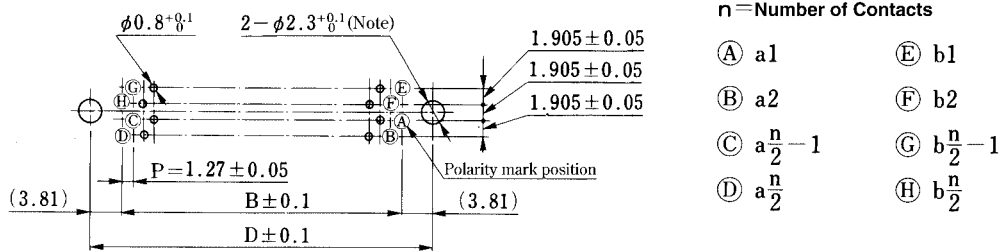
Part No.	HRS No.	No. of Contacts	A	B	C	D	RoHS
FX2CA- 20S-1.27DSA(71)	572-2501-1 71	20	22.75	11.43	17.63	_____	YES
FX2CA- 20S-1.27DSAL(71)	572-2551-0 71					19.05	
FX2CA- 32S-1.27DSA(71)	572-2502-4 71	32	30.37	19.05	25.25	_____	
FX2CA- 32S-1.27DSAL(71)	572-2552-2 71					26.67	
FX2CA- 40S-1.27DSA(71)	572-2503-7 71	40	35.45	24.13	30.33	_____	
FX2CA- 40S-1.27DSAL(71)	572-2553-5 71					31.75	
FX2CA- 52S-1.27DSA(71)	572-2504-0 71	52	43.07	31.75	37.95	_____	
FX2CA- 52S-1.27DSAL(71)	572-2554-8 71					39.37	
FX2CA- 60S-1.27DSA(71)	572-2505-2 71	60	48.15	36.83	43.03	_____	
FX2CA- 60S-1.27DSAL(71)	572-2555-0 71					44.45	
FX2CA- 68S-1.27DSA(71)	572-2506-5 71	68	53.23	41.91	48.11	_____	
FX2CA- 68S-1.27DSAL(71)	572-2556-3 71					49.53	
FX2CA- 80S-1.27DSA(71)	572-2507-8 71	80	60.85	49.53	55.73	_____	
FX2CA- 80S-1.27DSAL(71)	572-2557-6 71					57.15	
FX2CA-100S-1.27DSA(71)	572-2508-0 71	100	73.55	62.23	68.43	_____	
FX2CA-100S-1.27DSAL(71)	572-2558-9 71					69.85	
FX2CA-120S-1.27DSA(71)	572-2509-3 71	120	86.25	74.93	81.13	_____	
FX2CA-120S-1.27DSAL(71)	572-2559-1 71					82.55	

■ Receptacle No Cleaning Type

● Straight Type



◆ PCB mounting pattern



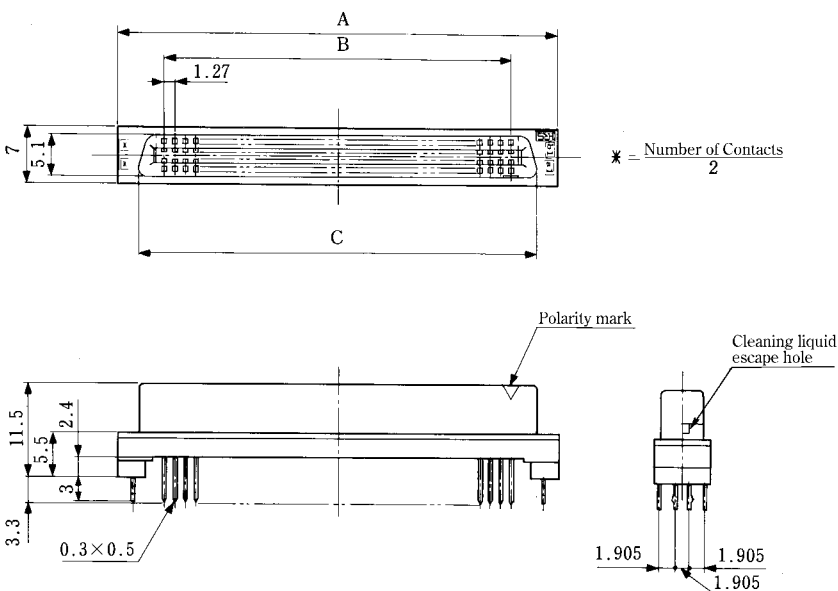
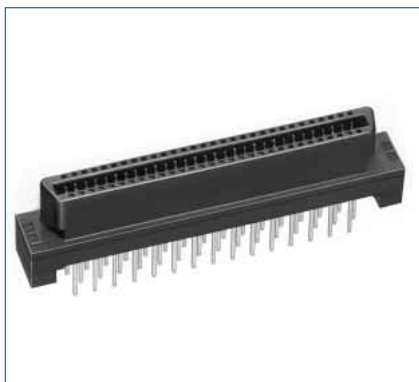
Note: Not required, if no prefixed pin is attached.

Unit : mm

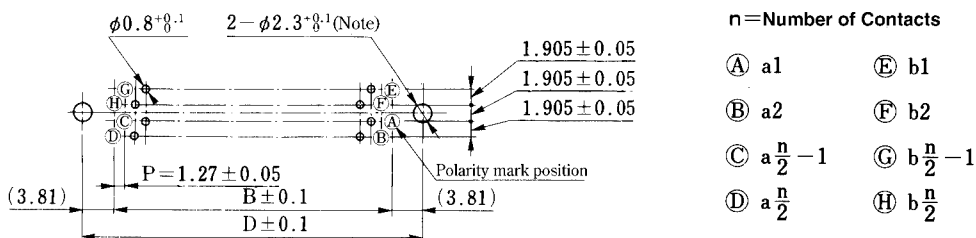
Part No.	HRS No.	No. of Contacts	A	B	C	D	RoHS
FX2C2- 20S-1.27DSA(71)	572-2421-4 71	20	22.75	11.43	17.63	_____	YES
FX2C2- 20S-1.27DSAL(71)	572-2471-2 71					19.05	
FX2C2- 32S-1.27DSA(71)	572-2422-7 71	32	30.37	19.05	25.25	_____	
FX2C2- 32S-1.27DSAL(71)	572-2472-5 71					26.67	
FX2C2- 40S-1.27DSA(71)	572-2423-0 71	40	35.45	24.13	30.33	_____	
FX2C2- 40S-1.27DSAL(71)	572-2473-8 71					31.75	
FX2C2- 52S-1.27DSA(71)	572-2424-2 71	52	43.07	31.75	37.95	_____	
FX2C2- 52S-1.27DSAL(71)	572-2474-0 71					39.37	
FX2C2- 60S-1.27DSA(71)	572-2425-5 71	60	48.15	36.83	43.03	_____	
FX2C2- 60S-1.27DSAL(71)	572-2475-3 71					44.45	
FX2C2- 68S-1.27DSA(71)	572-2426-8 71	68	53.23	41.91	48.11	_____	
FX2C2- 68S-1.27DSAL(71)	572-2476-6 71					49.53	
FX2C2- 80S-1.27DSA(71)	572-2427-0 71	80	60.85	49.53	55.73	_____	
FX2C2- 80S-1.27DSAL(71)	572-2477-9 71					57.15	
FX2C2-100S-1.27DSA(71)	572-2428-3 71	100	73.55	62.23	68.43	_____	
FX2C2-100S-1.27DSAL(71)	572-2478-1 71					69.85	
FX2C2-120S-1.27DSA(71)	572-2429-6 71	120	86.25	74.93	81.13	_____	
FX2C2-120S-1.27DSAL(71)	572-2479-4 71					82.55	

Receptacle Cleaning Type

Straight Type



PCB mounting pattern



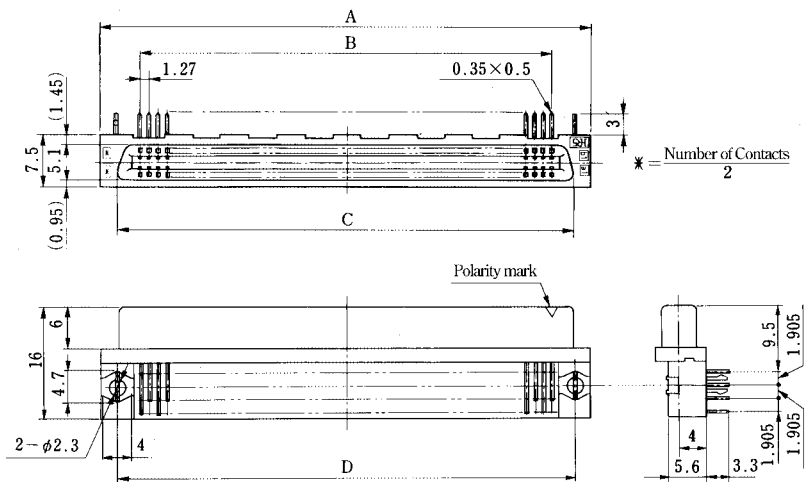
Note: Not required, if no prefixed pin is attached.

Unit : mm

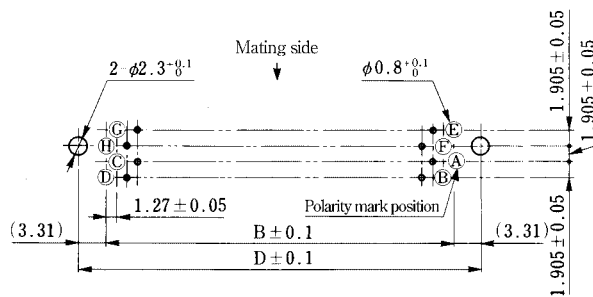
Part No.	HRS No.	No. of Contacts	A	B	C	D	RoHS
FX2CA2- 20S-1.27DSA(71)	572-2521-9 71	20	22.75	11.43	17.63	_____	YES
FX2CA2- 20S-1.27DSAL(71)	572-2571-7 71					19.05	
FX2CA2- 32S-1.27DSA(71)	572-2522-1 71	32	30.37	19.05	25.25	_____	
FX2CA2- 32S-1.27DSAL(71)	572-2572-0 71					26.67	
FX2CA2- 40S-1.27DSA(71)	572-2523-4 71	40	35.45	24.13	30.33	_____	
FX2CA2- 40S-1.27DSAL(71)	572-2573-2 71					31.75	
FX2CA2- 52S-1.27DSA(71)	572-2524-7 71	52	43.07	31.75	37.95	_____	
FX2CA2- 52S-1.27DSAL(71)	572-2574-5 71					39.37	
FX2CA2- 60S-1.27DSA(71)	572-2525-0 71	60	48.15	36.83	43.03	_____	
FX2CA2- 60S-1.27DSAL(71)	572-2575-8 71					44.45	
FX2CA2- 68S-1.27DSA(71)	572-2526-2 71	68	53.23	41.91	48.11	_____	
FX2CA2- 68S-1.27DSAL(71)	572-2576-0 71					49.53	
FX2CA2- 80S-1.27DSA(71)	572-2527-5 71	80	60.85	49.53	55.73	_____	
FX2CA2- 80S-1.27DSAL(71)	572-2577-3 71					57.15	
FX2CA2-100S-1.27DSA(71)	572-2528-8 71	100	73.55	62.23	68.43	_____	
FX2CA2-100S-1.27DSAL(71)	572-2578-6 71					69.85	
FX2CA2-120S-1.27DSA(71)	572-2529-0 71	120	86.25	74.93	81.13	_____	
FX2CA2-120S-1.27DSAL(71)	572-2579-9 71					82.55	

■ Receptacle

● Right Angle Type



◆ PCB mounting pattern



n = Number of Contacts

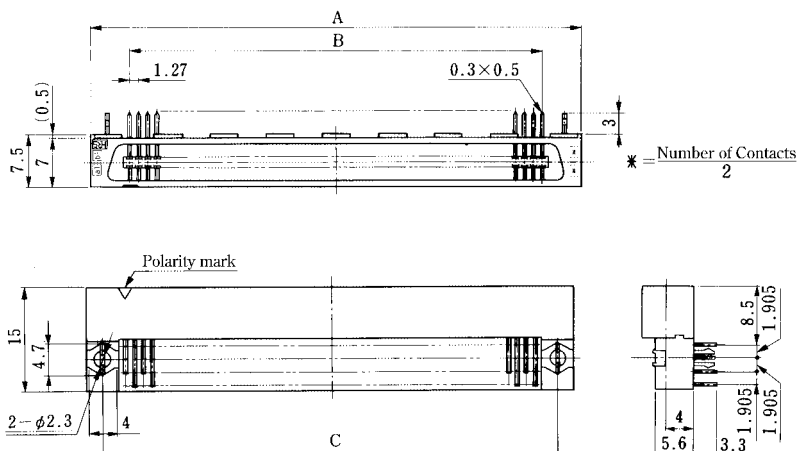
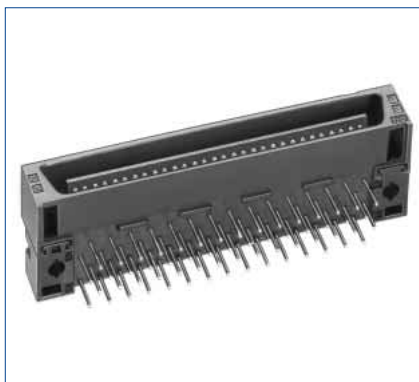
- Ⓐ a1 Ⓔ b1
- Ⓑ a2 ⓕ b2
- Ⓒ $a \frac{n}{2} - 1$ ⓖ $b \frac{n}{2} - 1$
- Ⓓ $a \frac{n}{2}$ ⓓ $b \frac{n}{2}$

Unit : mm

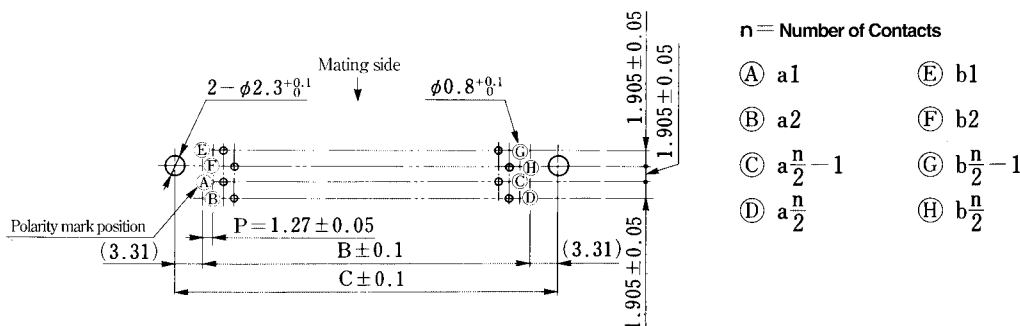
Part No.	HRS No.	No. of Contacts	A	B	C	D	D
FX2- 20S-1.27DS(71)	572-2701-0 71	20	22.75	11.43	17.63	18.05	YES
FX2- 20S-1.27DSL(71)	572-2751-9 71						
FX2- 32S-1.27DS(71)	572-2702-3 71	32	30.37	19.05	25.25	25.67	
FX2- 32S-1.27DSL(71)	572-2752-1 71						
FX2- 40S-1.27DS(71)	572-2703-6 71	40	35.45	24.13	30.33	30.75	
FX2- 40S-1.27DSL(71)	572-2753-4 71						
FX2- 52S-1.27DS(71)	572-2704-9 71	52	43.07	31.75	37.95	38.37	
FX2- 52S-1.27DSL(71)	572-2754-7 71						
FX2- 60S-1.27DS(71)	572-2705-1 71	60	48.15	36.83	43.03	43.45	
FX2- 60S-1.27DSL(71)	572-2755-0 71						
FX2- 68S-1.27DS(71)	572-2706-4 71	68	53.23	41.91	48.11	48.53	
FX2- 68S-1.27DSL(71)	572-2756-2 71						
FX2- 80S-1.27DS(71)	572-2707-7 71	80	60.85	49.53	55.73	56.15	
FX2- 80S-1.27DSL(71)	572-2757-5 71						
FX2-100S-1.27DS(71)	572-2708-0 71	100	73.55	62.23	68.43	68.85	
FX2-100S-1.27DSL(71)	572-2758-8 71						
FX2-120S-1.27DS(71)	572-2709-2 71	120	86.25	74.93	81.13	81.55	
FX2-120S-1.27DSL(71)	572-2759-0 71						

Header

Right Angle Type



PCB mounting pattern

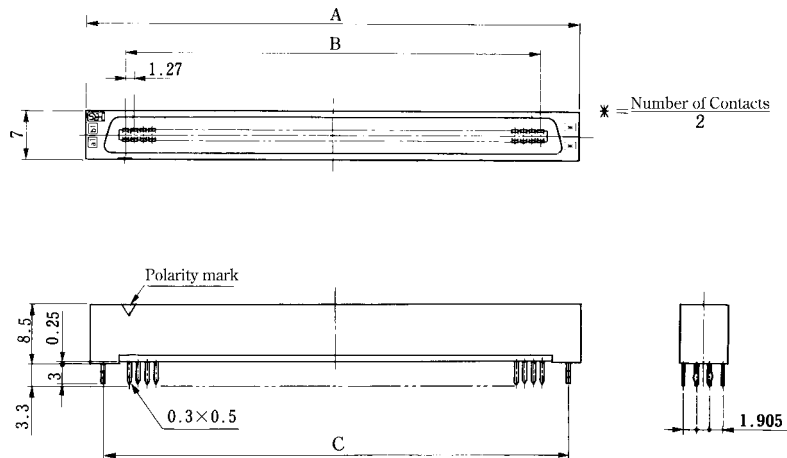
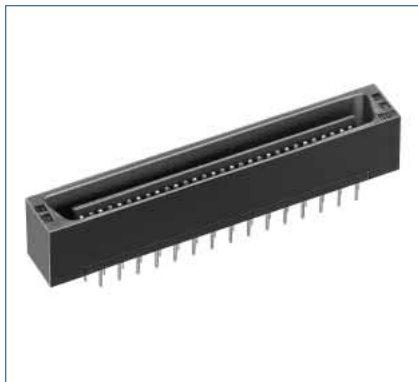


Unit : mm

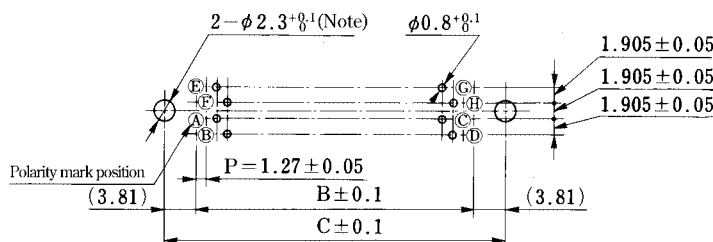
Part No.	HRS No.	No. of Contacts	A	B	C	RoHS
FX2- 20P-1.27DS(71)	572-2601-6 71	20	22.75	11.43	18.05	YES
FX2- 20P-1.27DSL(71)	572-2651-4 71					
FX2- 32P-1.27DS(71)	572-2602-9 71	32	30.37	19.05	25.67	
FX2- 32P-1.27DSL(71)	572-2652-7 71					
FX2- 40P-1.27DS(71)	572-2603-1 71	40	35.45	24.13	30.75	
FX2- 40P-1.27DSL(71)	572-2653-0 71					
FX2- 52P-1.27DS(71)	572-2604-4 71	52	43.07	31.75	38.37	
FX2- 52P-1.27DSL(71)	572-2654-2 71					
FX2- 60P-1.27DS(71)	572-2605-7 71	60	48.15	36.83	43.45	
FX2- 60P-1.27DSL(71)	572-2655-5 71					
FX2- 68P-1.27DS(71)	572-2606-0 71	68	53.23	41.91	48.53	
FX2- 68P-1.27DSL(71)	572-2656-8 71					
FX2- 80P-1.27DS(71)	572-2607-2 71	80	60.85	49.53	56.15	
FX2- 80P-1.27DSL(71)	572-2657-0 71					
FX2-100P-1.27DS(71)	572-2608-5 71	100	73.55	62.23	68.85	
FX2-100P-1.27DSL(71)	572-2658-3 71					
FX2-120P-1.27DS(71)	572-2609-8 71	120	86.25	74.93	81.55	
FX2-120P-1.27DSL(71)	572-2659-6 71					

Header No Cleaning Type

● Straight Type



◆ PCB mounting pattern



n = Number of Contacts

- Ⓐ a1 Ⓔ b1
- Ⓑ a2 Ⓕ b2
- Ⓒ a $\frac{n}{2}$ - 1 Ⓖ b $\frac{n}{2}$ - 1
- Ⓓ a $\frac{n}{2}$ Ⓖ b $\frac{n}{2}$

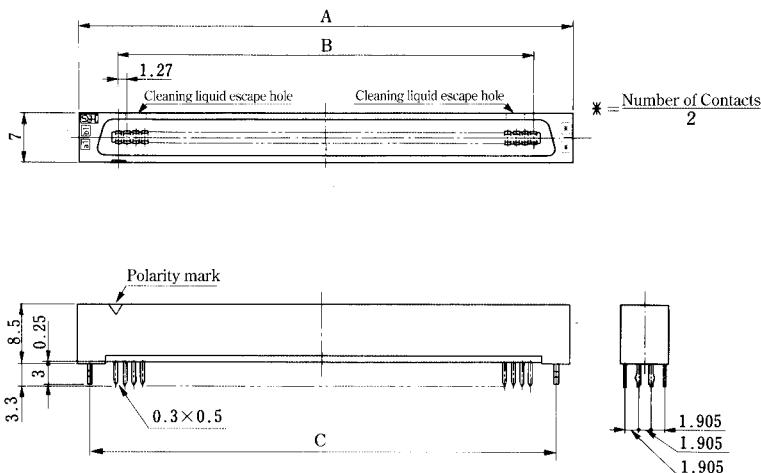
Note: Not required, if no prefixed pin is attached.

Unit : mm

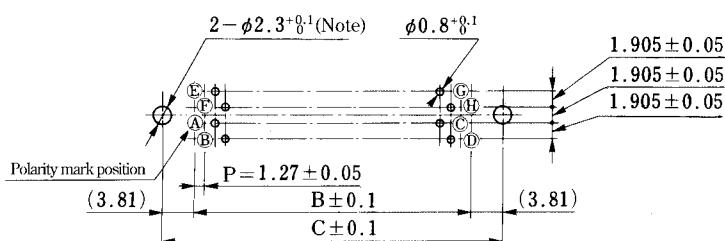
Part No.	HRS No.	No. of Contacts	A	B	C	RoHS
FX2C- 20P-1.27DSA(71)	572-2201-8 71	20	22.75	11.43	_____	YES
FX2C- 20P-1.27DSAL(71)	572-2251-6 71				19.05	
FX2C- 32P-1.27DSA(71)	572-2202-0 71	32	30.37	19.05	_____	
FX2C- 32P-1.27DSAL(71)	572-2252-9 71				26.67	
FX2C- 40P-1.27DSA(71)	572-2203-3 71	40	35.45	24.13	_____	
FX2C- 40P-1.27DSAL(71)	572-2253-1 71				31.75	
FX2C- 52P-1.27DSA(71)	572-2204-6 71	52	43.07	31.75	_____	
FX2C- 52P-1.27DSAL(71)	572-2254-4 71				39.37	
FX2C- 60P-1.27DSA(71)	572-2205-9 71	60	48.15	36.83	_____	
FX2C- 60P-1.27DSAL(71)	572-2255-7 71				44.45	
FX2C- 68P-1.27DSA(71)	572-2206-1 71	68	53.23	41.91	_____	
FX2C- 68P-1.27DSAL(71)	572-2256-0 71				49.53	
FX2C- 80P-1.27DSA(71)	572-2207-4 71	80	60.85	49.53	_____	
FX2C- 80P-1.27DSAL(71)	572-2257-2 71				57.15	
FX2C-100P-1.27DSA(71)	572-2208-7 71	100	73.55	62.23	_____	
FX2C-100P-1.27DSAL(71)	572-2258-5 71				69.85	
FX2C-120P-1.27DSA(71)	572-2209-0 71	120	86.25	74.93	_____	
FX2C-120P-1.27DSAL(71)	572-2259-8 71				82.55	

Header Cleaning Type

Straight Type



PCB mounting pattern



n = Number of Contacts

- Ⓐ a1 Ⓔ b1
- Ⓑ a2 Ⓕ b2
- Ⓒ $a\frac{n}{2}-1$ Ⓖ $b\frac{n}{2}-1$
- Ⓓ $a\frac{n}{2}$ Ⓖ $b\frac{n}{2}$

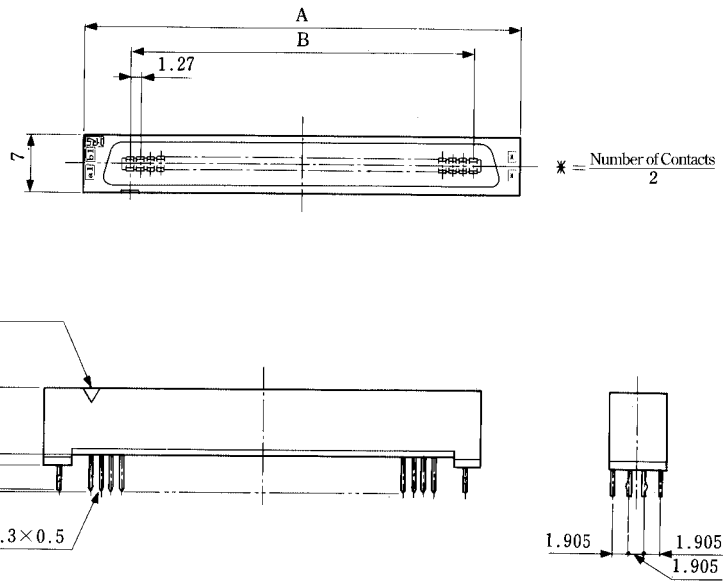
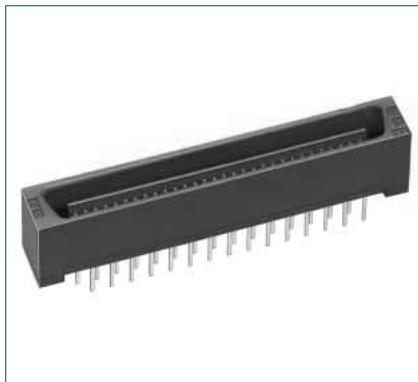
Note: Not required, if no prefixed pin is attached.

Unit : mm

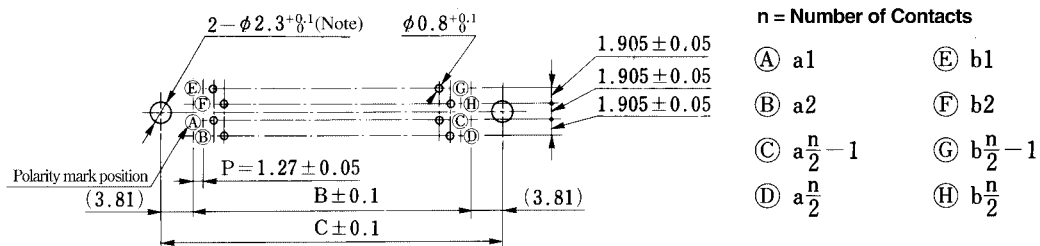
Part No.	HRS No.	No. of Contacts	A	B	C	RoHS
FX2CA- 20P-1.27DSA(71)	572-2301-2 71	20	22.75	11.43	—	YES
FX2CA- 20P-1.27DSAL(71)	572-2351-0 71				19.05	
FX2CA- 32P-1.27DSA(71)	572-2302-5 71	32	30.37	19.05	—	
FX2CA- 32P-1.27DSAL(71)	572-2352-3 71				26.67	
FX2CA- 40P-1.27DSA(71)	572-2303-8 71	40	35.45	24.13	—	
FX2CA- 40P-1.27DSAL(71)	572-2353-6 71				31.75	
FX2CA- 52P-1.27DSA(71)	572-2304-0 71	52	43.07	31.75	—	
FX2CA- 52P-1.27DSAL(71)	572-2354-9 71				39.37	
FX2CA- 60P-1.27DSA(71)	572-2305-3 71	60	48.15	36.83	—	
FX2CA- 60P-1.27DSAL(71)	572-2355-1 71				44.45	
FX2CA- 68P-1.27DSA(71)	572-2306-6 71	68	53.23	41.91	—	
FX2CA- 68P-1.27DSAL(71)	572-2356-4 71				49.53	
FX2CA- 80P-1.27DSA(71)	572-2307-9 71	80	60.85	49.53	—	
FX2CA- 80P-1.27DSAL(71)	572-2357-7 71				57.15	
FX2CA-100P-1.27DSA(71)	572-2308-1 71	100	73.55	62.23	—	
FX2CA-100P-1.27DSAL(71)	572-2358-0 71				69.85	
FX2CA-120P-1.27DSA(71)	572-2309-4 71	120	86.25	74.93	—	
FX2CA-120P-1.27DSAL(71)	572-2359-2 71				82.55	

Header No Cleaning Type

Straight Type



PCB mounting pattern



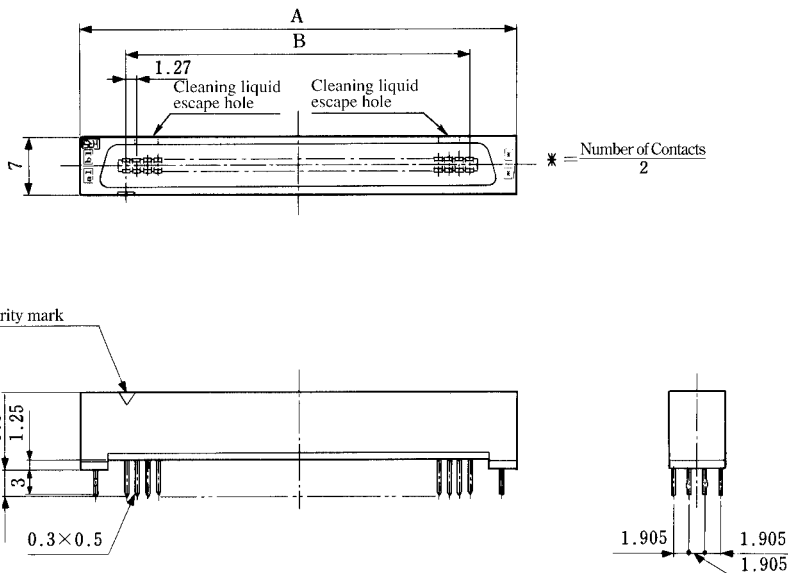
Note: Not required, if no prefixed pin is attached.

Unit : mm

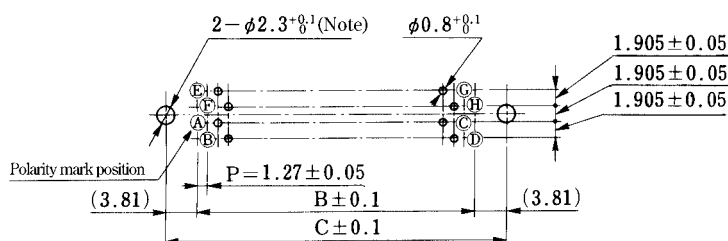
Part No.	HRS No.	No. of Contacts	A	B	C	RoHS
FX2C1- 20P-1.27DSA(71)	572-2211-1 71	20	22.75	11.43	—	YES
FX2C1- 20P-1.27DSAL(71)	572-2261-0 71				19.05	
FX2C1- 32P-1.27DSA(71)	572-2212-4 71	32	30.37	19.05	—	
FX2C1- 32P-1.27DSAL(71)	572-2262-2 71				26.67	
FX2C1- 40P-1.27DSA(71)	572-2213-7 71	40	35.45	24.13	—	
FX2C1- 40P-1.27DSAL(71)	572-2263-5 71				31.75	
FX2C1- 52P-1.27DSA(71)	572-2214-0 71	52	43.07	31.75	—	
FX2C1- 52P-1.27DSAL(71)	572-2264-8 71				39.37	
FX2C1- 60P-1.27DSA(71)	572-2215-2 71	60	48.15	36.83	—	
FX2C1- 60P-1.27DSAL(71)	572-2265-0 71				44.45	
FX2C1- 68P-1.27DSA(71)	572-2216-5 71	68	53.23	41.91	—	
FX2C1- 68P-1.27DSAL(71)	572-2266-3 71				49.53	
FX2C1- 80P-1.27DSA(71)	572-2217-8 71	80	60.85	49.53	—	
FX2C1- 80P-1.27DSAL(71)	572-2267-6 71				57.15	
FX2C1-100P-1.27DSA(71)	572-2218-0 71	100	73.55	62.23	—	
FX2C1-100P-1.27DSAL(71)	572-2268-9 71				69.85	
FX2C1-120P-1.27DSA(71)	572-2219-3 71	120	86.25	74.93	—	
FX2C1-120P-1.27DSAL(71)	572-2269-1 71				82.55	

Header Cleaning Type

Straight Type



PCB mounting pattern



Note: Not required, if no prefixed pin is attached.

n = Number of Contacts

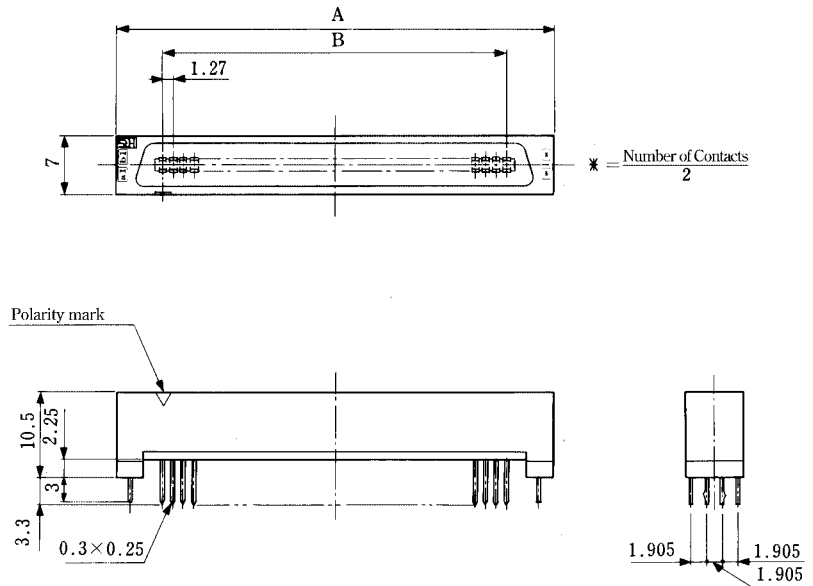
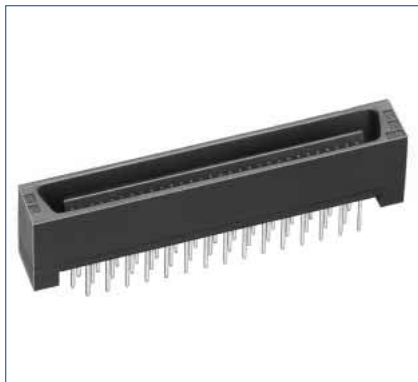
- Ⓐ a1 Ⓔ b1
- Ⓑ a2 Ⓕ b2
- Ⓒ $\frac{n}{2} - 1$ Ⓖ $\frac{n}{2} - 1$
- Ⓓ $\frac{n}{2}$ Ⓖ $\frac{n}{2}$

Unit : mm

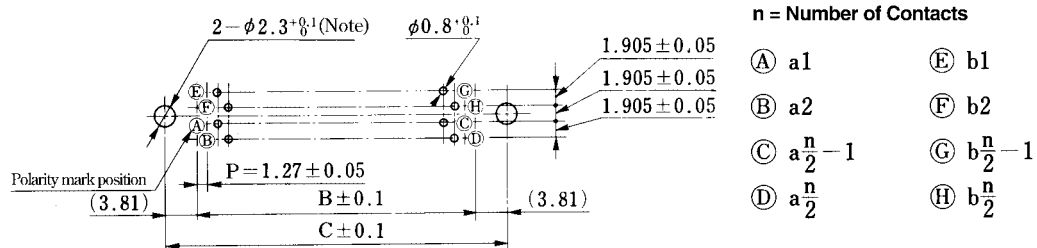
Part No.	HRS No.	No. of Contacts	A	B	C	RoHS
FX2CA1- 20P-1.27DSA(71)	572-2311-6 71	20	22.75	11.43	—	YES
FX2CA1- 20P-1.27DSAL(71)	572-2361-4 71				19.05	
FX2CA1- 32P-1.27DSA(71)	572-2312-9 71	32	30.37	19.05	—	
FX2CA1- 32P-1.27DSAL(71)	572-2362-7 71				26.67	
FX2CA1- 40P-1.27DSA(71)	572-2313-1 71	40	35.45	24.13	—	
FX2CA1- 40P-1.27DSAL(71)	572-2363-0 71				31.75	
FX2CA1- 52P-1.27DSA(71)	572-2314-4 71	52	43.07	31.75	—	
FX2CA1- 52P-1.27DSAL(71)	572-2364-2 71				39.37	
FX2CA1- 60P-1.27DSA(71)	572-2315-7 71	60	48.15	36.83	—	
FX2CA1- 60P-1.27DSAL(71)	572-2365-5 71				44.45	
FX2CA1- 68P-1.27DSA(71)	572-2316-0 71	68	53.23	41.91	—	
FX2CA1- 68P-1.27DSAL(71)	572-2366-8 71				49.53	
FX2CA1- 80P-1.27DSA(71)	572-2317-2 71	80	60.85	49.53	—	
FX2CA1- 80P-1.27DSAL(71)	572-2367-0 71				57.15	
FX2CA1-100P-1.27DSA(71)	572-2318-5 71	100	73.55	62.23	—	
FX2CA1-100P-1.27DSAL(71)	572-2368-3 71				69.85	
FX2CA1-120P-1.27DSA(71)	572-2319-8 71	120	86.25	74.93	—	
FX2CA1-120P-1.27DSAL(71)	572-2369-6 71				82.55	

Header No Cleaning Type

● Straight Type



◆ PCB mounting pattern



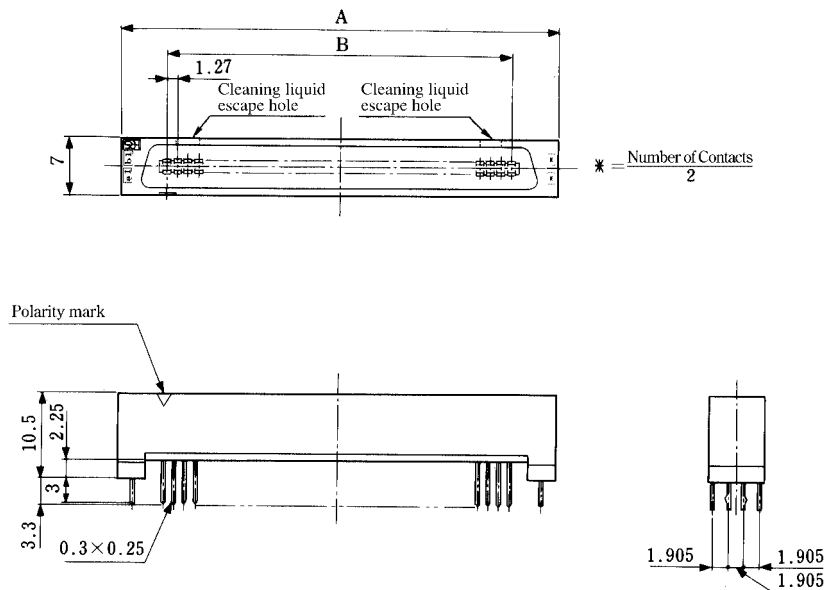
Note: Not required, if no prefixed pin is attached.

Unit : mm

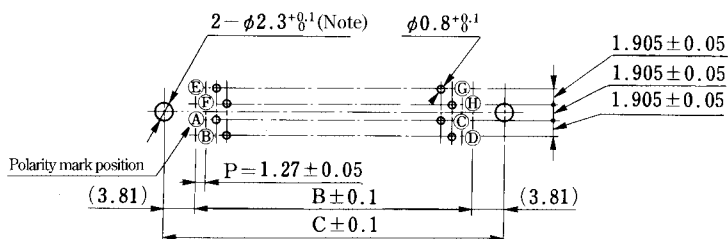
Part No.	HRS No.	No. of Contacts	A	B	C	RoHS
FX2C2- 20P-1.27DSA(71)	572-2221-5 71	20	22.75	11.43	—	YES
FX2C2- 20P-1.27DSAL(71)	572-2271-3 71				19.05	
FX2C2- 32P-1.27DSA(71)	572-2222-8 71	32	30.37	19.05	—	
FX2C2- 32P-1.27DSAL(71)	572-2272-6 71				26.67	
FX2C2- 40P-1.27DSA(71)	572-2223-0 71	40	35.45	24.13	—	
FX2C2- 40P-1.27DSAL(71)	572-2273-9 71				31.75	
FX2C2- 52P-1.27DSA(71)	572-2224-3 71	52	43.07	31.75	—	
FX2C2- 52P-1.27DSAL(71)	572-2274-1 71				39.37	
FX2C2- 60P-1.27DSA(71)	572-2225-6 71	60	48.15	36.83	—	
FX2C2- 60P-1.27DSAL(71)	572-2275-4 71				44.45	
FX2C2- 68P-1.27DSA(71)	572-2226-9 71	68	53.23	41.91	—	
FX2C2- 68P-1.27DSAL(71)	572-2276-7 71				49.53	
FX2C2- 80P-1.27DSA(71)	572-2227-1 71	80	60.85	49.53	—	
FX2C2- 80P-1.27DSAL(71)	572-2277-0 71				57.15	
FX2C2-100P-1.27DSA(71)	572-2228-4 71	100	73.55	62.23	—	
FX2C2-100P-1.27DSAL(71)	572-2278-2 71				69.85	
FX2C2-120P-1.27DSA(71)	572-2229-7 71	120	86.25	74.93	—	
FX2C2-120P-1.27DSAL(71)	572-2279-5 71				82.55	

Header Cleaning Type

Straight Type



PCB mounting pattern



n = Number of Contacts

- Ⓐ a1 Ⓔ b1
- Ⓑ a2 Ⓕ b2
- Ⓒ $a \frac{n}{2} - 1$ Ⓖ $b \frac{n}{2} - 1$
- Ⓓ $a \frac{n}{2}$ Ⓖ $b \frac{n}{2}$

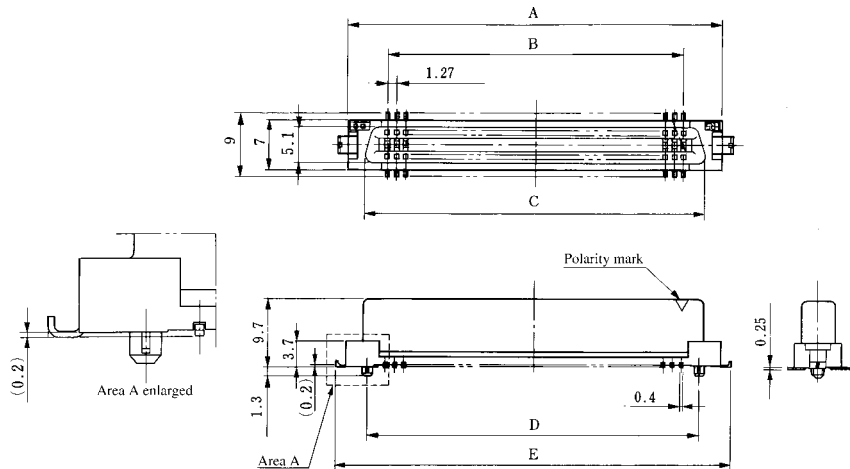
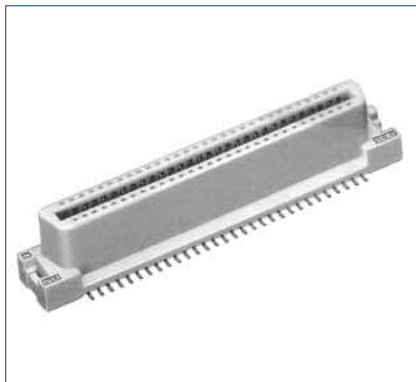
Note: Not required, if no prefixed pin is attached.

Unit : mm

Part No.	HRS No.	No. of Contacts	A	B	C	RoHS
FX2CA2- 20P-1.27DSA(71)	572-2321-0 71	20	22.75	11.43	—	YES
FX2CA2- 20P-1.27DSAL(71)	572-2371-8 71				19.05	
FX2CA2- 32P-1.27DSA(71)	572-2322-2 71	32	30.37	19.05	—	
FX2CA2- 32P-1.27DSAL(71)	572-2372-0 71				26.67	
FX2CA2- 40P-1.27DSA(71)	572-2323-5 71	40	35.45	24.13	—	
FX2CA2- 40P-1.27DSAL(71)	572-2373-3 71				31.75	
FX2CA2- 52P-1.27DSA(71)	572-2324-8 71	52	43.07	31.75	—	
FX2CA2- 52P-1.27DSAL(71)	572-2374-6 71				39.37	
FX2CA2- 60P-1.27DSA(71)	572-2325-0 71	60	48.15	36.83	—	
FX2CA2- 60P-1.27DSAL(71)	572-2375-9 71				44.45	
FX2CA2- 68P-1.27DSA(71)	572-2326-3 71	68	53.23	41.91	—	
FX2CA2- 68P-1.27DSAL(71)	572-2376-1 71				49.53	
FX2CA2- 80P-1.27DSA(71)	572-2327-6 71	80	60.85	49.53	—	
FX2CA2- 80P-1.27DSAL(71)	572-2377-4 71				57.15	
FX2CA2-100P-1.27DSA(71)	572-2328-9 71	100	73.55	62.23	—	
FX2CA2-100P-1.27DSAL(71)	572-2378-7 71				69.85	
FX2CA2-120P-1.27DSA(71)	572-2329-1 71	120	86.25	74.93	—	
FX2CA2-120P-1.27DSAL(71)	572-2379-0 71				82.55	

■ Receptacle SMT Type

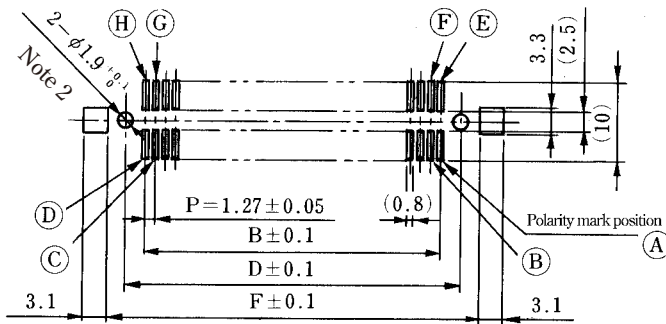
● Straight Type



Note 1 : The 120 contacts type differs in the style.

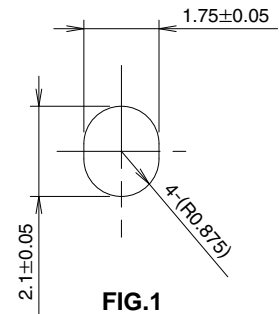
Note 2 : The connector positioning bosses are constructed to press fit into the board with light force. When mounting on the board, press the connector lightly from the top and check that the positioning bosses are securely inserted in the board holes and that the connector leads are engaged in the board. The recommended boss hole for use with automatic mounting is illustrated in fig. 1.

◆ PCB mounting pattern



n = Number of Contacts

- Ⓐ a1 Ⓔ b1
- Ⓑ a2 Ⓕ b2
- Ⓒ $a\frac{n}{2} - 1$ Ⓖ $b\frac{n}{2} - 1$
- Ⓓ $a\frac{n}{2}$ Ⓗ $b\frac{n}{2}$

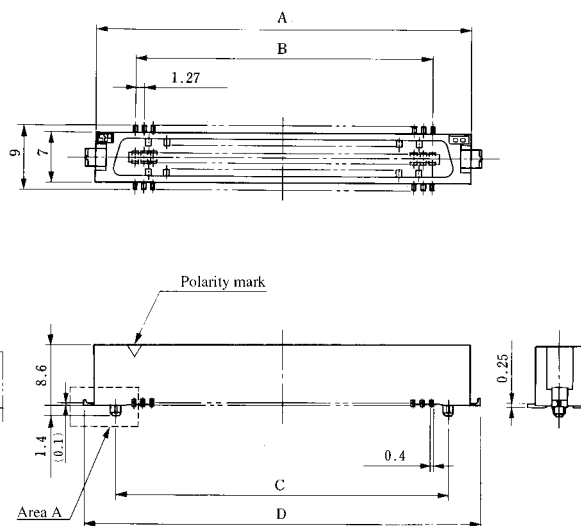


Unit : mm

Part No.	HRS No.	No. of Contacts	A	B	C	D	E	F	RoHS
FX2- 20S-1.27SV(71)	572-2101-3 71	20	22.75	11.43	17.63	16.51	—	—	YES
FX2- 20S-1.27SVL(71)	572-2151-1 71						25.75	21.15	
FX2- 32S-1.27SV(71)	572-2102-6 71	32	30.37	19.05	25.25	24.13	—	—	
FX2- 32S-1.27SVL(71)	572-2152-4 71						33.37	28.77	
FX2- 40S-1.27SV(71)	572-2103-9 71	40	35.45	24.13	30.33	29.21	—	—	
FX2- 40S-1.27SVL(71)	572-2153-7 71						38.45	33.85	
FX2- 52S-1.27SV(71)	572-2104-1 71	52	43.07	31.75	37.95	36.83	—	—	
FX2- 52S-1.27SVL(71)	572-2154-0 71						46.07	41.47	
FX2- 60S-1.27SV(71)	572-2105-4 71	60	48.15	36.83	43.03	41.91	—	—	
FX2- 60S-1.27SVL(71)	572-2155-2 71						51.15	46.55	
FX2- 68S-1.27SV(71)	572-2106-7 71	68	53.23	41.91	48.11	46.99	—	—	
FX2- 68S-1.27SVL(71)	572-2156-5 71						56.23	51.63	
FX2- 80S-1.27SV(71)	572-2107-0 71	80	60.85	49.53	55.73	54.61	—	—	
FX2- 80S-1.27SVL(71)	572-2157-8 71						63.85	59.25	
FX2-100S-1.27SV(71)	572-2108-2 71	100	73.55	62.23	68.43	67.31	—	—	
FX2-100S-1.27SVL(71)	572-2158-0 71						76.55	71.95	
FX2-120S-1.27SV(71)	572-2109-5 71	120	86.25	74.93	81.13	80.01	—	—	
FX2-120S-1.27SVL(71)	572-2159-3 71						89.25	84.65	

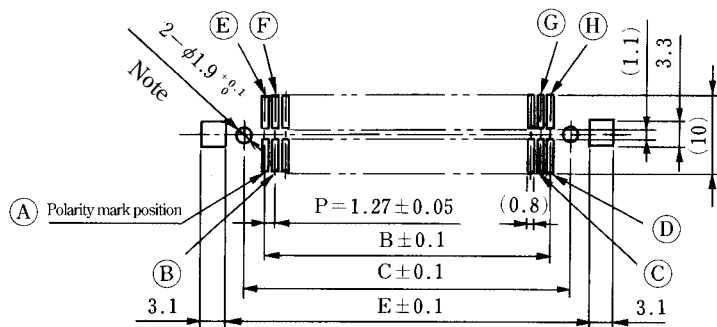
Header SMT Type

● Straight Type



Note : The connector positioning bosses are constructed to press fit into the board with light force. When mounting on the board, press the connector lightly from the top and check that the positioning bosses are securely inserted in the board holes and that the connector leads are engaged in the board. The recommended boss hole for use with automatic mounting is illustrated in fig. 1.

◆ PCB mounting pattern



n = Number of Contacts

- Ⓐ a1
- Ⓑ a2
- Ⓒ $a \frac{n}{2} - 1$
- Ⓓ $a \frac{n}{2}$
- Ⓔ b1
- Ⓕ b2
- Ⓖ $b \frac{n}{2} - 1$
- Ⓗ $b \frac{n}{2}$

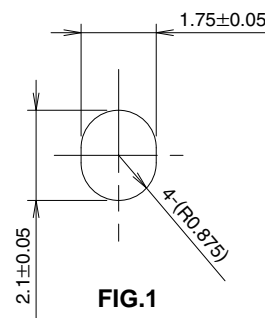


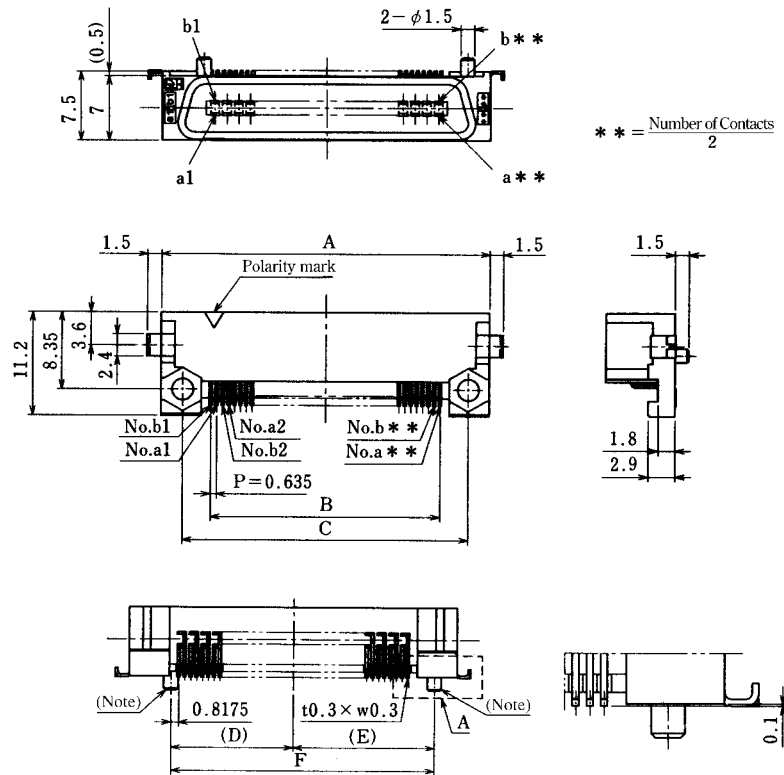
FIG.1

Unit : mm

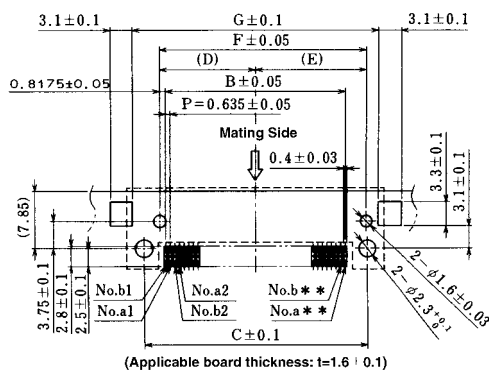
Part No.	HRS No.	No. of Contacts	A	B	C	D	E	RoHS
FX2- 20P-1.27SV(71)	572-2001-9 71	20	22.75	11.43	16.51	—	—	YES
FX2- 20P-1.27SVL(71)	572-2051-7 71					25.75	21.15	
FX2- 32P-1.27SV(71)	572-2002-1 71	32	30.37	19.05	24.13	—	—	
FX2- 32P-1.27SVL(71)	572-2052-0 71					33.37	28.77	
FX2- 40P-1.27SV(71)	572-2003-4 71	40	35.45	24.13	29.21	—	—	
FX2- 40P-1.27SVL(71)	572-2053-2 71					38.45	33.85	
FX2- 52P-1.27SV(71)	572-2004-7 71	52	43.07	31.75	36.83	—	—	
FX2- 52P-1.27SVL(71)	572-2054-5 71					46.07	41.47	
FX2- 60P-1.27SV(71)	572-2005-0 71	60	48.15	36.83	41.91	—	—	
FX2- 60P-1.27SVL(71)	572-2055-8 71					51.15	46.55	
FX2- 68P-1.27SV(71)	572-2006-2 71	68	53.23	41.91	46.99	—	—	
FX2- 68P-1.27SVL(71)	572-2056-0 71					56.23	51.63	
FX2- 80P-1.27SV(71)	572-2007-5 71	80	60.85	49.53	54.61	—	—	
FX2- 80P-1.27SVL(71)	572-2057-3 71					63.85	59.25	
FX2-100P-1.27SV(71)	572-2008-8 71	100	73.55	62.23	67.31	—	—	
FX2-100P-1.27SVL(71)	572-2058-6 71					76.55	71.95	
FX2-120P-1.27SV(71)	572-2009-0 71	120	86.25	74.93	80.01	—	—	
FX2-120P-1.27SVL(71)	572-2059-9 71					89.25	84.65	

Header SMT Type

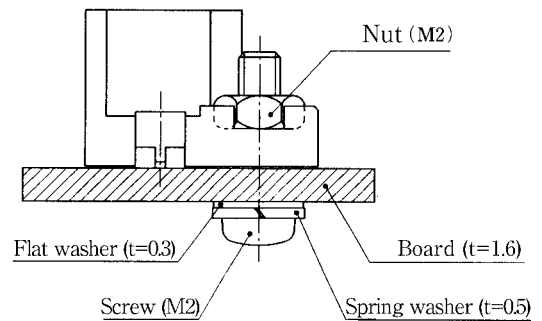
Right Angle Type



PCB mounting Pattern



Recommended Screw Clamp



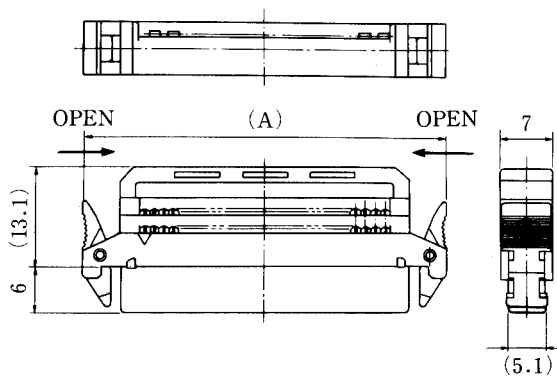
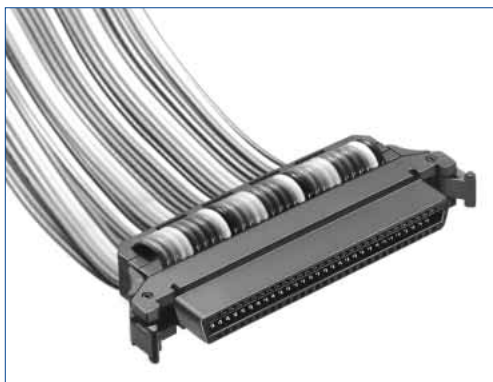
Use M2 screw for fixture.
Recommended torque is 0.15(N•m).

Unit : mm

Part No.	HRS No.	No. of Contacts	A	B	C	D	E	F	G	RoHS
FX2-20P-0.635SH(71)	572-2761-2 71	20	22.75	12.065	18.05	6.85	8.85	15.7	21.15	YES
FX2A-20P-0.635SH(71)	572-2771-6 71					—	—	—		
FX2-40P-0.635SH(71)	572-2763-8 71	40	35.45	24.765	30.75	13.2	15.2	28.4	33.85	
FX2A-40P-0.635SH(71)	572-2773-1 71					—	—	—		
FX2-52P-0.635SH(71)	572-2764-0 71	52	43.07	32.385	38.37	17.01	19.01	36.02	41.47	
FX2A-52P-0.635SH(71)	572-2774-4 71					—	—	—		
FX2-60P-0.635SH(71)	572-2765-3 71	60	48.15	37.465	43.45	19.55	21.55	41.1	46.55	
FX2A-60P-0.635SH(71)	572-2775-7 71					—	—	—		
FX2-80P-0.635SH(71)	572-2767-9 71	80	60.85	50.165	56.15	25.9	27.9	53.8	59.25	
FX2A-80P-0.635SH(71)	572-2777-2 71					—	—	—		

■ Socket Type

● Lock Cable Type

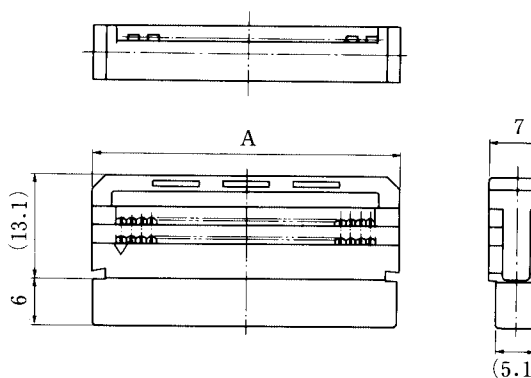
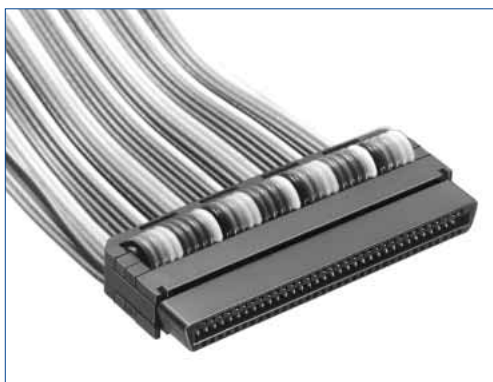


Combination View

Unit : mm

Part No.	HRS No.	No. of Contacts	A	RoHS
FX2B- 20SA-1.27R	572-0621-2	20	27.83	YES
FX2B- 32SA-1.27R	572-0622-5	32	35.45	
FX2B- 40SA-1.27R	572-0623-8	40	40.53	
FX2B- 52SA-1.27R	572-0624-0	52	48.15	
FX2B- 60SA-1.27R	572-0625-3	60	53.23	
FX2B- 68SA-1.27R	572-0629-4	68	58.31	
FX2B- 80SA-1.27R	572-0630-3	80	65.93	
FX2B-100SA-1.27R	572-0628-1	100	78.63	

● Unlock Cable Type



Combination View

Unit : mm

Part No.	HRS No.	No. of Contacts	A	RoHS
FX2BA- 20SA-1.27R	572-0671-0	20	18.05	YES
FX2BA- 32SA-1.27R	572-0672-3	32	25.67	
FX2BA- 40SA-1.27R	572-0673-6	40	30.75	
FX2BA- 52SA-1.27R	572-0674-9	52	38.37	
FX2BA- 60SA-1.27R	572-0675-1	60	43.45	
FX2BA- 68SA-1.27R	572-0676-4	68	48.53	
FX2BA- 80SA-1.27R	572-0677-7	80	56.15	
FX2BA-100SA-1.27R	572-0678-0	100	68.85	

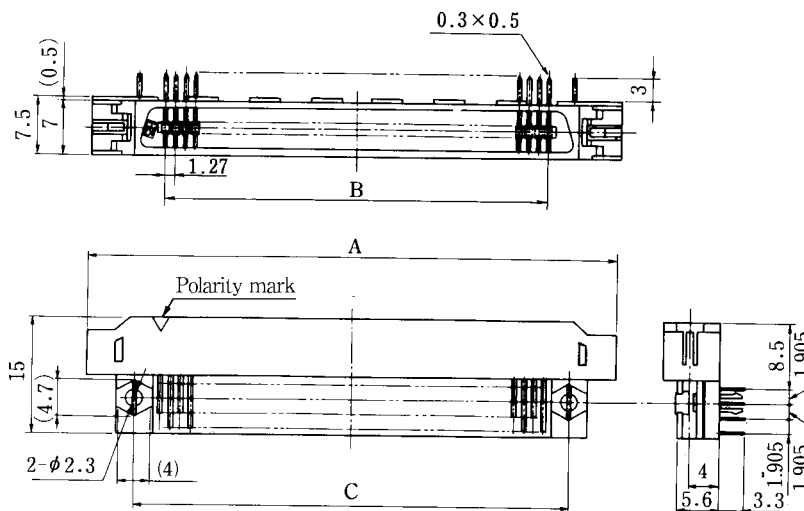
◆ Connection Tool

Type	Part No.	HRS No.
Guide plate	FX2B(A)-GPA	550-0212-6
Connection press	Hi-Flex connection press	550-0082-2

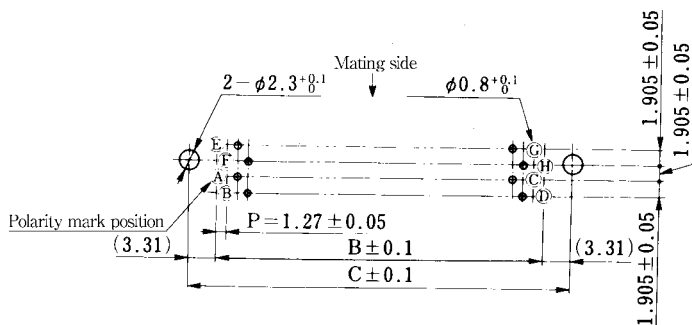
Note : HRS6 cable cutter FC601 isn't required for FX2B(A) connection.
(Connected without convex-concave cutting.)

Header

Right Angle Type for Lock



PCB mounting pattern



n = number of contacts

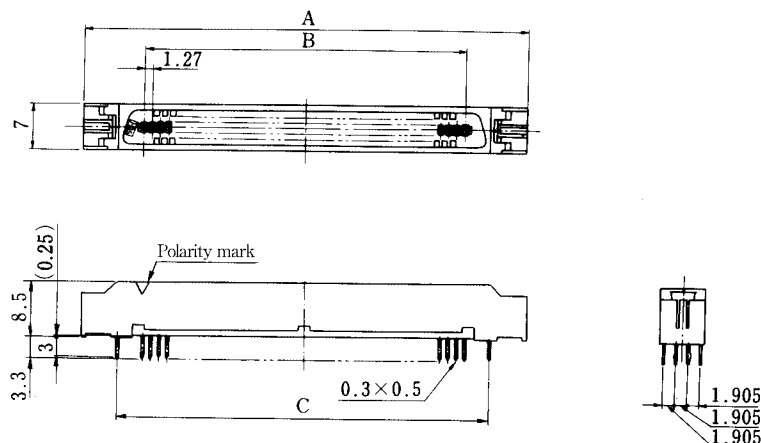
- Ⓐ a1 Ⓔ b1
- Ⓑ a2 Ⓕ b2
- Ⓒ $a\frac{n}{2} - 1$ Ⓖ $b\frac{n}{2} - 1$
- Ⓓ $a\frac{n}{2}$ Ⓖ $b\frac{n}{2}$

Unit : mm

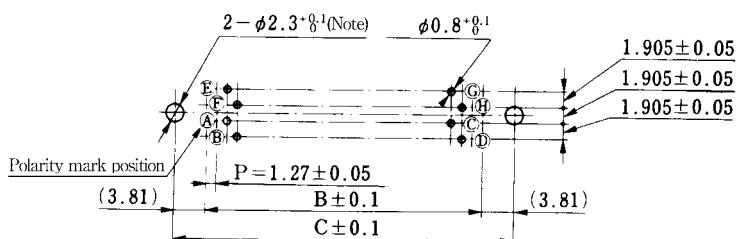
Part No.	HRS No.	No. of Contacts	A	B	C	RoHS
FX2B- 20PA-1.27DS(71)	572-0721-7 71	20	30.33	11.43	18.05	YES
FX2B- 20PA-1.27DSL(71)	572-0771-5 71					
FX2B- 32PA-1.27DS(71)	572-0722-0 71	32	37.95	19.05	25.67	
FX2B- 32PA-1.27DSL(71)	572-0772-8 71					
FX2B- 40PA-1.27DS(71)	572-0723-2 71	40	43.03	24.13	30.75	
FX2B- 40PA-1.27DSL(71)	572-0773-0 71					
FX2B- 52PA-1.27DS(71)	572-0724-5 71	52	50.65	31.75	38.37	
FX2B- 52PA-1.27DSL(71)	572-0774-3 71					
FX2B- 60PA-1.27DS(71)	572-0725-8 71	60	55.73	36.83	43.45	
FX2B- 60PA-1.27DSL(71)	572-0775-6 71					
FX2B- 68PA-1.27DS(71)	572-0726-0 71	68	60.81	41.91	48.53	
FX2B- 68PA-1.27DSL(71)	572-0776-9 71					
FX2B- 80PA-1.27DS(71)	572-0727-3 71	80	68.43	49.53	56.15	
FX2B- 80PA-1.27DSL(71)	572-0777-1 71					
FX2B-100PA-1.27DS(71)	572-0728-6 71	100	81.13	62.23	68.85	
FX2B-100PA-1.27DSL(71)	572-0778-4 71					

Header No Cleaning Type

● Straight Type for Lock



◆ PCB mounting pattern



n = number of contact

- Ⓐ a1 Ⓔ b1
- Ⓑ a2 Ⓕ b2
- Ⓒ $a\frac{n}{2} - 1$ Ⓖ $b\frac{n}{2} - 1$
- Ⓓ $a\frac{n}{2}$ Ⓖ $b\frac{n}{2}$

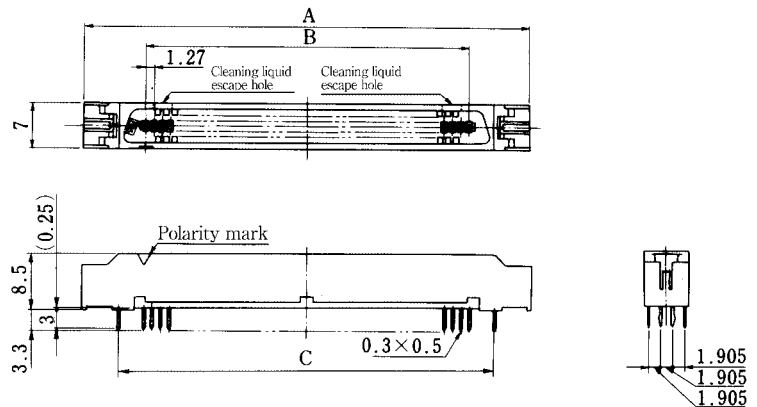
Note: Not required, unless the prefixed pin is attached.

Unit : mm

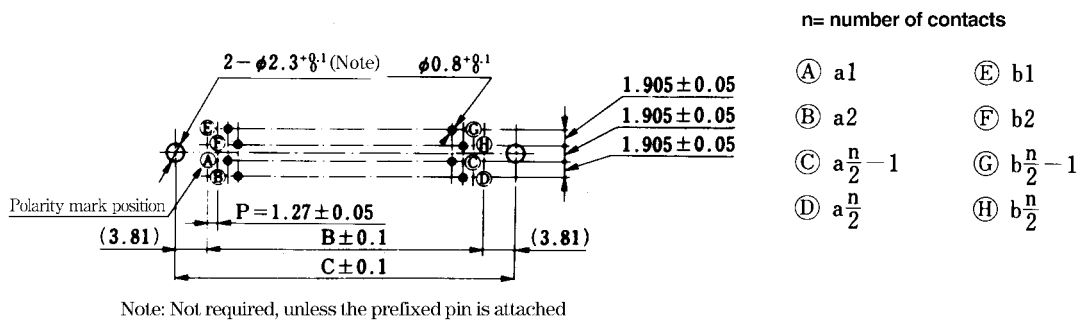
Part No.	HRS No.	No. of Contacts	A	B	C	RoHS
FX2B- 20P-1.27DSA(71)	572-0801-4 71	20	30.33	11.43	—	YES
FX2B- 20P-1.27DSAL(71)	572-0851-2 71				19.05	
FX2B- 32P-1.27DSA(71)	572-0802-7 71	32	37.95	19.05	—	
FX2B- 32P-1.27DSAL(71)	572-0852-5 71				26.67	
FX2B- 40PA-1.27DSA(71)	572-0823-7 71	40	43.03	24.13	—	
FX2B- 40PA-1.27DSAL(71)	572-0873-5 71				31.75	
FX2B- 52PA-1.27DSA(71)	572-0824-0 71	52	50.65	31.75	—	
FX2B- 52PA-1.27DSAL(71)	572-0874-8 71				39.37	
FX2B- 60PA-1.27DSA(71)	572-0825-2 71	60	55.73	36.83	—	
FX2B- 60PA-1.27DSAL(71)	572-0875-0 71				44.45	
FX2B- 68PA-1.27DSA(71)	572-0826-5 71	68	60.81	41.91	—	
FX2B- 68PA-1.27DSAL(71)	572-0876-3 71				49.53	
FX2B- 80PA-1.27DSA(71)	572-0827-8 71	80	68.43	49.53	—	
FX2B- 80PA-1.27DSAL(71)	572-0877-6 71				57.15	
FX2B-100PA-1.27DSA(71)	572-0828-0 71	100	81.13	62.23	—	
FX2B-100PA-1.27DSAL(71)	572-0878-9 71				69.85	

Header Cleaning Type

● Straight Type for Lock



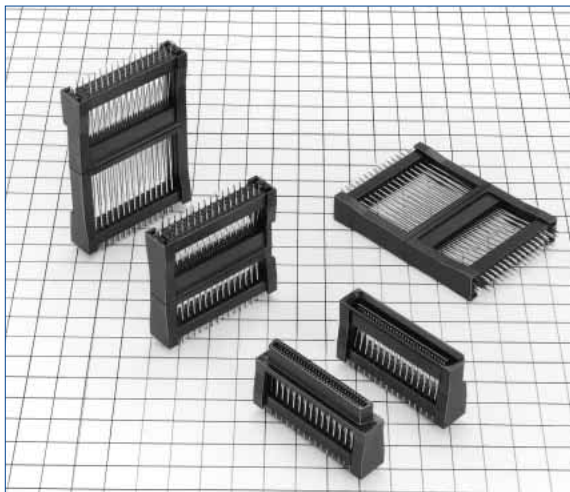
PCB mounting pattern



Unit : mm

Part No.	HRS No.	No. of Contacts	A	B	C	RoHS
FX2BA- 20P-1.27DSA(71)	572-0901-9 71	20	30.33	11.43	—	YES
FX2BA- 20P-1.27DSAL(71)	572-0951-7 71				19.05	
FX2BA- 32P-1.27DSA(71)	572-0902-1 71	32	37.95	19.05	—	
FX2BA- 32P-1.27DSAL(71)	572-0952-0 71				26.67	
FX2BA- 40PA-1.27DSA(71)	572-0923-1 71	40	43.03	24.13	—	
FX2BA- 40PA-1.27DSAL(71)	572-0973-0 71				31.75	
FX2BA- 52PA-1.27DSA(71)	572-0924-4 71	52	50.65	31.75	—	
FX2BA- 52PA-1.27DSAL(71)	572-0974-2 71				39.37	
FX2BA- 60PA-1.27DSA(71)	572-0925-7 71	60	55.73	36.83	—	
FX2BA- 60PA-1.27DSAL(71)	572-0975-5 71				44.45	
FX2BA- 68PA-1.27DSA(71)	572-0926-0 71	68	60.81	41.91	—	
FX2BA- 68PA-1.27DSAL(71)	572-0976-8 71				49.53	
FX2BA- 80PA-1.27DSA(71)	572-0927-2 71	80	68.43	49.53	—	
FX2BA- 80PA-1.27DSAL(71)	572-0977-0 71				57.15	
FX2BA-100PA-1.27DSA(71)	572-0928-5 71	100	81.13	62.23	—	
FX2BA-100PA-1.27DSAL(71)	572-0978-3 71				69.85	

FX2M6 Series



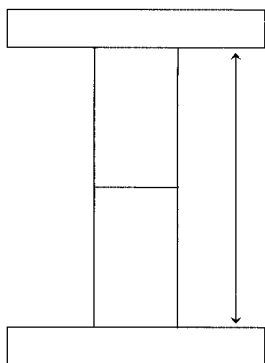
Ordering Information

FX2M6 **A** - **60** **P** - **1.27** **DSA** **L**

① ② ③ ④ ⑤ ⑥ ⑦

① Series Name	: FX2M6
② Type No.	: A
③ Number of contacts	: 60
④ Contact Style	P : Header S : Receptacle
⑤ Contact pitch	: 1.27mm
⑥ DSA	: Straight type
⑦ L	: Board prefixed pin

Stacking Variation



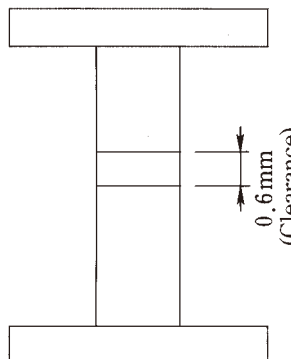
Unit : mm

Header \ Receptacle	FX2C-60S -1.27DSA	FX2C2-60S -1.27DSA	FX2M6B-60S -1.27DSAL
FX2C-60P -1.27DSA	12	14	28.2 *2
FX2C1-60P -1.27DSA	13	15	29.2 *2
FX2C2-60P -1.27DSA	14	16	30.2 *2
FX2M6B-60P -1.27DSAL	28.4 *1	30.4 *1	44
FX2M6A-60P -1.27DSAL	34.4 *1	36.4 *1	50

Note 1. Mate the male and female connectors to meet the allowable clearance within 1.0mm. However, set it within 0.4mm in combination *1. In case of combination *2, use as 1.6mm or less.

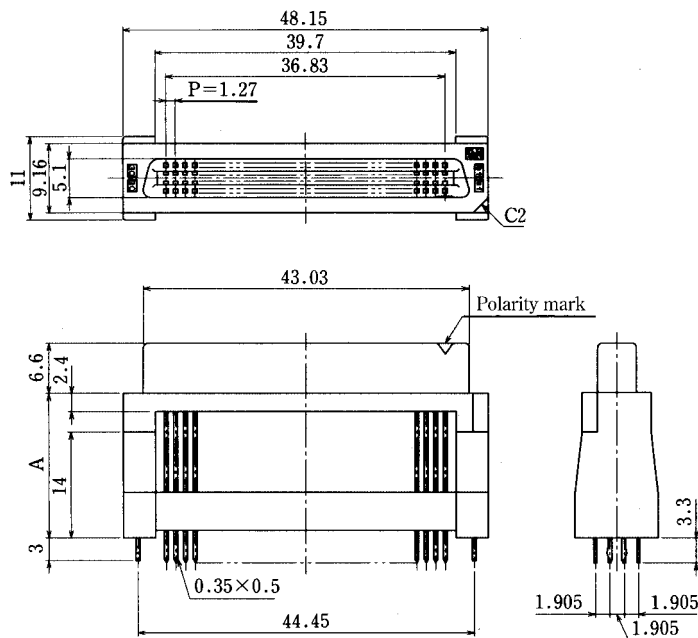
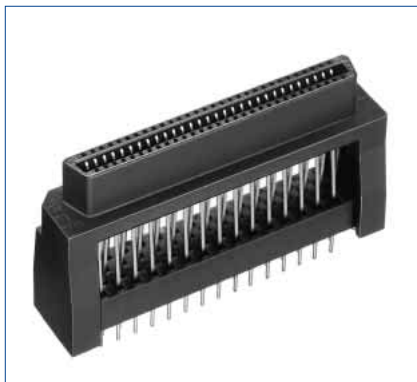
Note 2. In case of combination *2, 0.6mm clearance occurs on the mating side, but no problem.

Note 3. After the board is mounted, fix the board by screws.

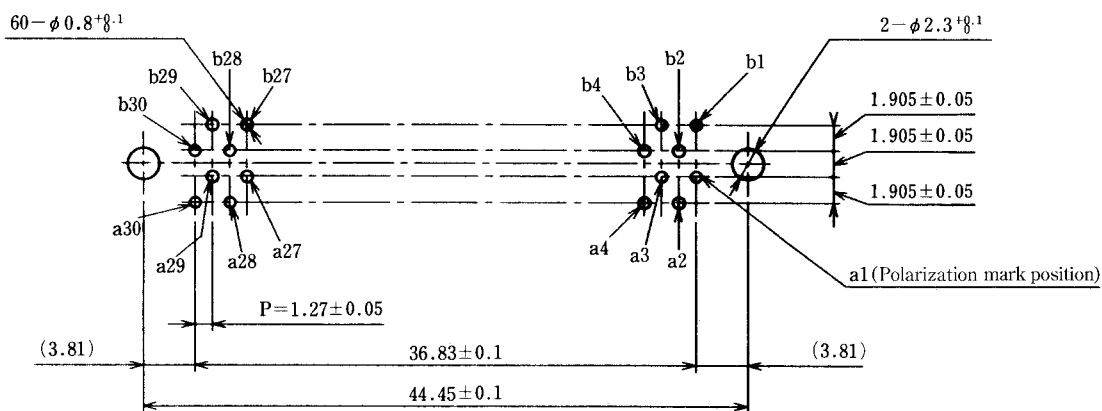


Jun. 1. 2024 Copyright 2024 HIROSE ELECTRIC CO., LTD. All Rights Reserved.

■ Receptacle



◆ PCB mounting pattern



Applicable board thickness $t = 1.6$

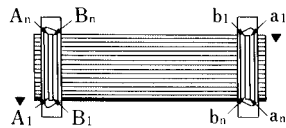
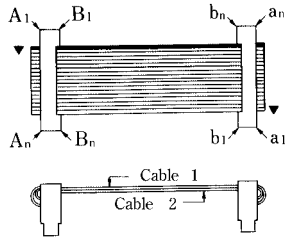
Unit : mm

Part No.	HRS No.	A	RoHS
FX2M6B-60S-1.27DSAL(71)	572-1042-0 71	19.1	YES

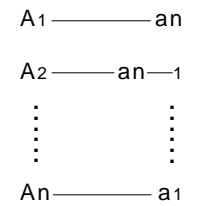
Connection Circuit Diagram

$$n = \frac{\text{Number of Contacts}}{2}$$

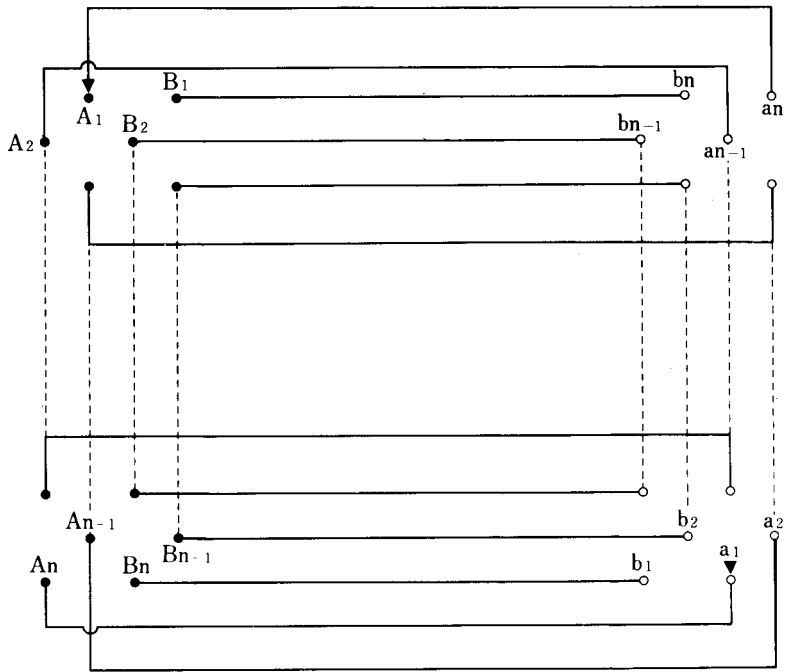
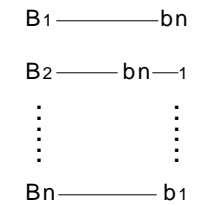
Type A, B



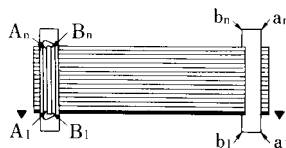
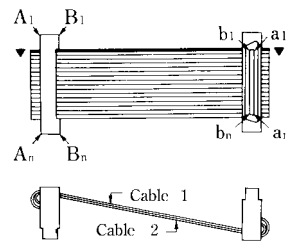
Connection to Cable 1



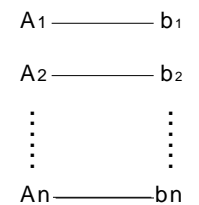
Connection to Cable 2



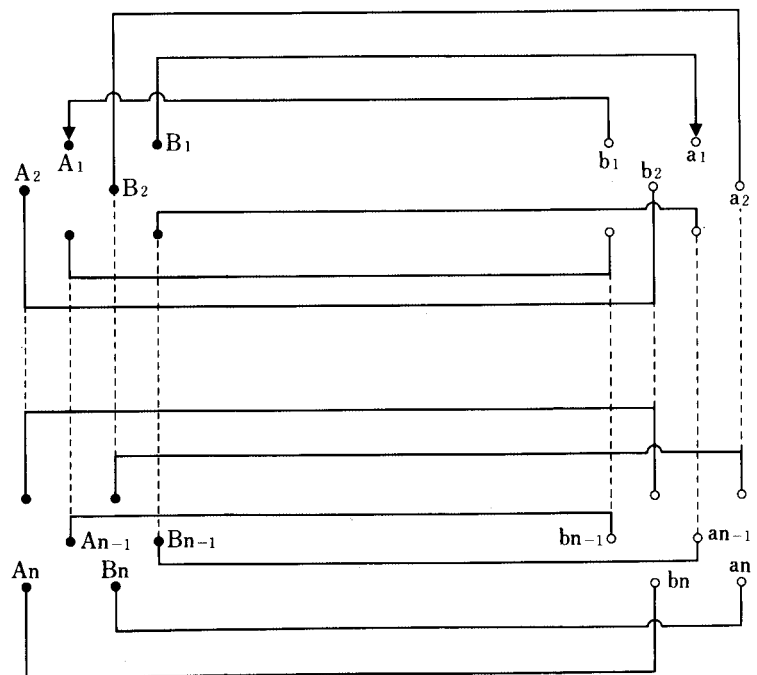
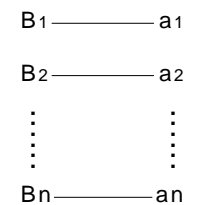
Type A, A



Connection to Cable 1



Connection to Cable 2



Jun. 1. 2024 Copyright 2024 HIROSE ELECTRIC CO., LTD. All Rights Reserved.

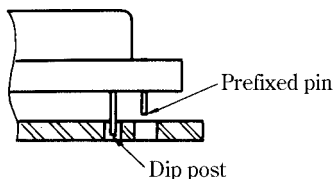
◆ Connector Use Hand book

1. Selecting connector

- ① The FX2 series is the perfect flux tight connector for the straight type in the soldering process, but it depends on the soldering process whether non-cleaning type (FX2C-*, FX2B-*) or cleaning type (FX2CA-*, FX2BA-*) should be selected. Please be sure to clean the right angle type (FX2-*, FX2B-*) connector. To clean the connector, please be sure to use detergent, containing no contaminant.
- ② To use the socket cable type, if a vibration or shock load is applied to the cable, select the lock type. In addition, if a load is applied to the cable, please be sure to use the cable clamp.

2. Prefixed Process to Board

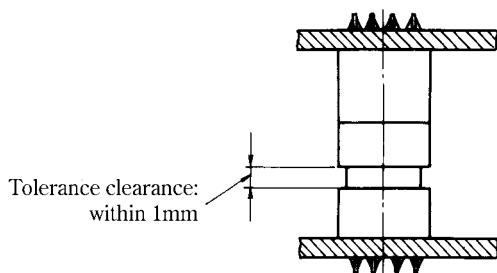
If the prefixed process is required for mounting the board, please use the prefixed pin type. (Applicable board thickness $t = 1.6 \pm 0.1$)



Note : In order to prevent the dip post breakage in the connector installation to the board, please insert the board in parallel to the connector so that the prefixed pin may be forcibly pushed in, after the dip post is guided to the board through-hole.

3. Mating Side Tolerance Clearance

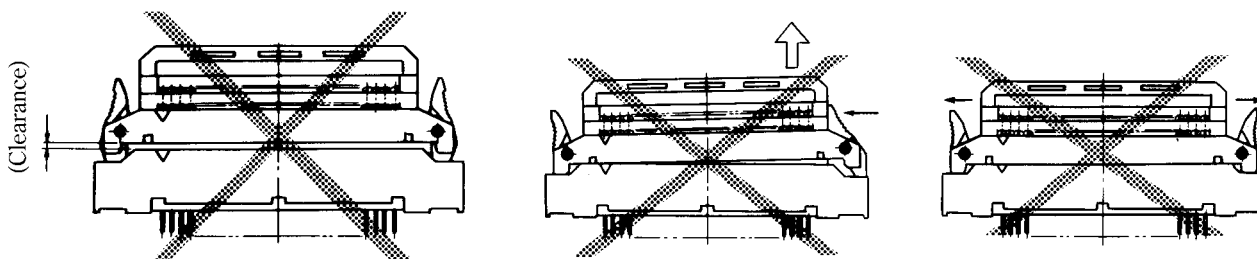
(Example) FX2C-*P-1.27DSA and FX2C-*S-1.27DSA



Set the tolerance clearance within 1mm to mate the male and female connectors.
(Except for the lock cable type)

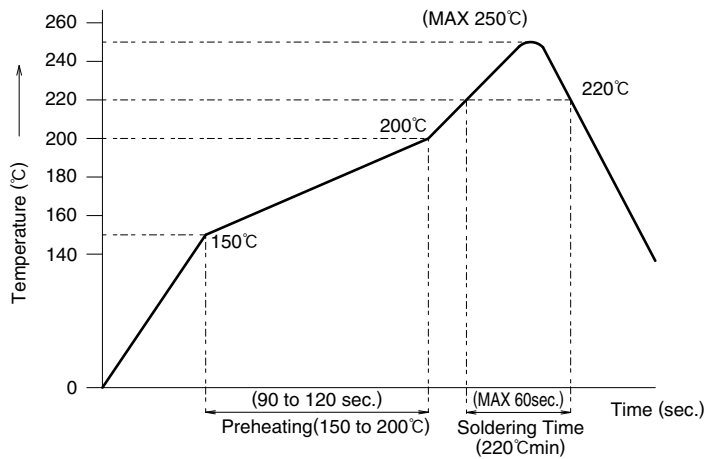
4. Cautions: for Using Lock Cable Type

- ① When the connector is mated, insert the connector by the end so as not to make a clearance.
- ② When the connector is inserted or extracted, please insert or extract the connector after the both lock levers are laid inside. If the connector is inserted or extracted with either lock lever laid, the connector may be broken.
- ③ please do not open the lock lever outside.



5. SMT Type Connector Mounting Temperature Profile (Reference)

● IR Reflow



HRS test conditions

Test board Glass epoxy 110mm×40mm×1.6mm thick

Solder method : Reflow

Solder composition : Paste,

96.5%Sn/ 3%Ag/ 0.5%Cu

Metal mask : 0.2mm thick (Straight)

0.15mm thick (Right angle)

Reflow cycles : 2 cycles

The temperature profile is based on the above conditions.

In individual applications the actual temperature may vary, depending on solder paste type, volume/thickness and board size/thickness. Consult your solder paste and equipment manufacturer for specific recommendations.

* In regard to the straight type, please contact Hirose Electric about the recommended open area ratio when using a 0.15mm metal mask.

6. SMT Type Connector mated height

As shown in the application pattern, the mated height of the male/female connector doesn't contain the solder paste thickness. Thus, after the connector installation in the board, consider that the mated height will be widened in proportion to the solder paste thickness.

HIROSE ELECTRIC CO.,LTD.

2-6-3, Nakagawa Chuoh, Tsuzuki-Ku, Yokohama-Shi 224-8540, JAPAN

<https://www.hirose.com/>

Looking for pricing, stock, or lifecycle information?

Click below to explore more details on WIN SOURCE:

- [View FX2-100S-1.27SVL\(71\) on WIN SOURCE](#)
- [Hirose Electric Co Ltd Information](#)

Optimize Your Supply Chain with WIN SOURCE Solutions

- ✓ Global Sourcing Solution
- ✓ Obsolete Management
- ✓ Cost Control Management
- ✓ Shortage Management
- ✓ Alternative Solution
- ✓ Excess Inventory Management