

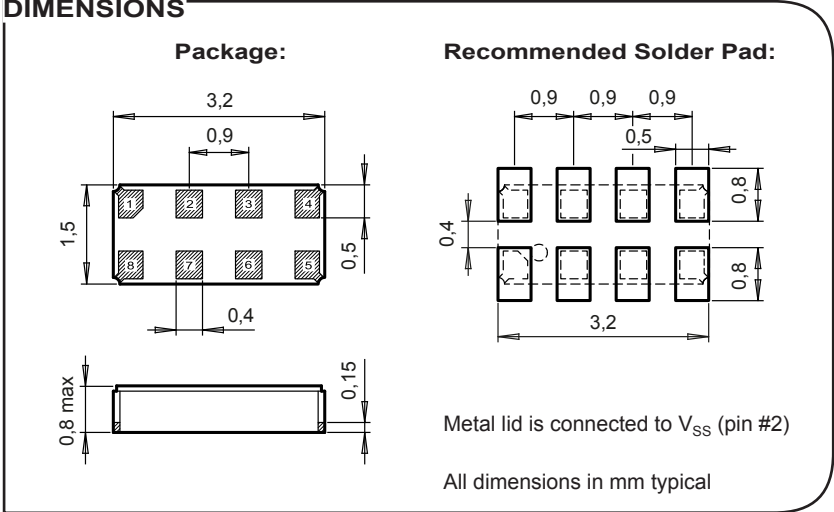
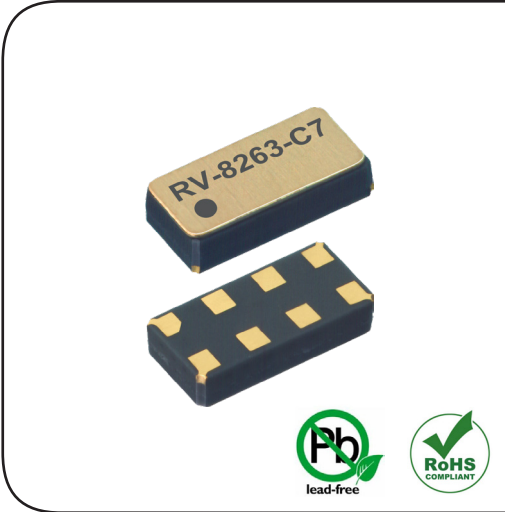


**THE DATASHEET OF
RV-8263-C7-32.768KHZ-20PPM-TA-QC**



RV-8263-C7

Real-Time Clock Module with I²C-Bus



APPLICATIONS

- IoT
- Metering
- Industrial
- Automotive
- Health Care
- Wearables, Portables

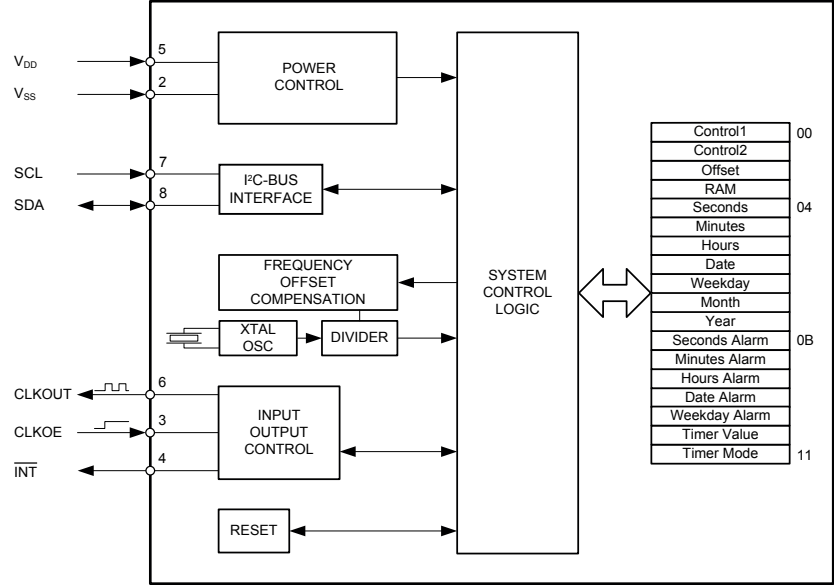
DESCRIPTION

The RV-8263-C7 is a SMT Real-Time Clock Module that incorporates an integrated CMOS circuit together with an XTAL. It operates under vacuum in a hermetically sealed ceramic package with metal lid.

FEATURES

- Low power consumption: 190 nA @ 3 V.
- Wide operating voltage range: 0.9 V to 5.5 V.
- Time accuracy: ±20 ppm @ 25°C.
- Operating temperature range: -40 to +85°C.
- User programmable offset value.
- Oscillator stop detection.
- Provides year, month, date, weekday, hours, minutes and seconds.
- Automatic leap year calculation: 2000 to 2099.
- Timer and Alarm functions.
- Clock output frequencies: 32.768 kHz to 1 Hz.
- I²C-bus interface: 400 kHz.
- 100% Pb-free, RoHS-compliant.
- Automotive qualification according to AEC-Q200 available.

BLOCK DIAGRAM



ELECTRICAL CHARACTERISTICS AT 25°C

More detailed information can be found in the Application Manual.

	Symbol	Condition	Min.	Typ.	Max	Unit
Supply voltage	V _{DD}	I ² C-bus active	1.8		5.5	V
Supply voltage	V _{DD}	Time keeping	0.9		5.5	V
Current consumption Time keeping mode	I _{DDO}	I ² C-bus inactive, V _{DD} = 3 V		190	240	nA
CLKOUT frequency	F _{CLKOUT}	Programmable	32768 to 1			Hz
Frequency tolerance	ΔF/F	@ 25°C	±20 ¹⁾			ppm
Aging first year max.	ΔF/F	@ 25°C	±3			ppm

1) Tighter frequency tolerances on request.

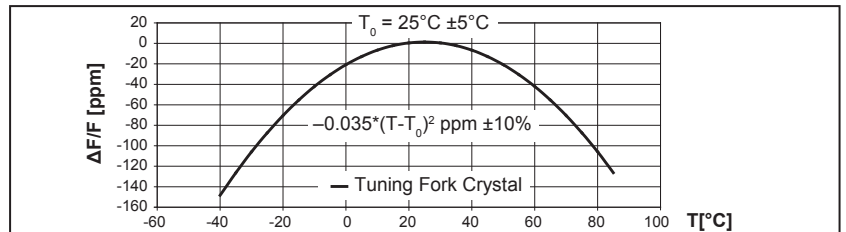
ENVIRONMENTAL CHARACTERISTICS

		Conditions	Max. Dev.
Storage temp. range		-55 to +125°C	
TA Operating temperature range		-40 to +85°C	
Shock resistance	ΔF/F	5000 g, 0.3 ms, ½ sine	±5 ppm
Vibration resistance	ΔF/F	20 g / 10–2000 Hz	±5 ppm

TERMINATIONS AND PROCESSING

Package	Termination	Processing
SON-8	Au flashed pads	IPC/JEDEC J-STD-020C 260°C / 20 - 40 s

FREQUENCY TEMPERATURE CHARACTERISTICS



PIN CONNECTIONS TOP VIEW

Product Date Code

#8 #5

M839A1

8263

#1 #4

Part Designation

Pin 1 Index

Pin	Connection
1	NC Not connected
2	V _{SS} Ground
3	CLKOE Clock Output Enable
4	INT Interrupt Output
5	V _{DD} Power Supply Voltage
6	CLKOUT Clock Output
7	SCL Serial Clock Input
8	SDA Serial Data

ORDERING INFORMATION

RV - 8263 - C7 TA QC

RTC module

Product type

Package size

C7 = 3.2 x 1.5 x 0.8 mm

Qualification

QC = Commercial Grade (Standard)

QA = Automotive Grade AEC-Q200

Temperature range

TA = -40 to +85°C (Standard)

A unique part number will be generated for each product specification, i.e:	
20xxxx-MG01	1'000 pcs (in 12 mm tape on 7" reel)
20xxxx-MG03	3'000 pcs (in 12 mm tape on 7" reel)

All specifications subject to change without notice.



A COMPANY OF THE SWATCH GROUP

Micro Crystal AG
Muehlestrasse 14
CH-2540 Grenchen
Switzerland

Phone +41 32 655 82 82
Fax +41 32 655 82 83
sales@microcrystal.com
www.microcrystal.com

Looking for pricing, stock, or lifecycle information?

Click below to explore more details on WIN SOURCE:

- ⊖ [View RV-8263-C7-32.768KHZ-20PPM-TA-QC on WIN SOURCE](#)
- ⊖ [Micro Crystal AG Information](#)

Optimize Your Supply Chain with WIN SOURCE Solutions

- ✓ Global Sourcing Solution
- ✓ Obsolete Management
- ✓ Cost Control Management
- ✓ Shortage Management
- ✓ Alternative Solution
- ✓ Excess Inventory Management