



**THE DATASHEET OF
MM126515**



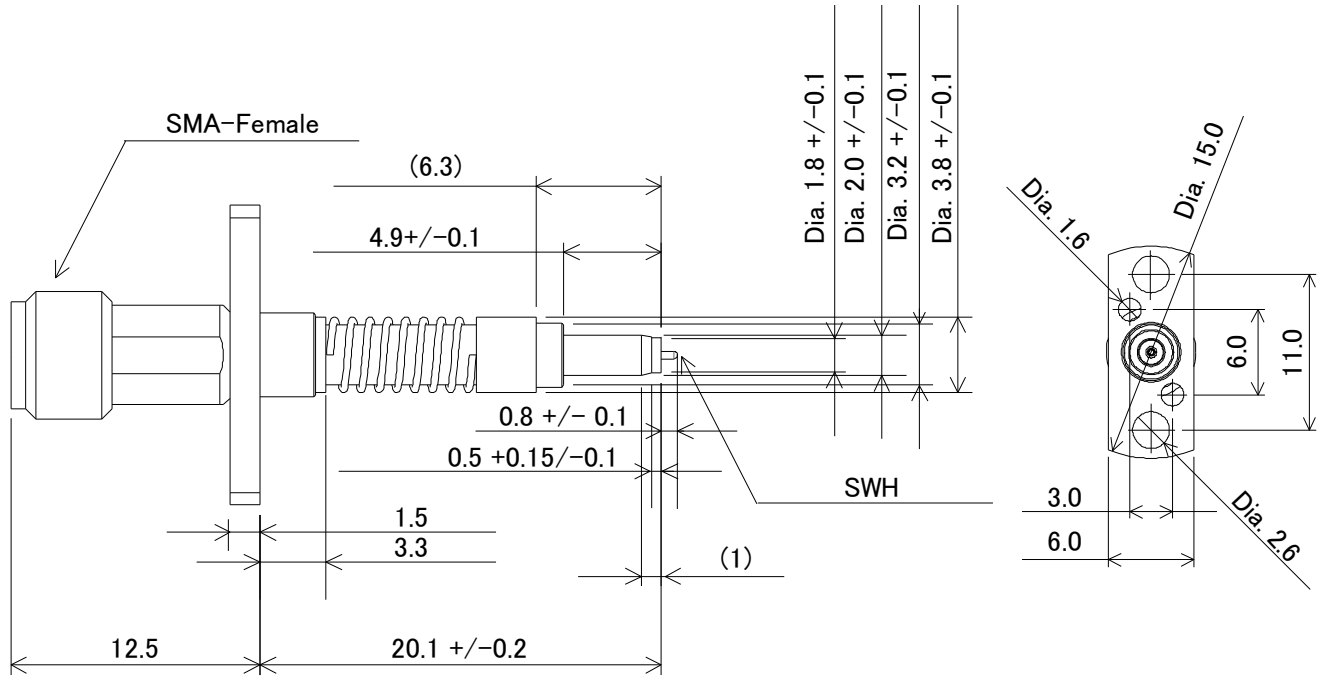
SPECIFICATION

1. MECHANICAL

Revised A: 10/May./13 MA Revised B: 18/Aug./15 IG

Automatic measurement probe for SWH

A>



Scale: Free
 Tolerance Unless
 Otherwise Specified: +/- 0.5
 Unit: mm

Figure 1 Construction

2. RATING:

Item	Specification
Voltage Rating	30Vr.m.s. maximum
Nominal Frequency Range	DC to 6GHz
Nominal Impedance	50Ω
Temperature Rating	-40°C to +85°C
Insulation Resistance	500 MΩ minimum
Withstanding Voltage	No evidence of breakdown
Initial Contact Resistance (without conductor resistance)	Center contact 70.0mΩmax. Outer contact 20.0mΩmax.
Voltage Standing Wave Ratio (V.S.W.R.)	Meet the requirements of following spec. 1.3 (DC to 3GHz) 1.8 (3GHz to 6GHz)
Insertion loss	0.4dB max (DC to 3GHz) 0.7dB max (3GHz to 6GHz)
Durability	750K

3. USE THIS PRODUCTS

3.1 The directions for attachment to measurement machine.

The probe must be attached to machine at the two screw holes in probe flange. (Figure 2)

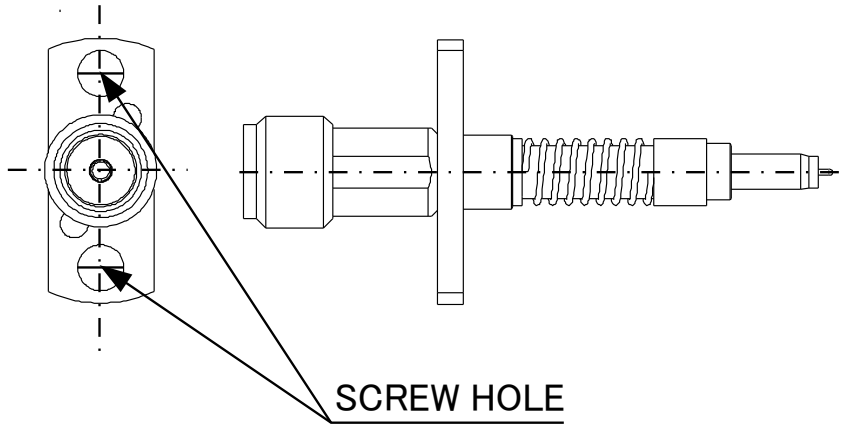


Figure.2 Screw hole position

B>

3.2 The tolerance of position against SWH.

3.2.1 Probe has the centering function by itself, **+0.4mm** is permitted against the hole center of SWH. Please avoid needless force to SMA connector to come back the original position when disengagement of probe. To avoid the needless force, we recommend using extension cable assembly, MXHR87HR3000. The instruction of the MXHR87HR3000 is as Figure 3. There is the possibility, following function $\pm 0.4\text{mm}$ is not permitted against the hole center of SWH, when probe effects the needless force.

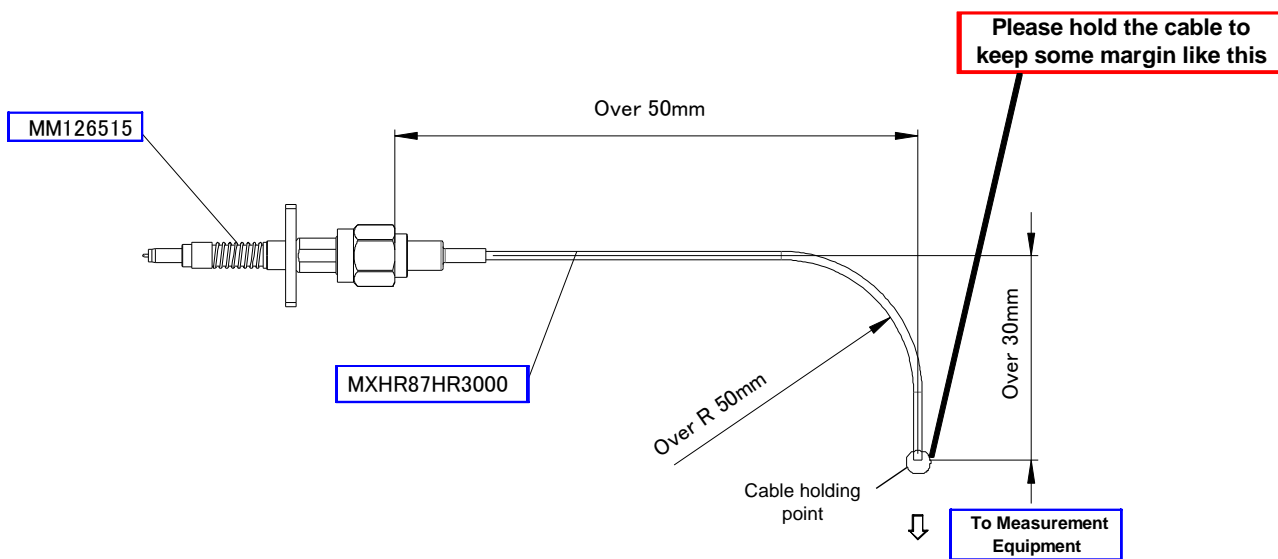


Figure.3 Instruction of MXHR87HR3000

Preliminary Specification of COAXIAL CONNECTOR

Preliminary SPEC No. : NMM04-PU0024B

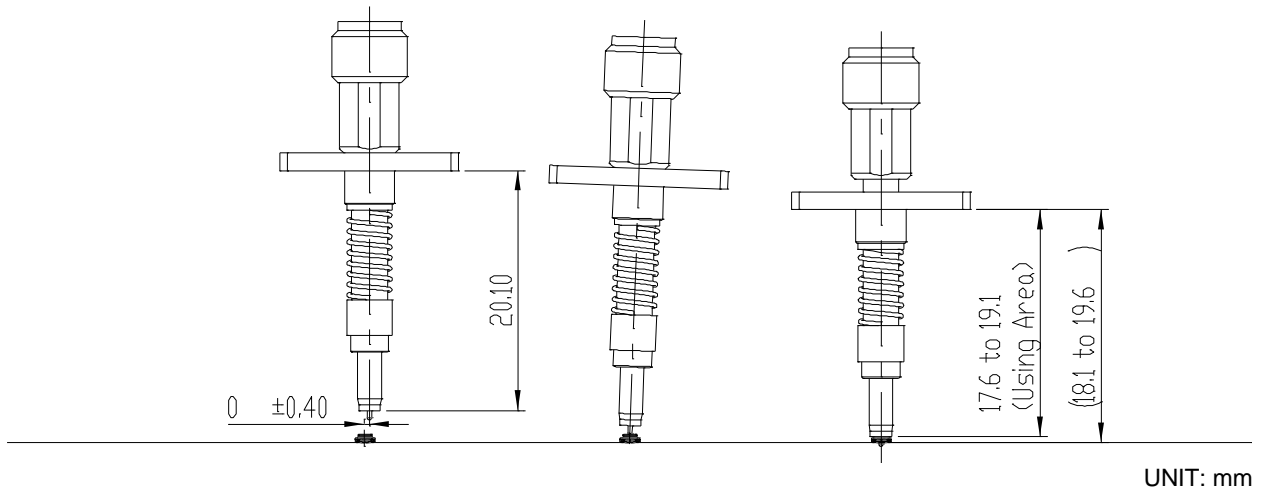
Part Number : MM126515

Written by H. Minami

Checked by T. Kuriyama

Date 13/May./2013

3.2.2 To get the 15dB or higher isolation (up to 6GHz), The engagement strokes from the flange to the tip of probe is **17.6mm to 19.1mm**. (Figure 4)



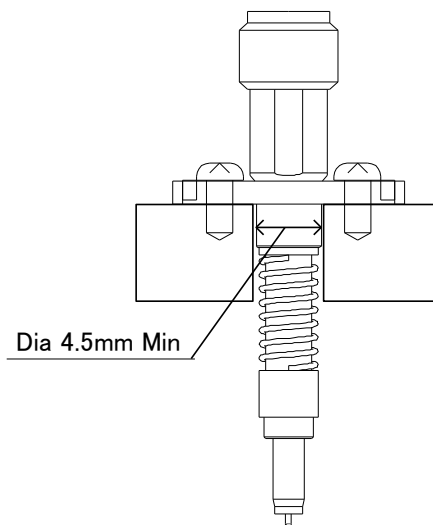
B>

Figure.4 Acceptable engagement range to SWH

B>

3.3 The machine's hole diameter for attachment probe.

To accept +/-0.4mm against the hole center of SWH. Please design the machine by Figure 5.



UNIT: mm

Figure.5 Machine's hole diameter for attachment probe

B>

3.4 The slant angle tolerance of probe against SWH. (Figure 6)

To have the stable measurement, MM126515 slant angle must be +/-2degree.

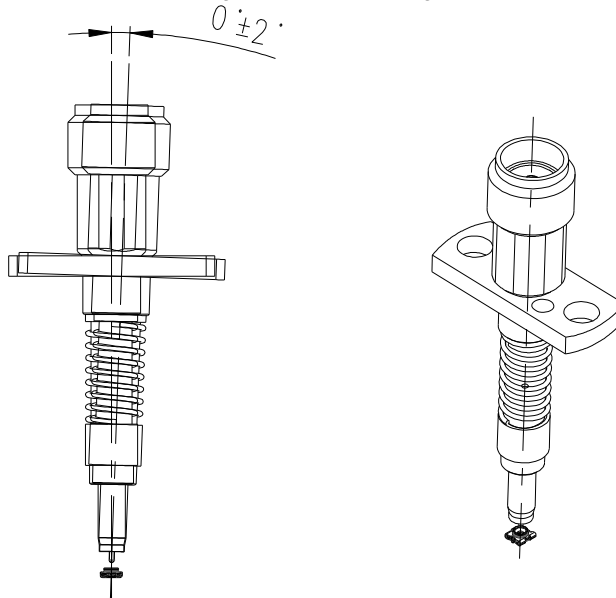


Figure.6 Probe Shape Operation Manual for Auto Measurement probe (MM126515)

4. CAUTION

Limitation of Applications

Please do not use our products for the applications listed below which require specially high reliability for the prevention of defects which may directly or indirectly cause damage to the third party's life, body or property.

- (1) Aircraft equipment
- (2) Aerospace equipment
- (3) Undersea equipment
- (4) Power plant control equipment
- (5) Medical equipment
- (6) Transportation equipment (vehicles, trains, ships, etc.)
- (7) Traffic signal equipment
- (8) Disaster prevention / crime prevention equipment
- (9) Data-processing equipment
- (10) Application of similar complexity and/or reliability requirements to the applications listed in the above.

Looking for pricing, stock, or lifecycle information?

Click below to explore more details on WIN SOURCE:

- [View MM126515 on WIN SOURCE](#)
- [Murata Electronics North America Information](#)

Optimize Your Supply Chain with WIN SOURCE Solutions

- ✓ Global Sourcing Solution
- ✓ Obsolete Management
- ✓ Cost Control Management
- ✓ Shortage Management
- ✓ Alternative Solution
- ✓ Excess Inventory Management