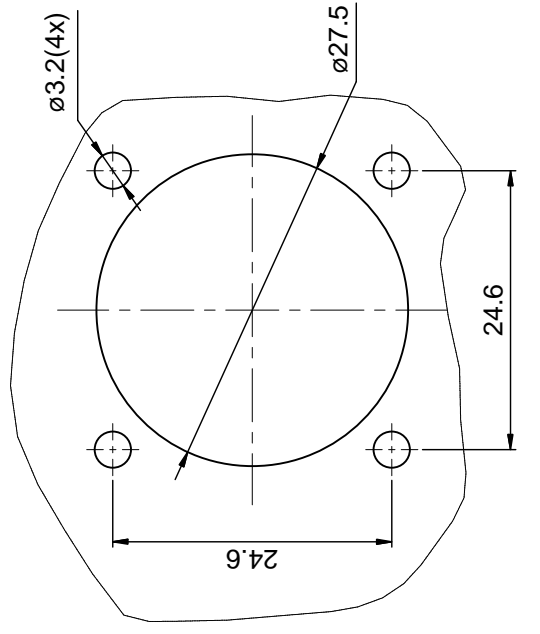
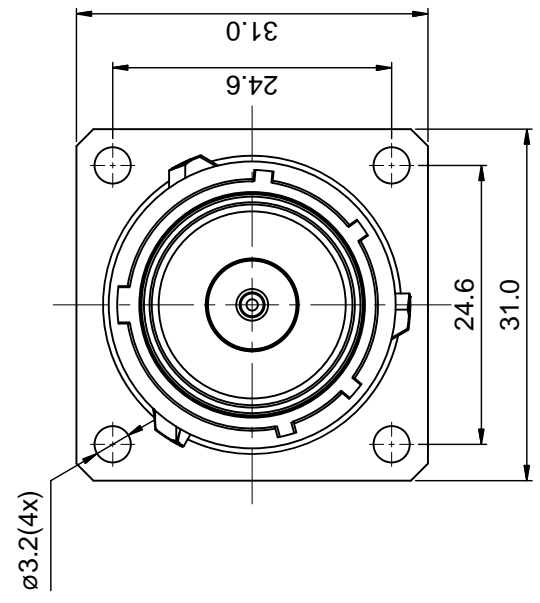


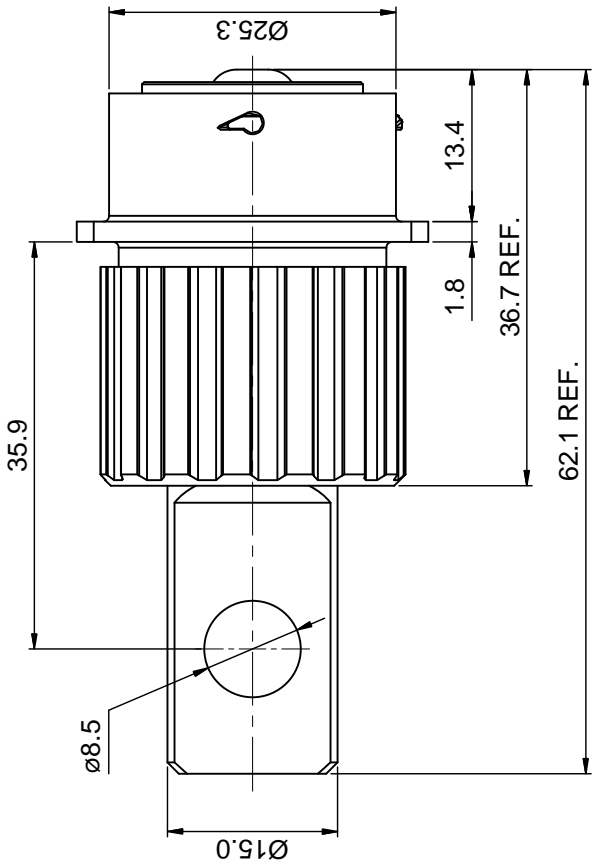
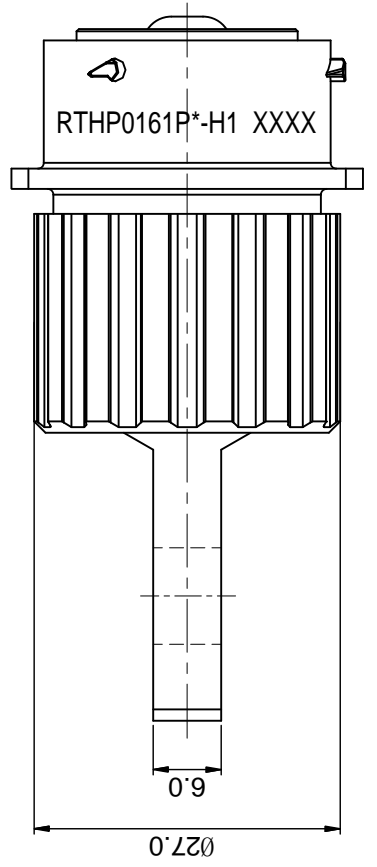


**THE DATASHEET OF
RTHP0161PN-H1**





Mounting Hole



KEY POS	PART NO.
N	RTHP0161PN-H1
W	RTHP0161PW-H1
X	RTHP0161PX-H1
Y	RTHP0161PY-H1
Z	RTHP0161PZ-H1

QUANTIT	UNLESS OTH	1) All dimension	2) Tolerances a	1 PL DEC +0.3	2 PL DEC +0.1	3 PL DEC +0.0	3) Note referen	MATERIAL SPECIF	PROCESS SPECIF	NEXT ASSY.
---------	------------	------------------	-----------------	---------------	---------------	---------------	-----------------	-----------------	----------------	------------

Looking for pricing, stock, or lifecycle information?

Click below to explore more details on WIN SOURCE:

[View RTHP0161PN-H1 on WIN SOURCE](#)

[Amphenol Sine Systems Corp Information](#)

Optimize Your Supply Chain with WIN SOURCE Solutions

- ✓ Global Sourcing Solution
- ✓ Obsolete Management
- ✓ Cost Control Management
- ✓ Shortage Management
- ✓ Alternative Solution
- ✓ Excess Inventory Management