

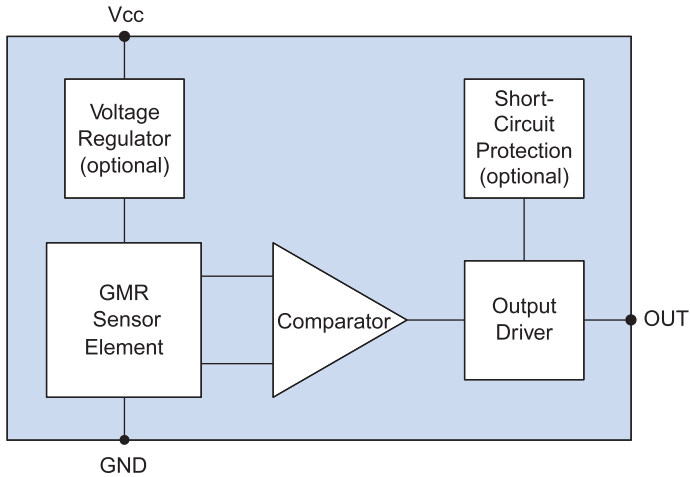


**THE DATASHEET OF  
AD320-00E**



## AD-Series GMR Switch™ Precision Digital Magnetic Sensors

### Functional Diagram



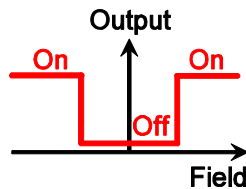
### Features

- Digital outputs
- Precision operate points from 1 – 8 mT (10 – 80 Oe)
- 3 V – 6 V and 4.5 V – 30 V versions
- 20 mA output drive
- Temperature and voltage stability
- Available with short-circuit protection
- Standard or cross-axis orientation
- Frequency response to 100 kHz
- Ultraminiature DFN6 and MSOP8 packages

### Applications

- Motion, speed, and position control
- Pneumatic cylinder position sensing
- Speed sensing

### Idealized Transfer Function



### Description

AD-Series GMR Switches are the industry standard for sensitivity and precision.

GMR Switches integrate GMR sensor elements with digital signal processing electronics. These sensors are more precise than other magnetic sensors, and magnetic field operate points are stable over voltage and temperature extremes.

AD-Series models available in a wide variety of magnetic operate points and output configurations. Versions are available with short-circuit protection circuitry and with integrated voltage regulators.

### Absolute Maximum Ratings

Parameter		Symbol	Min.	Max.	Units	Test Conditions
Supply voltage	AD08x		-0.5	7	Volts	
	AD8xx/AD9xx		-0.5	33		
	All others	V <sub>CC</sub>	-33	33		
Output voltage			-0.5	33	Volts	
Continuous output current				24	mA	
Operating temperature			-40	125	°C	
Storage temperature			-65	150	°C	
ESD				2000	Volts	Human Body Model
Applied magnetic field		B		Unlimited	tesla	

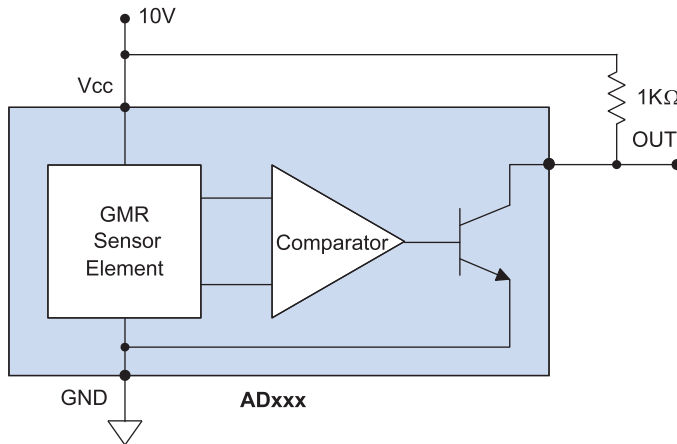
## Operating Specifications

T <sub>min</sub> to T <sub>max</sub> ; 4.5 V < V <sub>CC</sub> < 30 V unless otherwise stated.						
Parameter	Symbol	Min.	Typ.	Max.	Units	Test Conditions
Supply voltage	V <sub>CC</sub>					
AD084		3		6	Volts	
All others		4.5		30		
Operating temperature	T <sub>MIN</sub> ; T <sub>MAX</sub>	-40		125	°C	
Magnetic operate point	B <sub>OP</sub>				mT*	
ADH025		0.8	1	1.2		
AD004; AD021; AD621		1.5	2	2.5		
AD024; AD084; AD824; AD924		2.1	2.8	3.3		
AD005; AD022		3	4	5		
AD913		5	6	7		
AD006; AD023	6	8	10			
Operate/release differential	B <sub>OP</sub> -B <sub>REL</sub>				mT*	
ADH025		0.2		0.8		
AD004; AD021; AD621		0.5		1.4		
AD024; AD084; AD824; AD924		0.5		1.5		
AD005; AD022		0.5		2.5		
AD913		0.5		2.2		
AD006; AD023	0.5		5			
Supply current	AD08x		0.7	1.2	mA	V <sub>CC</sub> = 5 V; Output Off
	AD0xx-AD7xx (except AD08x)		1.8			V <sub>CC</sub> = 5 V; Output Off
			3			V <sub>CC</sub> = 5 V; Output On
			2.5	4.5		V <sub>CC</sub> = 12 V; Output Off
			4	6.5		V <sub>CC</sub> = 12 V; Output On
			5.5			V <sub>CC</sub> = 24 V; Output Off
			7.5			V <sub>CC</sub> = 24 V; Output On
			6.3			V <sub>CC</sub> = 30 V; Output Off
			8.3			V <sub>CC</sub> = 30 V; Output On
	AD8xx/AD9xx	1.75	3.5	V <sub>CC</sub> = 12 V; Output Off		
		3	5.5	V <sub>CC</sub> = 12 V; Output On		
	Output current	AD0xx-AD7xx	20			mA
	AD8xx/AD9xx	2				
Sinking output voltage	AD8xx/AD9xx			0.4	V	V <sub>CC</sub> = 12 V; I <sub>O</sub> = 2 mA
	AD0xx-AD7xx			0.2		V <sub>CC</sub> = 12 V; I <sub>O</sub> = 20 mA
Sourcing output voltage	AD8xx/AD9xx			V <sub>CC</sub> -2	V	V <sub>CC</sub> = 12 V
	AD0xx-AD7xx			V <sub>CC</sub> -2.5		
Output leakage current (output Off)	I <sub>O-OFF</sub>			10	µA	V <sub>CC</sub> = 12 V
Short-circuit voltage (AD8xx/AD9xx only)	V <sub>Short</sub>	0.12		0.17	V	Output On
Regulator output	AD4xx - AD7xx		5.8	6.2	V	V <sub>CC</sub> > 6.6V; 0 < I <sub>REG</sub> < 20 mA
		3.5	V <sub>CC</sub> - 0.9			V <sub>CC</sub> < 6.6 V
	AD8xx/AD9xx		5.8	6	V	V <sub>CC</sub> > 6.6V; 0 < I <sub>REG</sub> < 20 mA
		3.5	V <sub>CC</sub> - 0.9			V <sub>CC</sub> < 6.6 V
Regulator output (AD4xx - AD9xx)	I <sub>REG</sub>	3			mA	
Frequency response	f <sub>MAX</sub>	100			kHz	
Junction-Ambient Thermal Resistance	θ <sub>JA</sub>		320		°C/W	Double-sided PCB; free air

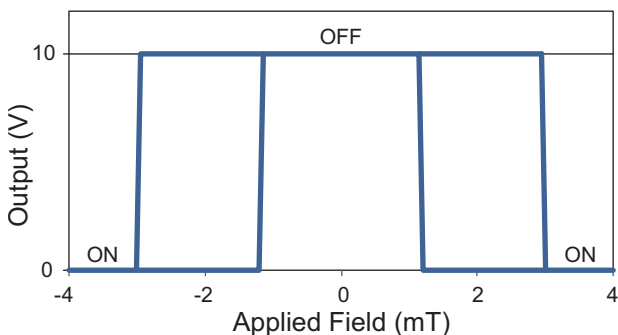
\*1 mT = 10 Oe in air.

**Operation**

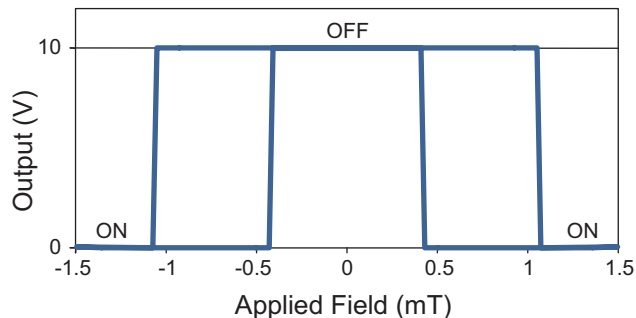
Typical connections with an external pull-up resistor are shown below:



**Figure 1. Typical connections.**



**Figure 2a. Typical output vs. magnetic field (AD024 with a 10 V supply and 1 kΩ pull-up resistor).**



**Figure 2b. Typical output vs. magnetic field (ADH025 with a 10 V supply and 1 kΩ pull-up resistor).**

**ON / OFF Behavior**

AD-Series sensor outputs turn ON when the field exceeds the magnetic operate point, and OFF when the field drops below the operate point minus the release differential.

**External Pull-Up Resistors**

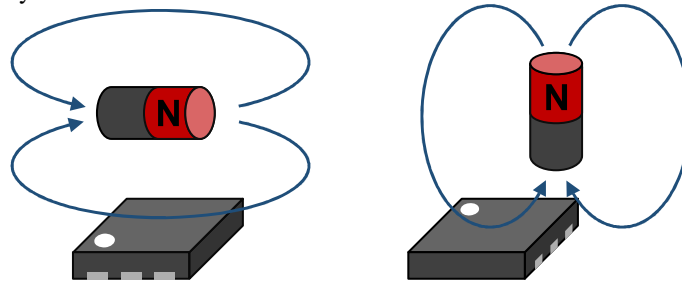
Outputs are open collector, with PNP output transistors for sourcing versions and NPN transistors for sinking versions. Outputs should have external pull-up or pull-down resistors. For microcontroller interfaces, the microcontroller’s input pull-up resistors can be activated.

**Omnipolar**

GMR Switches are “omnipolar,” which means the outputs turn ON when a magnetic field of either magnetic polarity is applied.

**In-Plane Magnetic Sensitivity**

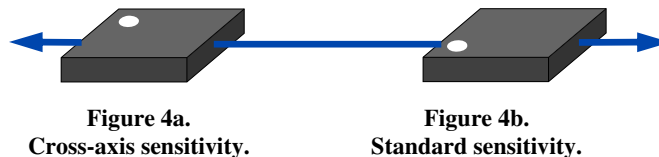
As the field varies in intensity, the digital output will turn on and off. Unlike Hall-effect or other sensors, the direction of sensitivity is in the plane of the package. The diagrams below show two permanent magnet orientations that will activate the sensor in the direction of sensitivity:



**Figure 3. Planar magnetic sensitivity.**

**Standard and Cross-Axis Sensitivity**

Standard AD-Series sensors are sensitive along the part axis as shown in Figure 4b, but a number of versions are available with cross-axis sensitivity (see Figure 4a):

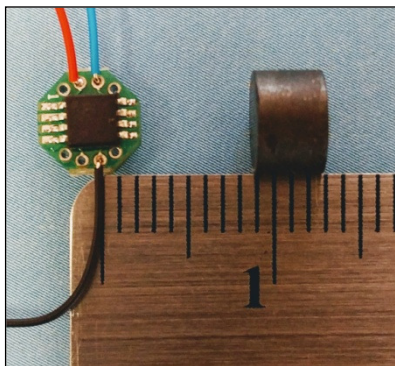


**Figure 4a.**  
Cross-axis sensitivity.

**Figure 4b.**  
Standard sensitivity.

**Typical Operation**

A typical proximity sensor using an AD022 cross-axis sensor and magnet is shown in the figures below. This sensor has a 40 Oe typical operate point, and actuates with the magnet approximately 0.375 inches (9 mm) from the center of the sensor. Because the sensor is omnipolar, it will operate with either a north or south magnet face.



**Figure 5. An AD022 sensor (pin 1 is upper left; the sensor has cross-axis sensitivity), on an AG015 circuit board with a 12031 8 mm dia. x 3 mm thick ferrite magnet. Sensor activates at approx. 9 mm distance. Red wire = V<sub>CC</sub>; Blk = GND; Blue = OUT (Sink).**

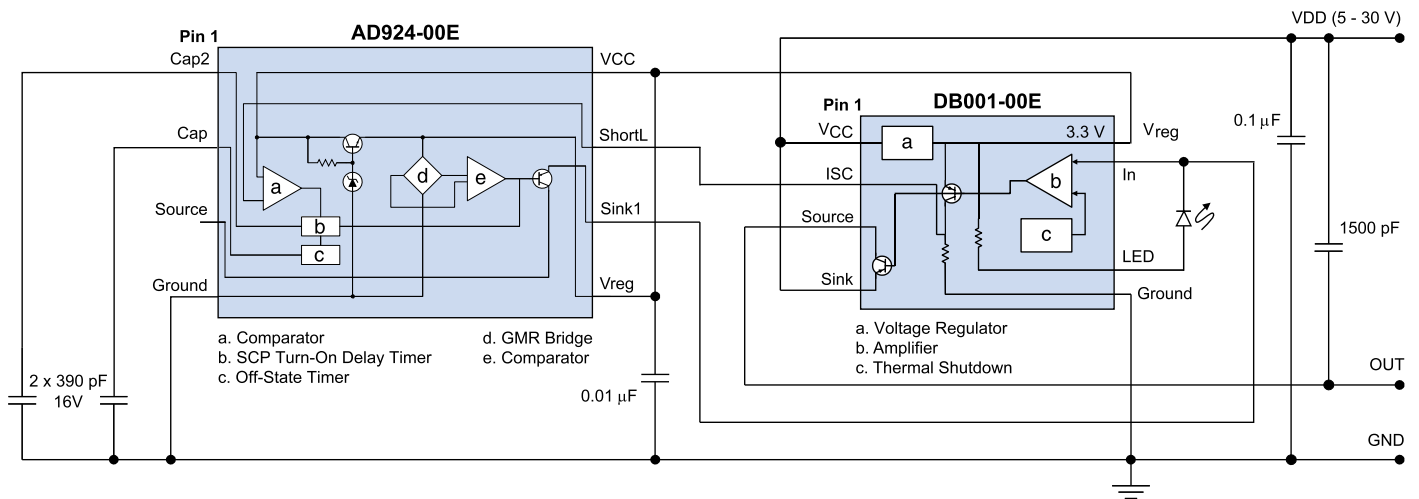
More sensitive sensors with lower magnetic operate points (such as the 1 mT ADH025-00E) operate with the magnet farther away. Stronger or larger magnets will also increase the operate distance. Our most sensitive digital sensor (the AFL006; see [AFL-Series sensor datasheet](#)) has been demonstrated to operate with a rare-earth magnet at an air gap of two inches (50 mm) or more.

We have a free, Web-based application that provides fields and operate distances for various sensor and magnet types:

[www.nve.com/spec/calculators.php](http://www.nve.com/spec/calculators.php)

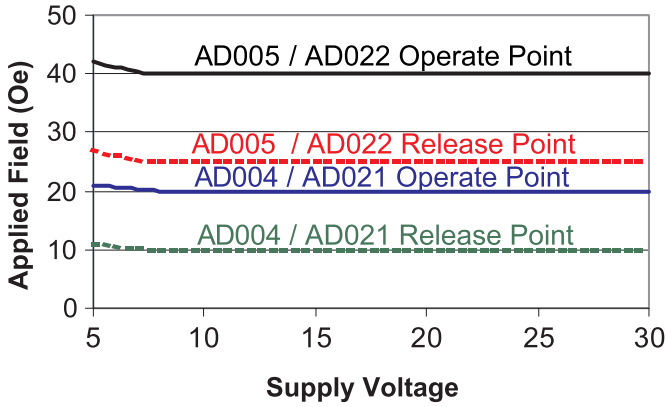




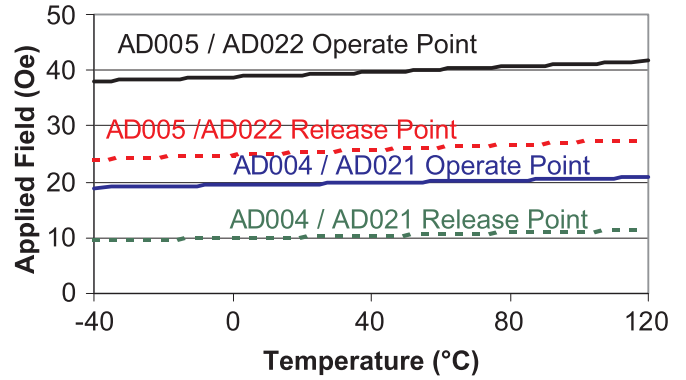


**Figure 10. A GMR Switch with an external power switch IC for a high-power output, bullet-proof system.**

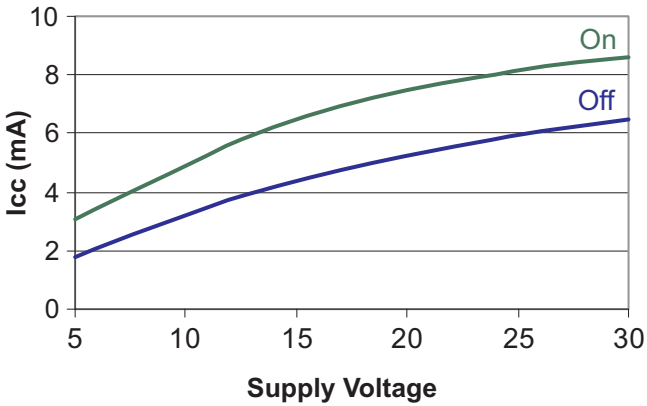
**Typical Performance Graphs**



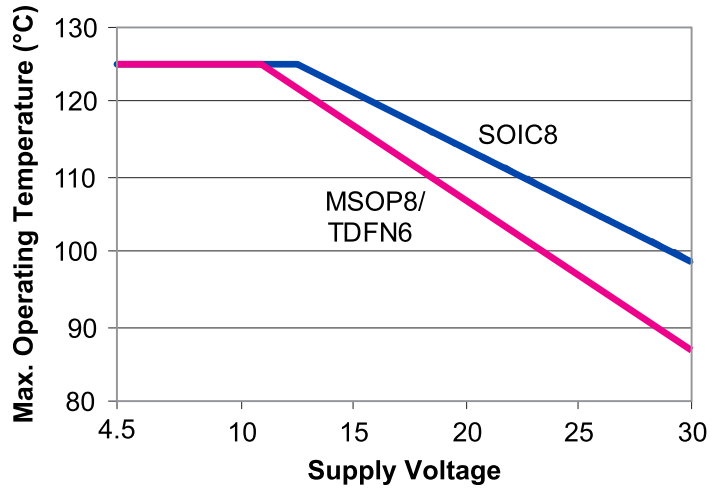
**Figure 11. Typical Operate and Release Points vs. supply voltage (25°C).**



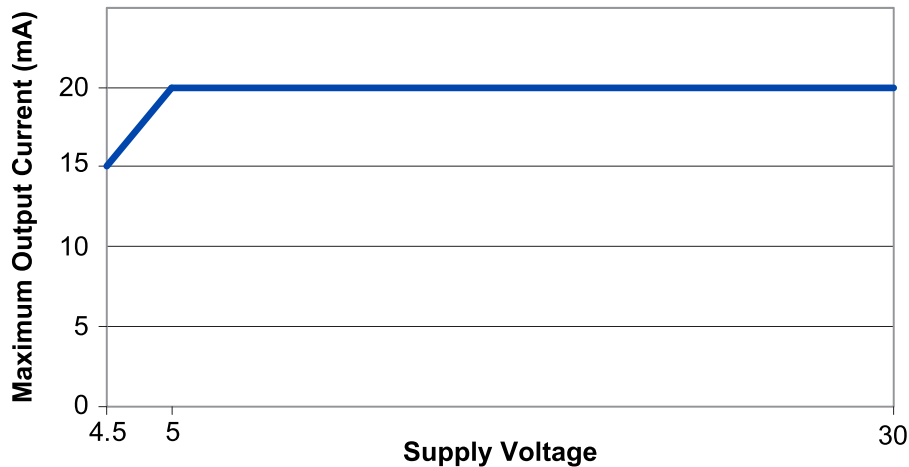
**Figure 12. Typical Operate and Release Points vs. temperature (12 V).**



**Figure 13. Typical AD0xx supply current vs. supply voltage.**

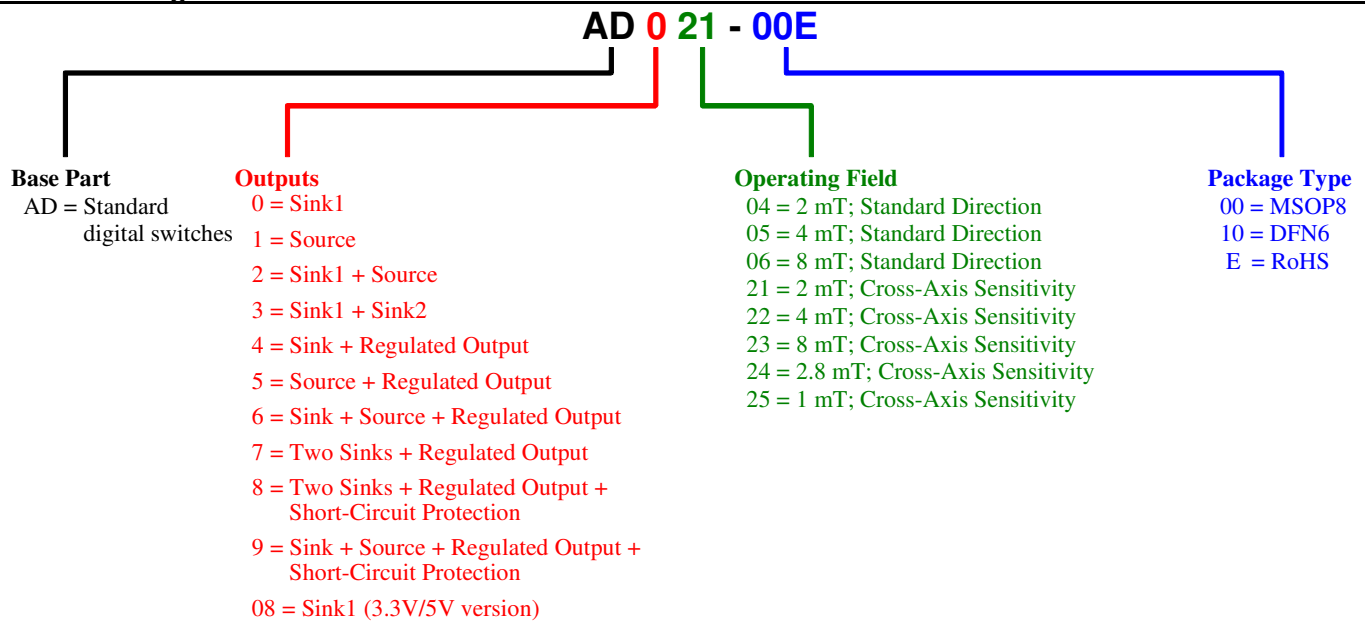


**Figure 14. Operating temperature derating (free air).**



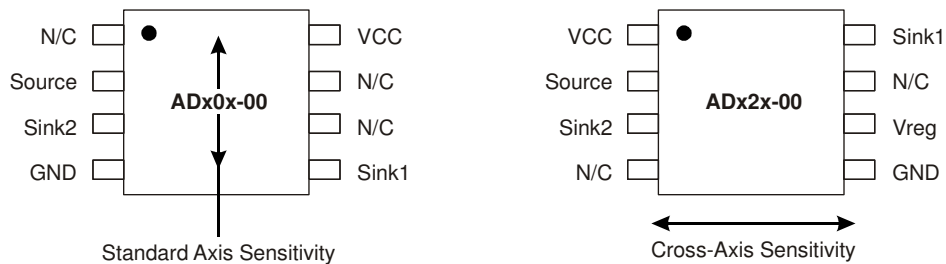
**Figure 15. Output current vs. supply voltage.**

## Part Numbering

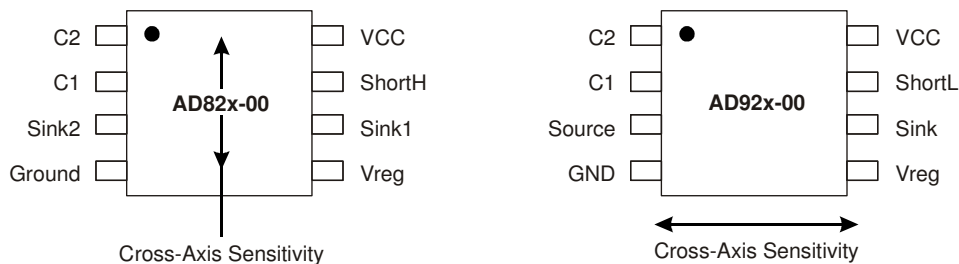


## Pinouts

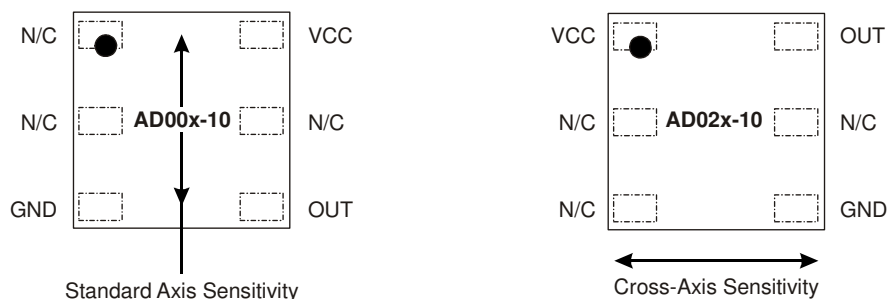
### MSOP GMR Switches Without Short-Circuit Protection (AD0xx-00 – AD7xx-00; ADH0xx-00):



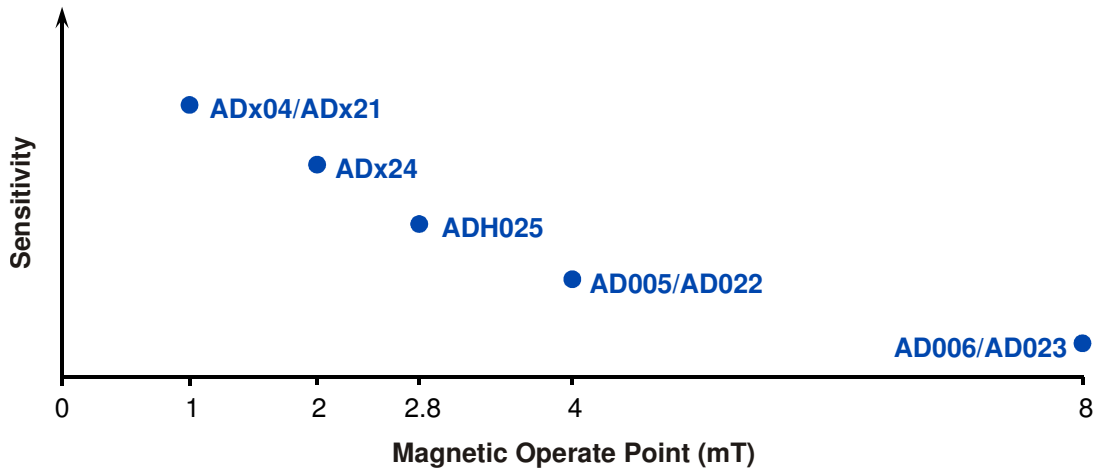
### MSOP GMR Switches with Short-Circuit Protection (AD8xx-00 – AD9xx-00):



### DFN GMR Switches (AD0xx-10):



### Operating Point Chart

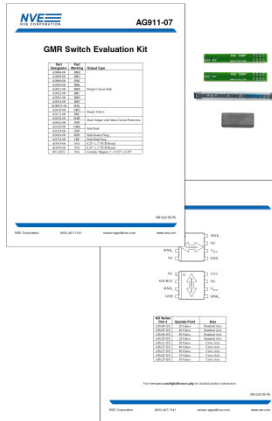


### Available Parts

Available Part	Operate Point (typ.)	Release Point (typ.)	Magnetic Orientation	Output; Features	Max. Operating Temperature	Package
AD004-00E	2 mT	1 mT	Standard	Sink	125 °C	MSOP8
AD005-00E	4 mT	2.5 mT	Standard	Sink	125 °C	MSOP8
AD006-00E	8 mT	5 mT	Standard	Sink	125 °C	MSOP8
AD021-00E	2 mT	1 mT	Cross-axis	Sink	125 °C	MSOP8
AD022-00E	4 mT	2.5 mT	Cross-axis	Sink	125 °C	MSOP8
AD024-00E	2.8 mT	1.4 mT	Cross-axis	Sink	125 °C	MSOP8
AD024-10E	2.8 mT	1.4 mT	Cross-axis	Sink	125 °C	DFN6
AD023-00E	8 mT	5 mT	Cross-axis	Sink	125 °C	MSOP8
AD084-00E	2.8 mT	1.4 mT	Cross-axis	Sink; 3 to 6 V operation	125 °C	MSOP8
AD621-00E	2 mT	1 mT	Cross-axis	Sink+Source+Regulator	125 °C	MSOP8
AD624-00E	2.8 mT	1.4 mT	Cross-axis	Sink+Source+Regulator	125 °C	MSOP8
AD622-00E	4 mT	2.5 mT	Cross-axis	Sink+Source+Regulator	125 °C	MSOP8
AD623-00E	8 mT	5 mT	Cross-axis	Sink+Source+Regulator	125 °C	MSOP8
AD721-00E	2 mT	1 mT	Cross-axis	Two Sinks + Regulator	125 °C	MSOP8
AD724-00E	2.8 mT	1.4 mT	Cross-axis	Two Sinks + Regulator	125 °C	MSOP8
AD722-00E	4 mT	2.5 mT	Cross-axis	Two Sinks + Regulator	125 °C	MSOP8
AD723-00E	8 mT	5 mT	Cross-axis	Two Sinks + Regulator	125 °C	MSOP8
AD824-00E	2.8 mT	1.4 mT	Cross-axis	Two Sinks + Short-Circuit Protection	125 °C	MSOP8
AD913-00E	6 mT	3.5 mT	Cross-axis	Sink+Source + Short-Circuit Protection	125 °C	MSOP8
AD924-00E	2.8 mT	1.4 mT	Cross-axis	Sink+Source + Short-Circuit Protection	125 °C	MSOP8
ADH025-00E	1 mT	0.5 mT	Cross-axis	Sink	150 °C	MSOP8

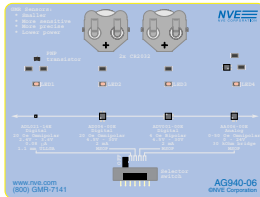
## Evaluation Kits

Two inexpensive evaluation kits including AD-Series GMR switches are available:



### AG910-07/AG911-07—GMR Switch Evaluation Kits

Several GMR Switches with different magnetic operate points and different output options such as current sink and current source. Magnets and circuit boards for mounting the parts are also included. The AG910-07 kit also includes a zero insertion force (ZIF) socket for easy testing of the MSOP-packaged sensors.

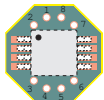


### AG940-07E: Digital/Analog/Omnipolar/Bipolar Sensor Demo Board

The kit includes a demo board with our most popular digital, analog, omnipolar, and bipolar sensors, including an AD004-00 digital sensor. Each sensor drives an indicator LED. A bar magnet is included so you can see for yourself how the sensors work. The evaluation boards are 3.75 by 5 inches (95 mm by 127 mm), and are powered by two coin cells (included).

## Bare Circuit Boards for Sensors

NVE offers several bare circuit boards for easy connections to surface-mount sensors. Popular PCBs are shown below (images are two times actual size):



### AG915-06:

0.25" (6 mm) octagonal  
MSOP8



AG918-06 (standard) / AG919-06 (cross-axis):  
2" x 0.25" (50 mm x 6 mm) MSOP8

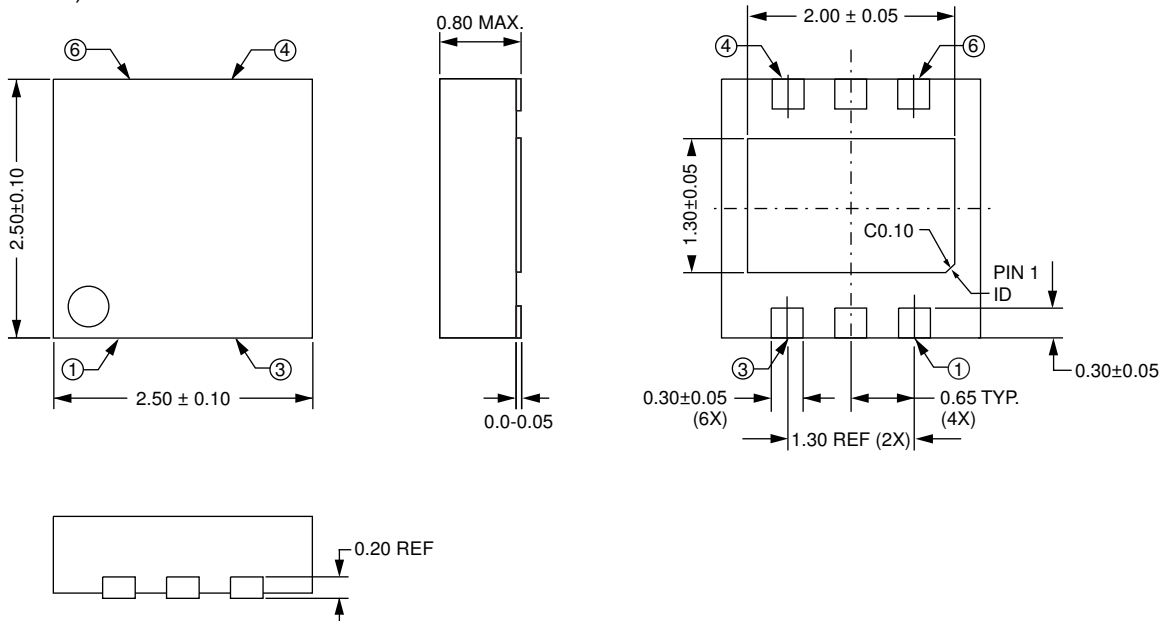


### AG035-06:

1.57" x 0.25" (40 mm x 6 mm) DFN6

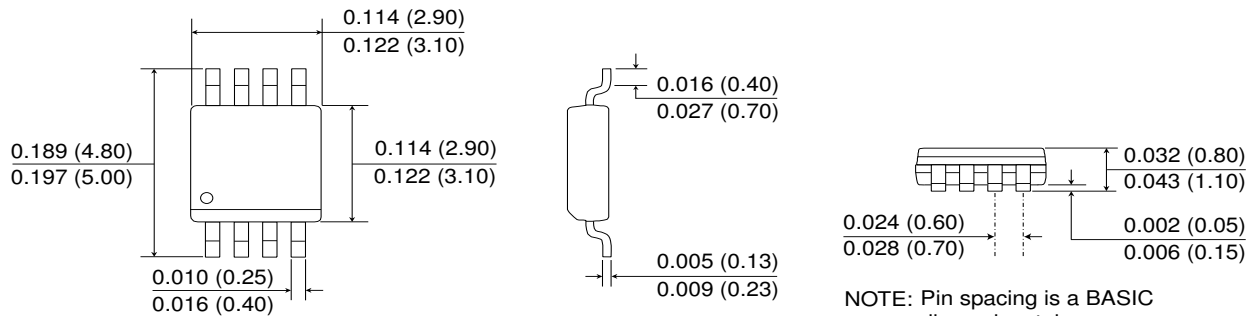
**Package Drawings**

**DFN6 (-10 suffix)**



**MSOP8 (-00 suffix)**

Dimensions in inches (mm); scale = approx. 5X



NOTE: Pin spacing is a BASIC dimension; tolerances do not accumulate

Soldering profiles per JEDEC J-STD-020C, MSL1



### Revision History

---

**SB-00-060-I**

April 2024

**Changes**

- Corrected MSOP standard-axis pinout (p. 10).
- Additional AD62x-00E and AD72x-00E available parts (p. 11).
- Misc. cosmetic changes.

**SB-00-060-H**

July 2021

**Change**

- Added AD913-00E.

**SB-00-060-G**

March 2020

**Changes**

- Added 3 V to 6 V version (AD084-00E).
- Added supply current specifications with output on and at various supply voltages (p. 3).
- Clarified Figs. 2a and 2b (p. 4).
- Added graph of typical AD0xx supply current vs. supply voltage (p. 9).

**SB-00-060-F**

November 2019

**Changes**

- Changed Figure 7 from AD921-00 to AD924-00E (p. 6).
- Added cross-axis versions to Figures 10 and 11 graphs (p. 8).
- Corrected TDFN standard-axis and cross-axis diagrams (p. 9).
- Added AD924-00E to “Stock Parts” (p. 10).

**SB-00-060-E**

October 2019

**Changes**

- Added AD023-00E (8 mT cross-axis GMR Switch).
- Added “Magnetic Orientation” (standard or cross-axis) to “Stock Parts” list (p. 10).
- SI units (mT) in addition to oersteds.
- Improved Figs. 3 and 4 (p. 4).

**SB-00-060-D**

October 2017

**Changes**

- Added description and image for “Typical Operation” (p. 4).
- Changed pin 5 of AD00x-10 drawing to “NC” instead of “Test” (p. 9).
- Added Operating Point Chart (p. 10).
- Added Evaluation Kits and bare circuit boards (p. 11).

**SB-00-060-C**

September 2017

**Changes**

- Added AD006-00E (80 Oe GMR Switch).
- Misc. cosmetic changes.

**SB-00-060-B**

August 2017

**Changes**

- Eliminated SOIC package option.
- Misc. cosmetic changes.

**SB-00-060-A**

March 2017

**Change**

- Initial datasheet release superseding catalog.

### Datasheet Limitations

The information and data provided in datasheets shall define the specification of the product as agreed between NVE and its customer, unless NVE and customer have explicitly agreed otherwise in writing. All specifications are based on NVE test protocols. In no event however, shall an agreement be valid in which the NVE product is deemed to offer functions and qualities beyond those described in the datasheet.

### Limited Warranty and Liability

Information in this document is believed to be accurate and reliable. However, NVE does not give any representations or warranties, expressed or implied, as to the accuracy or completeness of such information and shall have no liability for the consequences of use of such information.

In no event shall NVE be liable for any indirect, incidental, punitive, special or consequential damages (including, without limitation, lost profits, lost savings, business interruption, costs related to the removal or replacement of any products or rework charges) whether or not such damages are based on tort (including negligence), warranty, breach of contract or any other legal theory.

### Right to Make Changes

NVE reserves the right to make changes to information published in this document including, without limitation, specifications and product descriptions at any time and without notice. This document supersedes and replaces all information supplied prior to its publication.

### Use in Life-Critical or Safety-Critical Applications

Unless NVE and a customer explicitly agree otherwise in writing, NVE products are not designed, authorized or warranted to be suitable for use in life support, life-critical or safety-critical devices or equipment. NVE accepts no liability for inclusion or use of NVE products in such applications and such inclusion or use is at the customer's own risk. Should the customer use NVE products for such application whether authorized by NVE or not, the customer shall indemnify and hold NVE harmless against all claims and damages.

### Applications

Applications described in this datasheet are illustrative only. NVE makes no representation or warranty that such applications will be suitable for the specified use without further testing or modification.

Customers are responsible for the design and operation of their applications and products using NVE products, and NVE accepts no liability for any assistance with applications or customer product design. It is customer's sole responsibility to determine whether the NVE product is suitable and fit for the customer's applications and products planned, as well as for the planned application and use of customer's third party customers. Customers should provide appropriate design and operating safeguards to minimize the risks associated with their applications and products.

NVE does not accept any liability related to any default, damage, costs or problem which is based on any weakness or default in the customer's applications or products, or the application or use by customer's third party customers. The customer is responsible for all necessary testing for the customer's applications and products using NVE products in order to avoid a default of the applications and the products or of the application or use by customer's third party customers. NVE accepts no liability in this respect.

### Limiting Values

Stress above one or more limiting values (as defined in the Absolute Maximum Ratings System of IEC 60134) will cause permanent damage to the device. Limiting values are stress ratings only and operation of the device at these or any other conditions above those given in the recommended operating conditions of the datasheet is not warranted. Constant or repeated exposure to limiting values will permanently and irreversibly affect the quality and reliability of the device.

### Terms and Conditions of Sale

In case an individual agreement is concluded only the terms and conditions of the respective agreement shall apply. NVE hereby expressly objects to applying the customer's general terms and conditions with regard to the purchase of NVE products by customer.

### No Offer to Sell or License

Nothing in this document may be interpreted or construed as an offer to sell products that is open for acceptance or the grant, conveyance or implication of any license under any copyrights, patents or other industrial or intellectual property rights.

### Export Control

This document as well as the items described herein may be subject to export control regulations. Export might require a prior authorization from national authorities.

### Automotive Qualified Products

Unless the datasheet expressly states that a specific NVE product is automotive qualified, the product is not suitable for automotive use. It is neither qualified nor tested in accordance with automotive testing or application requirements. NVE accepts no liability for inclusion or use of non-automotive qualified products in automotive equipment or applications.

In the event that customer uses the product for design-in and use in automotive applications to automotive specifications and standards, customer (a) shall use the product without NVE's warranty of the product for such automotive applications, use and specifications, and (b) whenever customer uses the product for automotive applications beyond NVE's specifications such use shall be solely at customer's own risk, and (c) customer fully indemnifies NVE for any liability, damages or failed product claims resulting from customer design and use of the product for automotive applications beyond NVE's standard warranty and NVE's product specifications.

An ISO 9001 Certified Company

NVE Corporation  
11409 Valley View Road  
Eden Prairie, MN 55344-3617 USA  
Telephone: (952) 829-9217  
[www.nve.com](http://www.nve.com)  
[www.youtube.com/NveCorporation](http://www.youtube.com/NveCorporation)

e-mail: [sensor-info@nve.com](mailto:sensor-info@nve.com)

©NVE Corporation  
All rights are reserved. Reproduction in whole or in part is prohibited without the prior written consent of the copyright owner.

SB-00-060\_RevI

*April 2024*

## Looking for pricing, stock, or lifecycle information?

Click below to explore more details on WIN SOURCE:

 [View AD320-00E on WIN SOURCE](#)

 [NVE Corp Information](#)

## Optimize Your Supply Chain with WIN SOURCE Solutions

-  Global Sourcing Solution
-  Obsolete Management
-  Cost Control Management
-  Shortage Management
-  Alternative Solution
-  Excess Inventory Management