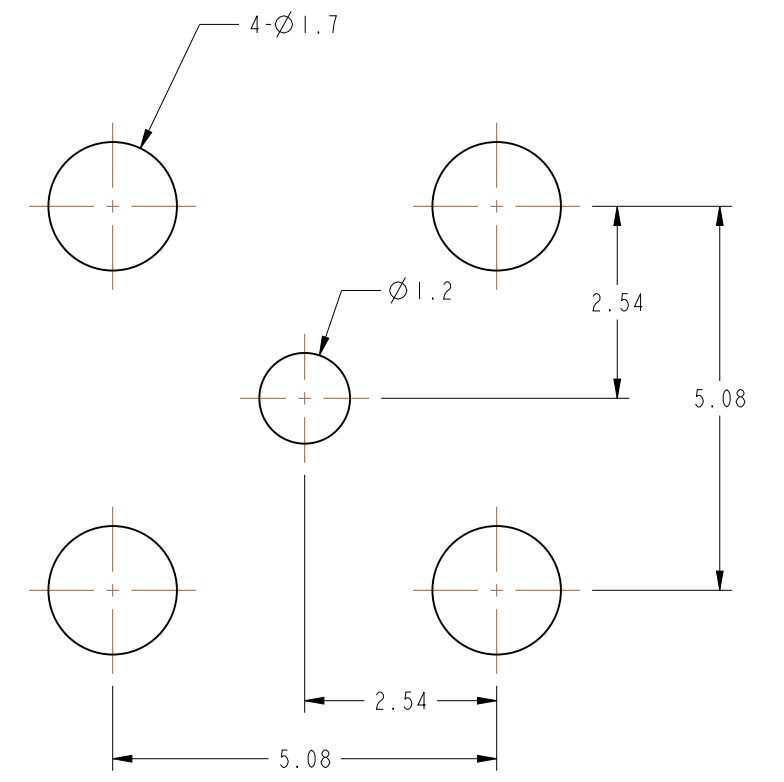
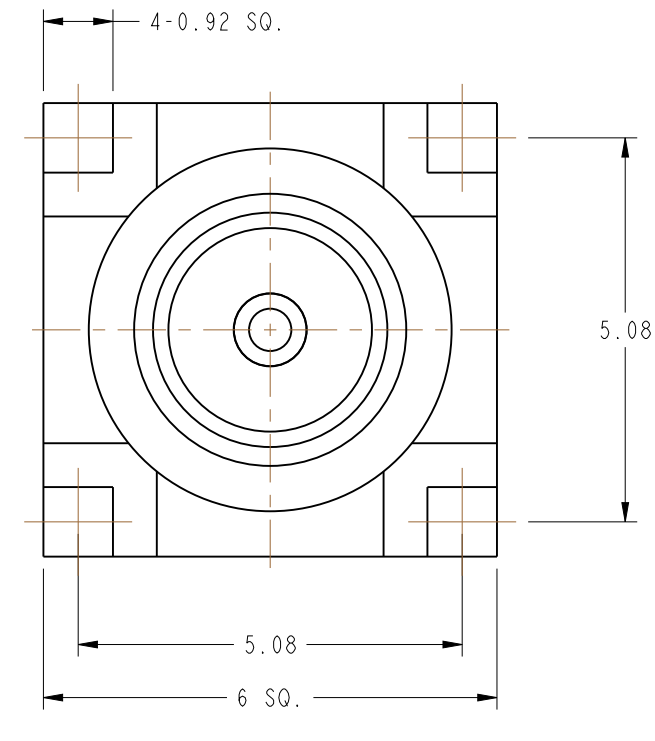
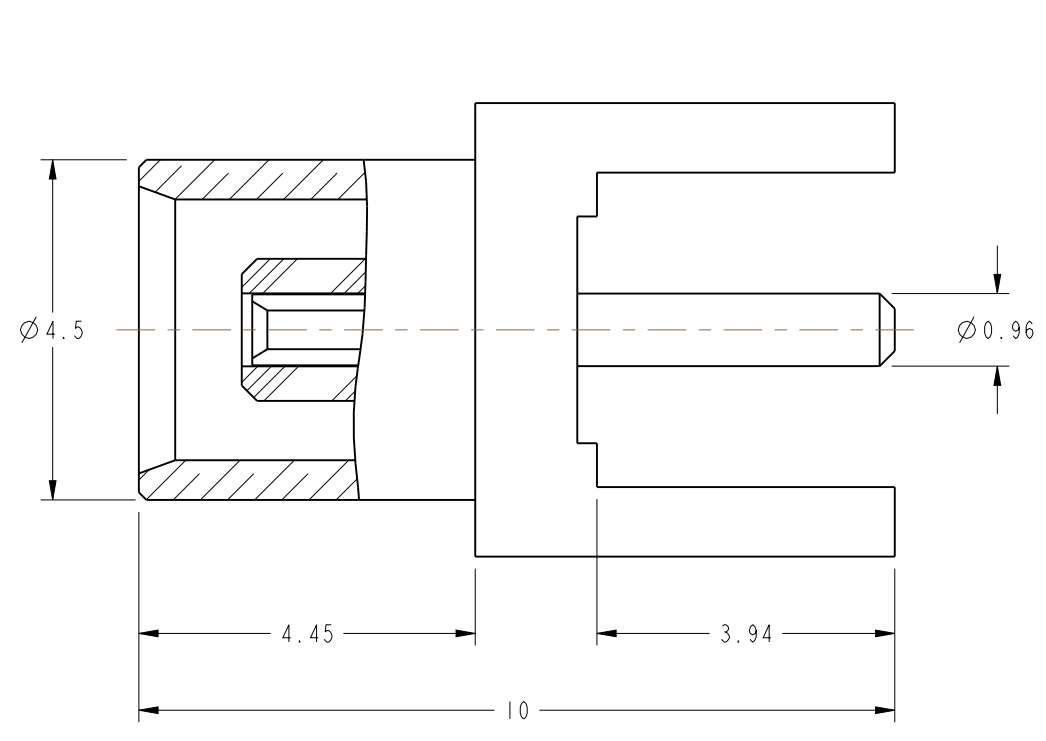
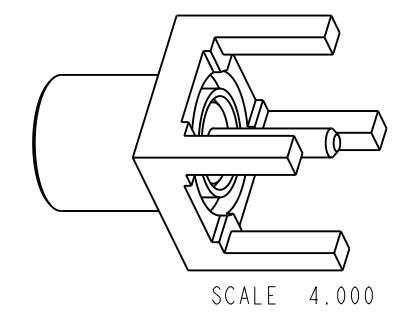




- NOTES:
- MATERIALS AND FINISHES:  
 BODY : BRASS, GOLD PLATING (3 MICROINCHES MIN.) OVER NICKEL PL. (100 MICROINCHES MIN.)  
 CONTACT : BERYLLIUM COPPER, GOLD PLATING (30 MICROINCHES MIN.) OVER NICKEL PL. (100 MICROINCHES MIN.)  
 INSULATOR : PTFE, NATURAL
  - ELECTRICAL:  
 A. IMPEDANCE: 50 OHM  
 B. FREQUENCY RANGE: DC - 6 GHz  
 C. DIELECTRIC WITHSTANDING VOLTAGE: 1000 VRMS, MIN.
  - MECHANICAL:  
 A. DURABILITY: 500 CYCLES MIN.  
 B. TEMPERATURE RANGE: - 15°C TO +155°C
  - PACKAGING:  
 A. QUANTITY: SINGLE PACK  
 B. MARKING: BAG TO BE MARKED  
 "AMPHENOL, 919-109J-51PX, AND DATE CODE"

THIRD ANGLE PROJ.

REVISIONS				
REV	DESCRIPTION	DATE	ECO	APPR
A	RELEASE TO MFG.			
B	SEE SHEET 1	09-02-99'		JOHNSON
BI	SEE SHEET 1	02-14-06'		SH
C	SEE SHEET 1	14-Jul-10	48054	SH
D	BODY WAS CHANGED/RD-DM17071101S6	19-Jun-17	04541	SW
E	ADD GOLD & NICKEL PLATING THICKNESSES TO C.O.D.	09-NOV-22	16805	CJV



**CUSTOMER OUTLINE DRAWING**  
 ALL OTHER SHEETS ARE FOR INTERNAL USE ONLY

UNLESS OTHERWISE SPECIFIED, DIMENSIONS ARE IN METRIC AND TOLERANCES ARE: <0.5mm ±0.05mm    0.5 - 6mm ±0.1mm    6 - 30mm ±0.2mm    30 - 120mm ±0.3mm    ANGLES ±1°	MATERIAL	DRAWN STAMN	DATE	TITLE MCX P.C. BOARD RECEPT. JACK	Amphenol RF www.amphenolrf.com	
		ENGINEER RICKSON	DATE 17-Jul-17			
	REFERENCE	APPROVED S.HSIEH	DATE 18-Jul-17	SCALE: 10.0:1.0	SHEET 2 OF 2	DRAWING NO. MCX625IBI-3GT30G-50
	FINISH	I:\MCX\MCX625IBI-3GT30G-50		DWG SIZE B	REV E	ITEM NO. 08625IAAB02GE5F PART NO. 919-109J-51PX

NOTICE - These drawings, specifications, or other data (1) are, and remain the property of Amphenol corp. (2) must be returned upon request; and (3) are confidential and not to be disclosed to any person other than those to whom they are given by Amphenol Corp., the furnishing of these drawings, specifications, or other data by Amphenol Corp., or to any other person to anyone for any purpose is not to be regarded by implication or otherwise in any manner licensing, granting rights to permitting such holder or any other sperson to manufacture, use or sell any product, process or design, patented or otherwise, that may in any way be related to or disclosed by said drawings, specifications, or other data.

## Looking for pricing, stock, or lifecycle information?

Click below to explore more details on WIN SOURCE:

 [View 919-109J-51PX on WIN SOURCE](#)

 [Amphenol-RF Division Information](#)

## Optimize Your Supply Chain with WIN SOURCE Solutions

-  Global Sourcing Solution
-  Obsolete Management
-  Cost Control Management
-  Shortage Management
-  Alternative Solution
-  Excess Inventory Management