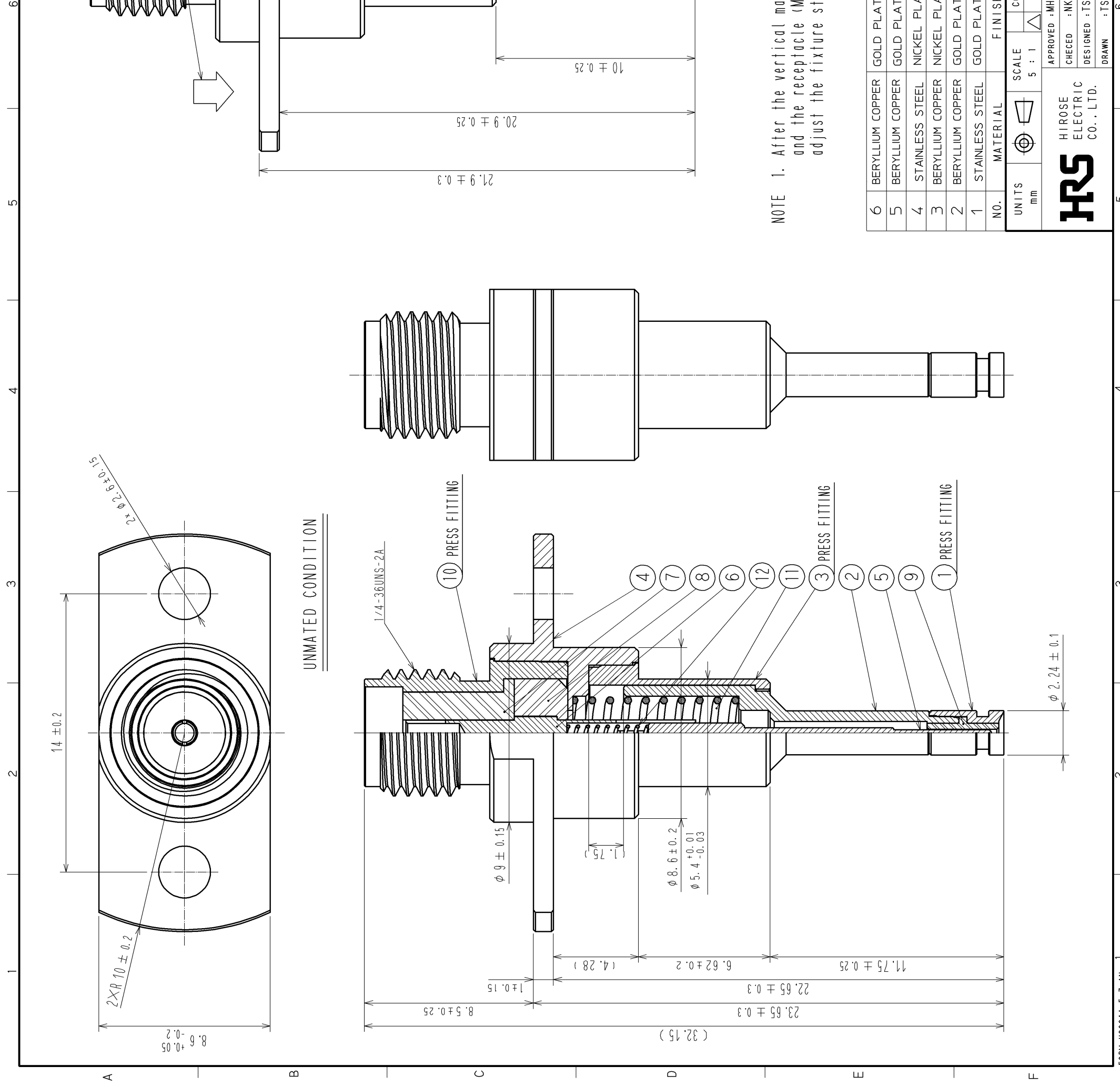




**THE DATASHEET OF  
MS-180-HRMJ-3**



APPLICABLE STANDARD								
RATING	OPERATING TEMPERATURE RANGE	-40°C TO +85°C		STORAGE TEMPERATURE RANGE	-30°C TO +70°C			
	POWER	2 W		CHARACTERISTIC IMPEDANCE	50 Ω			
	FREQUENCY RANGE	0.045 TO 8 GHz		OPERATING HUMIDITY RANGE	TO 90%			
	PECULIARITY	—		APPLICABLE CABLE	—			
SPECIFICATIONS								
ITEM	TEST METHOD			REQUIREMENTS			QT	AT
<b>CONSTRUCTION</b>								
GENERAL EXAMINATION	VISUALLY AND BY MEASURING INSTRUMENT.			ACCORDING TO DRAWING.			x	x
<b>ELECTRIC CHARACTERISTICS</b>								
CONTACT RESISTANCE ※1	100 mA MAX (DC OR 1000 Hz).			CENTER CONTACT	100 mΩ MAX.		x	x
				OUTER CONTACT	100 mΩ MAX.			
INSULATION RESISTANCE	100 V DC.			1000 MΩ MIN.			x	—
VOLTAGE PROOF	100 V AC FOR 1 min.			NO FLASHOVER OR BREAKDOWN.			x	x
V.S.W.R. ※1	FREQUENCY	DC TO	3.0 GHz	1.3 MAX		x	—	
	FREQUENCY	3.0 TO	8.0 GHz	1.4 MAX				
INSERTION LOSS ※1	FREQUENCY	DC TO	3.0 GHz	0.4 dB MAX.		x	—	
	FREQUENCY	3.0 TO	6.0 GHz	0.6 dB MAX.				
	FREQUENCY	6.0 TO	8.0 GHz	0.8 dB MAX.				
ISOLATION	FREQUENCY	TO	GHz	dB MIN.		—	—	
<b>MECHANICAL CHARACTERISTICS</b>								
MECHANICAL OPERATION	10000 TIMES INSERTIONS AND EXTRACTIONS.			1) ACORDING TO THE V.S.W.R. AND THE INSERTION LOSS SPEC. ABOVE. 2) NO DAMAGE, CRACK AND LOOSENESS OF PARTS.			x	—
VIBRATION	FREQUENCY 10 TO 55 Hz SINGLE AMPLITUDE 0.75 mm OR 98 m/s <sup>2</sup> 1 octave/min , 10 CYCLES FOR EACH 3 DIRECTIONS.			1) CONTACT RESISTANCE ※1 CENTER :100mΩ MAX. OUTER :100mΩ MAX.			x	—
SHOCK	ACCELERATION : 490 m/s <sup>2</sup> DURATION : 11 ms , HALF SINE WAVE 3 BOTH AXIAL DIRECTIONS, 3 TIMES EACH			2) ACCORDING TO THE VOLTAGE PROOF SPEC. ABOVE. 3) NO DAMAGE, CRACK AND LOOSENESS OF PARTS.			x	—
<div style="border: 1px solid black; padding: 5px; display: inline-block;">RoHS COMPLIANT</div>								
	COUNT	DESCRIPTION OF REVISIONS		DESIGNED		CHECKED		DATE
Q								
REMARK				APPROVED	MH. YAMANE		11. 12. 08	
※1. This specification includes MS-180				CHECKED	NK. NINOMIYA		11. 12. 08	
Unless otherwise specified, refer to IEC-60512.				DESIGNED	TS. NAKAGAWA		11. 12. 06	
				DRAWN	TS. NAKAGAWA		11. 12. 06	
Note QT:Qualification Test AT:Assurance Test x:Applicable Test				DRAWING NO.		ELC4-342466-00		
<b>SPECIFICATION SHEET</b>				PART NO.	MS-180-HRMJ-3			
<b>HIROSE ELECTRIC CO., LTD.</b>				CODE NO.	CL358-0318-1-00		△	1/1



UNMATED CONDITION

NOTE 1. After the vertical mati and the receptacle (MS- adjust the fixture stop

6	BERYLLIUM COPPER	GOLD PLATING
5	BERYLLIUM COPPER	GOLD PLATING
4	STAINLESS STEEL	NICKEL PLATING
3	BERYLLIUM COPPER	NICKEL PLATING
2	BERYLLIUM COPPER	GOLD PLATING
1	STAINLESS STEEL	GOLD PLATING

NO.	MATERIAL	FINISH
UNITS mm		
SCALE 5 : 1		
COUN		
APPROVED : MH. YA		
CHECKED : NK. NT		
DESIGNED : TS. NA		
DRAWN : TS. NA		

**HRS**

HIROSE  
ELECTRIC  
CO., LTD.

## Looking for pricing, stock, or lifecycle information?

Click below to explore more details on WIN SOURCE:

- ⊖ [View MS-180-HRMJ-3 on WIN SOURCE](#)
- ⊖ [Hirose Electric Co Ltd Information](#)

## Optimize Your Supply Chain with WIN SOURCE Solutions

- ✓ Global Sourcing Solution
- ✓ Obsolete Management
- ✓ Cost Control Management
- ✓ Shortage Management
- ✓ Alternative Solution
- ✓ Excess Inventory Management