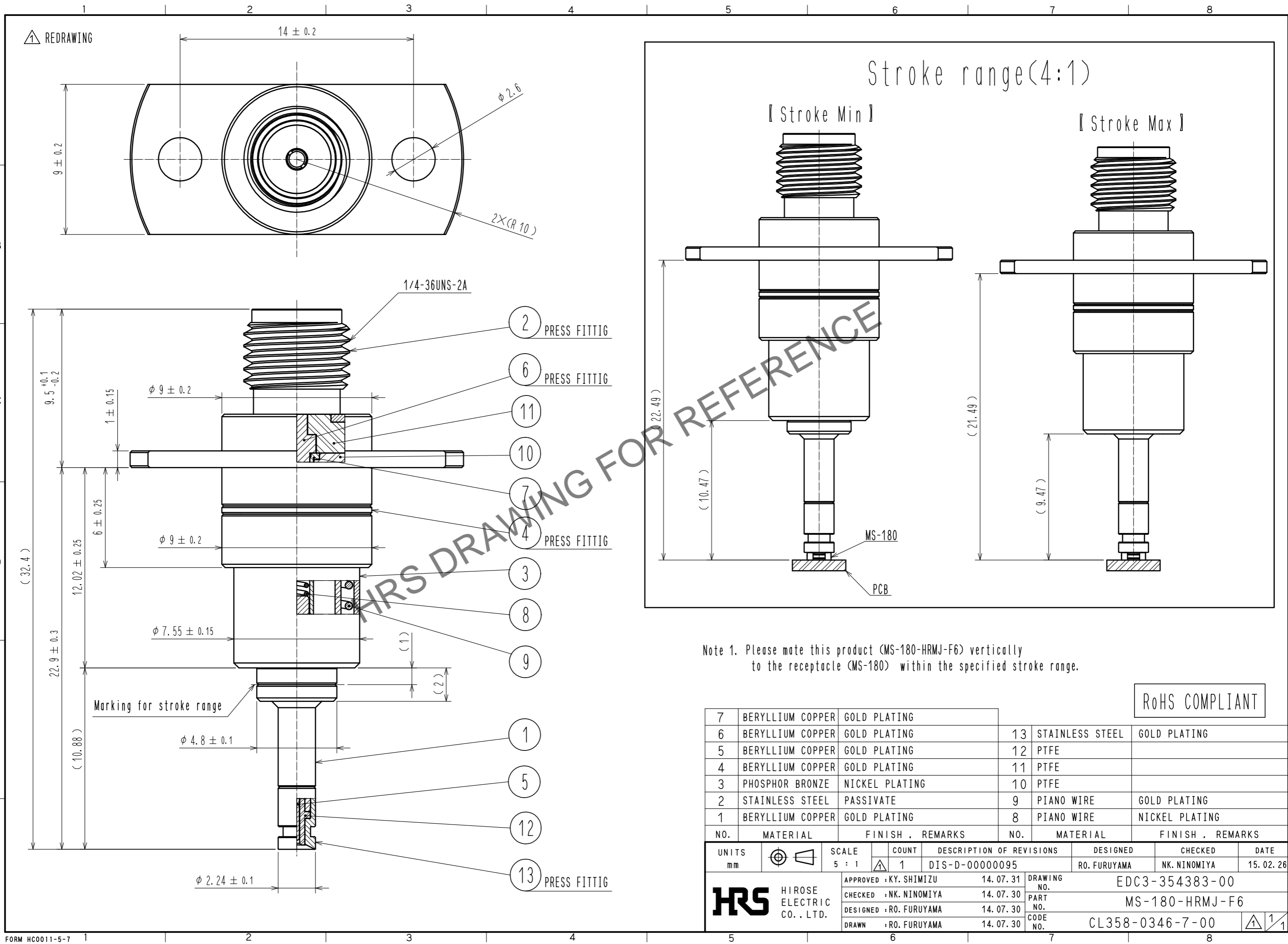




**THE DATASHEET OF
MS-180-HRMJ-F6**



Jul.1.2024 Copyright 2024 HIROSE ELECTRIC CO., LTD. All Rights Reserved.
 In case of consideration for using Automotive equipment / device which demand high reliability, kindly contact our sales window correspondents.



Note 1. Please mate this product (MS-180-HRMJ-F6) vertically to the receptacle (MS-180) within the specified stroke range.

RoHS COMPLIANT

NO.	MATERIAL	FINISH . REMARKS	NO.	MATERIAL	FINISH . REMARKS
7	BERYLLIUM COPPER	GOLD PLATING	13	STAINLESS STEEL	GOLD PLATING
6	BERYLLIUM COPPER	GOLD PLATING	12	PTFE	
5	BERYLLIUM COPPER	GOLD PLATING	11	PTFE	
4	BERYLLIUM COPPER	GOLD PLATING	10	PTFE	
3	PHOSPHOR BRONZE	NICKEL PLATING	9	PIANO WIRE	GOLD PLATING
2	STAINLESS STEEL	PASSIVATE	8	PIANO WIRE	NICKEL PLATING
1	BERYLLIUM COPPER	GOLD PLATING			

UNITS mm		SCALE 5 : 1	COUNT 1	DESCRIPTION OF REVISIONS DIS-D-0000095	DESIGNED RO. FURUYAMA	CHECKED NK. NINOMIYA	DATE 15. 02. 26
HRS HIROSE ELECTRIC CO., LTD.		APPROVED : KY. SHIMIZU	14. 07. 31	DRAWING NO. EDC3-354383-00			
		CHECKED : NK. NINOMIYA	14. 07. 30	PART NO. MS-180-HRMJ-F6			
		DESIGNED : RO. FURUYAMA	14. 07. 30	CODE NO. CL358-0346-7-00			
		DRAWN : RO. FURUYAMA	14. 07. 30			1/1	

Looking for pricing, stock, or lifecycle information?

Click below to explore more details on WIN SOURCE:

- ⊖ [View MS-180-HRMJ-F6 on WIN SOURCE](#)
- ⊖ [Hirose Electric Co Ltd Information](#)

Optimize Your Supply Chain with WIN SOURCE Solutions

- ✓ Global Sourcing Solution
- ✓ Obsolete Management
- ✓ Cost Control Management
- ✓ Shortage Management
- ✓ Alternative Solution
- ✓ Excess Inventory Management