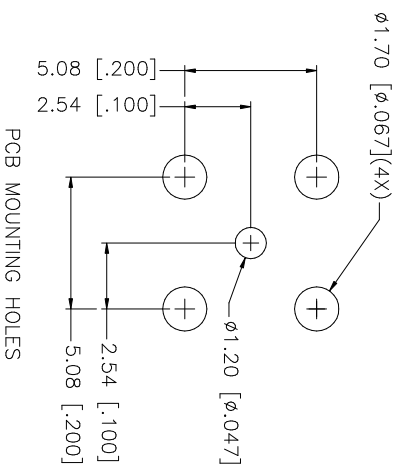
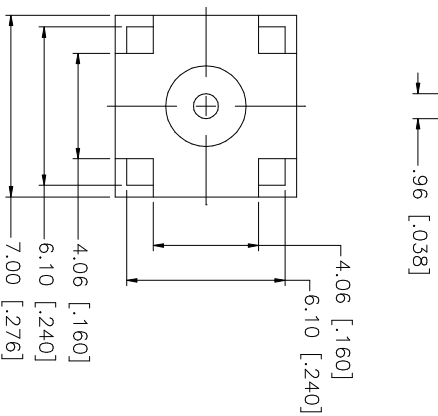
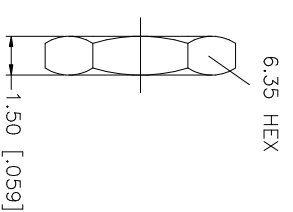
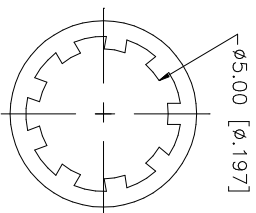
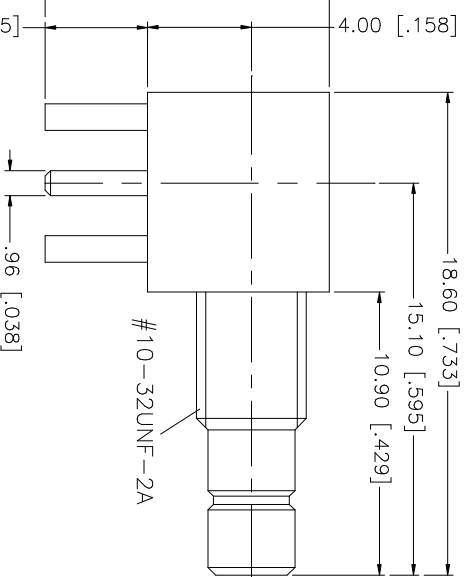




**THE DATASHEET OF**  
**142184**



REV.	DATE	DESCRIPTION
NC	06/06/99	INITIAL RELEASE
A	07/20/05	UPDATE DRAWING FORMAT




UNLESS OTHERWISE SPECIFIED, DIMENSIONS ARE IN INCHES AND FOR CUSTOMER REFERENCE ONLY.		UNLESS OTHERWISE SPECIFIED, DIMENSIONS ARE IN MILLIMETERS AND FOR CUSTOMER REFERENCE ONLY.	
UNLESS OTHERWISE SPECIFIED, DIMENSIONS ARE IN INCHES AND FOR CUSTOMER REFERENCE ONLY.		UNLESS OTHERWISE SPECIFIED, DIMENSIONS ARE IN MILLIMETERS AND FOR CUSTOMER REFERENCE ONLY.	
TOLERANCES FOR MILLIMETERS ARE:		TOLERANCES FOR MILLIMETERS ARE:	
0.5 - 8mm ± 0.20mm		0.5 - 8mm ± 0.20mm	
8 - 30mm ± 0.40mm		8 - 30mm ± 0.40mm	
30 - 120mm ± 0.50mm		30 - 120mm ± 0.50mm	
UNLESS OTHERWISE SPECIFIED, TOLERANCES FOR INCHES ARE:		UNLESS OTHERWISE SPECIFIED, TOLERANCES FOR INCHES ARE:	
.020 - .315 = ± 0.007"		.020 - .315 = ± 0.007"	
.315 - 1.180 = ± 0.015"		.315 - 1.180 = ± 0.015"	
1.180 - 4.724 = ± 0.020"		1.180 - 4.724 = ± 0.020"	
MATERIAL	FINISH	QTY	DO NOT SCALE DRAWING
BRASS	NICKEL	1	
BRASS	NICKEL	1	
BRASS	GOLD	1	
EFFLON	NATURAL	1	
BRASS	GOLD	1	
APPROVALS		DATE	
DRAWN G.R.S.		07//20/05	
CHECKED			
ISSUED			
SHEET 1 OF 1			
CAD FILE C:/142/142184.DWG			
PART DESCRIPTION			
SMB R/A P.C. MOUNT BULKHEAD JACK			
PART NO. 142184			
DWG. NO.	REV.	SIZE	SCALE
142184.DWG	A	A	NA

**Amphenol Connex**

## Looking for pricing, stock, or lifecycle information?

Click below to explore more details on WIN SOURCE:

-  [View 142184 on WIN SOURCE](#)
-  [Amphenol-RF Division Information](#)

## Optimize Your Supply Chain with WIN SOURCE Solutions

-  Global Sourcing Solution
-  Obsolete Management
-  Cost Control Management
-  Shortage Management
-  Alternative Solution
-  Excess Inventory Management