



**THE DATASHEET OF
1802**



“Stay Connected” with



Strain Relief Bushings

a PennEngineering® Company



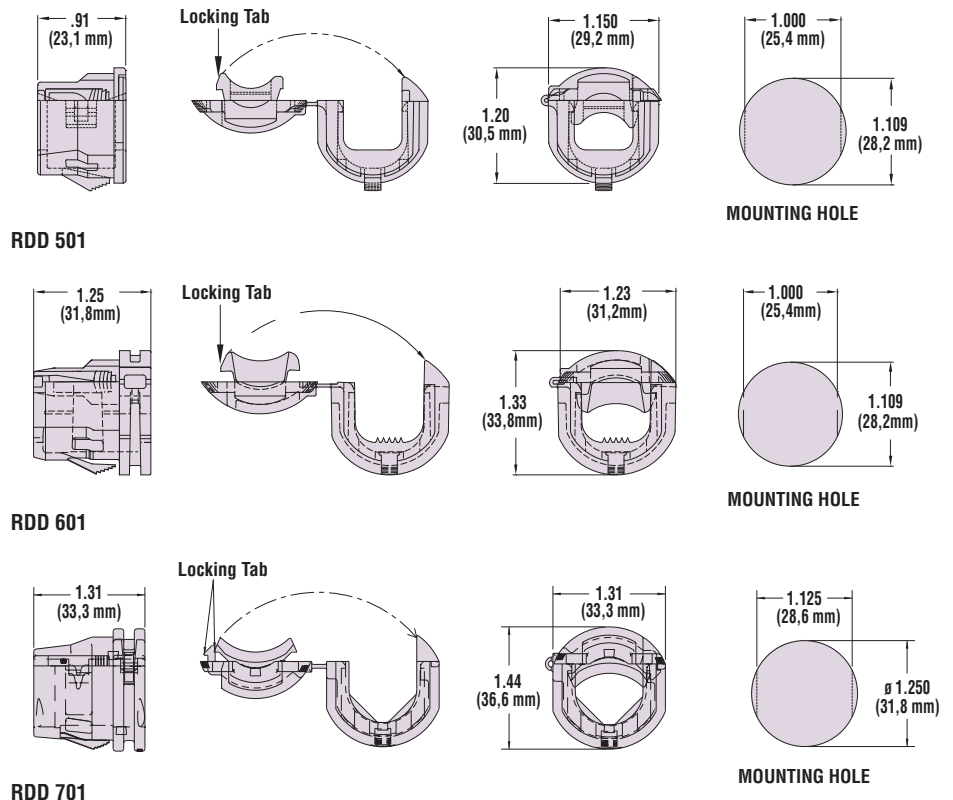
Heyco® RDD Lockit™ Strain Relief Bushings – Straight-Thru

Snap onto **Round Cables** for Faster Assembly into **Double D Mounting Holes** – *Semi-Automatic Equipment Available*
Fit 3/4" Electrical Knock-out Hole

- **Assembly friendly!** Independent of insertion into the panel, RDD Lockit™ Strain Reliefs **self-lock** onto the cable. Preassemble RDD Lockits off line for final assembly at a later time or remote location, for lower installed cost!
- Install easily with fingertip pressure into a standard round or Double D hole. No tools required, even for hand assembly.
- Protect the lifeline of your electric/electronic products by absorbing the forces of push and pull that may be exerted on the flexible power cord. Double D design eliminates the possibility of part rotation under forces of twist.
- Multiple panel locking steps secure Lockit Strain Reliefs into a wide range of panel thicknesses for a **flush, finished fit**.
- Heyco's automated Pre-Assembly Equipment speeds assembly of the RDD onto the cable and thus lowers costs while greatly reducing risk of carpal tunnel syndrome. See pages 4-15 & 4-16.
- Consult Heyco for other wire types and sizes.
- See page 4-38 for corresponding **Mounting Hole Plugs** which can be used to fill blank/unused Mounting Holes and thus allow for a single panel design for multiple applications.
- For Double D Mounting Hole Punches, see page 4-30.

WILL FIT THESE CABLES				PANEL DIMENSIONS				RDD LOCKIT STRAIN RELIEF for Faster Assembly			Corresponding Mounting Hole Plug	
UL Type	AWG/Conductors	Approximate Size		Mounting Hole Size		Thickness		PART NO. Black	PART NO. White	DESC.	PART NO.	DESC.
		in.	mm.	in.	mm.	in.	mm.					
See table on page 4-10	various	.525-.600	13.5-15.2	1.109 w/ 1.000 flats	28.2 w/ 25.4 flats	.063	1.6	1868	1869	RDD 501	2717	DD 1109-1000
						.099	2.5					
						.126	3.2					
						.157	4.0					
						.187	4.8					
See table on page 4-10	various	.600-.700	15.2-17.8	1.109 w/ 1.000 flats	28.2 w/ 25.4 flats	.063	1.6	1802	1803	RDD 601		
						.099	2.5					
						.126	3.2					
						.157	4.0					
						.187	4.8					
See table on page 4-10	various	.720-.830	18.3-21.1	1.250 w/ 1.125 flats	31.8 w/ 28.6 flats	.063	1.6	1880	1881	RDD 701	-	consult Heyco
						.099	2.5					
						.126	3.2					
						.157	4.0					
						.187	4.8					

Standard color black. Consult Heyco for white and other colors.





Quick Specs

Material	Nylon 6/6
Certifications	Recognized under UL File E15331 Certified by the Canadian Standards Association File 8919
Flammability Rating	94V-2
Temperature Range	-.04°F (-18°C) to 221°F (105°C)

Looking for pricing, stock, or lifecycle information?

Click below to explore more details on WIN SOURCE:

-  [View 1802 on WIN SOURCE](#)
-  [Heyco Products Corporation](#) Information

Optimize Your Supply Chain with WIN SOURCE Solutions

-  Global Sourcing Solution
-  Obsolete Management
-  Cost Control Management
-  Shortage Management
-  Alternative Solution
-  Excess Inventory Management