



**THE DATASHEET OF  
ADAQ4003BBCZ-RL13**





## TABLE OF CONTENTS

Features.....	1	Ease of Drive Features.....	24
Applications.....	1	Voltage Reference Input .....	25
Functional Block Diagram.....	1	Power Supply (Power Tree).....	25
General Description.....	1	Power-Down Mode.....	25
Specifications.....	3	Digital Interface.....	25
Timing Specifications.....	6	Register Read and Write Functionality.....	26
Absolute Maximum Ratings.....	9	Status Word.....	28
Thermal Resistance.....	9	$\overline{\text{CS}}$ Mode, 3-Wire Turbo Mode.....	29
Electrostatic Discharge (ESD) Ratings.....	9	$\overline{\text{CS}}$ Mode, 3-Wire Without Busy Indicator.....	30
ESD Caution.....	9	$\overline{\text{CS}}$ Mode, 3-Wire with Busy Indicator.....	31
Pin Configuration and Function Descriptions.....	10	$\overline{\text{CS}}$ Mode, 4-Wire Turbo Mode.....	32
Typical Performance Characteristics.....	12	$\overline{\text{CS}}$ Mode, 4-Wire Without Busy Indicator.....	33
Terminology.....	18	$\overline{\text{CS}}$ Mode, 4-Wire with Busy Indicator.....	34
Theory of Operation.....	20	Daisy-Chain Mode .....	35
Circuit Information .....	20	Layout Guidelines.....	36
Transfer Functions.....	20	Outline Dimensions.....	37
Applications Information.....	21	Ordering Guide.....	37
Typical Application Diagrams.....	21	Evaluation Boards.....	37
Analog Inputs.....	24		

## REVISION HISTORY

### 2/2022—Rev. 0 to Rev. A

Changes to Features Section.....	1
Change to Figure 1.....	1
Changes to Table 2.....	3
Deleted Note 1 and Note 2, Table 6; Renumbered Sequentially.....	9
Changes to Thermal Resistance Section and Table 7.....	9
Changes to Figure 5, and Figure 8 to Figure 10.....	12
Changes to Figure 28.....	15
Changes to Figure 30.....	16
Changes to Figure 38.....	17
Added Figure 39; Renumbered Sequentially.....	17
Changes to Offset Error Section and Gain Error Section.....	18
Added Offset Error Drift Section.....	18
Added Gain Error Drift Section.....	18
Changes to Common-Mode Rejection Ratio (CMRR) Section.....	19
Changes to Power Supply Rejection Ratio (PSRR) Section.....	19
Changes to Typical Application Diagrams Section, Figure 41, and Figure 42.....	21
Added Table 11; Renumbered Sequentially.....	21
Changes to Figure 43 to Figure 46.....	22
Changes to Figure 47 and Figure 48.....	23
Change to Figure 51.....	25
Added Power-Down Mode Section.....	25

### 9/2020—Revision 0: Initial Version

## SPECIFICATIONS

VDD = 1.8 V ± 5%, VS+ = 5.5 V ± 5%, VS- = 0 V, VIO = 1.7 V to 5.5 V, reference voltage ( $V_{REF}$ ) = 5 V, sampling frequency ( $f_S$ ) = 2 MSPS, all specifications  $T_{MIN}$  to  $T_{MAX}$ , high-Z mode disabled, span compression disabled, and turbo mode enabled, unless otherwise noted. ADC driver configured in single-ended to differential configuration and fast mode, unless otherwise noted.

Table 2.

Parameter	Test Conditions/Comments	Min	Typ	Max	Unit
RESOLUTION		18			Bit
ANALOG INPUTS	IN+, IN-, R1K1+, R1K1-, R1K+, and R1K-				
Input Impedance ( $Z_{IN}$ )	Single-ended to differential configuration G = 0.454, input voltage ( $V_{IN}$ ) = 22 V p-p G = 0.909, $V_{IN}$ = 11 V p-p G = 1, $V_{IN}$ = 10 V p-p G = 1.9, $V_{IN}$ = 5.2 V p-p		1.3 1.44 1.33 778		k $\Omega$ k $\Omega$ k $\Omega$ $\Omega$
Differential Input Voltage Ranges <sup>1</sup>	Fully differential configuration G = 0.454 and G = 0.909, $V_{IN}$ = 22 V p-p and 11 V p-p G = 1, $V_{IN}$ = 10 V p-p G = 1.9, $V_{IN}$ = 5.2 V p-p		1.1 1 523		k $\Omega$ k $\Omega$ $\Omega$
	G = 0.454, $V_{IN}$ = 22 V p-p	$-2.2 \times V_{REF}$		$+2.2 \times V_{REF}$	V
	G = 0.909, $V_{IN}$ = 11 V p-p	$-1.1 \times V_{REF}$		$+1.1 \times V_{REF}$	V
	G = 1, $V_{IN}$ = 10 V p-p	$-V_{REF}$		$+V_{REF}$	V
	G = 1.9, $V_{IN}$ = 5.2 V p-p	$-0.526 \times V_{REF}$		$+0.526 \times V_{REF}$	V
Input Capacitance	IN+ and IN-		15		pF
THROUGHPUT					
Complete Cycle		500			ns
Conversion Time			290	320	ns
Acquisition Phase <sup>2</sup>		290			ns
Throughput Rate <sup>3</sup>		0		2	MSPS
Transient Response <sup>4</sup>			40		$\mu$ s
DC ACCURACY	Single-ended to differential configuration				
No Missing Codes		18			Bits
Integral Linearity Error (INL)	All gains, VS- = -1 V	-8	±3	+8	ppm
		-2.1	±0.8	+2.1	LSB <sup>5</sup>
Differential Linearity Error (DNL)	All gains, VS- = -1 V	-1	±0.4	+1	LSB <sup>5</sup>
		-3.8	±2.66	+3.8	ppm
Transition Noise	G = 0.454		0.93		LSB
	G = 0.909 and G = 1		1.24		LSB
	G = 1.9		1.10		LSB
Gain Error	All gains	-0.05	±0.005	+0.05	%FS
Gain Error Drift	All gains	-3	±0.5	+3	ppm/°C
Offset Error	G = 0.454	-1	±0.1	+1	mV
	G = 0.909, G = 1	-0.9	±0.06	+0.9	mV
	G = 1.9	-1.5	±0.01	+1.5	mV
Offset Error Drift	G = 0.454	-8	+0.7	+8	ppm/°C
	G = 0.909 and G = 1	-10	+1.6	+10	ppm/°C
	G = 1.9	-15	+2.6	+15	ppm/°C
Common-Mode Rejection Ratio (CMRR)	Fully differential configuration, all gains		90		dB
Power Supply Rejection Ratio (PSRR)					
Positive	VDD = 1.71 V to 1.89 V		72		dB
	VS+ = 5.225 V to 5.775 V, VS- = 0 V		110		dB
Negative	VS+ = +5.5 V, VS- = 0 V to -0.5 V		107		dB

## SPECIFICATIONS

Table 2.

Parameter	Test Conditions/Comments	Min	Typ	Max	Unit
1/f Noise <sup>6</sup>	Referred to input, bandwidth = 0.1 Hz to 10 Hz, normalized to 0 V, all gains		2		$\mu\text{V p-p}$
Input Current Noise	Input frequency ( $f_{\text{IN}}$ ) = 100 kHz		1		$\text{pA}/\sqrt{\text{Hz}}$
AC ACCURACY	Single-ended to differential and fully differential configuration				
Dynamic Range	All gains, -60 dBFS	94.5			dB
	G = 0.454		100		dB
	G = 0.909 and G = 1		97.5		dB
	G = 1.9		98.5		dB
Oversampled Dynamic Range	Oversampling ratio (OSR) = 2, all gains		103		dB
	OSR = 256, all gains		122		dB
Total RMS Noise (Referred to Output (RTO))	G = 0.454		35.4		$\mu\text{V rms}$
	G = 0.909 and G = 1		47.1		$\mu\text{V rms}$
	G = 1.9		42		$\mu\text{V rms}$
Noise Spectral Density <sup>7</sup>	G = 0.454		13.4		$\text{nV}/\sqrt{\text{Hz}}$
	G = 0.909 and G = 1		17.9		$\text{nV}/\sqrt{\text{Hz}}$
	G = 1.9		16		$\text{nV}/\sqrt{\text{Hz}}$
Signal-to-Noise Ratio (SNR)	$f_{\text{IN}} = 1 \text{ kHz}$ , -0.5 dBFS	94.2			dB
	G = 0.454		99.5		dB
	G = 0.909 and G = 1		97		dB
	G = 1.9		98		dB
	$f_{\text{IN}} = 100 \text{ kHz}$ , G = 0.909		95.3		dB
	$f_{\text{IN}} = 400 \text{ kHz}$ , G = 0.909		88.3		dB
	Low power mode enabled, G = 0.909		96		dB
	$\text{VS}+ = 3.3 \text{ V}$ , $\text{VS}- = 0 \text{ V}$ , $\text{V}_{\text{REF}} = 2.5 \text{ V}$ , G = 0.909		92		dB
Signal-to-Noise + Distortion (SINAD)	$f_{\text{IN}} = 1 \text{ kHz}$ , -0.5 dBFS	94			dB
	G = 0.454		99		dB
	G = 0.909 and G = 1		96.5		dB
	G = 1.9		97.5		dB
	$f_{\text{IN}} = 100 \text{ kHz}$ , G = 0.909		94.9		dB
	$f_{\text{IN}} = 400 \text{ kHz}$ , G = 0.909		85.7		dB
	Low power mode enabled, G = 0.909		95.5		dB
	$\text{VS}+ = 3.3 \text{ V}$ , $\text{VS}- = 0 \text{ V}$ , $\text{V}_{\text{REF}} = 2.5 \text{ V}$ , G = 0.909		91.5		dB
Total Harmonic Distortion (THD)	$f_{\text{IN}} = 1 \text{ kHz}$ , -0.5 dBFS, all gains		-120		dB
	$f_{\text{IN}} = 100 \text{ kHz}$ , G = 0.909		-100		dB
	$f_{\text{IN}} = 400 \text{ kHz}$ , G = 0.909		-95		dB
	Low power mode enabled, G = 0.909		-110		dB
	$\text{VS}+ = 3.3 \text{ V}$ , $\text{VS}- = 0 \text{ V}$ , $\text{V}_{\text{REF}} = 2.5 \text{ V}$ , G = 0.909		-118		dB
Spurious-Free Dynamic Range (SFDR)	$f_{\text{IN}} = 1 \text{ kHz}$ , -0.5 dBFS, all gains		122		dB
	$f_{\text{IN}} = 100 \text{ kHz}$ , G = 0.909		101		dB
	$f_{\text{IN}} = 400 \text{ kHz}$ , G = 0.909		95		dB
	Low power mode enabled, G = 0.909		110		dB
	$\text{VS}+ = 3.3 \text{ V}$ , $\text{VS}- = 0 \text{ V}$ , $\text{V}_{\text{REF}} = 2.5 \text{ V}$ , G = 0.909		118		dB
-3 dB Input Bandwidth			4.4		MHz
Aperture Delay			1		ns
Aperture Jitter			1		ps rms
REFERENCE					
$\text{V}_{\text{REF}}$ Range	Buffer enabled	2.4		5.1 or $\text{VS}+ - 0.08$	V
Input Current ( $\text{I}_{\text{REF}}$ )	Buffer enabled		60		$\mu\text{A}$

## SPECIFICATIONS

Table 2.

Parameter	Test Conditions/Comments	Min	Typ	Max	Unit
REF_OUT Current ( $I_{REF\_OUT}$ )	Buffer disabled, 2 MSPS, $V_{REF} = 5\text{ V}$		1.27		mA
VCMO					
VCMO Voltage ( $V_{VCMO}$ ) <sup>8</sup>		$V_{REF}/2 - 0.003$	$V_{REF}/2$	$V_{REF}/2 + 0.003$	V
Output Impedance			5		k $\Omega$
DIGITAL INPUTS	SDI, SCK, and CNV				
Logic Levels					
Input Low Voltage ( $V_{IL}$ )	$V_{IO} > 2.7\text{ V}$	-0.3		$+0.3 \times V_{IO}$	V
	$V_{IO} \leq 2.7\text{ V}$	-0.3		$+0.2 \times V_{IO}$	V
Input High Voltage ( $V_{IH}$ )	$V_{IO} > 2.7\text{ V}$	$0.7 \times V_{IO}$		$V_{IO} + 0.3$	V
	$V_{IO} \leq 2.7\text{ V}$	$0.8 \times V_{IO}$		$V_{IO} + 0.3$	V
Input Low Current ( $I_{IL}$ )		-1		+1	$\mu\text{A}$
Input High Current ( $I_{IH}$ )		-1		+1	$\mu\text{A}$
Input Pin Capacitance			6		pF
DIGITAL OUTPUTS <sup>9</sup>					
Data Format			Twos complement		
Output Low Voltage ( $V_{OL}$ )	Sink current ( $I_{SINK}$ ) = +500 $\mu\text{A}$			0.4	V
Output High Voltage ( $V_{OH}$ )	Source current ( $I_{SOURCE}$ ) = -500 $\mu\text{A}$	$V_{IO} - 0.3$			V
POWER-DOWN AND MODE SIGNALING					
FDA and Reference Buffer					
PD_AMP, PD_REF, and MODE Voltage					
Low	Powered down, low power mode		<1		V
High	Enabled, normal mode		>1.7		V
Turn-On Time	All devices enabled				
	Low to high <sup>10</sup>		120		$\mu\text{s}$
	High <sup>11</sup>		1		$\mu\text{s}$
POWER REQUIREMENTS					
VDD		1.71	1.8	1.89	V
VS+		3	5.5	$VS- + 10$	V
VS-		$VS+ - 10$	0	0.1	V
VIO		1.7		5.5	V
Total Standby Current <sup>12, 13</sup>	Static, all devices enabled		11	14	mA
Power-Down Current	ADC driver, reference buffer disabled		100	250	nA
Power Dissipation	$VDD = V_{IO} = 1.8\text{ V}$ , $VS+ = 5.5\text{ V}$ , $VS- = 0\text{ V}$				
VS+			41.5	51.5	mW
VDD			9.5	12	mW
VIO			0.6	0.7	mW
Total			51.6	64.2	mW
	$VDD = V_{IO} = 1.8\text{ V}$ , $VS+ = 5\text{ V}$ , $VS- = 0\text{ V}$ , high-Z mode enabled				
VS+			44	53	mW
VDD			12.8	16.5	mW
VIO			0.6	0.7	mW
Total			57.4	70.2	mW
TEMPERATURE RANGE					
Specified Performance	$T_{MIN}$ to $T_{MAX}$	-40		+125	$^{\circ}\text{C}$

<sup>1</sup>  $V_{IN}$  must be within the allowed input common-mode range as per Figure 35, Figure 36, and Figure 37 and is dependent on the VS+ and VS- supply rails used.

<sup>2</sup> The acquisition phase is the time available for the input sampling capacitors to acquire a new input with the ADC running at a throughput rate of 2 MSPS.

## SPECIFICATIONS

Table 2.

Parameter	Test Conditions/Comments	Min	Typ	Max	Unit
<sup>3</sup>	A throughput rate of 2 MSPS can only be achieved with turbo mode enabled and a minimum SCK rate of 75 MHz. Refer to Table 5 for the maximum achievable throughput for different modes of operation.				
<sup>4</sup>	Transient response is the time required for the ADAQ4003 to acquire a full-scale input step to $\pm 1$ LSB accuracy.				
<sup>5</sup>	The weight of the LSB, referred to input, changes depending on the input voltage range. See Table 10 for the LSB size.				
<sup>6</sup>	See the $1/f$ noise plot in Figure 28.				
<sup>7</sup>	Noise Spectral Density for each gain can be calculated using the equation: Total RMS Noise (RTO) $\sqrt{(\pi/2 \times \text{bandwidth})}$ , where bandwidth is the $-3$ dB Input Bandwidth equal to 4.4 MHz.				
<sup>8</sup>	The VCMO voltage can be used for other circuitry, but it should be driven with a buffer to ensure the VCMO voltage remains stable as per the specified range.				
<sup>9</sup>	There is no pipeline delay. Conversion results are available immediately after a conversion is completed.				
<sup>10</sup>	The time it takes for a reference buffer to charge a 10 $\mu$ F reference capacitor to 90% of the reference voltage.				
<sup>11</sup>	The time it takes for the FDA to charge the 1 nF filter capacitor to 90% of the final value.				
<sup>12</sup>	With all digital inputs forced to VIO or GND as required.				
<sup>13</sup>	The total standby current during the acquisition phase.				

## TIMING SPECIFICATIONS

VDD = 1.8 V  $\pm$  5%, VS+ = 5.5 V  $\pm$  5%, VS- = 0 V, VIO = 1.71 V to 5.5V, VREF = 5 V, fS = 2 MSPS, all specifications TMIN to TMAX, high-Z mode disabled, span compression disabled, and turbo mode enabled, unless otherwise noted.

Table 3. Digital Interface Timing

Parameter	Symbol	Min	Typ	Max	Unit
Conversion Time—CNV Rising Edge to Data Available	tCONV		290	320	ns
Acquisition Phase <sup>1</sup>	tACQ	290			ns
Time Between Conversions	tCYC	500			ns
CNV Pulse Width ( $\overline{\text{CS}}$ Mode) <sup>2</sup>	tCNVH	10			ns
SCK Period ( $\overline{\text{CS}}$ Mode) <sup>3</sup>	tSCK				
VIO > 2.7 V		9.8			ns
VIO > 1.7 V		12.3			ns
SCK Period (Daisy-Chain Mode) <sup>4</sup>	tSCK				
VIO > 2.7 V		20			ns
VIO > 1.7 V		25			ns
SCK Low Time	tSCKL	3			ns
SCK High Time	tSCKH	3			ns
SCK Falling Edge to Data Remains Valid Delay	tHSDO	1.5			ns
SCK Falling Edge to Data Valid Delay	tDSDO				
VIO > 2.7 V				7.5	ns
VIO > 1.7 V				10.5	ns
CNV or SDI Low to SDO D17 MSB Valid Delay ( $\overline{\text{CS}}$ Mode)	tEN				
VIO > 2.7 V				10	ns
VIO > 1.7 V				13	ns
CNV Rising Edge to First SCK Rising Edge Delay	tQUIET1	190			ns
Last SCK Falling Edge to CNV Rising Edge Delay	tQUIET2	60			ns
CNV or SDI High or Last SCK Falling Edge to SDO High Impedance ( $\overline{\text{CS}}$ Mode)	tDIS			20	ns
SDI Valid Setup Time from CNV Rising Edge	tSSDICNV	2			ns
SDI Valid Hold Time from CNV Rising Edge ( $\overline{\text{CS}}$ Mode)	tHSDICNV	2			ns
SCK Valid Hold Time from CNV Rising Edge (Daisy-Chain Mode)	tHSCKCNV	12			ns
SDI Valid Setup Time from SCK Rising Edge (Daisy-Chain Mode)	tSSDISCK	2			ns

## SPECIFICATIONS

Table 3. Digital Interface Timing

Parameter	Symbol	Min	Typ	Max	Unit
SDI Valid Hold Time from SCK Rising Edge (Daisy-Chain Mode)	$t_{\text{HSDISCK}}$	2			ns

<sup>1</sup> The acquisition phase is the time available for the input sampling capacitors to acquire a new input with the ADC running at a throughput rate of 2 MSPS.

<sup>2</sup> For turbo mode,  $t_{\text{CNVH}}$  must match the  $t_{\text{QUIET1}}$  minimum.

<sup>3</sup> A throughput rate of 2 MSPS can only be achieved with turbo mode enabled and a minimum SCK rate of 75 MHz.

<sup>4</sup> A 50% duty cycle is assumed for SCK.

Table 4. Register Read and Write Timing

Parameter	Symbol	Min	Typ	Max	Unit
READ AND WRITE OPERATION					
CNV Pulse Width <sup>1</sup>	$t_{\text{CNVH}}$	10			ns
SCK Period	$t_{\text{SCK}}$				
VIO > 2.7 V		9.8			ns
VIO > 1.7 V		12.3			ns
SCK Low Time	$t_{\text{SCKL}}$	3			ns
SCK High Time	$t_{\text{SCKH}}$	3			ns
READ OPERATION					
CNV Low to SDO D17 MSB Valid Delay	$t_{\text{EN}}$				
VIO > 2.7 V				10	ns
VIO > 1.7 V				13	ns
SCK Falling Edge to Data Remains Valid	$t_{\text{HSDO}}$	1.5			ns
SCK Falling Edge to Data Valid Delay	$t_{\text{DSDO}}$				
VIO > 2.7 V				7.5	ns
VIO > 1.7 V				10.5	ns
CNV Rising Edge to SDO High Impedance	$t_{\text{DIS}}$			20	ns
WRITE OPERATION					
SDI Valid Setup Time from SCK Rising Edge	$t_{\text{SSDISCK}}$	2			ns
SDI Valid Hold Time from SCK Rising Edge	$t_{\text{HSDISCK}}$	2			ns
CNV Rising Edge to SCK Edge Hold Time	$t_{\text{HCNVSK}}$	0			ns
CNV Falling Edge to SCK Active Edge Setup Time	$t_{\text{SCNVSK}}$	6			ns

<sup>1</sup> For turbo mode,  $t_{\text{CNVH}}$  must match the  $t_{\text{QUIET1}}$  minimum.

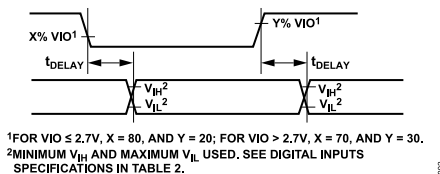


Figure 2. Voltage Levels for Timing

Table 5. Achievable Throughput for Different Modes of Operation

Parameter	Test Conditions/Comments	Min	Typ	Max	Unit
THROUGHPUT, $\overline{\text{CS}}$ MODE					
3-Wire and 4-Wire Turbo Mode	$f_{\text{SCK}} = 100 \text{ MHz}$ , VIO ≥ 2.7 V			2	MSPS
	$f_{\text{SCK}} = 80 \text{ MHz}$ , VIO < 2.7 V			2	MSPS
3-Wire and 4-Wire Turbo Mode and Six Status Bits	$f_{\text{SCK}} = 100 \text{ MHz}$ , VIO ≥ 2.7 V			2	MSPS
	$f_{\text{SCK}} = 80 \text{ MHz}$ , VIO < 2.7 V			1.78	MSPS
3-Wire and 4-Wire Mode	$f_{\text{SCK}} = 100 \text{ MHz}$ , VIO ≥ 2.7 V			1.75	MSPS

## SPECIFICATIONS

Table 5. Achievable Throughput for Different Modes of Operation

Parameter	Test Conditions/Comments	Min	Typ	Max	Unit
3-Wire and 4-Wire Mode and Six Status Bits	$f_{\text{SCK}} = 80 \text{ MHz}$ , $V_{\text{IO}} < 2.7 \text{ V}$			1.62	MSPS
	$f_{\text{SCK}} = 100 \text{ MHz}$ , $V_{\text{IO}} \geq 2.7 \text{ V}$			1.59	MSPS
	$f_{\text{SCK}} = 80 \text{ MHz}$ , $V_{\text{IO}} < 2.7 \text{ V}$			1.44	MSPS

## ABSOLUTE MAXIMUM RATINGS

Table 6.

Parameter	Rating
Analog Inputs	
R1K+, R1K-, R1K1+, R1K1- to GND	-16 V to +16 V or $\pm 18$ mA
Supply Voltage	
REF_OUT and VIO to GND	-0.3 V to +6.0 V
VDD to GND	-0.3 V to +2.1 V
VDD to VIO	-6 V to +2.4 V
VS+ to VS-	11 V
VS+ to GND	-0.3 V to +11 V
VS- to GND	-11 V to +0.3 V
Digital Inputs to GND	-0.3 V to VIO + 0.3 V
Digital Outputs to GND	-0.3 V to VIO + 0.3 V
Temperature	
Storage Range	-65°C to +150°C
Junction	150°C
Lead Soldering	260°C reflow as per JEDEC J-STD-020

Stresses at or above those listed under Absolute Maximum Ratings may cause permanent damage to the product. This is a stress rating only; functional operation of the product at these or any other conditions above those indicated in the operational section of this specification is not implied. Operation beyond the maximum operating conditions for extended periods may affect product reliability.

## THERMAL RESISTANCE

Thermal performance is directly linked to PCB design and operating environment. Careful attention to PCB thermal design is required.

Table 7. Thermal Resistance

Package Type <sup>1</sup>	$\theta_{JA}$	$\theta_{JC\_TOP}$	$\theta_{JC\_BOTTOM}$	$\theta_{JB}$	$\Psi_{JT}$	$\Psi_{JB}$	Unit
BC-49-5	53.5	54.9	58.7	28.8	15.6	28.6	°C/W

<sup>1</sup> Test Condition 1: thermal impedance simulated values are based upon use of a 2S2P JEDEC standard PCB configuration per JEDEC Standard JESD51-7.

## ELECTROSTATIC DISCHARGE (ESD) RATINGS

The following ESD information is provided for handling of ESD-sensitive devices in an ESD protected area only.

Human body model (HBM) per ANSI/ESDA/JEDDEC JS-001.

Field induced charged device model (FICDM) per ANSI/ ESDA/JEDEC JS-002.

## ESD Ratings for ADAQ4003

Table 8. ADAQ4003, 49-Ball CSP\_BGA

ESD Model	Withstand Threshold (V)	Class
HBM	4000	2
FICDM	1000	C4

## ESD CAUTION



**ESD (electrostatic discharge) sensitive device.** Charged devices and circuit boards can discharge without detection. Although this product features patented or proprietary protection circuitry, damage may occur on devices subjected to high energy ESD. Therefore, proper ESD precautions should be taken to avoid performance degradation or loss of functionality.

## PIN CONFIGURATION AND FUNCTION DESCRIPTIONS

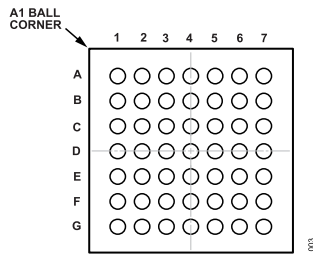


Figure 3. Ball Configuration, Top View

	1	2	3	4	5	6	7
A	GND	VDD	OUT+	VS-	REF_OUT	REF	GND
B	R1K-	R1K-	OUT+	VS-	GND	VIO	VIO
C	R1K1-	R1K1-	VS-	VS-	DNC	$\overline{\text{PD\_AMP}}$	SDI
D	IN-	IN+	DNC	DNC	DNC	$\overline{\text{PD\_REF}}$	SCK
E	R1K1+	R1K1+	MODE	VS+	ADCIN+	GND	SDO
F	R1K+	R1K+	OUT-	VS+	DNC	DNC	CNV
G	GND	VCMO	OUT-	VS+	VS+	ADCIN-	GND

Figure 4. Ball Configuration

Table 9. Ball Function Descriptions

Ball No.	Mnemonic	Type <sup>1</sup>	Description
A1, A7, B5, E6, G1, G7	GND	P	Power Supply Ground.
A2	VDD	P	1.8 V Power Supply. The VDD range is 1.71 V to 1.89 V.
A3, B3	OUT+	AO	Positive Output of the Fully Differential ADC Driver.
A4, B4, C3, C4	VS-	P	Negative Supply of the Fully Differential ADC Driver.
A5	REF_OUT	AO	Reference Buffer Output Voltage.
A6	REF	AI	Reference Buffer Input Voltage.
B1, B2	R1K-	AI	1 k $\Omega$ Resistor Input to Negative Input of the Fully Differential ADC Driver.
B6, B7	VIO	P	Input and Output Interface Digital Power. Nominally, the VIO pins are at the same supply as the host interface (1.8 V, 2.5 V, 3 V, or 5 V).
C1, C2	R1K1-	AI	1.1 k $\Omega$ Resistor Input to Negative Input of the Fully Differential ADC Driver.
C5, D3 to D5, F5, F6	DNC	N/A	Do Not Connect. Do not connect to this pin.
C6	$\overline{\text{PD\_AMP}}$	DI	Power-Down Amplifier. Active low. Connect the $\overline{\text{PD\_AMP}}$ pin to GND to power down the fully differential ADC driver. Otherwise, connect the $\overline{\text{PD\_AMP}}$ pin to logic high.
C7	SDI	DI	Serial Data Input. This input provides multiple features. SDI selects the interface mode of the ADC as follows:  Daisy-chain mode is selected if SDI is low during the CNV rising edge. In this mode, SDI is used as a data input to daisy-chain the conversion results of two or more ADCs onto a single SDO line. The digital data level on SDI is output on SDO with a delay of 18 SCK cycles.  $\overline{\text{CS}}$ mode is selected if SDI is high during the CNV rising edge. In this mode, either SDI or CNV can enable the serial output signals when low. If SDI or CNV is low when the conversion is complete, the busy indicator feature is enabled. With CNV low, the device can be programmed by clocking in a 16-bit word on SDI on the rising edge of SCK.
D1	IN-	AI	Negative Input of the Fully Differential ADC Driver.
D2	IN+	AI	Positive Input of the Fully Differential ADC Driver.
D6	$\overline{\text{PD\_REF}}$	DI	Power-Down Reference Buffer. Active low. Connect the $\overline{\text{PD\_REF}}$ pin to GND to power down the reference buffer. Otherwise, connect the $\overline{\text{PD\_REF}}$ pin to logic high.
D7	SCK	DI	Serial Data Clock Input. When the device is selected, the conversion result is shifted out by this clock.
E1, E2	R1K1+	AI	1.1 k $\Omega$ Resistor Input to Positive Input of the Fully Differential ADC Driver.
E3	MODE	DI	Power Mode for the Fully Differential ADC Driver. Full performance when the MODE pin is high, and low power mode when the MODE pin is low.
E4, F4, G4, G5	VS+	P	Fully Differential ADC Driver and Reference Buffer Positive Supply.
E5	ADCIN+	AO	Positive Input to the ADC. Extra capacitance can be added on the ADCIN+ pin to reduce the RC filter bandwidth.
E7	SDO	DO	Serial Data Output. The conversion result is output on the SDO pin. SDO synchronizes to SCK.
F1, F2	R1K+	AI	1 k $\Omega$ Resistor Input to Positive Input of the Fully Differential ADC Driver.
F3, G3	OUT-	AO	Negative Output of the Fully Differential ADC Driver.

## PIN CONFIGURATION AND FUNCTION DESCRIPTIONS

Table 9. Ball Function Descriptions

Ball No.	Mnemonic	Type <sup>1</sup>	Description
F7	CNV	DI	Convert Input. This input has multiple functions. On its leading edge, CNV initiates the conversions and selects the interface mode of the device: daisy-chain mode or $\overline{CS}$ mode. In $\overline{CS}$ mode, the SDO pin is enabled when CNV is low. In daisy-chain mode, the data is read when CNV is high.
G2	VCMO	AO	Fully Differential ADC Driver Output Common-Mode Voltage. Nominally, $V_{REF}/2$ .
G6	ADCIN-	AO	Negative Input to the ADC. Extra capacitance can be added on the ADCIN- pin to reduce the RC filter bandwidth.

<sup>1</sup> P is power, AO is analog output, AI is analog input, N/A is not applicable, DI is digital input, and DO is digital output.

TYPICAL PERFORMANCE CHARACTERISTICS

VS+ = 5.5 V, VS- = 0 V, VDD = 1.8 V, VIO = 3.3 V, VREF = 5 V, TA = 25°C, high-Z mode disabled, span compression disabled, turbo mode enabled, and fS = 2 MSPS, unless otherwise noted.

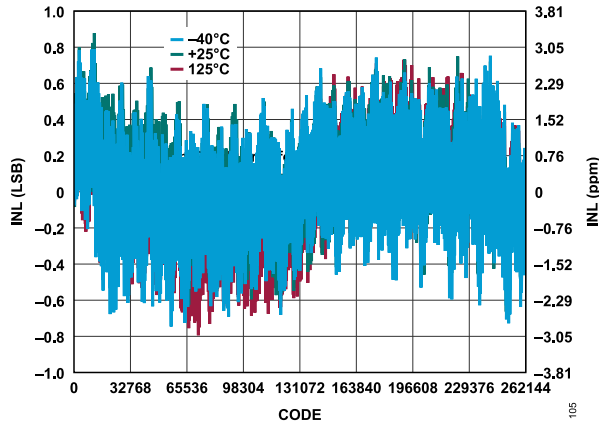


Figure 5. INL vs. Code for Various Temperatures, VREF = 5 V, G = 0.454

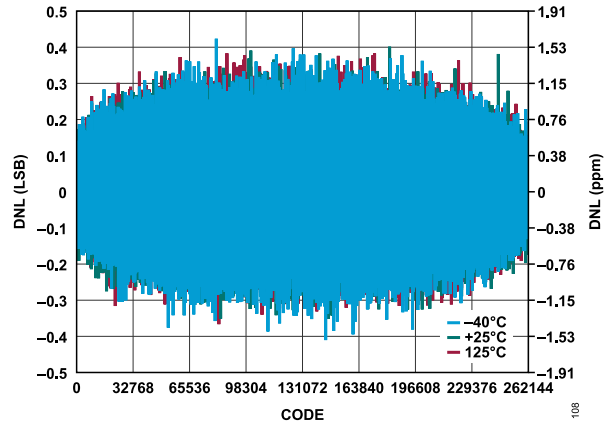


Figure 8. DNL vs. Code for Various Temperatures, VREF = 5 V, G = 0.454

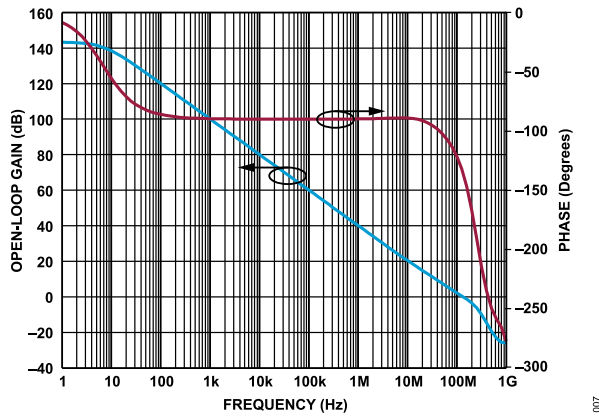


Figure 6. ADC Driver Open-Loop Gain and Phase vs. Frequency

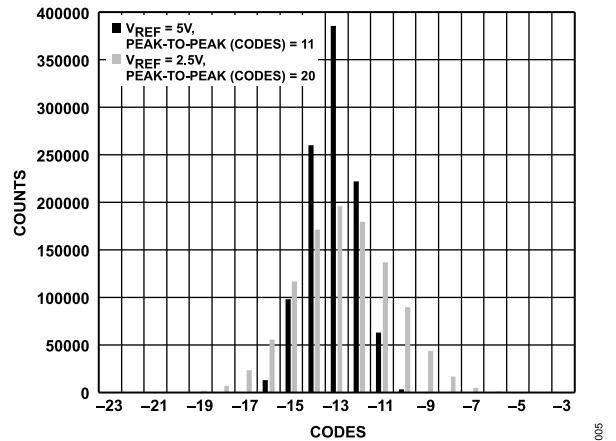


Figure 9. Histogram of a DC Input at the Code Center, VREF = 2.5 V and VREF = 5 V

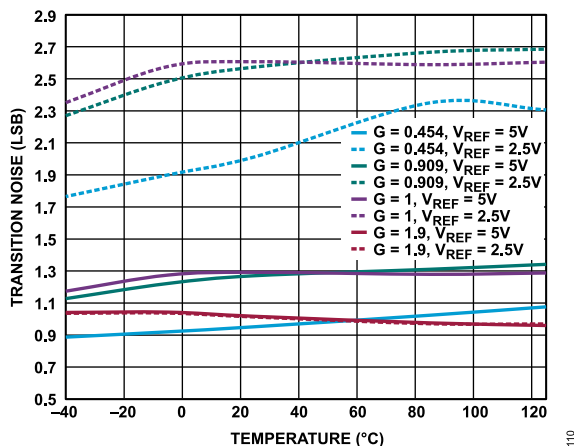


Figure 7. Transition Noise vs. Temperature for G = 0.454, G = 0.909, G = 1, and G = 1.9 and VREF = 5 V and VREF = 2.5 V

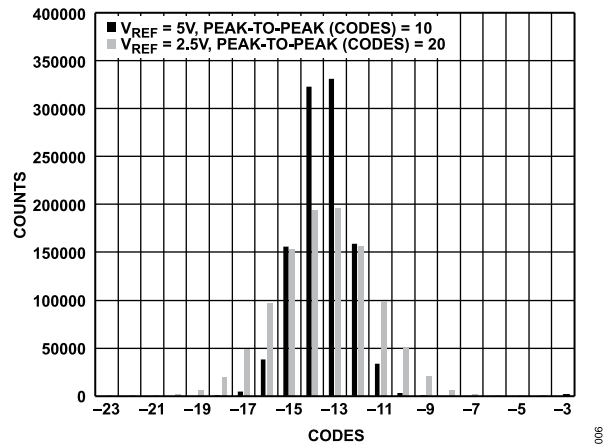


Figure 10. Histogram of a DC Input at the Code Transition, VREF = 2.5 V and VREF = 5 V

TYPICAL PERFORMANCE CHARACTERISTICS

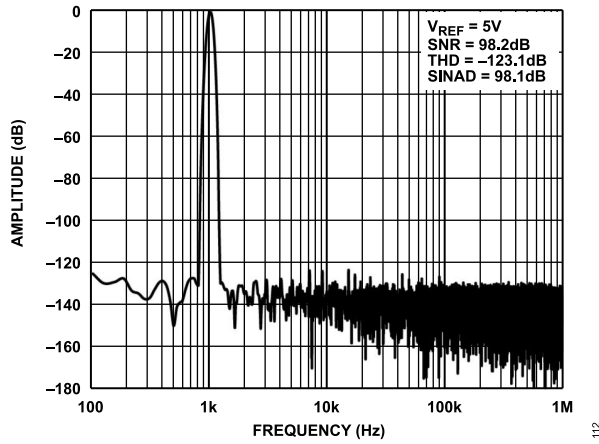


Figure 11. 1 kHz, -0.5 dBFS Input Tone Fast Fourier Transform (FFT), Wide View,  $G = 1$ ,  $V_{REF} = 5$  V, Differential

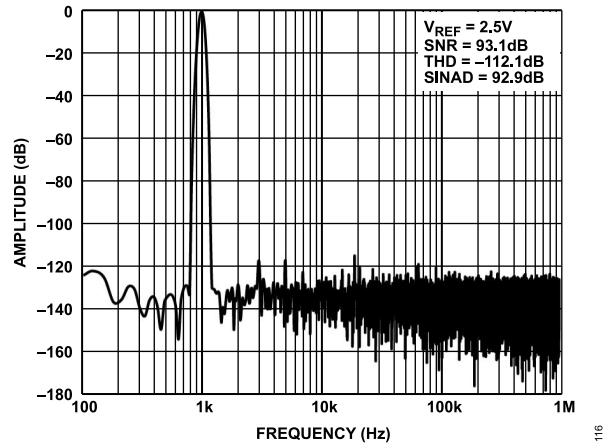


Figure 14. 1 kHz, -0.5 dBFS Input Tone FFT, Wide View,  $G = 1$ ,  $V_{REF} = 2.5$  V, Single-Ended

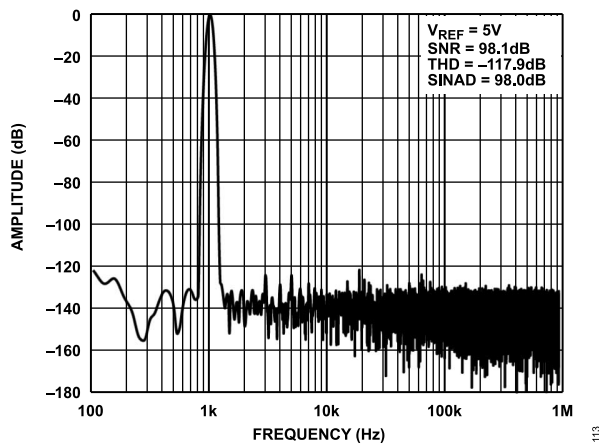


Figure 12. 1 kHz, -0.5 dBFS Input Tone FFT, Wide View,  $G = 1$ ,  $V_{REF} = 5$  V, Single-Ended

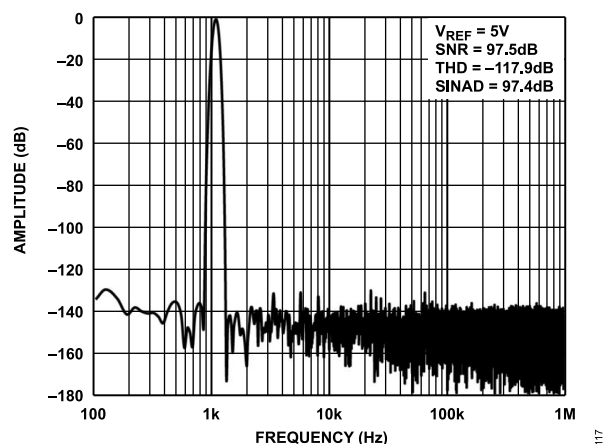


Figure 15. 1 kHz, -0.5 dBFS Input Tone FFT, Wide View, Differential,  $G = 0.909$ ,  $V_{REF} = 5$  V, Low Power Mode

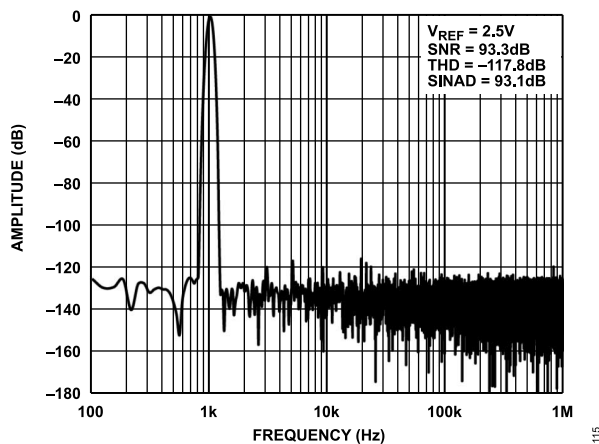


Figure 13. 1 kHz, -0.5 dBFS Input Tone FFT, Wide View,  $G = 1$ ,  $V_{REF} = 2.5$  V, Differential

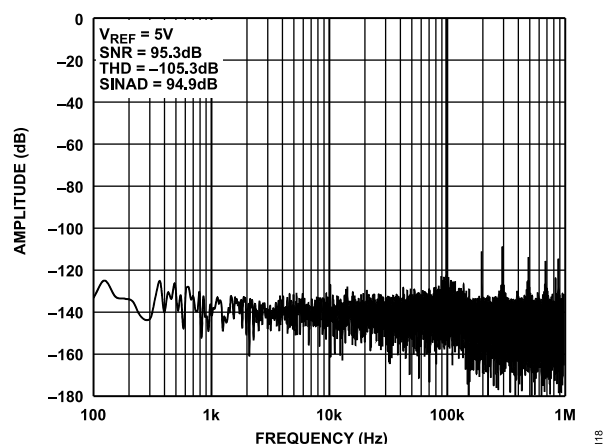


Figure 16. 100 kHz, -0.5 dBFS Input Tone FFT, Wide View,  $G = 1$ ,  $V_{REF} = 5$  V

TYPICAL PERFORMANCE CHARACTERISTICS

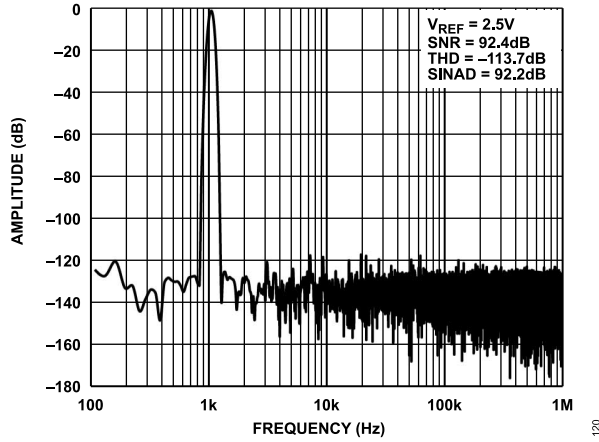


Figure 17. 1 kHz, -0.5 dBFS Input Tone FFT, Wide View, Differential, G = 0.909, V<sub>REF</sub> = 2.5 V, Low Power Mode

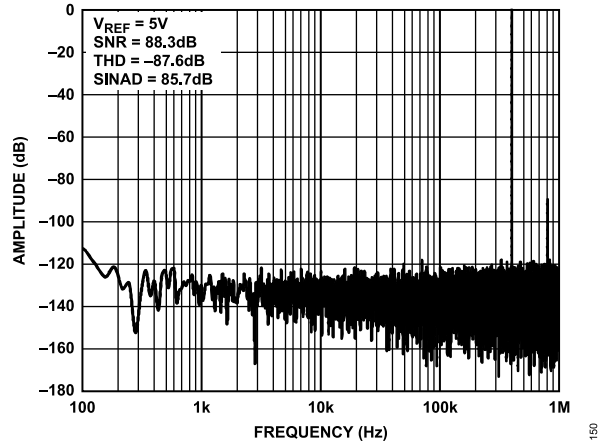


Figure 20. 400 kHz, -0.5 dBFS Input Tone FFT, G = 1, Wide View, V<sub>REF</sub> = 5 V

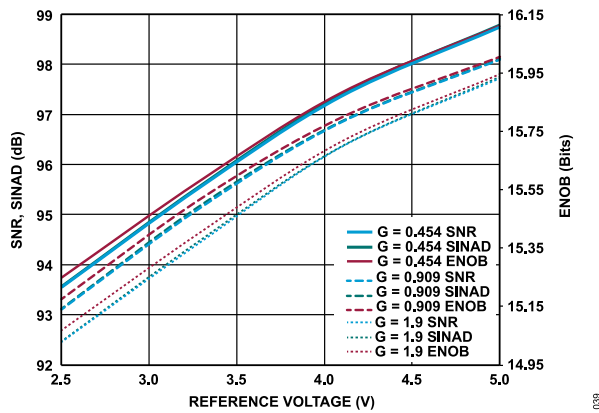


Figure 18. SNR, SINAD, and Effective Number of Bits (ENOB) vs. Reference Voltage for G = 0.454, G = 0.909, and G = 1.9, f<sub>IN</sub> = 1 kHz

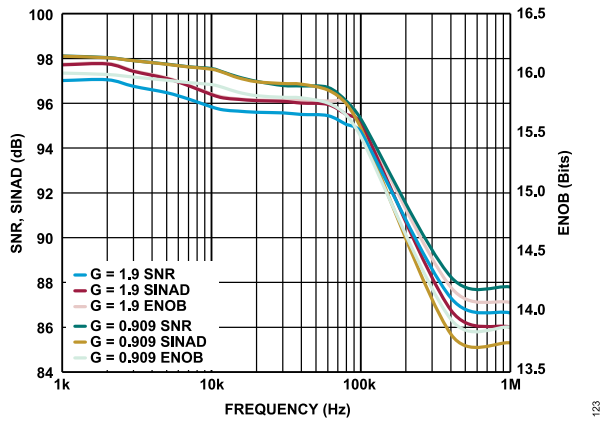


Figure 21. SNR, SINAD, and ENOB vs. Frequency for G = 1.9 and G = 0.909, V<sub>REF</sub> = 5 V

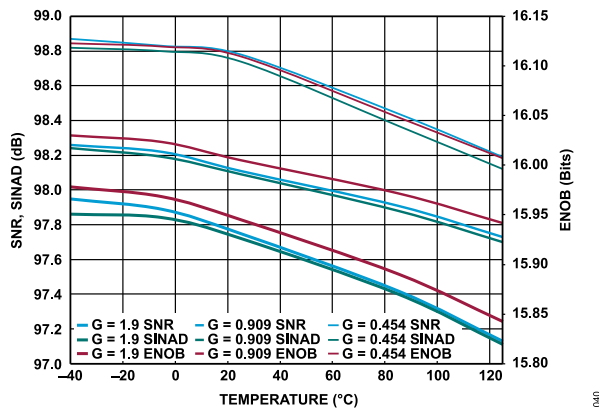


Figure 19. SNR, SINAD, and ENOB vs. Temperature, G=1.9, G = 0.909, and G = 0.454, f<sub>IN</sub> = 1 kHz

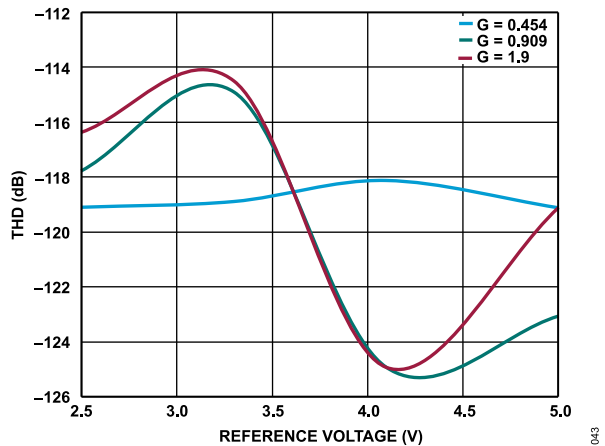


Figure 22. THD vs. Reference Voltage, G = 0.454, G = 0.909, and G = 1.9, f<sub>IN</sub> = 1 kHz

TYPICAL PERFORMANCE CHARACTERISTICS

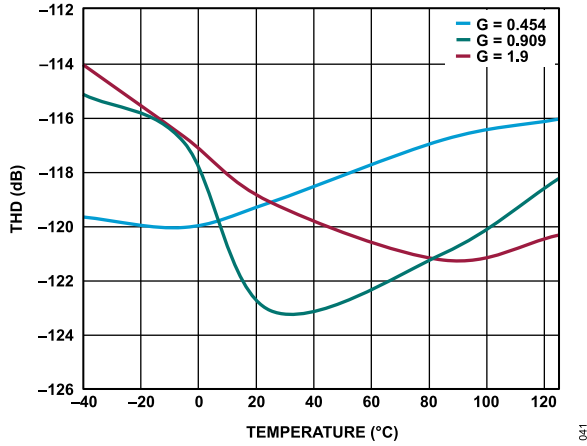


Figure 23. THD vs. Temperature for  $G = 0.454$ ,  $G = 0.909$ , and  $G = 1.9$ ,  $f_{IN} = 1$  kHz

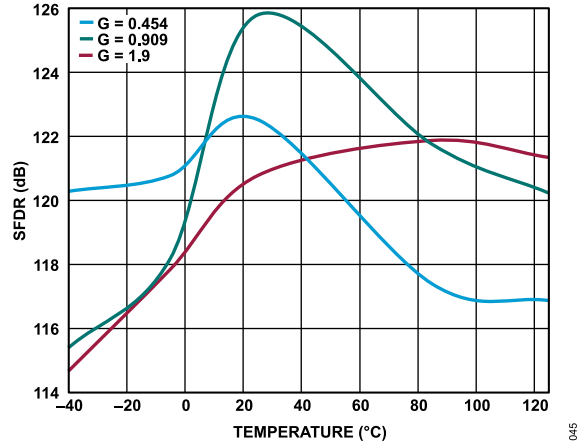


Figure 26. SFDR vs. Temperature for  $G = 0.454$ ,  $G = 0.909$ , and  $G = 1.9$ ,  $f_{IN} = 1$  kHz

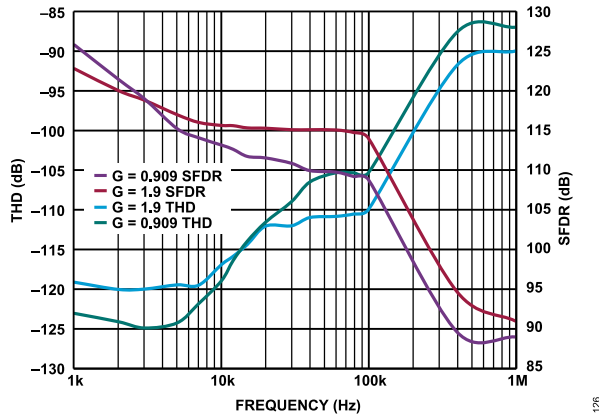


Figure 24. THD and SFDR vs. Frequency for  $G = 0.909$  and  $G = 1.9$ ,  $V_{REF} = 5$  V

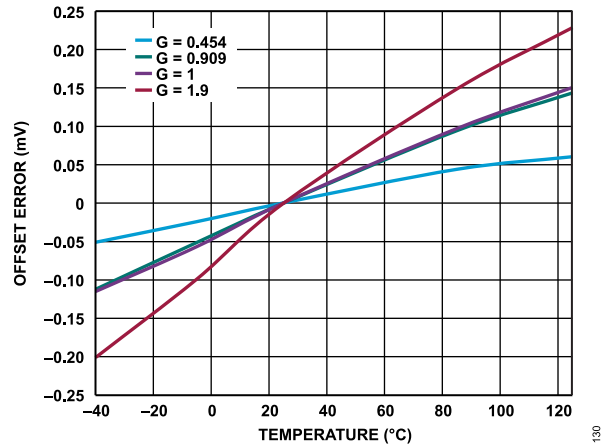


Figure 27. Offset Error vs. Temperature for  $G = 0.454$ ,  $G = 0.909$ ,  $G = 1$ , and  $G = 1.9$

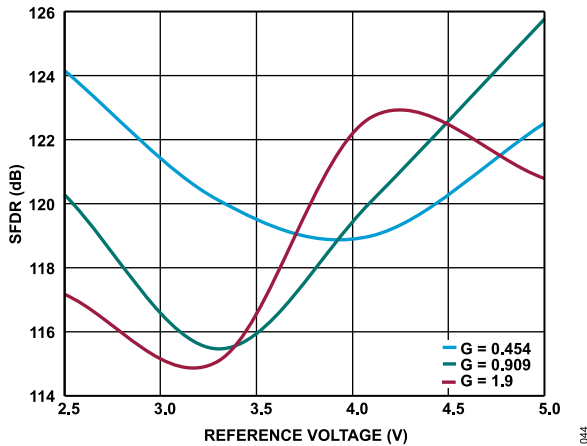


Figure 25. SFDR vs. Reference Voltage for  $G = 0.454$ ,  $G = 0.909$ , and  $G = 1.9$ ,  $f_{IN} = 1$  kHz

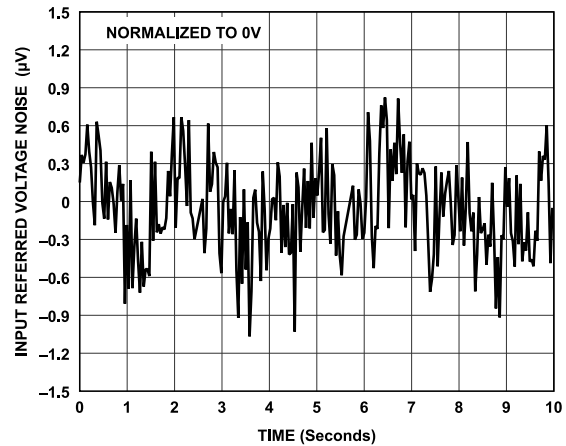


Figure 28. Voltage Noise for 0.1 Hz to 10 Hz Bandwidth, 100 kSPS, 250 Samples Averaged per Reading

TYPICAL PERFORMANCE CHARACTERISTICS

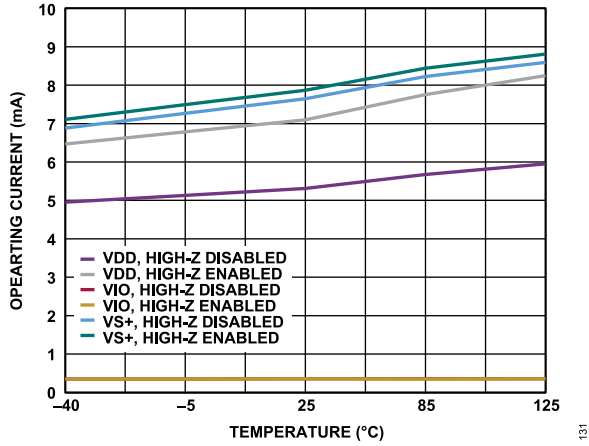


Figure 29. Operating Current vs. Temperature, 2 MSPS

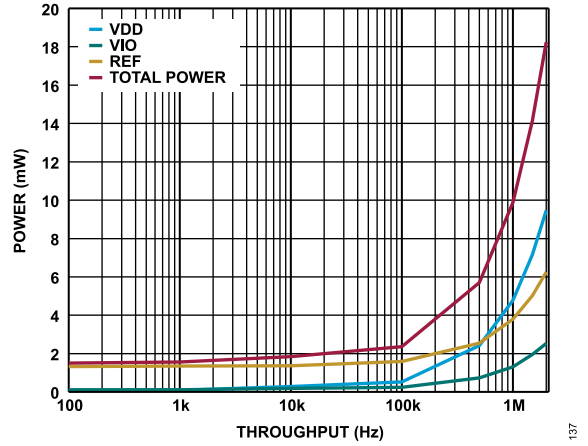


Figure 32. Power vs. Throughput

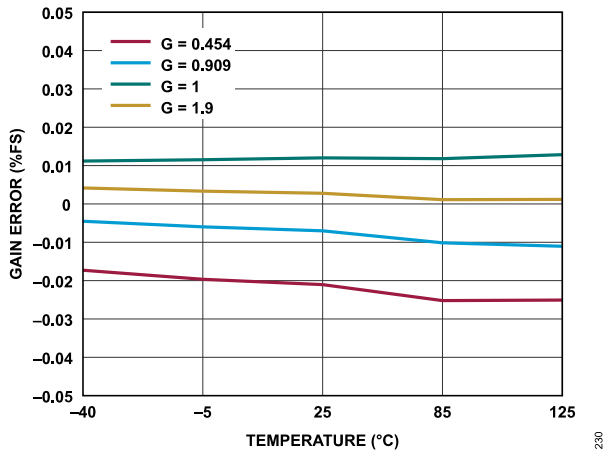


Figure 30. Gain Error vs. Temperature,  $V_{REF} = 5.0$  V, Normal Mode

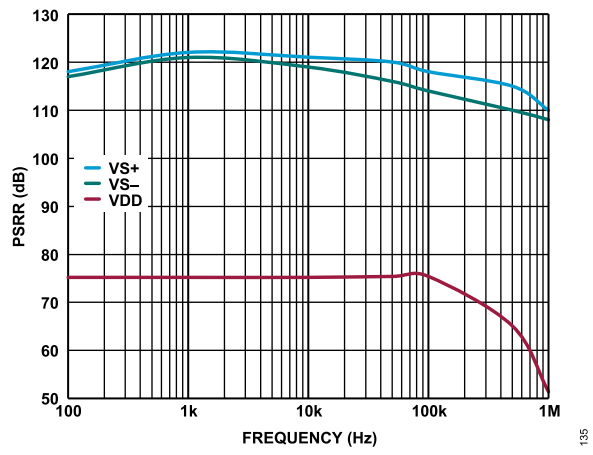


Figure 33. PSRR vs. Frequency

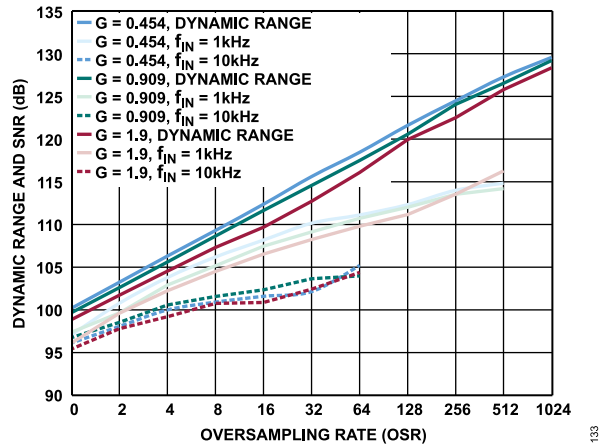


Figure 31. Dynamic Range and SNR vs. Oversampling Rate for  $G = 0.454$ ,  $G = 0.909$ , and  $G = 1.9$ , and for Input Frequencies, 2 MSPS

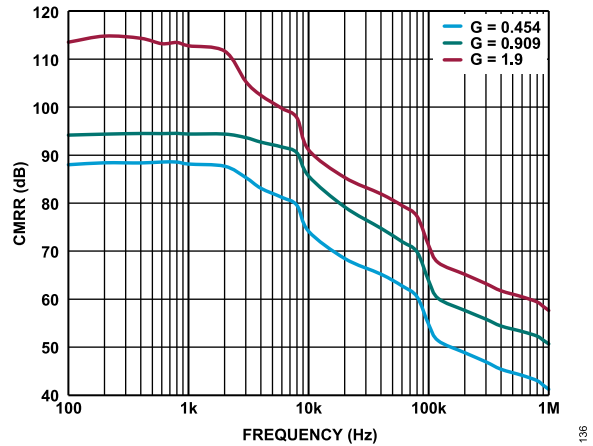


Figure 34. CMRR vs. Frequency for  $G = 0.454$ ,  $G = 0.909$ , and  $G = 1.9$

TYPICAL PERFORMANCE CHARACTERISTICS

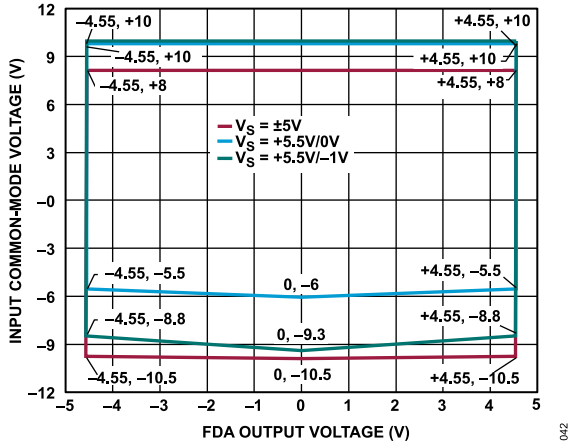


Figure 35. Input Common-Mode Voltage vs. FDA Output Voltage,  $G = 0.454$ , Differential Input

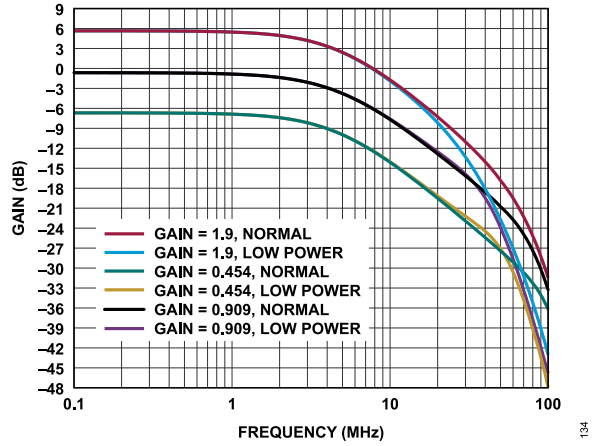


Figure 38. Small Signal Frequency Response for  $G = 1.9$ ,  $G = 0.454$ , and  $G = 0.909$  at Full Power and Low Power

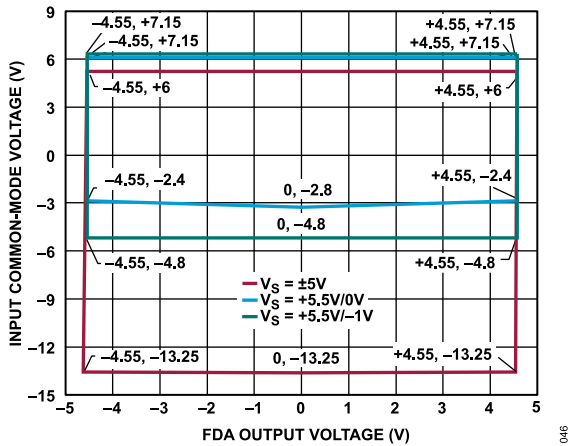


Figure 36. Input Common-Mode Voltage vs. FDA Output Voltage,  $G = 0.909$ , Differential Input

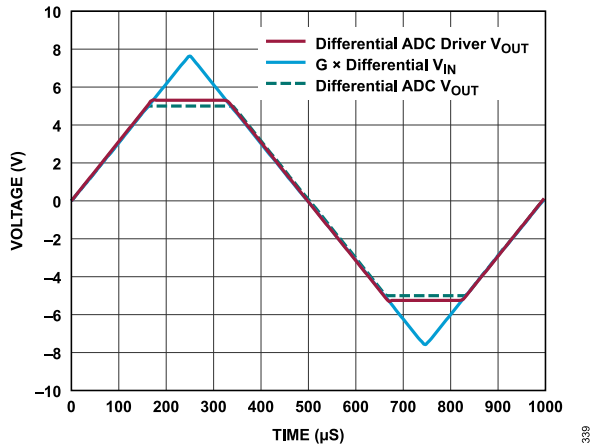


Figure 39. Output Drive Recovery,  $f_{IN} = 1$  kHz

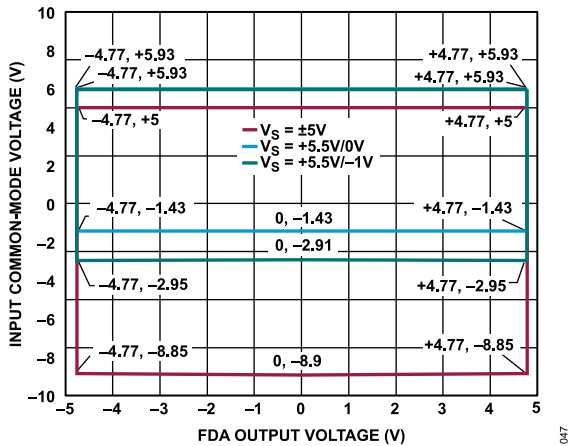


Figure 37. Input Common-Mode Voltage vs. FDA Output Voltage,  $G = 1.9$ , Differential Input

## TERMINOLOGY

### Integral Nonlinearity INL Error

INL error is the deviation of each individual code from a line drawn from negative full scale through positive full scale. The point used as negative full scale occurs  $\frac{1}{2}$  LSB before the first code transition. Positive full scale is defined as a level  $1\frac{1}{2}$  LSB beyond the last code transition. The deviation is measured from the middle of each code to the true straight line (see [Figure 40](#)).

### Differential Nonlinearity DNL Error

In an ideal ADC, code transitions are 1 LSB apart. DNL is the maximum deviation from this ideal value. DNL error is often specified in terms of resolution for which no missing codes are guaranteed.

### Offset Error

The first transition occurs at a level  $\frac{1}{2}$  LSB above analog ground. Offset error is the difference between the ideal midscale input voltage (0 V) and the actual voltage producing the midscale output code.

### Offset Error Drift

Offset error drift is the ratio of the offset error change due to a temperature change of  $1^{\circ}\text{C}$  and the full-scale code range. Offset error drift is expressed in parts per million per degree Celsius as follows:

$$\text{Offset Error Drift (ppm}/^{\circ}\text{C}) = 10^6 \times (\text{Offset Error}_{T_{MAX}} - \text{Offset Error}_{T_{MIN}}) / (T_{MAX} - T_{MIN}) \quad (1)$$

where:

$$\begin{aligned} T_{MAX} &= 125^{\circ}\text{C}. \\ T_{MIN} &= -40^{\circ}\text{C}. \end{aligned}$$

### Gain Error

The first transition occurs at a level  $\frac{1}{2}$  LSB above nominal negative full scale. The last transition occurs for an analog voltage  $1\frac{1}{2}$  LSB below the nominal full scale. The gain error is the deviation of the difference between the actual level of the last transition and the actual level of the first transition from the difference between the ideal levels after the offset error is removed. Gain error is expressed as a percentage as follows:

$$\text{Gain Error(\%)} = 100 \times ((PFS - NFS)_{ACTUAL\_CODE} - (PFS - NFS)_{IDEAL\_CODE}) / (PFS - NFS)_{IDEAL\_CODE} \quad (2)$$

where:

*PFS* is the positive full scale.  
*NFS* is the negative full scale.

### Gain Error Drift

Gain error drift is the ratio of the gain error change due to a temperature change of  $1^{\circ}\text{C}$  and the full-scale range. Gain error drift is expressed in parts per million per degree Celsius as follows:

$$\text{Gain Error Drift (ppm}/^{\circ}\text{C}) = 10^6 \times (\text{Gain Error}_{T_{MAX}} - \text{Gain Error}_{T_{MIN}}) / (T_{MAX} - T_{MIN}) \quad (3)$$

where:

$$\begin{aligned} T_{MAX} &= 125^{\circ}\text{C}. \\ T_{MIN} &= -40^{\circ}\text{C}. \end{aligned}$$

### Spurious-Free Dynamic Range (SFDR)

SFDR is the difference, in decibels (dB), between the rms amplitude of the input signal and the peak spurious signal, including harmonics.

### Effective Number of Bits (ENOB)

ENOB is a measurement of the resolution with a sine wave input. ENOB is related to SINAD as follows:

$$\text{ENOB} = (\text{SINAD}_{dB} - 1.76) / 6.02$$

ENOB is expressed in bits.

### Total Harmonic Distortion THD

THD is the ratio of the rms sum of the first five harmonic components to the rms value of a full-scale input signal and is expressed in decibels.

### Dynamic Range

Dynamic range is the ratio of the rms value of the full scale to the total rms noise measured. The value for dynamic range is expressed in decibels. Dynamic range is measured with a signal at  $-60$  dBFS so that the range includes all noise sources and DNL artifacts.

### Signal-to-Noise Ratio (SNR)

SNR is the ratio of the rms value of the actual input signal to the rms sum of all other spectral components below the Nyquist frequency, excluding harmonics and dc. The value for SNR is expressed in decibels.

### Signal-to-Noise-and-Distortion Ratio SINAD

SINAD is the ratio of the rms value of the actual input signal to the rms sum of all other spectral components that are less than the Nyquist frequency, including harmonics but excluding dc. The value of SINAD is expressed in decibels.

### Aperture Delay

Aperture delay is the measure of the acquisition performance and is the time between the rising edge of the CNV input and when the input signal is held for a conversion.

### Transient Response

Transient response is the time required for the ADC to acquire a full-scale input step to  $\pm 1$  LSB accuracy.

**TERMINOLOGY****Common-Mode Rejection Ratio (CMRR)**

CMRR is the ratio of the power in the  $\mu$ Module output at the frequency,  $f$ , to the power of a 1.3 V p-p sine wave applied to the input common-mode voltage of  $f$ .

$$CMRR(\text{dB}) = 10 \log(P_{\mu\text{Module\_IN}} / P_{\mu\text{Module\_OUT}}) \quad (4)$$

where:

$P_{\mu\text{Module\_IN}}$  is the common-mode power at  $f$  applied to the inputs.

$P_{\mu\text{Module\_OUT}}$  is the power at  $f$  in the  $\mu$ Module output.

**Power Supply Rejection Ratio (PSRR)**

PSRR is the ratio of the power in the  $\mu$ Module output at  $f$  to the power of a 500 mV p-p sine wave applied to the VDD and VS+ supply voltage centered at 5 V and 100 mV p-p for a VS- supply voltage centered at -1 V of  $f$ .

$$PSRR(\text{dB}) = 10 \log(P_{\mu\text{Module\_IN}} / P_{\mu\text{Module\_OUT}})$$

where:

$P_{\mu\text{Module\_IN}}$  is the power at  $f$  at each of the VDD, VS+, and VS- supply pins.

$P_{\mu\text{Module\_OUT}}$  is the power at  $f$  in the  $\mu$ Module output.

## THEORY OF OPERATION

## CIRCUIT INFORMATION

The ADAQ4003 SiP is a fast, precision DAQ signal chain that uses a SAR architecture. As shown in [Figure 1](#), the ADAQ4003  $\mu$ Module DAQ solution contains a high bandwidth, fully differential, ADC driver, a low noise reference buffer, and an 18-bit SAR ADC, along with the critical precision passive components required to achieve optimized performance with pin-selectable gain options of 0.454, 0.909, 1, or 1.9. All active components including  $\mu$ Passives thin film resistors with  $\pm 0.005\%$  matching in the circuit are designed by Analog Devices, which are factory calibrated to achieve a high degree of specified accuracy and minimize temperature dependent error sources.

The ADAQ4003 is capable of converting 2,000,000 samples per second (2 MSPS). The ADAQ4003 has a valid first conversion after being powered down for long periods that can reduce power consumed in applications where the ADC does not convert constantly.

The ADAQ4003 offers a significant reduction in form factor and total cost of ownership compared to traditional discrete signal chains from a selection of individual components, size of PCB, and manufacturing perspective, while still providing flexibility to adapt to a wide array of applications.

The ADAQ4003 incorporates a fully differential, high speed ADC driver with integrated precision resistors. The precision resistors can be pin strapped to achieve different gains for the fully differential ADC driver, which allows the user to match the input signal range. The fully ADC driver can be used in a differential manner or to perform a single-ended to differential conversion for a single-ended input.

The fast conversion time of the ADAQ4003, along with turbo mode, allows low clock rates to read back conversions, even when running at its maximum throughput rate. Note that for the ADAQ4003, the full throughput rate of 2 MSPS can be achieved only with turbo mode enabled. Because the ADAQ4003 has on-board conversion clocks, the serial clock (SCK) is not required for the conversion process.

The ADAQ4003 interfaces to any 1.8 V to 5 V digital logic family. The device is housed in a 7 mm  $\times$  7 mm, 0.80 mm pitch 49-ball CSP\_BGA that provides significant space savings and allows flexible configurations.

## TRANSFER FUNCTIONS

The ideal transfer characteristics for the ADAQ4003 are shown in [Figure 40](#) and [Table 10](#).

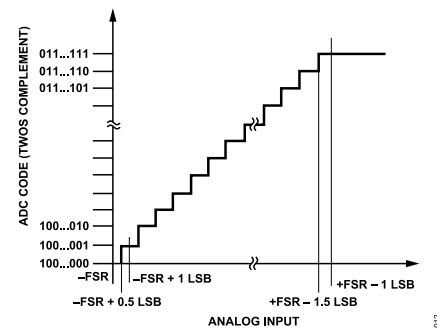


Figure 40. ADC Ideal Transfer Function (FSR Is Full-Scale Range)

Table 10. Output Codes and Ideal Input Voltages

Description	Analog Inputs		Digital Output Code <sup>1</sup> (Twos Complement, Hex)
	Span Compression Disabled	Span Compression Enabled	
FSR - 1 LSB	$(131,071 \times V_{REF}) / (131,072 \times G)$	$(131,071 \times 0.8 \times V_{REF}) / (131,072 \times G)$	0x1FFFF <sup>2</sup>
Midscale + 1 LSB	$V_{REF} / (131,072 \times G)$	$0.8 \times V_{REF} / (131,072 \times G)$	0x00001
Midscale	0 V	0 V	0x00000
Midscale - 1 LSB	$-V_{REF} / (131,072 \times G)$	$-0.8 \times V_{REF} / (131,072 \times G)$	0x3FFFF
-FSR + 1 LSB	$-(131,071 \times V_{REF}) / (131,072 \times G)$	$-(131,071 \times 0.8 \times V_{REF}) / (131,072 \times G)$	0x20001
-FSR	$-V_{REF} \times G$	$-0.8 \times V_{REF} \times G$	0x20000 <sup>3</sup>

<sup>1</sup> This output code assumes that the negative input, IN<sub>-</sub>, of the ADC driver is being driven.

<sup>2</sup> This output code is also the code for an overranged analog input (IN<sub>+</sub> - IN<sub>-</sub> above  $V_{REF}$  with the span compression disabled and above  $0.8 \times V_{REF}$  with the span compression enabled).

<sup>3</sup> This output code is also the code for an underranged analog input (IN<sub>+</sub> - IN<sub>-</sub> below  $-V_{REF}$  with the span compression disabled and above  $0.8 \times V_{REF}$  with the span compression enabled).

APPLICATIONS INFORMATION

TYPICAL APPLICATION DIAGRAMS

Figure 41 through Figure 48 show the recommended connection diagrams for the ADAQ4003 when applying a single-ended and differential input signal for four different gain options with respect to ground reference. Table 11 shows how the input signal is applied for a given gain or input range option.

Table 11. Gain Configuration and Input Range

Gain	Input Range	Input Signal on Pins	Test Conditions
0.454	$\pm 11$ V	R1K1-, R1K1+	Leave the IN- and IN+ pins floating. Connect the OUT+ to R1K- pins and OUT- to R1K+ pins together. See Figure 41 and Figure 45.
0.909	$\pm 5.5$ V	R1K1-, R1K1+	Leave the IN-, IN+, R1K-, and R1K+ pins floating. See Figure 42 and Figure 46.
1	$\pm 5$ V	R1K-, R1K+	Leave the IN-, IN+, R1K1-, and R1K1+ pins floating. See Figure 43 and Figure 47.
1.9	$\pm 2.6$ V	R1K-/R1K1-, R1K+/R1K1+	Leave the IN- and IN+ pins floating. Connect the R1K- to R1K1- pins and R1K+ to R1K1+ pins together. See Figure 44 and Figure 48.

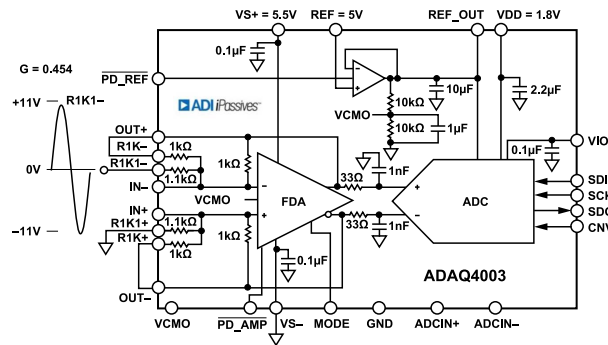


Figure 41. Single-Ended to Differential Configuration with G = 0.454

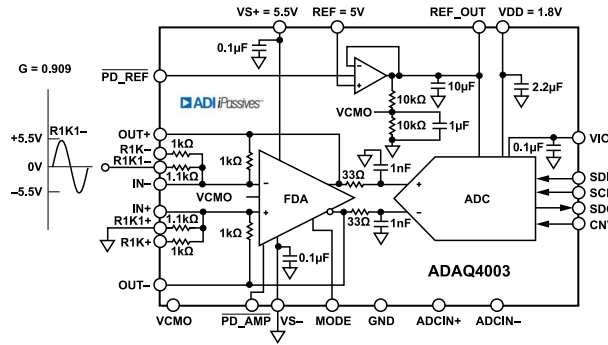


Figure 42. Single-Ended to Differential Configuration with G = 0.909

APPLICATIONS INFORMATION

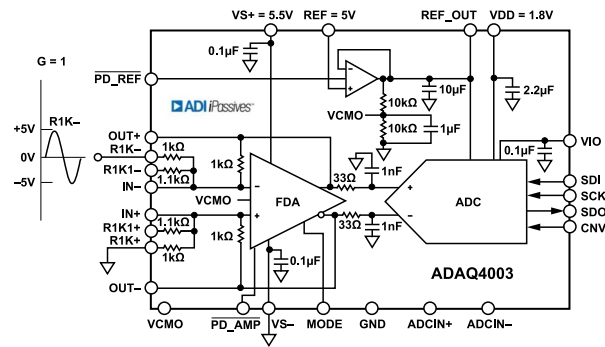


Figure 43. Single-Ended to Differential Configuration with G = 1

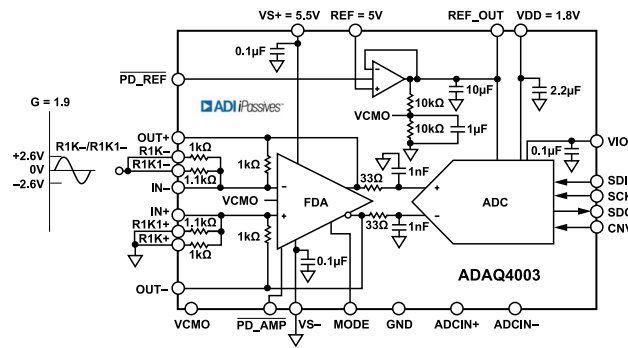


Figure 44. Single-Ended to Differential Configuration with G = 1.9

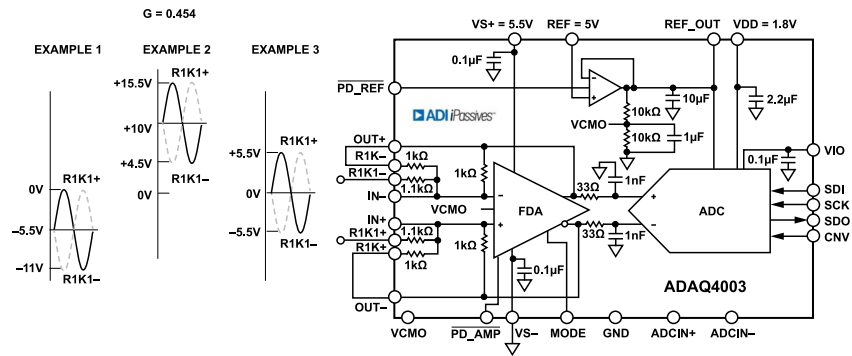


Figure 45. Differential Configuration with G = 0.454

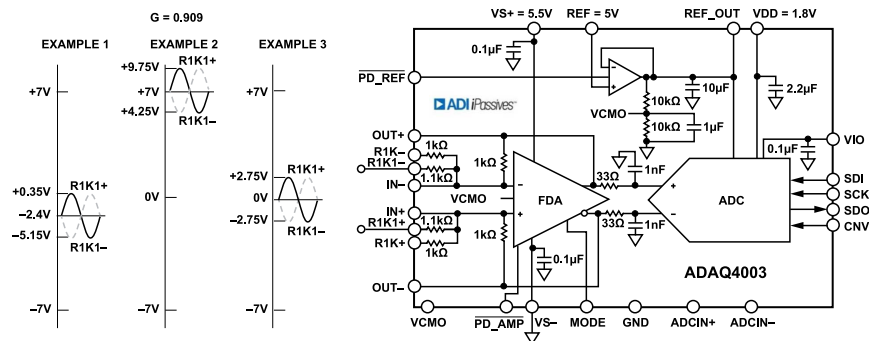


Figure 46. Differential Configuration with G = 0.909

APPLICATIONS INFORMATION

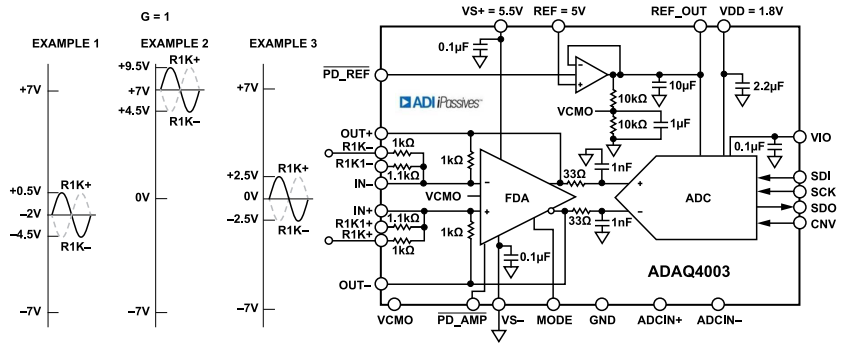


Figure 47. Differential Configuration with G = 1

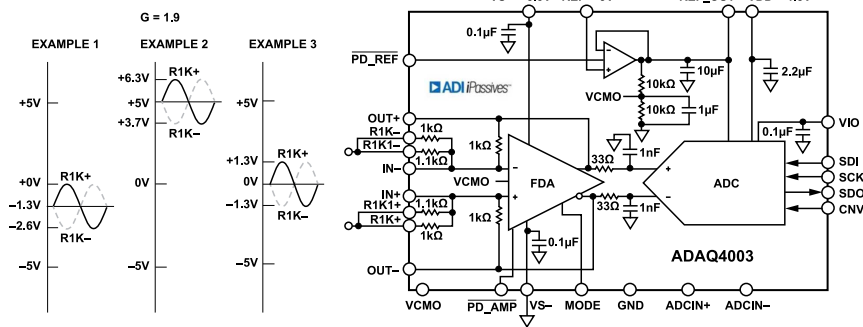


Figure 48. Differential Configuration with G = 1.9

## APPLICATIONS INFORMATION

## ANALOG INPUTS

## High Frequency Input Signals

The ADAQ4003 ac performance over a wide input frequency range using a 5 V reference voltage is shown in Figure 21 and Figure 24. The ADAQ4003 maintains exceptional ac performance for input frequencies up to the Nyquist frequency with minimal performance degradation.

## EASE OF DRIVE FEATURES

## Input Span Compression

The ADAQ4003 includes a span compression feature that increases the headroom and footroom available to the ADC driver by reducing the input range by 10% from the top and bottom of the range while still accessing all available ADC codes. The SNR decreases by approximately 1.9 dB ( $20 \times \log(8/10)$ ) for the reduced input range when span compression is enabled. Span compression is disabled by default but can be enabled by writing to the relevant register bit (see the Digital Interface section).

## ADC High-Z Mode

The ADAQ4003 incorporates ADC high-Z mode, which reduces the nonlinear charge kickback when the capacitor DAC switches back to the input at the start of the acquisition. The ADC high-Z mode is disabled by default but can be enabled by writing to the register (see Table 15). Disable high-Z mode for input frequencies above 100 kHz or when multiplexing.

## Driving the ADAQ4003 Using a High Impedance PGIA

The majority of instrumentation and programmable gain instrumentation amplifiers (PGIAs) are single-ended output, which cannot directly drive the fully differential data acquisition signal chain. However, the LTC6373 PGIA offers fully differential outputs, low noise, low distortion, and high bandwidth. The LTC6373 is dc-coupled on the input and the output with programmable gain settings (using the A2, A1, and A0 pins). These features enable the LTC6373 to drive the ADAQ4003 directly in many signal chain applications without sacrificing precision performance.

In Figure 51, the LTC6373 is used in a differential input to differential output configuration with dual supplies of  $\pm 15\text{V}$ . The LTC6373 can also be used in a single-ended input to differential output configuration, if required. The LTC6373 is directly driving the ADAQ4003 with its gain set as 0.454. The  $V_{\text{OCM}}$  pin of LTC6373 is connected to ground and its outputs swing between  $-5.5\text{V}$  and  $+5.5\text{V}$  (opposite in phase). The FDA of ADAQ4003 level shifts the outputs of the LTC6373 to match the desired input common mode of the ADAQ4003 and provides the signal amplitude necessary to utilize the maximum  $2 \times V_{\text{REF}}$  peak-to-peak differential signal range of the ADC inside the ADAQ4003  $\mu\text{Module}$ . Figure 49 and Figure 50 show the SNR and THD performance using various gain settings of the LTC6373 for the circuit configuration shown in Figure 51.

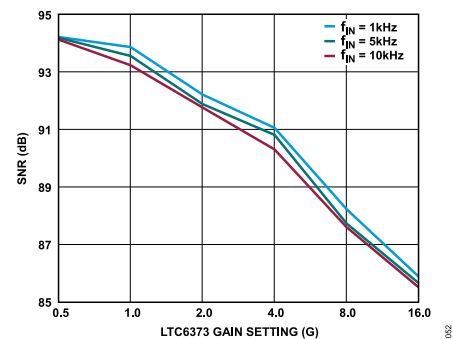


Figure 49. SNR vs. LTC6373 Gain Setting, LTC6373 Driving the ADAQ4003 (Gain = 0.454)

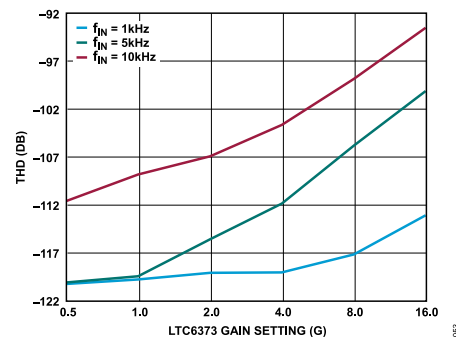


Figure 50. THD vs. LTC6373 Gain Setting, LTC6373 Driving the ADAQ4003 (Gain = 0.454)



## APPLICATIONS INFORMATION

When in  $\overline{CS}$  mode, the ADAQ4003 is compatible with SPI, QSPI™, MICROWIRE®, digital hosts, and digital signal processors (DSPs). In this mode, the ADAQ4003 can use either a 3-wire or 4-wire interface. A 3-wire interface using the CNV, SCK, and SDO signals minimizes wiring connections, which is useful in isolated applications. A 4-wire interface using the SDI, CNV, SCK, and SDO signals allows CNV, which initiates the conversions, to be independent of the readback timing (SDI). This interface is useful in low jitter sampling or simultaneous sampling applications.

The ADAQ4003 provides a daisy-chain feature using the SDI for cascading multiple ADCs on a single data line, similar to a shift register.

The mode in which the ADAQ4003 operates depends on the SDI level when the CNV rising edge occurs.  $\overline{CS}$  mode is selected if SDI is high, and daisy-chain mode is selected if SDI is low. The SDI hold time is such that when SDI and CNV are connected together, daisy-chain mode is automatically selected.

In either 3-wire or 4-wire mode, the ADAQ4003 offers the option of forcing a start bit in front of the data bits. This start bit can be used as a busy signal indicator to interrupt the digital host and trigger the data reading. Otherwise, without a busy indicator, the user must time out the maximum conversion time prior to readback.

The busy indicator feature is enabled in  $\overline{CS}$  mode if CNV or SDI is low when the ADC conversion ends.

The state of SDO on power-up is either low or high-Z depending on the states of CNV and SDI (see Table 12).

**Table 12. State of SDO on Power-Up**

CNV	SDI	SDO
0	0	Low
0	1	Low
1	0	Low
1	1	High-Z

The ADAQ4003 has a turbo mode capability in both 3-wire and 4-wire mode. Turbo mode is enabled by writing to the configuration register and replaces the busy indicator feature when enabled. Turbo mode allows a slower SPI clock rate, making interfacing simpler. The maximum throughput of 2 MSPS for the ADAQ4003 can be achieved only with turbo mode enabled and a minimum SCK rate of 75 MHz. The SCK rate must be sufficiently fast to ensure the conversion result is clocked out before another conversion initiates. The minimum required SCK rate for an application can be derived based on the sample period ( $t_{CYC}$ ), the number of bits that must be read (including the data and optional status bits), and the digital interface mode used. Timing diagrams and explanations for each digital interface mode are given in the digital modes of operation sections (see the  $\overline{CS}$  Mode, 3-Wire Turbo Mode section and the  $\overline{CS}$  Mode, 4-Wire with Busy Indicator section).

Status bits can also be clocked out at the end of the conversion data if the status bits are enabled in the configuration register. The six status bits are described in Table 13.

The ADAQ4003 is configured by 16-bit SPI writes to the desired configuration register. The 16-bit word can be written via the SDI line while CNV is held low. The 16-bit word consists of an 8-bit header and 8-bit register data. For isolated systems, the ADuM141D is recommended, which can support the 75 MHz SCK rate required to run the ADAQ4003 at its full throughput of 2 MSPS.

## REGISTER READ AND WRITE FUNCTIONALITY

The ADAQ4003 register bits are programmable, and the bits default statuses are listed in Table 13. The register map is shown in Table 15. The  $\overline{OV}$  clamp flag is a read only sticky bit, and this bit is cleared only if the register is read and the overvoltage condition is no longer present. The  $\overline{OV}$  clamp flag gives an indication of the overvoltage condition when this bit is set to 0.

**Table 13. Register Bits**

Register Bits	Default Status
$\overline{OV}$ Clamp Flag	1 bit, 1 = inactive (default)
Span Compression	1 bit, 0 = disabled (default)
High-Z Mode	1 bit, 0 = disabled (default)
Turbo Mode	1 bit, 0 = disabled (default)
Enable Six Status Bits	1 bit, 0 = disabled (default)

All access to the register map must start with a write to the 8-bit command register in the SPI interface block. The ADAQ4003 ignores all 1s until the first 0 is clocked in (represented by  $\overline{WEN}$  in Figure 52, Figure 53, and Table 14). The value loaded into the command register is always 0 followed by seven command bits. This command determines whether that operation is a write or a read. The ADAQ4003 command register is listed in Table 14.

**Table 14. Command Register**

Bit 7	Bit 6	Bit 5	Bit 4	Bit 3	Bit 2	Bit 1	Bit 0
$\overline{WEN}$	R/W	0	1	0	1	0	0

All register read and writes must occur while CNV is low. Data on SDI is clocked in on the rising edge of SCK. Data on SDO is clocked out on the falling edge of SCK. At the end of the data transfer, SDO is put in a high impedance state on the rising edge of CNV if daisy-chain mode is not enabled. If daisy-chain mode is enabled, SDO goes low on the rising edge of CNV. Register reads are not allowed in daisy-chain mode.

A register write requires three signal lines: SCK, CNV, and SDI. During a register write to read the current conversion results on SDO, the CNV pin must be brought low after the conversion completes. Otherwise, the conversion results may be incorrect on SDO. However, the register write occurs regardless.

The LSB of each configuration register is reserved because a user reading 16-bit conversion data may be limited to a 16-bit SPI frame. The state of SDI on the last bit in the SDI frame may be the

APPLICATIONS INFORMATION

state that then persists when CNV rises. Because interface mode is partly set based on the SDI state when CNV rises, in this scenario, the user may need to set the final SDI state.

The timing diagrams in Figure 52 through Figure 54 show how data is read and written when the ADAQ4003 is configured in register read, write, and daisy-chain mode.

Table 15. Register Map

ADDR[1:0]	Bit 7	Bit 6	Bit 5	Bit 4	Bit 3	Bit 2	Bit 1	Bit 0	Reset
0x0	Reserved	Reserved	Reserved	Enable six status bits	Span compression	High-Z mode	Turbo mode	OV clamp flag (read only sticky bit)	0xE1

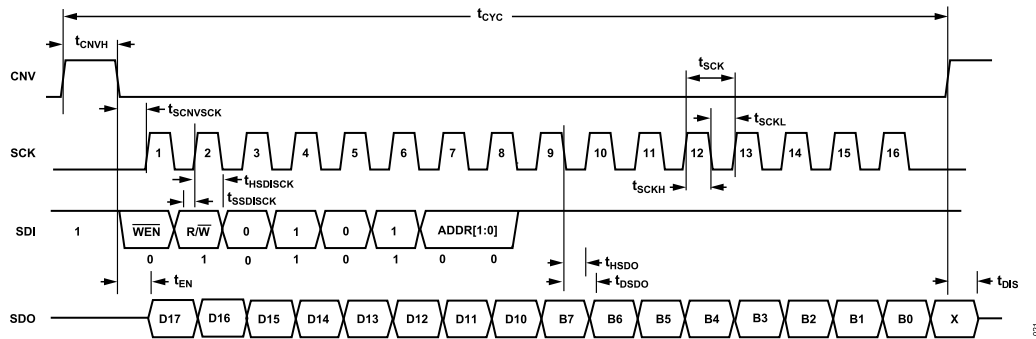
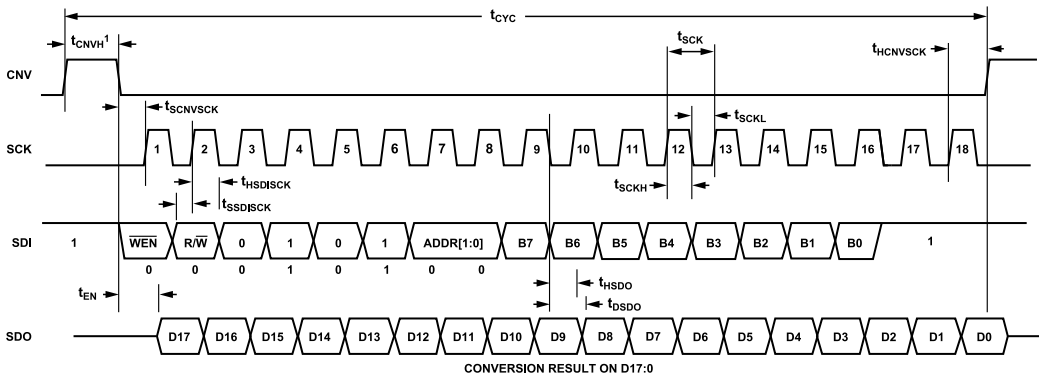


Figure 52. Register Read Timing Diagram



<sup>1</sup>THE USER MUST WAIT t\_CONV TIME WHEN READING BACK THE CONVERSION RESULT AND DOING A REGISTER WRITE AT THE SAME TIME.

Figure 53. Register Write Timing Diagram

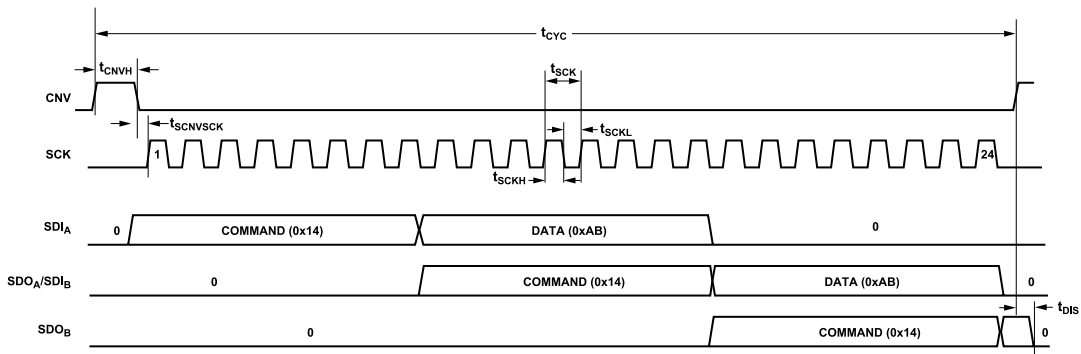


Figure 54. Register Write Timing Diagram, Daisy-Chain Mode

APPLICATIONS INFORMATION

STATUS WORD

The 6-bit status word can be appended to the end of a conversion result, and the default conditions of these bits are shown in Table 16. The status bits must be enabled in the register setting. When the  $\overline{OV}$  clamp flag is 0, this bit indicates an overvoltage condition. The  $\overline{OV}$  clamp flag status bit updates on a per conversion basis.

The SDO line returns to high impedance after the sixth status bit is clocked out (except in daisy-chain mode). The user is not required to clock out all status bits to start the next conversion. The serial interface timing for  $\overline{CS}$  mode, 3-wire without busy indicator, including status bits, is shown in Figure 55.

Table 16. Table 15. Status Bits (Default Conditions)

Bit 5	Bit 4	Bit 3	Bit 2	Bit 1	Bit 0
$\overline{OV}$ clamp flag	Span compression	High-Z mode	Turbo mode	Reserved	Reserved

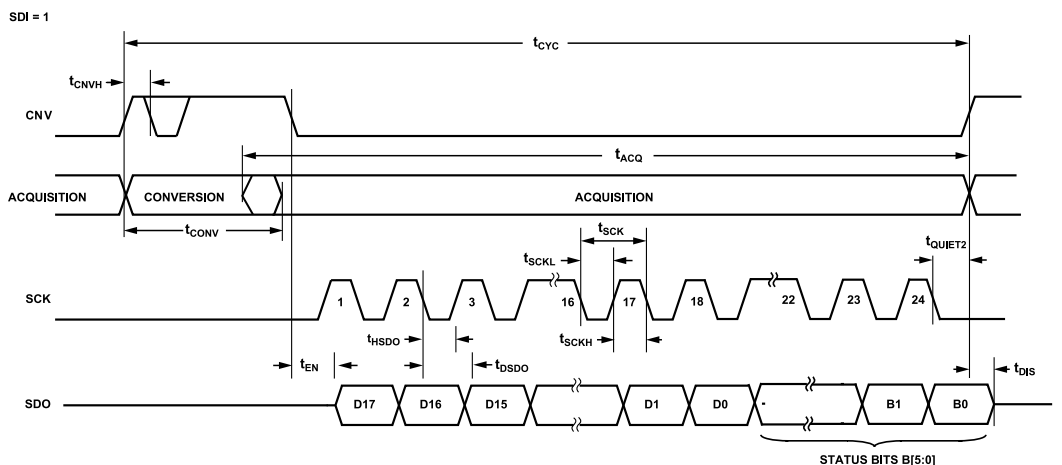


Figure 55.  $\overline{CS}$  Mode, 3-Wire Without Busy Indicator Serial Interface Timing Diagram Including Status Bits (SDI High)

APPLICATIONS INFORMATION

**CS MODE, 3-WIRE TURBO MODE**

This mode is typically used when a single ADAQ4003 device is connected to an SPI-compatible digital host. This mode provides additional time during the end of the ADC conversion process to clock out the previous conversion result, providing a lower SCK rate. The ADAQ4003 can achieve a throughput rate of 2 MSPS only when turbo mode is enabled and using a minimum SCK rate of 75 MHz. The connection diagram is shown in Figure 56, and the corresponding timing diagram is shown in Figure 57.

To enable turbo mode, set the turbo mode enable bit in the configuration register to 1 (see Table 13). This mode replaces the 3-wire with busy indicator mode by programming the turbo mode bit, Bit 1 (see Table 15). Writing to the user configuration register requires SDI to be connected to the digital host (see the Register Read and Write Functionality section). When turbo mode is enabled, the conversion result read on SDO corresponds to the result of the previous conversion.

When performing conversions in this mode, SDI must be held high, and a CNV rising edge initiates a conversion and forces SDO to

high impedance. The user must wait the  $t_{QUIET1}$  time after CNV is brought high before bringing CNV low to clock out the previous conversion result. When the conversion is complete (after  $t_{CONV}$ ), the ADAQ4003 enters the acquisition phase and powers down. The user must also wait the  $t_{QUIET2}$  time after the last falling edge of SCK to when CNV is brought high.

When CNV goes low, the MSB is output to SDO. The remaining data bits are clocked by subsequent SCK falling edges. The data is valid on both SCK edges. Although the rising edge can capture the data, a digital host using the SCK falling edge allows a faster reading rate, provided it has an acceptable hold time, as dictated by  $t_{HSDO}$  (see Table 3). If the status bits are not enabled, SDO returns to high impedance after the 18th SCK falling edge. If the status bits are enabled, the bits are shifted out on SDO on the 19th through the 24th SCK falling edges (see the Status Word section). SDO returns to high impedance after the 18th SCK falling edge, or when CNV goes high (whichever occurs first). The user must also provide a delay of  $t_{QUIET2}$  between the final SCK falling edge and the next CNV rising edge to ensure specified performance.

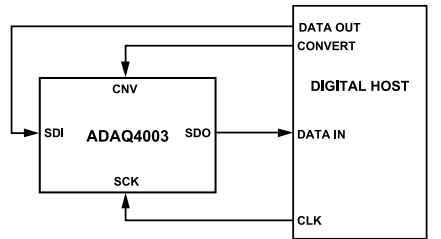


Figure 56. CS Mode, 3-Wire Turbo Mode Connection Diagram (SDI High)

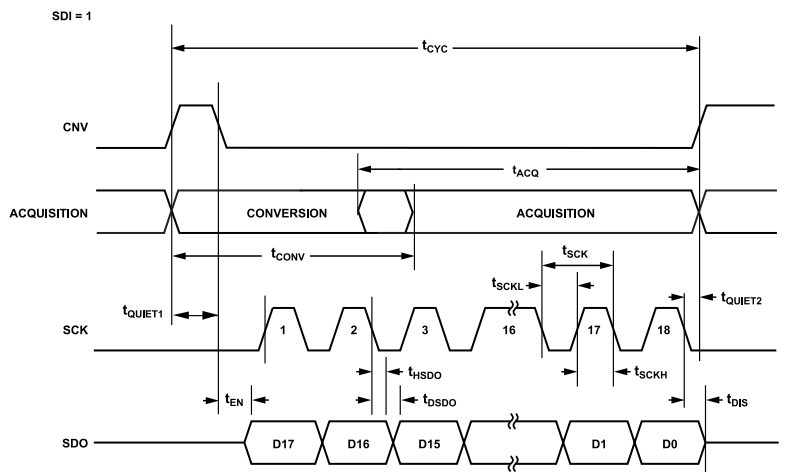


Figure 57. CS Mode, 3-Wire Turbo Mode Serial Interface Timing Diagram (SDI High)

APPLICATIONS INFORMATION

**$\overline{\text{CS}}$  MODE, 3-WIRE WITHOUT BUSY INDICATOR**

This mode is typically used when a single ADAQ4003 device is connected to an SPI-compatible digital host. The connection diagram is shown in Figure 58, and the corresponding timing diagram is shown in Figure 59.

When SDI is connected to VIO, a rising edge on CNV initiates a conversion, selects the  $\overline{\text{CS}}$  mode, and forces SDO to high impedance. After a conversion initiates, it continues until completion irrespective of the state of CNV. This feature can be useful, for instance, to bring CNV low to select other SPI devices, such as analog multiplexers. However, CNV must be returned high before the minimum conversion time elapses and then held high for the maximum possible conversion time to avoid the generation of the busy signal indicator.

When the conversion completes, the ADAQ4003 enters the acquisition phase and powers down. When CNV goes low, the MSB is output onto SDO. The remaining data bits are clocked by subsequent SCK falling edges. The data is valid on both SCK edges. Although the rising edge can capture the data, a digital host using the SCK falling edge allows a faster reading rate, provided that the digital host has an acceptable hold time. After the 18<sup>th</sup> SCK falling edge or when CNV goes high (whichever occurs first), SDO returns to high impedance.

There must not be any digital activity on SCK during the conversion.

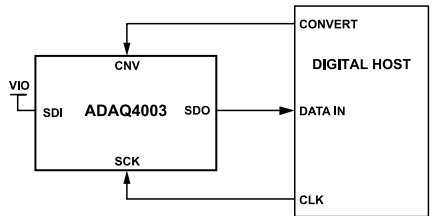


Figure 58.  $\overline{\text{CS}}$  Mode, 3-Wire Without Busy Indicator Connection Diagram (SDI High)

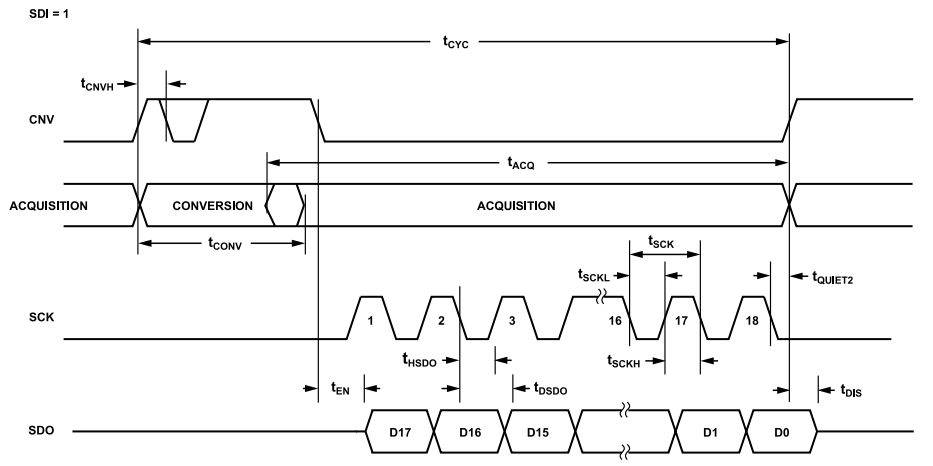


Figure 59.  $\overline{\text{CS}}$  Mode, 3-Wire Without Busy Indicator Serial Interface Timing Diagram (SDI High)

APPLICATIONS INFORMATION

**$\overline{CS}$  MODE, 3-WIRE WITH BUSY INDICATOR**

This mode is typically used when a single ADAQ4003 device is connected to an SPI-compatible digital host with an interrupt input ( $\overline{IRQ}$ ).

The connection diagram is shown in Figure 60, and the corresponding timing diagram is shown in Figure 61.

When SDI is connected to VIO, a rising edge on CNV initiates a conversion, selects the  $\overline{CS}$  mode, and forces SDO to high impedance. SDO is maintained in high impedance until the completion of the conversion irrespective of the state of CNV. Prior to the minimum conversion time, CNV can select other SPI devices, such as analog multiplexers. However, CNV must be returned low before the minimum conversion time elapses and then held low for the maximum possible conversion time to guarantee the generation of the busy signal indicator.

When the conversion completes, SDO goes from high impedance to low impedance. With a pull-up resistor of 1 k $\Omega$  on the SDO line,

this transition can be used as an interrupt signal to initiate the data reading controlled by the digital host. The ADAQ4003 then enters the acquisition phase and powers down. The data bits are then clocked out, MSB first, by subsequent SCK falling edges. The data is valid on both SCK edges. Although the rising edge can capture the data, a digital host using the SCK falling edge allows a faster reading rate, provided that the digital host has an acceptable hold time. After the optional 19<sup>th</sup> SCK falling edge or when CNV goes high (whichever occurs first), SDO returns to high impedance.

If multiple ADAQ4003 devices are selected at the same time, the SDO output pin handles this contention without damage or induced latch-up. Meanwhile, it is recommended to keep this contention as short as possible to limit extra power dissipation.

There must not be any digital activity on the SCK during the conversion.

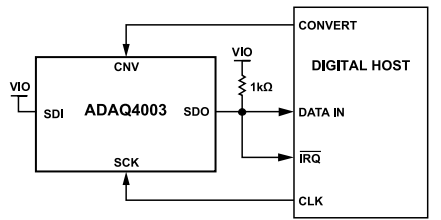


Figure 60.  $\overline{CS}$  Mode, 3-Wire with Busy Indicator Connection Diagram (SDI High)

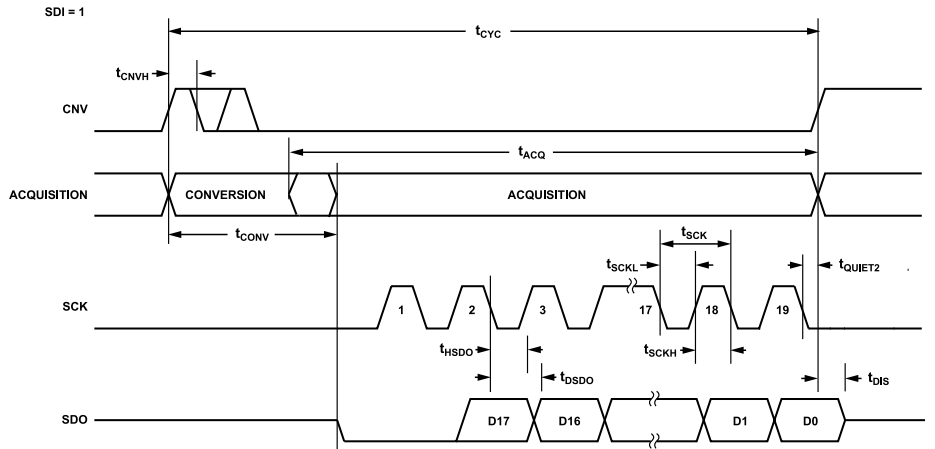


Figure 61.  $\overline{CS}$  Mode, 3-Wire with Busy Indicator Serial Interface Timing Diagram (SDI High)

APPLICATIONS INFORMATION

**$\overline{\text{CS}}$  MODE, 4-WIRE TURBO MODE**

This mode is typically used when a single ADAQ4003 is connected to an SPI-compatible digital host. This mode provides additional time during the end of the ADC conversion process to clock out the previous conversion result, giving a lower SCK rate. The ADAQ4003 can achieve a throughput rate of 2 MSPS only when turbo mode is enabled and using a minimum SCK rate of 75 MHz. The connection diagram is shown in Figure 62, and the corresponding timing diagram is shown in Figure 63.

This mode replaces the 4-wire with busy indicator mode by programming the turbo mode bit, Bit 1 (see Table 15).

With SDI high, a rising edge on CNV initiates a conversion. The previous conversion data is available to read after the CNV rising

edge. The user must wait  $t_{\text{QUIET1}}$  after CNV is brought high before bringing SDI low to clock out the previous conversion result. The user must also wait  $t_{\text{QUIET2}}$  after the last falling edge of SCK to when CNV is brought high.

When the conversion is complete, the ADAQ4003 enters the acquisition phase and powers down. The ADC result can be read by bringing its SDI input low, which consequently outputs the MSB onto SDO. The remaining data bits are then clocked by subsequent SCK falling edges. The data is valid on both SCK edges. Although the rising edge can capture the data, a digital host using the SCK falling edge allows a faster reading rate, provided that the digital host has an acceptable hold time. After the 18th SCK falling edge or when SDI goes high (whichever occurs first), SDO returns to high impedance.

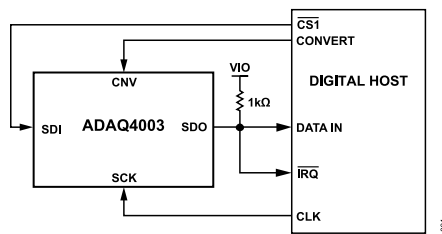


Figure 62.  $\overline{\text{CS}}$  Mode, 4-Wire Turbo Mode Connection Diagram

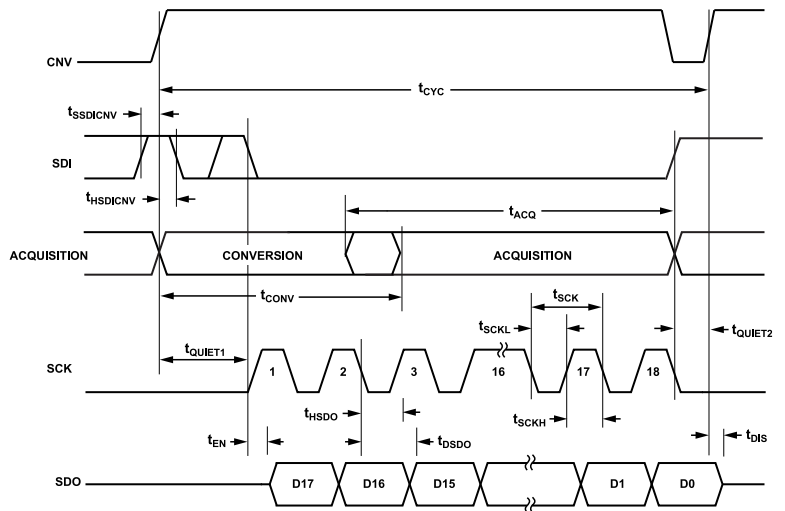


Figure 63.  $\overline{\text{CS}}$  Mode, 4-Wire Turbo Mode Timing Diagram

APPLICATIONS INFORMATION

**$\overline{CS}$  MODE, 4-WIRE WITHOUT BUSY INDICATOR**

This mode is typically used when multiple ADAQ4003 devices are connected to an SPI-compatible digital host.

A connection diagram example using two ADAQ4003 devices is shown in Figure 64, and the corresponding timing diagram is shown in Figure 65.

With SDI high, a rising edge on CNV initiates a conversion, selects the  $\overline{CS}$  mode, and forces SDO to high impedance. In this mode, CNV must be held high during the conversion phase and the subsequent data readback. If SDI and CNV are low, SDO is driven low. Prior to the minimum conversion time, SDI can select other SPI devices, such as analog multiplexers. However, SDI must be

returned high before the minimum conversion time elapses and then held high for the maximum possible conversion time to avoid the generation of the busy signal indicator.

When the conversion is complete, the ADAQ4003 enters the acquisition phase and powers down. Each ADC result can be read by bringing its SDI input low, which consequently outputs the MSB onto SDO. The remaining data bits are then clocked by subsequent SCK falling edges. The data is valid on both SCK edges. Although the rising edge can capture the data, a digital host using the SCK falling edge allows a faster reading rate, provided that the digital host has an acceptable hold time. After the 18<sup>th</sup> SCK falling edge or when SDI goes high (whichever occurs first), SDO returns to high impedance and another ADAQ4003 can be read.

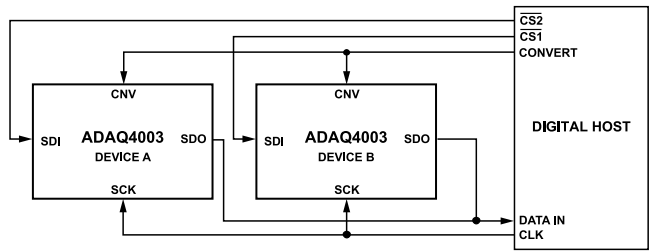


Figure 64.  $\overline{CS}$  Mode, 4-Wire Without Busy Indicator Connection Diagram

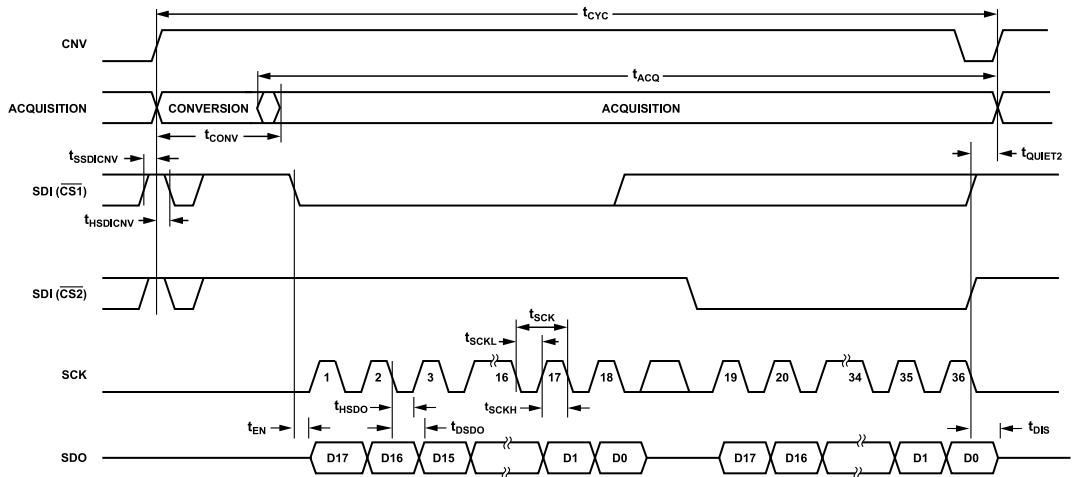


Figure 65.  $\overline{CS}$  Mode, 4-Wire Without Busy Indicator Serial Interface Timing Diagram

APPLICATIONS INFORMATION

**$\overline{CS}$  MODE, 4-WIRE WITH BUSY INDICATOR**

This mode is typically used when a single ADAQ4003 device is connected to an SPI-compatible digital host with an interrupt input ( $\overline{IRQ}$ ), and when it is desired to keep  $CNV$ , which samples the analog input, independent of the signal used to select the data reading. This independence is particularly important in applications where low jitter on  $CNV$  is desired.

The connection diagram is shown in Figure 66, and the corresponding timing diagram is shown in Figure 67.

With  $SDI$  high, a rising edge on  $CNV$  initiates a conversion, selects the  $\overline{CS}$  mode, and forces  $SDO$  to high impedance. In this mode,  $CNV$  must be held high during the conversion phase and the subsequent data readback. If  $SDI$  and  $CNV$  are low,  $SDO$  is driven low. Prior to the minimum conversion time,  $SDI$  can select other

SPI devices, such as analog multiplexers. However,  $SDI$  must be returned low before the minimum conversion time elapses and then held low for the maximum possible conversion time to guarantee the generation of the busy signal indicator.

When the conversion is complete,  $SDO$  goes from high impedance to low impedance. With a pull-up resistor of 1 k $\Omega$  on the  $SDO$  line, this transition can be used as an interrupt signal to initiate the data readback controlled by the digital host. The ADAQ4003 then enters the acquisition phase and powers down. The data bits are then clocked out, MSB first, by subsequent  $SCK$  falling edges. The data is valid on both  $SCK$  edges. Although the rising edge can capture the data, a digital host using the  $SCK$  falling edge allows a faster reading rate, provided that the digital host has an acceptable hold time. After the optional 19<sup>th</sup>  $SCK$  falling edge or when  $SDI$  goes high (whichever occurs first),  $SDO$  returns to high impedance.

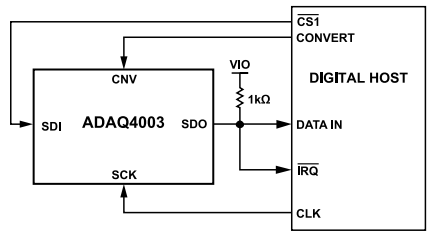


Figure 66.  $\overline{CS}$  Mode, 4-Wire with Busy Indicator Connection Diagram

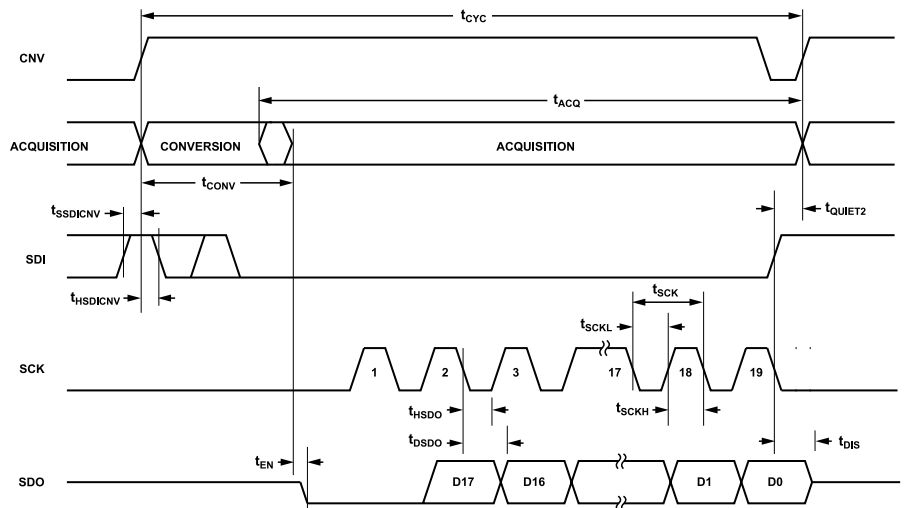


Figure 67.  $\overline{CS}$  Mode, 4-Wire with Busy Indicator Serial Interface Timing Diagram

APPLICATIONS INFORMATION

DAISY-CHAIN MODE

Use this mode to daisy-chain multiple ADAQ4003 devices on a 3-wire or 4-wire serial interface. This feature is useful for reducing component count and wiring connections, for example, in isolated multiconverter applications or for systems with a limited interfacing capacity. Data readback is analogous to clocking a shift register.

A connection diagram example using two ADAQ4003 devices is shown in Figure 68, and the corresponding timing diagram is shown in Figure 69.

When SDI and CNV are low, SDO is driven low. With SCK low, a rising edge on CNV initiates a conversion, selects daisy-chain mode, and disables the busy indicator. In this mode, CNV is held high during the conversion phase and the subsequent data readback. When the conversion is complete, the MSB is output onto SDO, and the ADAQ4003 enters the acquisition phase and powers down. The remaining data bits stored in the internal shift register are clocked out of SDO by subsequent SCK falling edges. For each ADC, SDI feeds the input of the internal shift register and is clocked by the SCK rising edges. Each ADC in the daisy-chain outputs its data MSB first, and  $18 \times N$  clocks are required to read

back the N ADCs. The data is valid on both SCK edges. The maximum conversion rate is reduced because of the total readback time.

It is possible to write to each ADC register in daisy-chain mode (see Figure 69). This mode requires 4-wire operation because data is clocked in on the SDI line with CNV held low. The same command byte and register data can be shifted through the entire chain to program all ADCs in the chain with the same register contents, which requires  $8 \times (N + 1)$  clocks for N ADCs. It is possible to write different register contents to each ADC in the chain by writing to the furthest ADC in the chain, first using  $8 \times (N + 1)$  clocks, and then the second furthest ADC with  $8 \times N$  clocks, and so forth until reaching the nearest ADC in the chain, which requires 16 clocks for the command and register data.

It is not possible to read register contents in daisy-chain mode. However, the six status bits can be enabled if the user wants to determine the ADC configuration. Note that enabling the status bits require six extra clocks to clock out the ADC result and the status bits per ADC in the chain. Turbo mode cannot be used in daisy-chain mode.

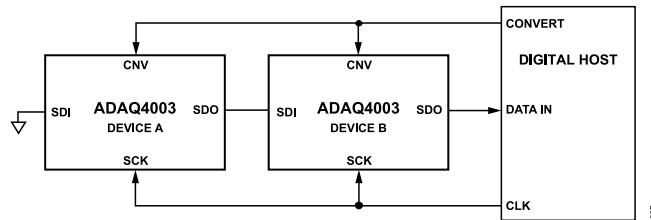


Figure 68. Daisy-Chain Mode Connection Diagram

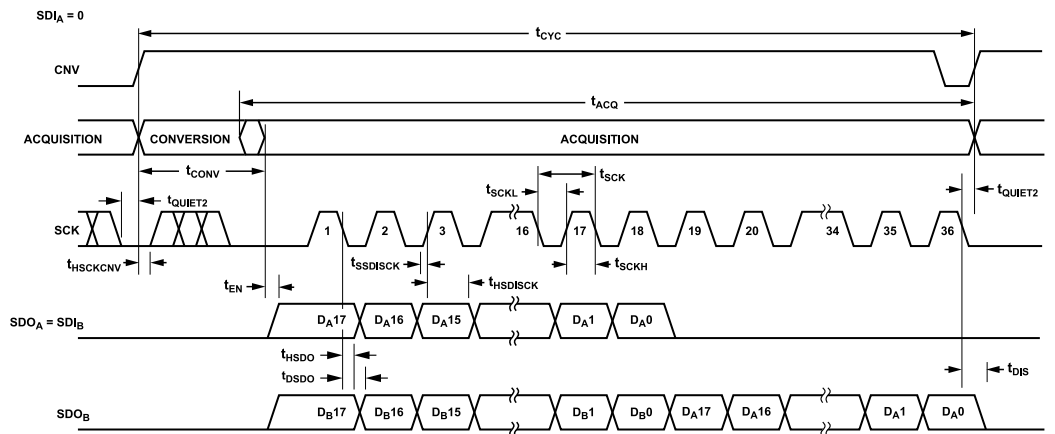


Figure 69. Daisy-Chain Mode Serial Interface Timing Diagram

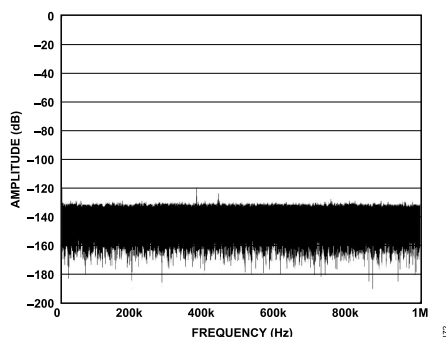
## APPLICATIONS INFORMATION

### LAYOUT GUIDELINES

The PCB layout is critical for preserving signal integrity and achieving the expected performance from the ADAQ4003. It is recommended to design a multilayer board with an internal, clean ground plane and a separate power plane to route various supply rails beneath the ADAQ4003. Care must be taken with the placement of individual components and routing of various signals on the board. It is highly recommended to route input and output signals symmetrically while keeping the power supply circuitry away from the analog signal path. Keep the sensitive analog and digital sections separate and confined to certain areas of the board and avoid crossover of digital and analog signals.

The pinout of the ADAQ4003 eases the layout and allowing its analog signals on the left side and its digital signals on the right side. Fast switching signals, such as CNV or clocks, must not run near or crossover analog signal paths to prevent noise coupling to the ADAQ4003. Remove the ground and power planes beneath the input and output pins of ADAQ4003 to avoid undesired parasitic capacitance, especially underneath summing junction nodes (IN+ and IN-) and any floating inputs. Any undesired parasitic capacitance on the summing junction nodes tends to reduce the phase margin of the FDA and impact the distortion and linearity performance of the ADAQ4003.

The ADAQ4003 enables high channel density PCB layout by incorporating all the necessary decoupling ceramic capacitors for the reference and power supply (REF, VS+, VS-, VDD, and VIO) pins to provide a low impedance path to ground at high frequencies and to handle the transient currents so that the additional external decoupling capacitors are not required without causing any performance impact or electromagnetic interference (EMI) issues, saving board space. This performance impact was verified on the [EVAL-ADAQ4003FMCZ](#) by removing the external decoupling capacitors on the output of reference and LDO regulators that generate the on-board rails (REF, VS+, VS-, VDD, and VIO). [Figure 70](#) shows that any spurs are buried well below -120 dB in the noise floor whether the external decoupling capacitors are used or removed. The recommended board layout is outlined in the [EVAL-ADAQ4003FMCZ](#) user guide.



*Figure 70. FFT with Shorted Inputs*

OUTLINE DIMENSIONS

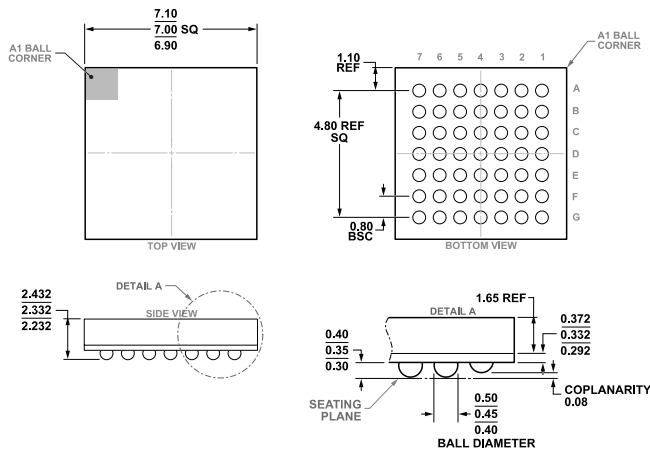


Figure 71. 49-Ball Chip Scale Package Ball Grid Array [CSP\_BGA] (BC-49-5)  
Dimensions shown in millimeters

Updated: December 01, 2021

ORDERING GUIDE

Model <sup>1</sup>	Temperature Range	Package Description	Packing Quantity	Package Option
ADAQ4003BBCZ	-40°C to +125°C	49-Ball CSPBGA (7mm x 7mm)	Tray, 416	BC-49-5
ADAQ4003BBCZ-RL13	-40°C to +125°C	49-Ball CSPBGA (7mm x 7mm)	Reel, 2000	BC-49-5

<sup>1</sup> Z = RoHS Compliant Part.

EVALUATION BOARDS

Model <sup>1, 2</sup>	Description
EVAL-ADAQ4003FMCZ	Evaluation Board Kit

<sup>1</sup> Z = RoHS Compliant Part.

<sup>2</sup> The EVAL-ADAQ4003FMCZ evaluation board kit is compatible with the EVAL-SDP-CH1Z. See the UG-1533 for more details.

## Looking for pricing, stock, or lifecycle information?

Click below to explore more details on WIN SOURCE:

- ⊖ [View ADAQ4003BBCZ-RL13 on WIN SOURCE](#)
- ⊖ [Analog Devices Inc. Information](#)

## Optimize Your Supply Chain with WIN SOURCE Solutions

- ✓ Global Sourcing Solution
- ✓ Obsolete Management
- ✓ Cost Control Management
- ✓ Shortage Management
- ✓ Alternative Solution
- ✓ Excess Inventory Management