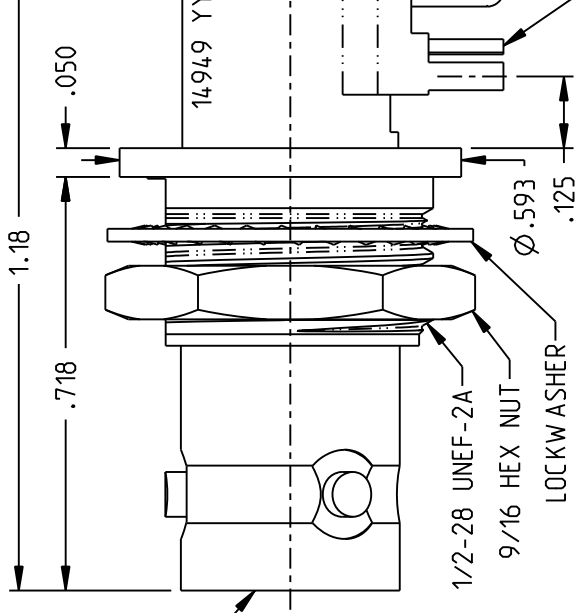
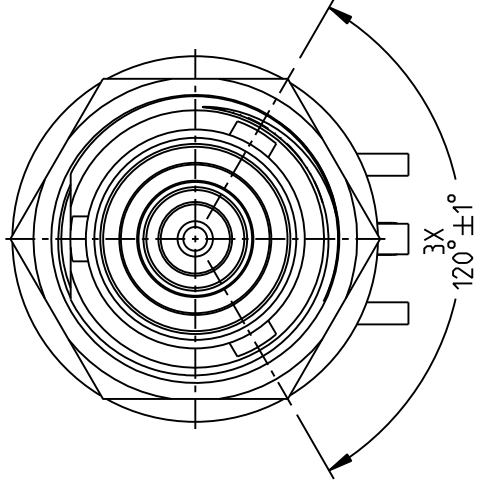




THE DATASHEET OF CBBJR79



TROMPETER MODEL NO.	Ø "A"	Ø "B"
CBBJR79	.24	.063
CBBJR79A	.34	.070

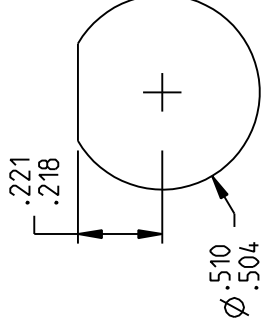
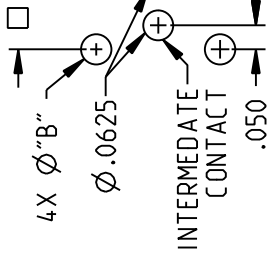


TRB JACK INTERFACE
PER MIL-STD-348
FIGURE 201-2

CBBJR79_SHOWN

NOTES: UNLESS OTHERWISE SPECIFIED:

1. MATERIAL & FINISH:
 - 1.1 BODY: TIN PLATED BRASS
 - 1.2 INSULATOR & DIELECTRIC: PTFE (TEFLON)
 - 1.3 INTERMEDIATE CONTACT: GOLD PLATED BRASS
 - 1.4 CENTER CONTACT: GOLD PLATED BERYLLIUM COPPER
 - 1.5 MOUNTING HARDWARD: TIN PLATED COPPER ALLOY
2. ELECTRICAL:
 - 2.1 FREQUENCY (MAX): 500 MHZ
 - 2.2 IMPEDANCE: NON-CONSTANT
3. PANEL NUT TORQUE (MAX): 35 INCH POUNDS
4. PANEL THICKNESS (MAX): .125



RECOMMENDED
PANEL CUTOUT

	NOTICE: The information in this drawing is for reference only and may not be used without the permission of the manufacturer. If it may contain data whose export is restricted, verify status prior to exporting.		R0HS2
			2015/863/EU UNLESS OTHERWISE SPECIFIED UNITS: INCH
INTERMEDIATE CONTACT DRAWING IN ACCORDANCE WITH ASME Y14.5-2018		.XX ±.02 .XXX ±.010 ANGLES ±2	

Looking for pricing, stock, or lifecycle information?

Click below to explore more details on WIN SOURCE:

- ⊖ [View CBBJR79 on WIN SOURCE](#)
- ⊖ [Cinch Connectivity Solutions Information](#)

Optimize Your Supply Chain with WIN SOURCE Solutions

- ✓ Global Sourcing Solution
- ✓ Obsolete Management
- ✓ Cost Control Management
- ✓ Shortage Management
- ✓ Alternative Solution
- ✓ Excess Inventory Management