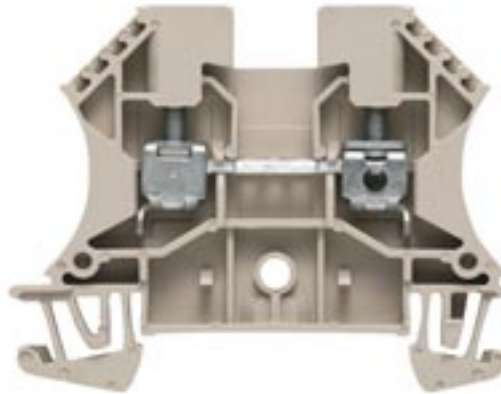
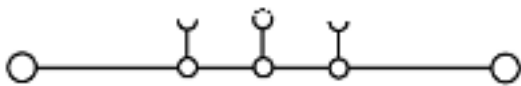




**THE DATASHEET OF
1020100000**





General ordering data

Order No.	1020100000
Part designation	WDU 4
Version	Feed-through terminal, 4 mm ² , Screw connection, Wemid, dark beige, TS 35
EAN	4008190150617
Qty.	100 pc(s).

Product notes

Note, ordering data	Rated voltage 400V when using cross-connection ZQV. See section "W-series accessories" for colours available.
Note, technical data	Note max. current of terminal (41 A) when using WQV!
Product description	Their small size compared to the respective rated cross-section makes the modular terminals with the compact design very popular.
Function	
Note, accessories	Socket and test plug, see section "W Series accessories". Shielding rail LS 2.8 1056400000.

PT OKIECEEx/ATEX rating data

EU-type examination certificate	KEMA98ATEX1683U
Download, German	KEMA98ATEX1683U_d.pdf
Download English	KEMA98ATEX1683U_e.pdf
IECEX Certificate of Conformity	IECEXULD05.0008U
Download	IECEXULD05.0008U_e.pdf
ATEX voltage	690 V
ATEX current	28 A
ATEX conductor cross-section	4 mm ²
IECEX voltage	690 V
IECEX current	28 A
IECEX conductor cross-section	4 mm ²
Voltage when using cross-connections	CrossConnectionGuide.pdf

PT OKIECEx/ATEX rating data

Operating temperature range	For operating temperature range see EC Design Test Certificate / IEC Ex-Certificate of Conformity
Marking EN 60079-7	Ex e II
Marking ATEX Directive 94/9/EC	Ex II 2 G D

2 clampable conductors (H05V/H07V) with equal cross-section (rated connection)

Solid, min.	0.5 mm ²
Solid, max.	2.5 mm ²
Flexible, min.	0.5 mm ²
Flexible, max.	1.5 mm ²
Flexible with ferrule, min. (DIN 46228 pt 1)	0.5 mm ²
Flexible with ferrule, max. (DIN 46228 pt 1)	1.5 mm ²

Additional technical data

Colour of insulating material	dark beige
Connection direction	on side
End plate required	Yes
Explosion-tested version "Ex e"	Yes
Installation advice	TS 35
Insulating material	Wemid
Levels cross-connected internally	No
No. of identical terminals	1
No. of levels	1
No. of terminal strips per level	2
Open sides	right
Operating temperature range	- 50 °C, + 120 °C
Product family	W-Series
Type of connection	Screwed
Type of mounting	Snap-on
UL 94 flammability rating of insulation material	V-0
Version	Feed-through terminal

CSA rating data

Voltage (CSA)	600 V
CSA current	35 A
Min. cross-section (CSA)	AWG 26
Max. cross-section (CSA)	AWG 10

Conductors for clamping (rated connection)

Clamping range, min.	0.13 mm ²
Clamping range, max.	6 mm ²
Type of connection	Screw connection
2nd type of connection	screwed
Connection direction	on side
No. of connections	2
Stripping length	10 mm
Clamping screw	M 3
Blade size	0.6 x 3.5 mm
Tightening torque range	0.5...1.0 Nm
Torque level with DMS electric screwdriver	2

Conductors for clamping (rated connection)

Gauge to IEC 60947-1	A4
Solid, min.	0.5 mm ²
Solid, max.	6 mm ²
Stranded, min.	1.5 mm ²
Stranded, max.	6 mm ²
Flexible, min.	0.5 mm ²
Flexible, max.	6 mm ²
Flexible with ferrule, min. (DIN 46228/1)	0.5 mm ²
Flexible with ferrule, max. (DIN 46228/1)	4 mm ²
Flexible, min., ferrule with plastic collar (DIN 46228 pt 4)	0.5 mm ²
Flexible, max., ferrule with plastic collar (DIN 46228 pt 4)	4 mm ²
Twin wire-end ferrule, min.	0.5 mm ²
Twin wire end ferrule, max.	2.5 mm ²
AWG conductor size, min.	AWG 26
AWG conductor size, max.	AWG 10
AWG conductor size, min.	0.13 mm ²
AWG conductor size, max.	5.26 mm ²

Dimensions

Width	6.1 mm
Height of lowest version	47 mm
Length	60 mm
Weight	10.4 g
TS 35 offset	32 mm

Disconnect terminals

Torque level with DMS electric screwdriver	2
--	---

Rating data

Rated cross-section	4 mm ²
Rated voltage	800 V
Rated impulse voltage	8 kV
Rated current	32 A
Standards	IEC 60947-7-1
Current with max. conductor	41 A
Pollution severity	3

UL rating data

Voltage (UL)	600 V
Current (UL)	35 A
Min. cross-section (UL)	AWG 22
Max. cross-section (UL)	AWG 10

Approvals

Approvals institutes



Downloads

DXF	09253_WDU_4_DXF.dxf
STEP	1020100000_09253_WDU_4_STP.stp

Classifications

ETIM 2.0	EC000897
ETIM 3.0	EC000897
eClass 4.1	27-14-11-20
eClass 5.0	27-14-11-20
eClass 5.1	27-14-11-20

Similar products

Order No.	Part designation	Version
1020180000	WDU 4 BL	Feed-through terminal, 4 mm ² , Screw connection, Wemid, blue, TS 35
1037810000	WDU 4 BR	Feed-through terminal, 4 mm ² , Screw connection, Wemid, brown, TS 35
1020120000	WDU 4 GE	Feed-through terminal, 4 mm ² , Screw connection, Wemid, yellow, TS 35
1020160000	WDU 4 GN	Feed-through terminal, 4 mm ² , Screw connection, Wemid, green, TS 35
1037800000	WDU 4 GR	Feed-through terminal, 4 mm ² , Screw connection, Wemid, grey, TS 35
1036760000	WDU 4 OR	Feed-through terminal, 4 mm ² , Screw connection, Polyamide, Orange, TS 35
1020140000	WDU 4 RT	Feed-through terminal, 4 mm ² , Screw connection, Wemid, red, TS 35
1020110000	WDU 4 SW	Feed-through terminal, 4 mm ² , Screw connection, Wemid, black, TS 35
1036700000	WDU 4 WS	Feed-through terminal, 4 mm ² , Screw connection, Wemid, white, TS 35

1021000000	WDU 4/10	Feed-through terminal, 4 mm ² , Screw connection, Wemid, dark beige, TS 35
1020900000	WDU 4/10/BEZ	Feed-through terminal, 4 mm ² , Screw connection, Wemid, dark beige, TS 35
1905140000	WDU 4/ZR	Feed-through terminal, 4 mm ² , Screw connection, Wemid, dark beige, TS 35
1905060000	WDU 4/ZZ	Feed-through terminal, 4 mm ² , Screw connection, Wemid, dark beige, TS 35

Looking for pricing, stock, or lifecycle information?

Click below to explore more details on WIN SOURCE:

 [View 1020100000 on WIN SOURCE](#)

 [Weidmuller Information](#)

Optimize Your Supply Chain with WIN SOURCE Solutions

-  Global Sourcing Solution
-  Obsolete Management
-  Cost Control Management
-  Shortage Management
-  Alternative Solution
-  Excess Inventory Management