



**THE DATASHEET OF  
ABM8G-106-12.000MHZ-T**



# ULTRA MINIATURE CERAMIC GLASS SEALED SMD CRYSTAL



ABM8G-106-12.000MHZ-T

Pb IN GLASS EXEMPTION 7 (C)-I PER  
RoHS II 2011/65/EU ANNEX

3.2 x 2.5 x 1.0mm  
RoHS/RoHS II Compliant

MSL = N/A: NOT APPLICABLE

## FEATURES

- Low in height; suitable for thin equipment
- Glass sealed package assures high reliability and high temperature operation
- IR reflow capable
- Low cost version of ABM8 crystal

## APPLICATIONS

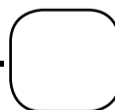
- Automotive applications
- High density applications
- Modems, communication and test equipment.
- PCMCIA, Wireless applications

## KEY ELECTRICAL SPECIFICATIONS

Parameters	Minimum	Typical	Maximum	Units	Notes
Frequency Range	12.000			MHz	
Operation Mode	Fundamental				
Operating Temperature Range	-40		+85	°C	
Storage Temperature	-40		+85	°C	
Frequency Tolerance @ +25°C	-20		+20	ppm	
Frequency Stability over the Operating Temperature ( ref. to +25°C)	-30		+30	ppm	
Equivalent series resistance (R1)			120	Ω	
Shunt capacitance (C0)			5.0	pF	
Load capacitance (CL)	10			pF	
Drive Level		10	100	μW	
Aging@25°C±3°C			±3	ppm	First year
Insulation Resistance	500			MΩ	@ 100Vdc ± 15V

## PART IDENTIFICATION

ABM8G-106-12.000MHZ-



Packaging
Blank: Bulk
T: 1kpcs / reel
T3: 3kpcs / reel

# ULTRA MINIATURE CERAMIC GLASS SEALED SMD CRYSTAL



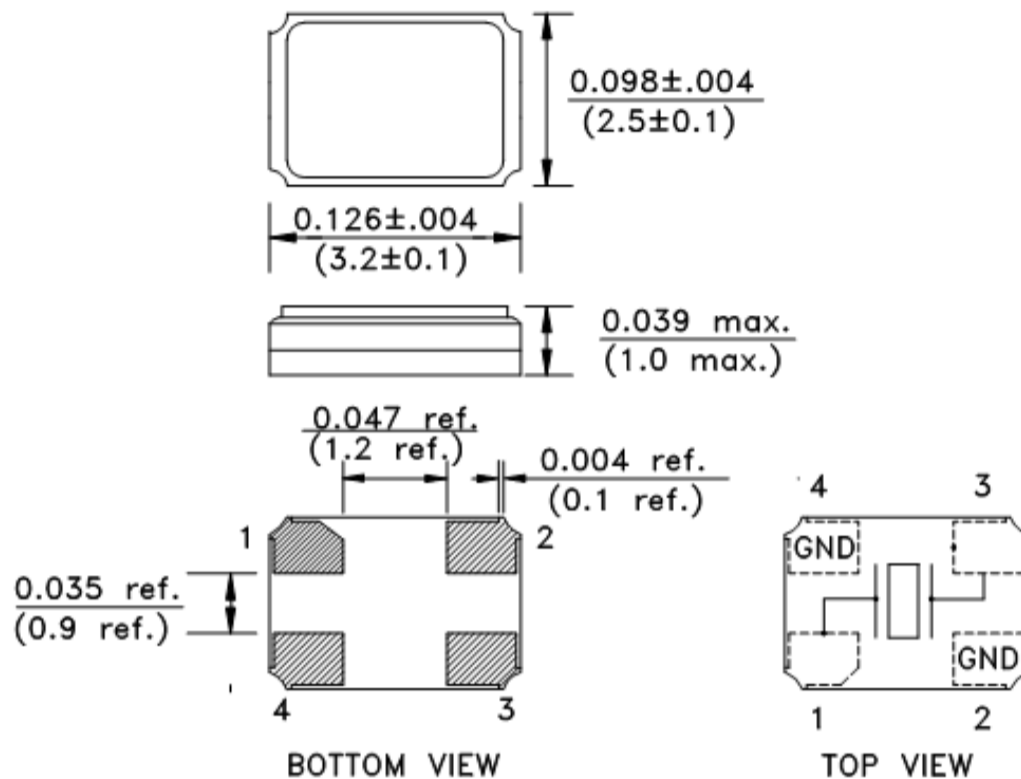
ABM8G-106-12.000MHZ-T

PB IN GLASS EXEMPTION 7 (C)-I PER  
RoHS II 2011/65/EU ANNEX

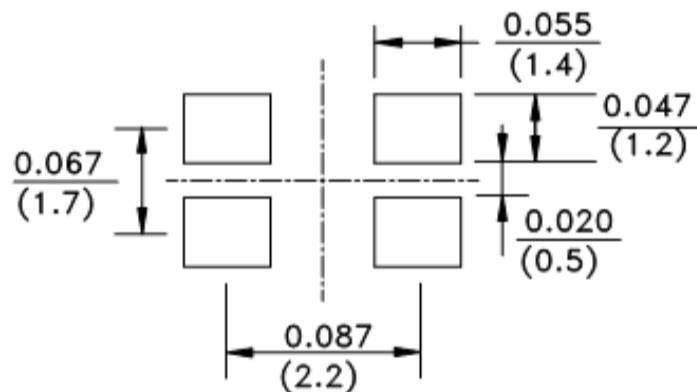
3.2 x 2.5 x 1.0mm  
RoHS/RoHS II Compliant

MSL = N/A: NOT APPLICABLE

## MECHANICAL DIMENSIONS



### Recommended land pattern



Dimensions: inches (mm)

Note: Due to the availability of raw materials, this part may be manufactured with the chamfer on pin 4. Be advised that this does not affect the electrical characteristics of the crystal in any way.

SEALING METHOD = GLASS SEALING

# ULTRA MINIATURE CERAMIC GLASS SEALED SMD CRYSTAL



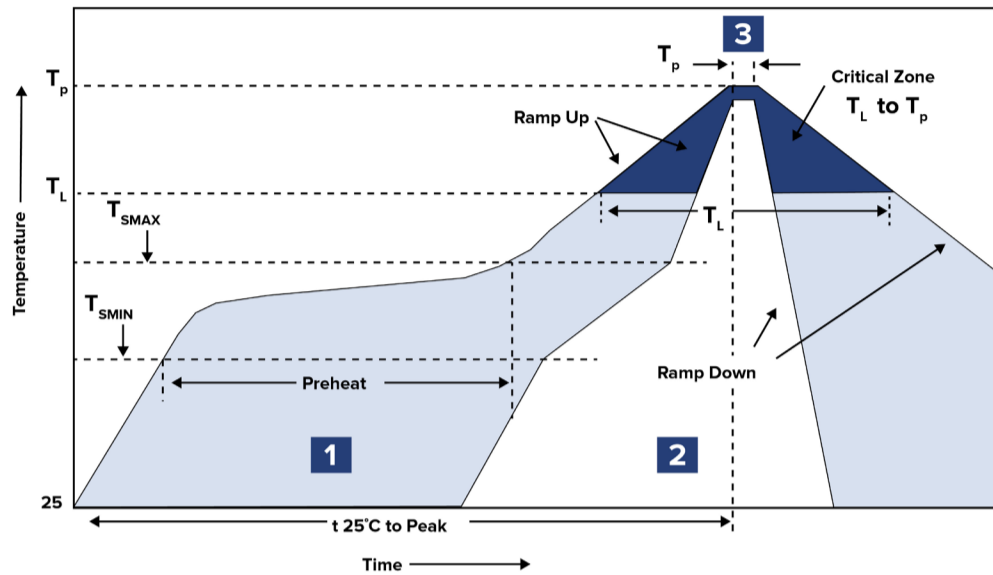
ABM8G-106-12.000MHZ-T

PB IN GLASS EXEMPTION 7 (C)-I PER  
RoHS II 2011/65/EU ANNEX

3.2 x 2.5 x 1.0mm  
RoHS/RoHS II Compliant

MSL = N/A: NOT APPLICABLE

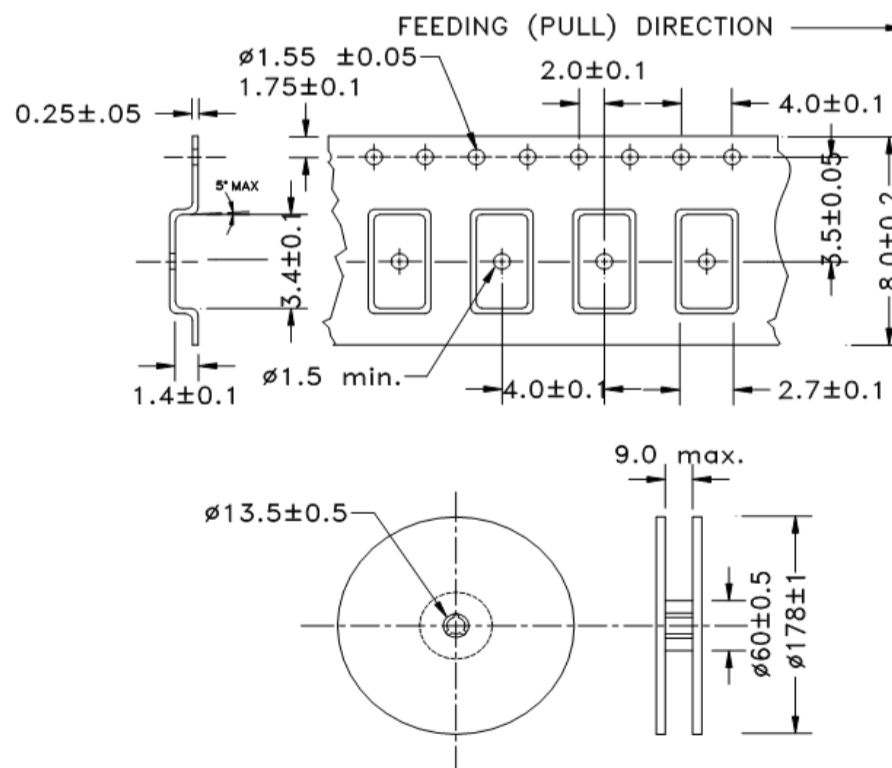
## REFLOW PROFILE



Zone	Description	Temperature	Time
1	Preheat / Soak	$T_{SMIN} \sim T_{SMAX}$ 150°C ~ 180°C	60 ~ 120 sec.
2	Reflow	$T_L$ 230°C	30 ~ 40 sec.
3	Peak Heat	$T_p$ 260°C ±5°C	10 sec. MAX.

## PACKAGING:

T: Tape and reel (1,000 pcs/reel)  
T3: Tape and reel (3,000 pcs/reel)



Dimensions: mm

## Looking for pricing, stock, or lifecycle information?

Click below to explore more details on WIN SOURCE:

- [View ABM8G-106-12.000MHZ-T on WIN SOURCE](#)
- [Abracon LLC Information](#)

## Optimize Your Supply Chain with WIN SOURCE Solutions

- ✓ Global Sourcing Solution
- ✓ Obsolete Management
- ✓ Cost Control Management
- ✓ Shortage Management
- ✓ Alternative Solution
- ✓ Excess Inventory Management