



# THE DATASHEET OF CR9521-20

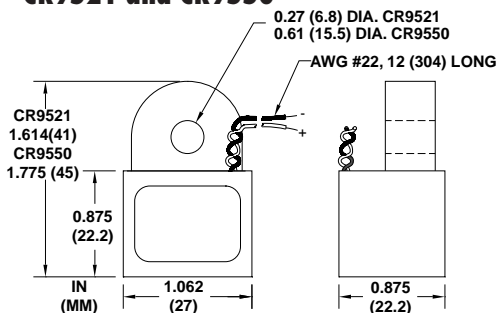


# Current Sensor

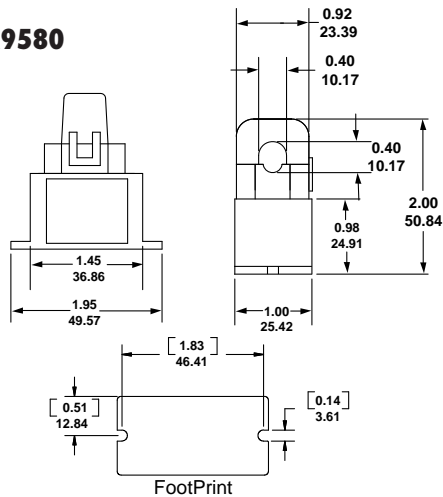


## OUTLINE DRAWING

### CR9521 and CR9550



### CR9580



## PART NUMBER

CR									
----	--	--	--	--	--	--	--	--	--

<b>9521</b>	.27" dia. Window
<b>9550</b>	.61" dia. Window
<b>9580</b>	.40" Splitcore

INPUT RANGE
10
20
50

M	Mounting Case (optional)
---	--------------------------

The **CR9500** Series Current Sensors provides a cost effective method for monitoring electrical current. The sensor generates a 0-5 VDC signal proportional to the input AC current. The output signal is average sensing, calibrated to RMS. The sensor is used with process control and industrial instrumentation equipment. Especially suited for OEM applications that require a low cost solution for numerous monitoring locations. The DC output can be connected directly to an analog input connection without additional signal conditioning. Care must be taken to ensure the burden impedance of the instrumentation is greater than 1.0 megohm. The unit will operate with lower burden impedance but at reduced accuracy.

### Applications

OEM Current Sensing  
Home Automation  
Monitor Motor Operation

### Features

Low Cost  
Low Fixed Trip Point  
Fully Isolated, Reverse Polarity Protected  
Self-Powered  
Available in Mountable Package  
Output Overload Protected

### Specifications

Accuracy:  $\pm 0.5\%$  Full Scale (FS)  
Ripple: 1% Max  
Signal Out: 0-5 VDC  
Max. Signal Out: 12 VDC  
Frequency \* : 50 to 400 Hz  
Insulation Class: 600 V  
Operating Temperature: -30 C to + 60 C  
Storage Temperature: -55 C to + 85 C  
Shipping Weight: 2 oz. (.06 Kg.)  
Dielectric Withstand: 2,500 Vrms  
Response Time: 250 ms. max. 10-90% FS  
Calibration: Avg. Sensing, RMS Calibrated  
Output Load: 1.0 Megohm or greater for rated accuracy  
Weight 0.11 LBS.  
\* All specifications for operation at 60 Hz

### Regulatory Agencies



## Looking for pricing, stock, or lifecycle information?

Click below to explore more details on WIN SOURCE:

 [View CR9521-20 on WIN SOURCE](#)

 [CR Magnetics Inc. Information](#)

## Optimize Your Supply Chain with WIN SOURCE Solutions

-  Global Sourcing Solution
-  Obsolete Management
-  Cost Control Management
-  Shortage Management
-  Alternative Solution
-  Excess Inventory Management