



# THE DATASHEET OF CRPS24VDC-120



# AC/DC Power Supply

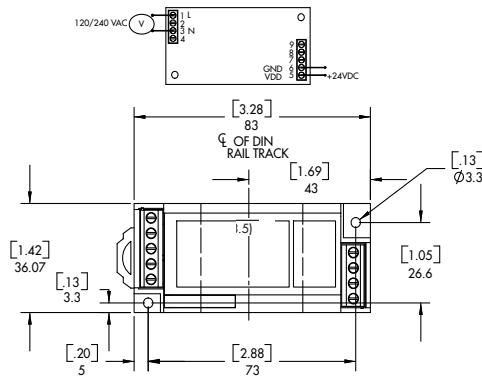


The **CRPS24VDC** Series Power supplies are designed to meter CR Magnetics digital and analog transducers. These switched mode power supplies are compact and efficient with a modern clean looking case.

## Features

- 35mm DIN Rail or Panel Mount
- Available with 120VAC/VDC and 240VAC/VDC
- Input 24 VDC Powered
- Use with CR Magnetics Transducers
- Highest precision available
- Connection diagram printed on case

## Regulatory Agencies



## CONNECTION DIAGRAM

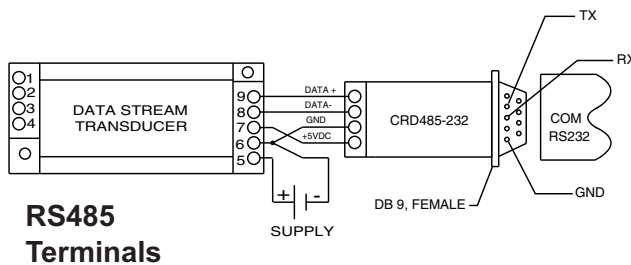
Specifications	
Input Voltage	120V,240V±10% 50/60Hz
Rated Output	400mA
Output Voltage	+24VDC
Output Ripple	15 mV @ Full Load

## PART NUMBERS

CRPS24VDC	-		Power Supply

- 120 - 120V Power Supply
- 240 - 240V Power Supply
- with 24 VDC Output

**CRD485-232**  
RS485 to RS232 Converter Accessory  
Connect PC to RS485 Bus



B  
Data Stream

## Looking for pricing, stock, or lifecycle information?

Click below to explore more details on WIN SOURCE:

 [View CRPS24VDC-120 on WIN SOURCE](#)

 [CR Magnetics Inc. Information](#)

## Optimize Your Supply Chain with WIN SOURCE Solutions

-  Global Sourcing Solution
-  Obsolete Management
-  Cost Control Management
-  Shortage Management
-  Alternative Solution
-  Excess Inventory Management