

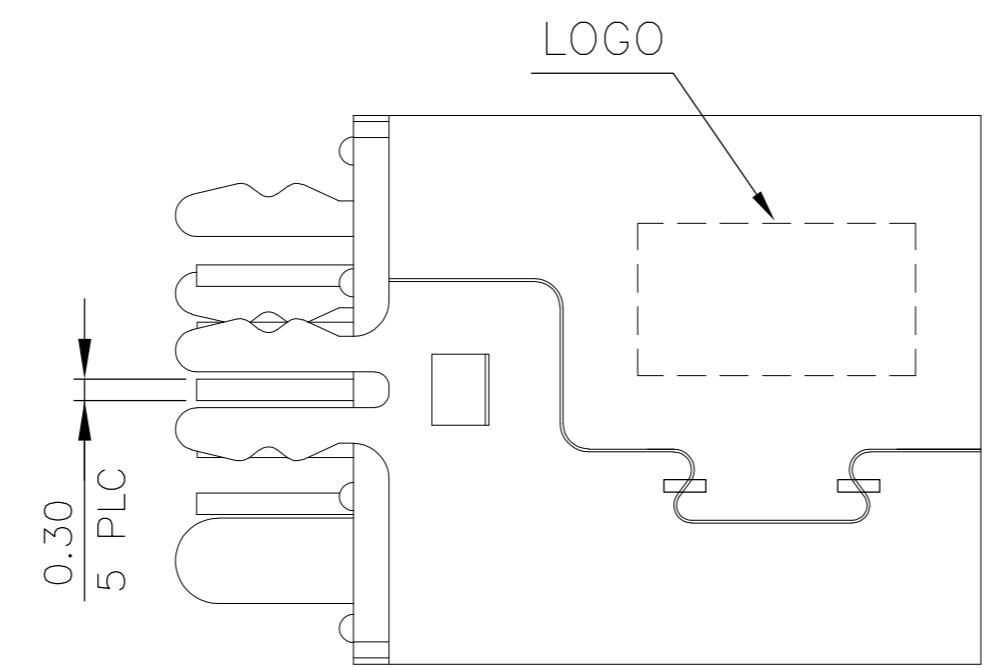
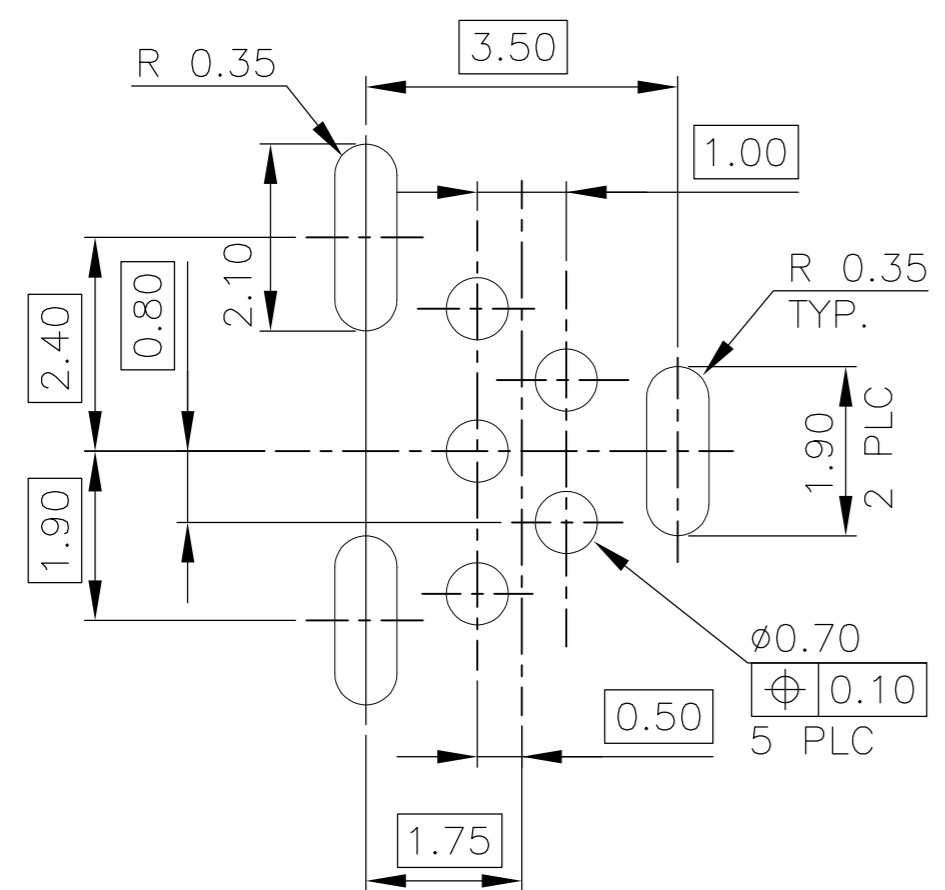
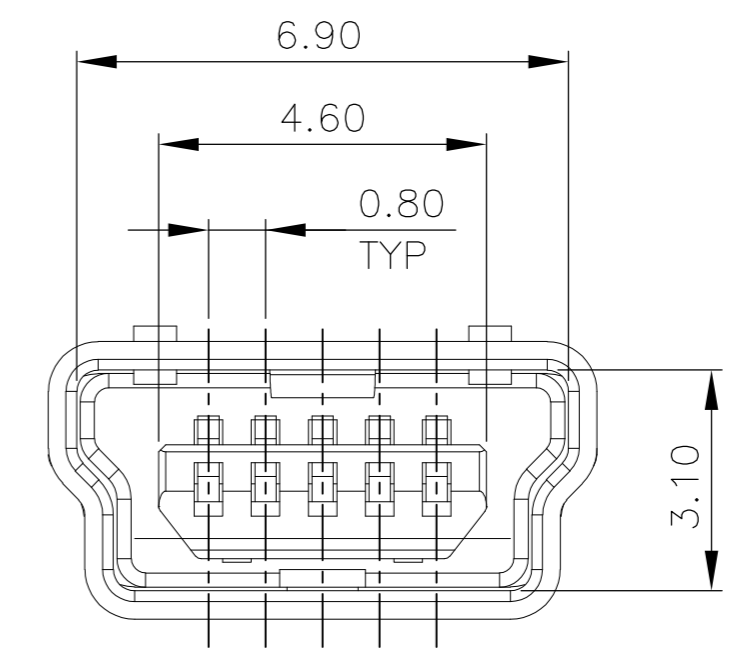
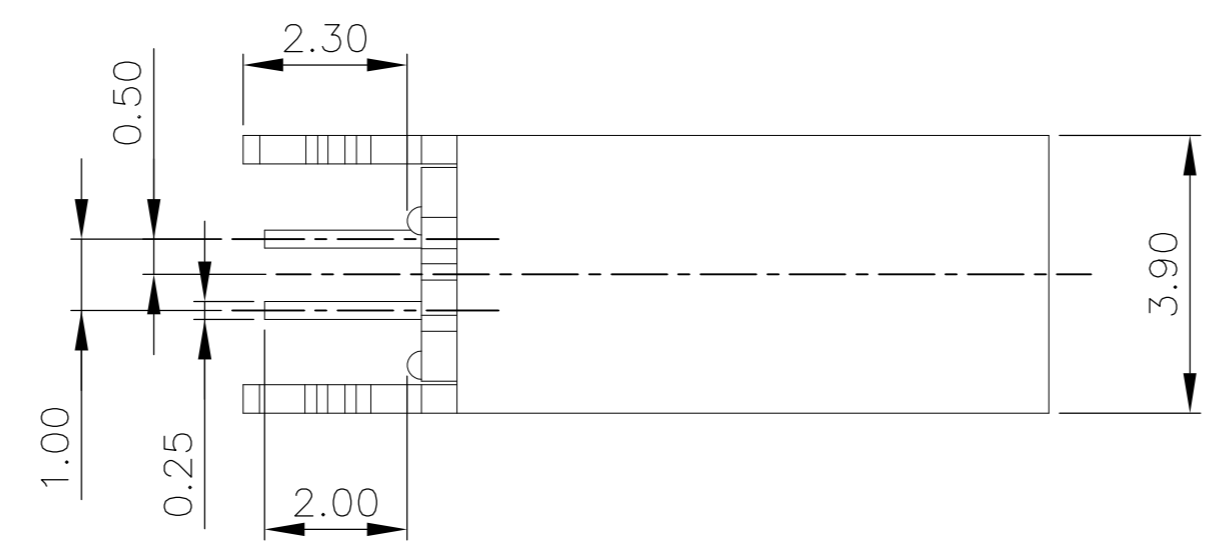
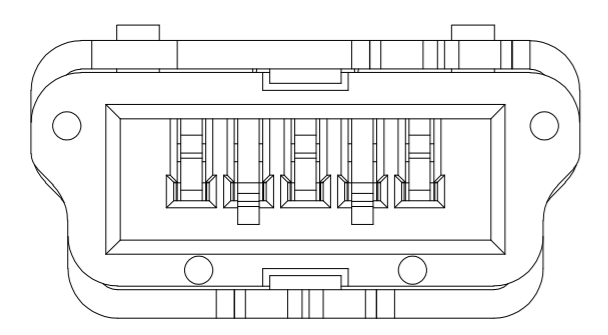
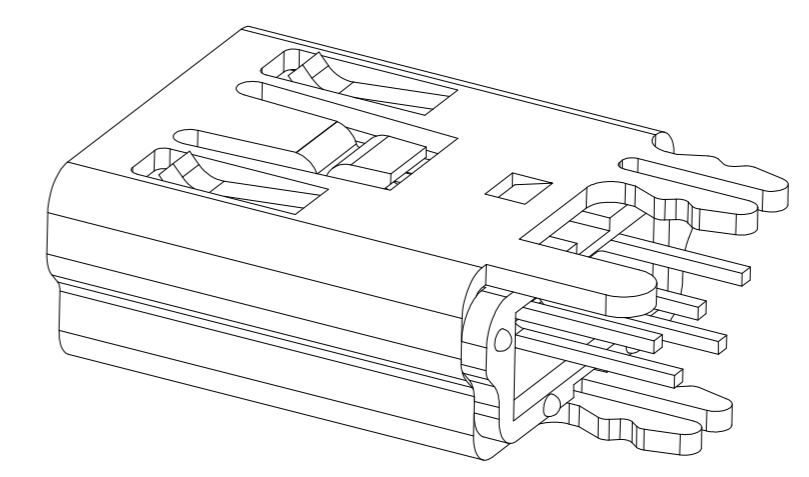
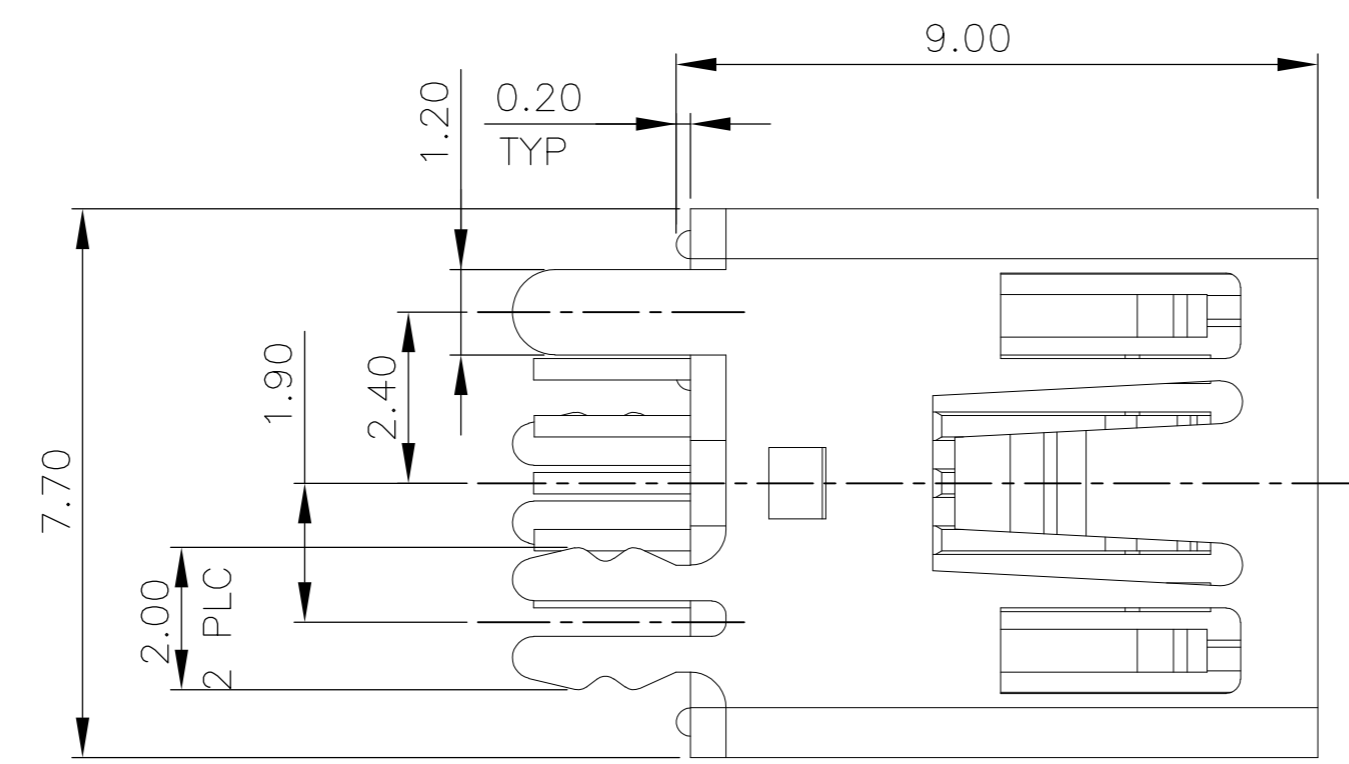


THE DATASHEET OF
1734753-1



THIS DRAWING IS UNPUBLISHED. RELEASED FOR PUBLICATION
 © COPYRIGHT 2011 BY TYCO ELECTRONICS CORPORATION. ALL RIGHTS RESERVED.

LOC		DIST		REVISIONS			
P	LTR	DESCRIPTION		DATE	DWN	APVD	
	A3	REVISED (ECR-16-010649), ADD PN		25JUL'16	A.X.	H.W.	



NOTE:

- MATERIAL:
 HOUSING: THERMOPLASTIC, UL 94V-0 COLOR: BLACK.
 CAP: LCP E130i , COLOR:BLACK.
 CONTACT: PHOSPHOR BRONZE, THICKNESS: 0.25mm.
 SHIELD: PHOSPHOR BRONZE, THICKNESS: 0.40mm.
- FINISH:
 CONTACT: GOLD FLASH OVER
 30u" MIN. PALLADIUM-NICKEL PLATING ON CONTACT AREA,
 100u" MIN. MATTE-TIN PLATED ON SOLDER TAILS
 50u" MIN. NICKEL UNDERPLATED ALL OVER.
 SHIELD: 100u" MIN. BRIGHT TIN PLATED OVER 50u" MIN. NICKEL
 UNDERPLATED ALL OVER.
- WAVE SOLDER CAPABLE TO 240°C PER
 TE SPEC 109-202, CONDITION A (FOR 1734753-1).

SEE SHEET3	YES	1734753-2
SEE SHEET3	NO	1734753-1
PACKING	REFLOW CAPABLE	PART NUMBER

RECOMMENDED PCB LAYOUT (THICKNESS: 1.6MM)
 (DIMENSION TOLERANCE: 1 PLC: ±0.1 2PLC: ±0.05)

THIS DRAWING IS A CONTROLLED DOCUMENT.		DWN O. HU 10MAR2005	TE Connectivity	
DIMENSIONS: mm		CHK S. HOU 10MAR2005		
TOLERANCES UNLESS OTHERWISE SPECIFIED:		APVD W.J. KE 10MAR2005	NAME	
0 PLC ± - 1 PLC ± 0.25 2 PLC ± 0.20 3 PLC ± - 4 PLC ± - ANGLES ± 3°		PRODUCT SPEC 108-57509	MINI USB CONN., RCPT V/T, DIP, B TYPE	
MATERIAL SEE NOTE		APPLICATION SPEC	SIZE	RESTRICTED TO
FINISH SEE NOTE		WEIGHT 0.789 GRAMS	CAGE CODE A300779	DRAWING NO C-1734753
CUSTOMER DRAWING		SCALE -	SHEET 1 OF 4	REV A3

THIS DRAWING IS UNPUBLISHED.

RELEASED FOR PUBLICATION

© COPYRIGHT 2011 BY TYCO ELECTRONICS CORPORATION.

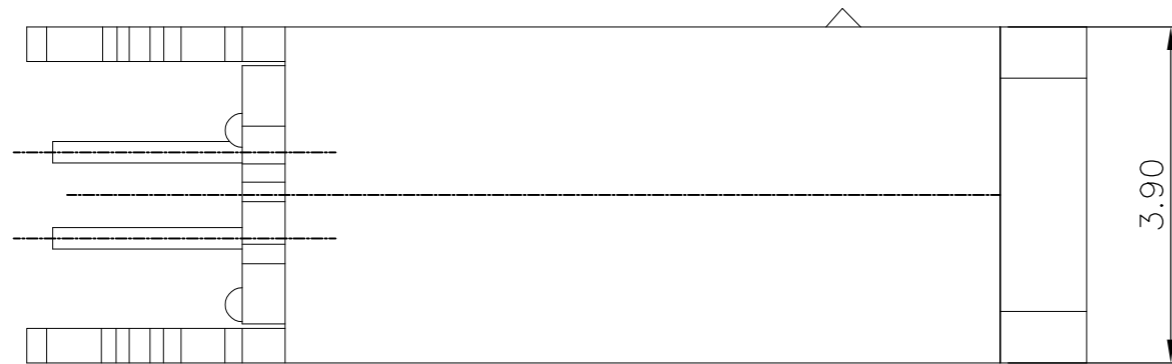
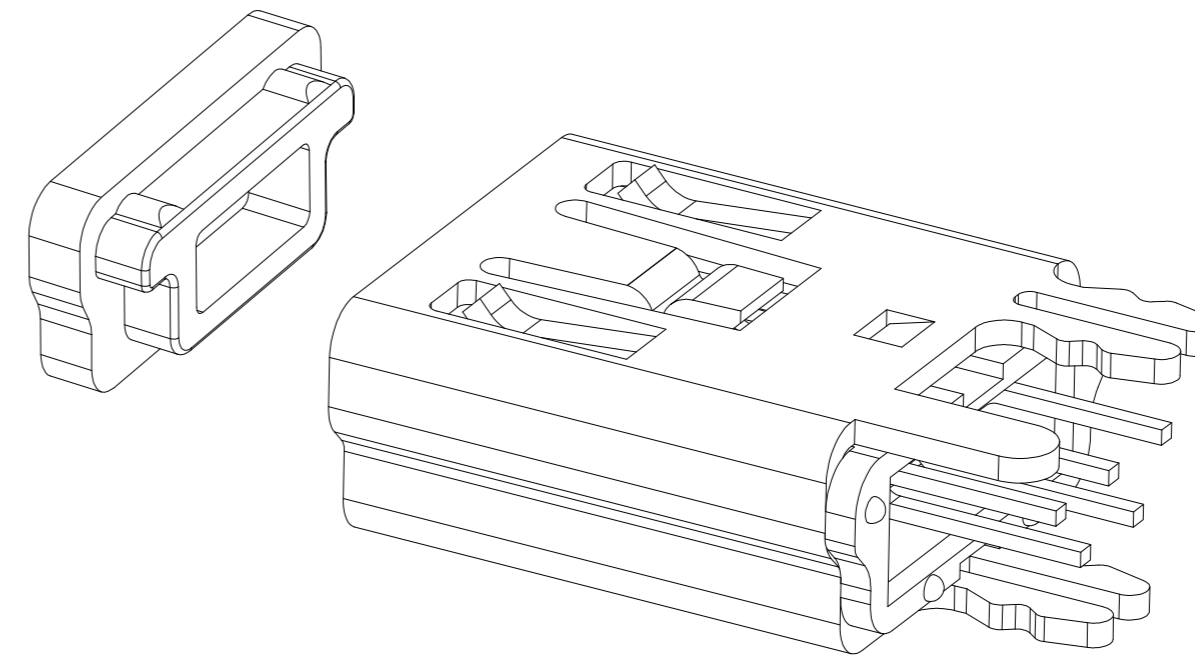
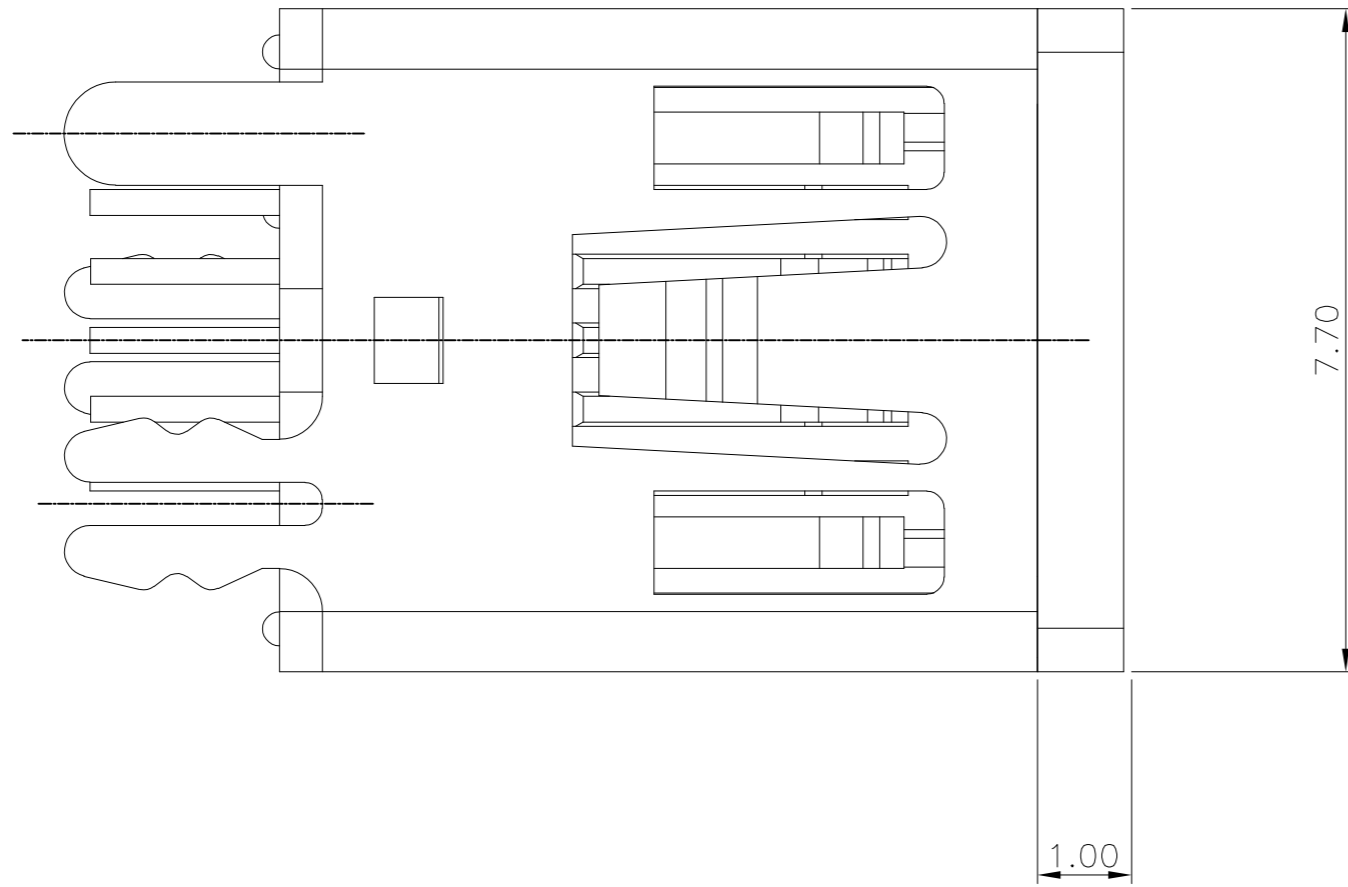
ALL RIGHTS RESERVED.

LOC
DW

DIST


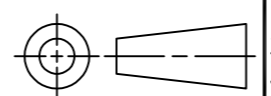
REVISIONS

P	LTR	DESCRIPTION	DATE	DWN	APVD
		SEE SHEET 1.			



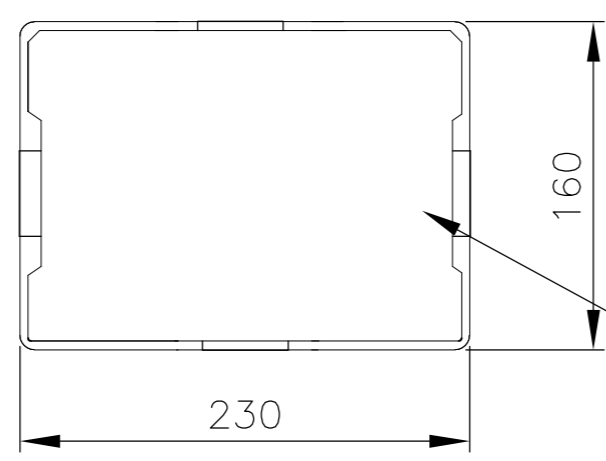
Ⓐ3 ADD THIS PAGE
 1734753-3 AS SHOW
 THE OTHER DIMENSIONS ARE THE SAME AS SHEET 1 .

SEE SHEET4	YES	1734753-3
PACKING	REFLOW CAPABLE	PART NUMBER

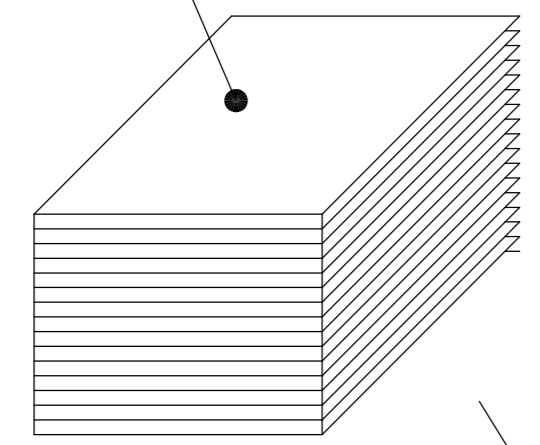
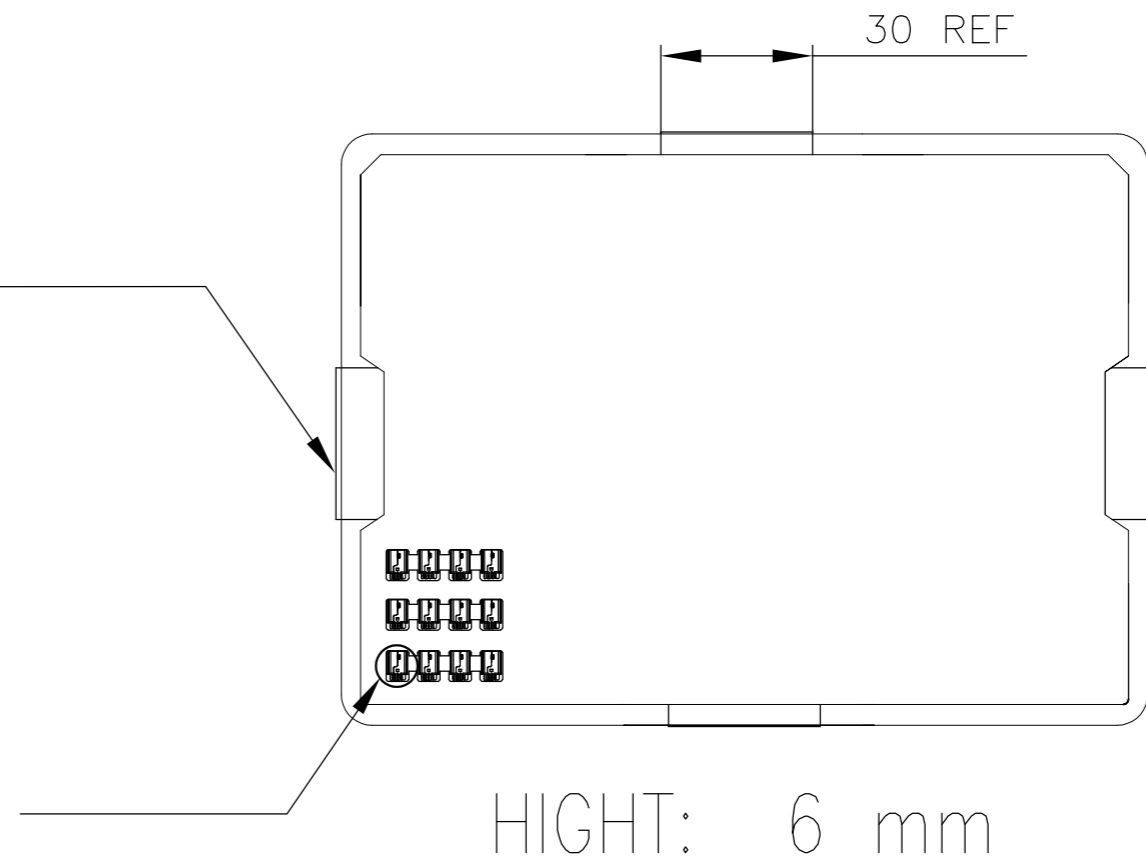
THIS DRAWING IS A CONTROLLED DOCUMENT.		DWN	 TE Connectivity					
DIMENSIONS: mm		CHK				NAME MINI USB CONN., RCPT V/T, DIP, B TYPE		
		APVD						
TOLERANCES UNLESS OTHERWISE SPECIFIED: 0 PLC ± - 1 PLC ± - 2 PLC ± - 3 PLC ± - 4 PLC ± - ANGLES ± -		PRODUCT SPEC						
MATERIAL		APPLICATION SPEC	SIZE	CAGE CODE	DRAWING NO			
FINISH		WEIGHT	A3 00779		1734753	-		
		CUSTOMER DRAWING	SCALE	SHEET	REV			
			-	2 OF 4	A3			

THIS DRAWING IS UNPUBLISHED. RELEASED FOR PUBLICATION
 © COPYRIGHT 2011 BY TYCO ELECTRONICS CORPORATION. ALL RIGHTS RESERVED.

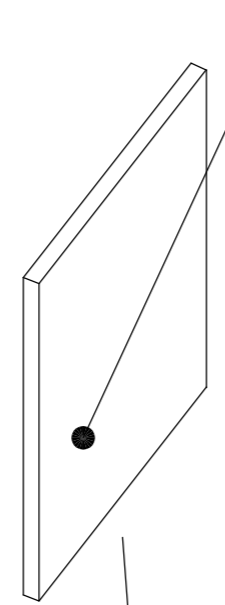
LOC	DIST	REVISIONS			
P	LTR	DESCRIPTION	DATE	DWN	APVD
		SEE SHEET 1.			



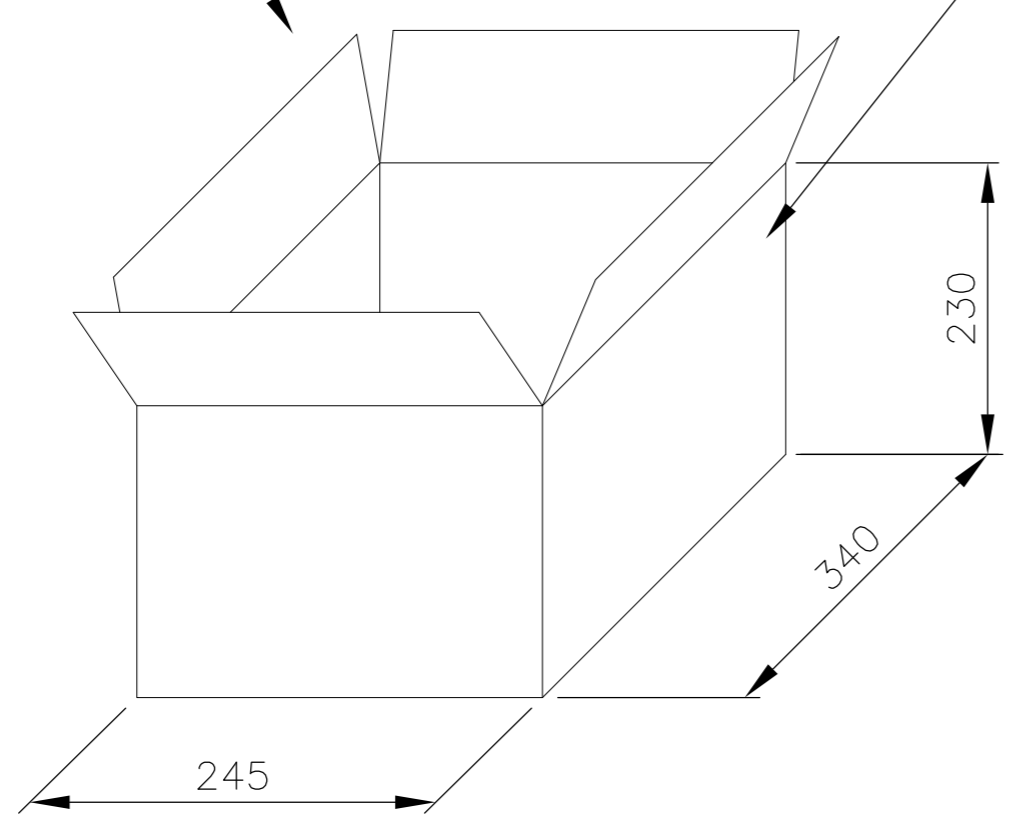
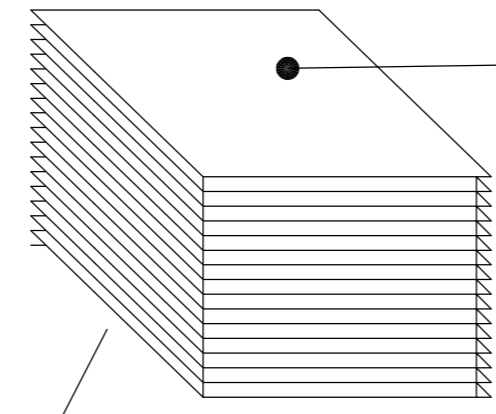
TARY
 TOTAL: 150 PCS.



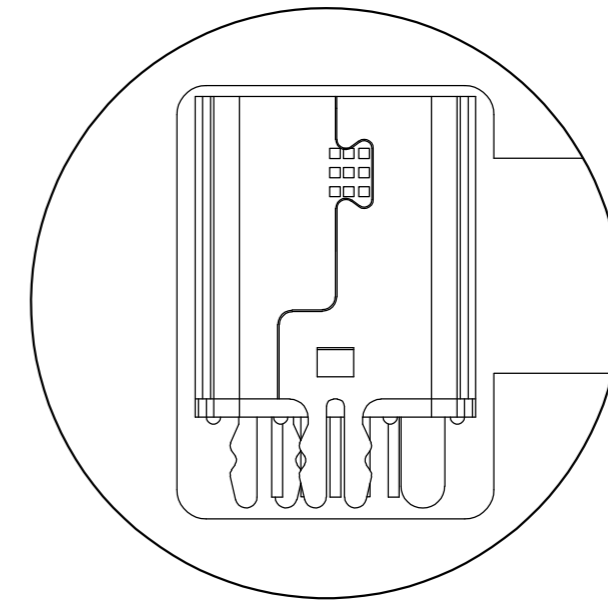
PAPER BOARD



PVC



CARTON
 76 TARY/ CARTON
 TOTAL: 11400 PCS.
 NET WEIGHT: 9.1 KGS.
 GROSS WEIGHT: 12.6 KGS.



THIS DRAWING IS A CONTROLLED DOCUMENT.		DWN	STE TE Connectivity		
DIMENSIONS: mm		CHK			
TOLERANCES UNLESS OTHERWISE SPECIFIED:		APVD	NAME		
0 PLC ± -		PRODUCT SPEC	MINI USB CONN., RCPT V/T, DIP, B TYPE		
1 PLC ± -		APPLICATION SPEC	SIZE	CAGE CODE	DRAWING NO
2 PLC ± -		WEIGHT	A3	00779	C=1734753
3 PLC ± -		CUSTOMER DRAWING	RESTRICTED TO		
4 PLC ± -			SCALE	SHEET	REV
ANGLES ± -			-	3 OF 4	A3
FINISH					

4

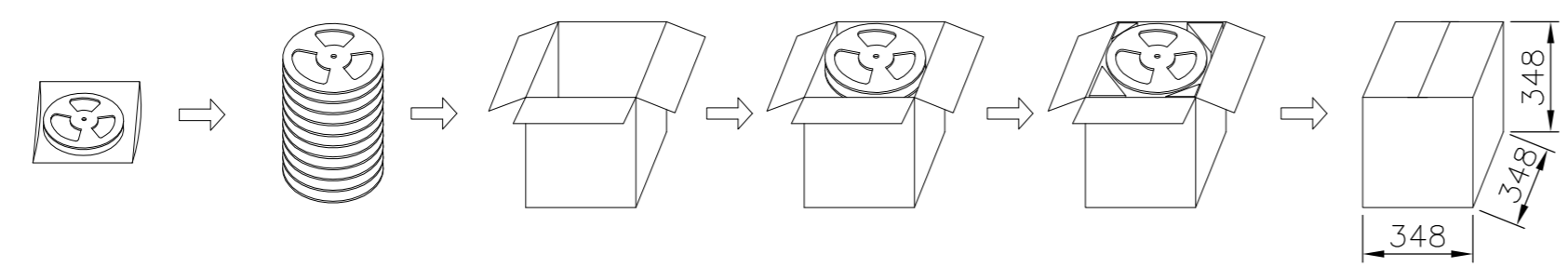
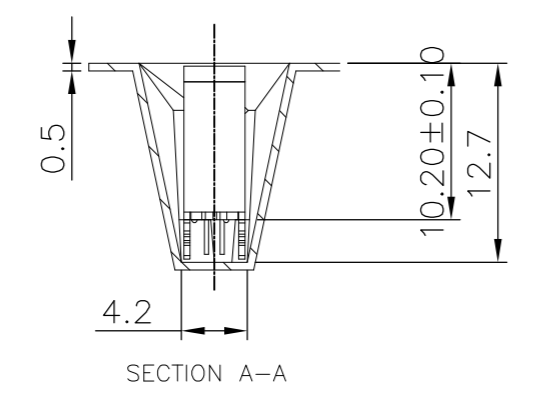
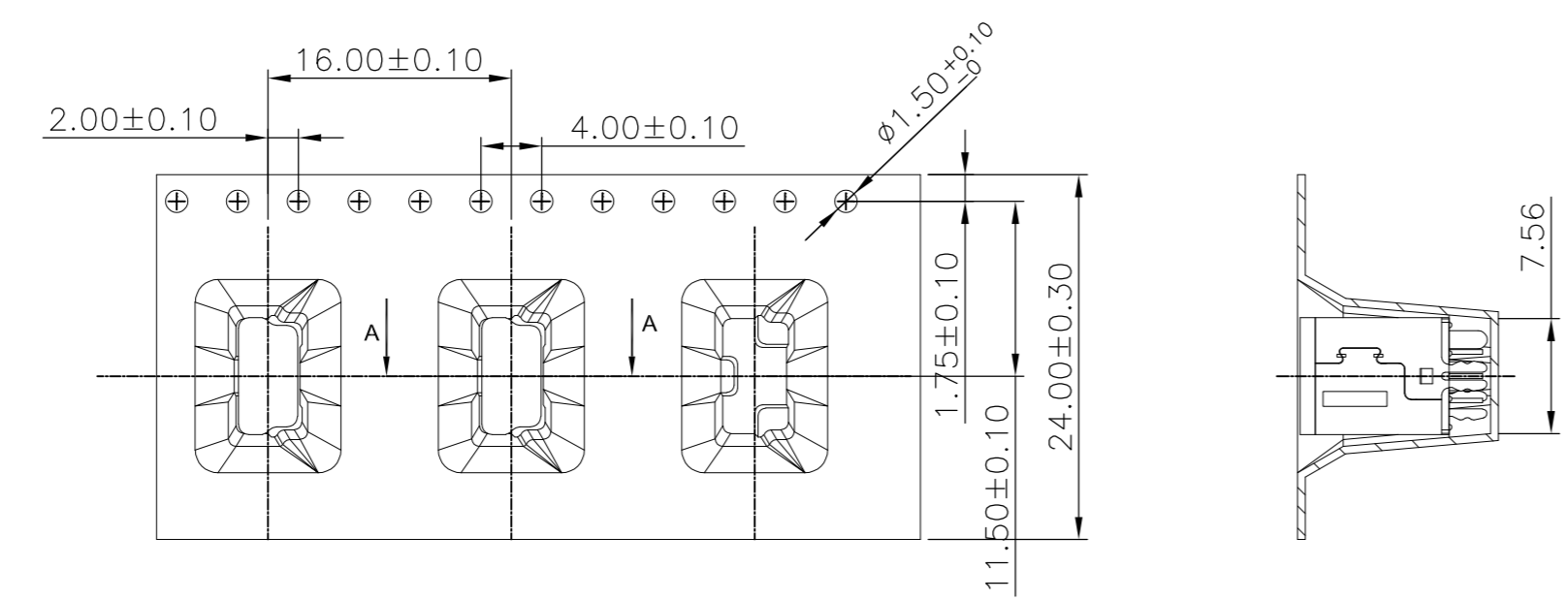
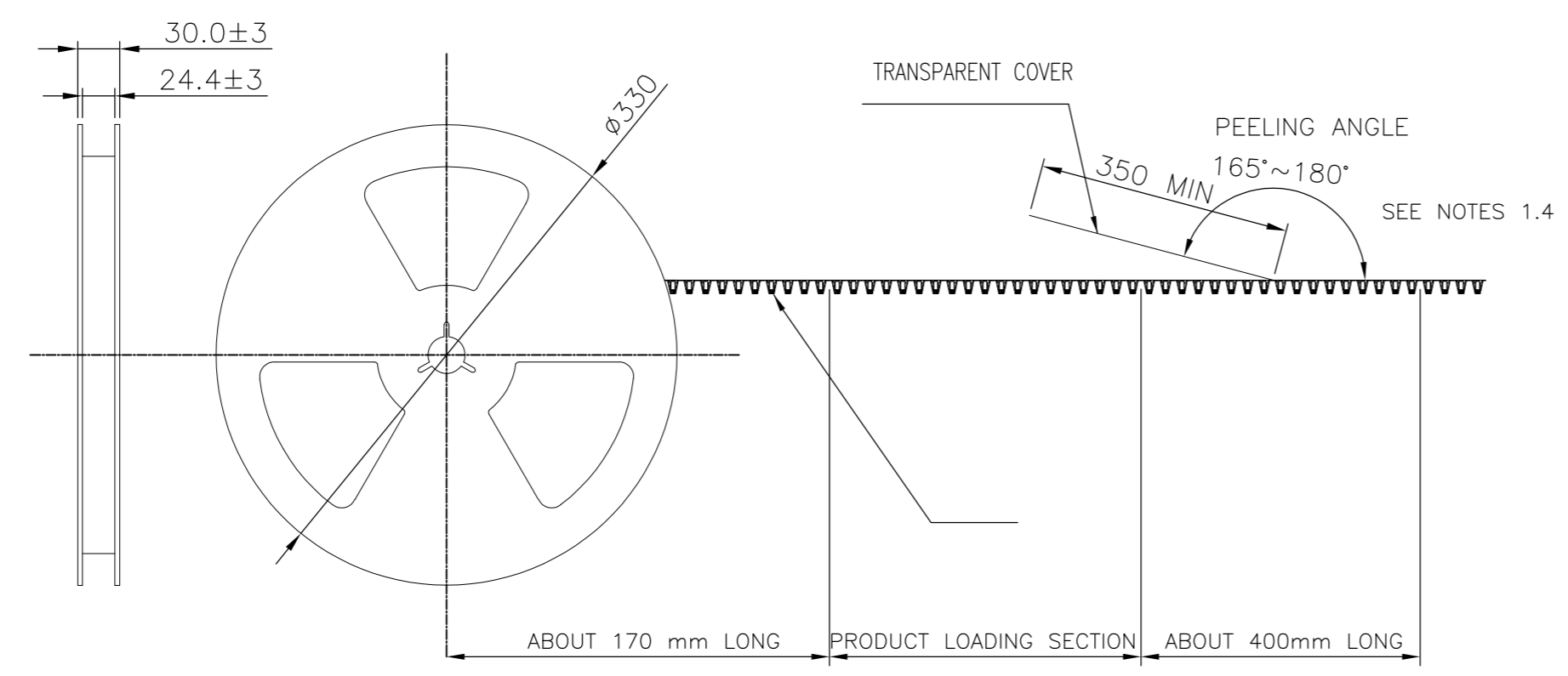
3

2

1

THIS DRAWING IS UNPUBLISHED. RELEASED FOR PUBLICATION
 © COPYRIGHT 2011 BY TYCO ELECTRONICS CORPORATION. ALL RIGHTS RESERVED.

LOC		DIST		REVISIONS				
P	LTR	DESCRIPTION			DATE	DWN	APVD	
		SEE SHEET 1.						



Ⓐ3 ADD THIS PAGE

THIS DRAWING IS A CONTROLLED DOCUMENT.		DWN	TE Connectivity NAME MINI USB CONN., RCPT V/T, DIP, B TYPE				
DIMENSIONS: mm		CHK					
		APVD					
TOLERANCES UNLESS OTHERWISE SPECIFIED:		PRODUCT SPEC					
MATERIAL		FINISH	APPLICATION SPEC	SIZE	CAGE CODE	DRAWING NO	RESTRICTED TO
			WEIGHT	A3	00779	C=1734753	
CUSTOMER DRAWING			SCALE	SHEET	4 OF 4	REV	A3

Looking for pricing, stock, or lifecycle information?

Click below to explore more details on WIN SOURCE:

 [View 1734753-1 on WIN SOURCE](#)

 [TE Connectivity](#) Information

Optimize Your Supply Chain with WIN SOURCE Solutions

-  Global Sourcing Solution
-  Obsolete Management
-  Cost Control Management
-  Shortage Management
-  Alternative Solution
-  Excess Inventory Management