



**THE DATASHEET OF
D473-2500-48_35MM**





TET ESTEL AS
ESTONIA

June
2013

Series
D473-2500

Rectifier Press-Pack
Diode
Type D473-2500

Designed for rectifiers and industrial applications

| | | | | | | | | |
|---|------------|------|------|------|------------------------|----------------------|------|------|
| Maximum mean forward current | | | | | I_{FAV} | 2500 A | | |
| Maximum repetitive peak reverse voltage | | | | | U_{RRM} | 3400 ÷ 4800 V | | |
| Reverse recovery time | | | | | trr (typ) | 70 µs | | |
| U _{RRM} , V | 3400 | 3600 | 3800 | 4000 | 4200 | 4400 | 4600 | 4800 |
| Voltage code | 34 | 36 | 38 | 40 | 42 | 44 | 46 | 48 |
| T _{vj} , °C | - 60 ÷ 150 | | | | | | | |

MAXIMUM ALLOWABLE RATINGS

| Symbols and parameters | | Units | D473-2500 | Conditions | |
|------------------------|-------------------------------------|-------------------|---------------|---|-------------------------------|
| I _{FAV} | Mean forward current | A | 2500 3970 | T _c =103°C, T _c =55°C, 180° half-sine wave, 50 Hz | |
| I _{FRMS} | RMS forward current | A | 3925 | T _c =103°C | |
| I _{FSM} | Surge forward current | kA | 42 45 | T _{vj} =150°C T _{vj} =25°C | tp=10 ms U _R =0 |
| I ² t | Limiting load integral | kA ² s | 8820 10125 | T _{vj} =150°C T _{vj} =25°C | |
| U _{RRM} | Repetitive peak reverse voltage | V | 3400÷4800 | T _{j min} ≤T _{vj} ≤T _{jM} 180° half-sine wave, 50 Hz | |
| U _{RSM} | Non-repetitive peak reverse voltage | V | 3500÷4900 | T _{j min} ≤T _{vj} ≤T _{jM} 180° half-sine wave tp=10 ms, Single pulse | |
| T _{stg} | Storage temperature | °C | -60÷80 | | |
| T _{vj} | Junction temperature | °C | -60÷150 | | |

CHARACTERISTICS

| | | | | |
|--------------------|---------------------------------|----|------|---|
| U _{FM} | Peak forward voltage | V | 2,0 | T _{vj} =25°C, I _{TM} =3,14 I _{TAV} |
| U _{F(TO)} | Threshold voltage | V | 0,95 | T _{vj} =150°C 1,57 I _{TAV} < I _T <4,71 I _{TAV} |
| R _T | Forward slope resistance | mΩ | 0,16 | |
| I _{RRM} | Repetitive peak reverse current | mA | 150 | T _{vj} =150°C, U _R = U _{RRM} |

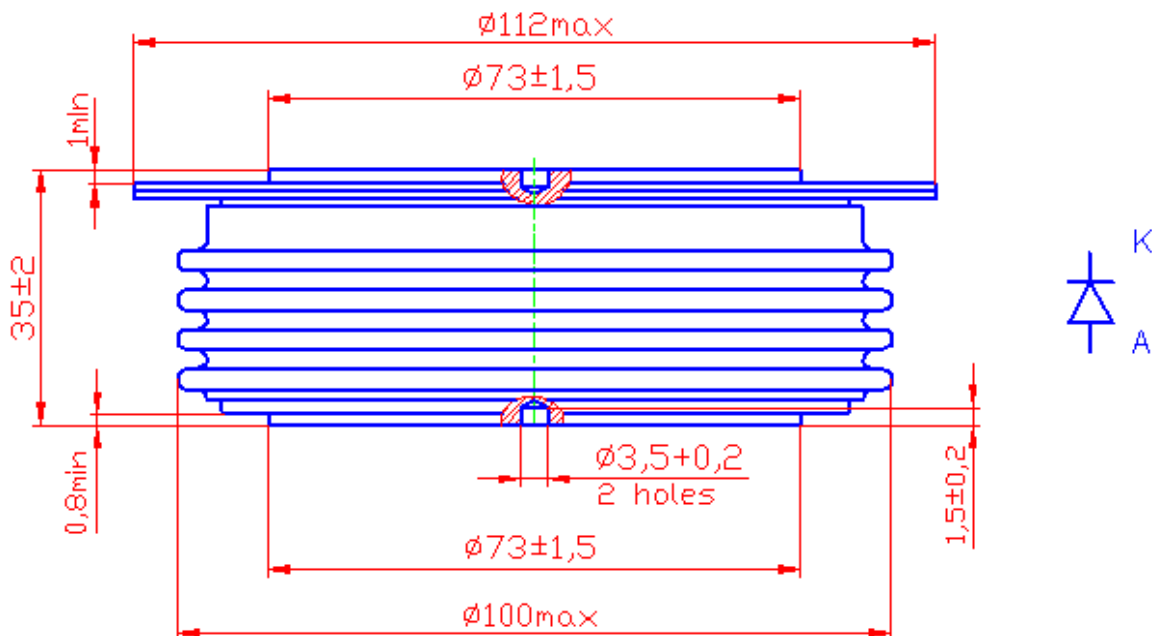
CHARACTERISTICS

| Symbols and parameters | | Units | D473-2500 | Conditions |
|------------------------|-------------------------------------|-------|-----------|--|
| Q _{rr} | Recovered charge (typ) | μC | 6000 | T _{vj} =150°C I _F =2500 A di _R /dt =10 A/μs U _R =100V |
| t _{rr} | Reverse recovery time (typ) | μs | 70 | |
| I _{rrm} | Peak reverse recovery current (typ) | A | 170 | |
| R _{thjc} | Thermal resistance junction to case | °C/W | 0,0095 | Direct current, double side cooled |

ORDERING

| | D | 473 | 2500 | 42 | |
|--|---|-----|------|----|--|
| | 1 | 2 | 3 | 4 | |



1. Diode
2. Design version
3. Mean forward current, A
4. Voltage code (42=4200 V)



Mounting force : 36 ÷ 46 kN
Weight : 1700 grams

Looking for pricing, stock, or lifecycle information?

Click below to explore more details on WIN SOURCE:

-  [View D473-2500-48_35mm on WIN SOURCE](#)
-  [TET Estel Information](#)

Optimize Your Supply Chain with WIN SOURCE Solutions

-  Global Sourcing Solution
-  Obsolete Management
-  Cost Control Management
-  Shortage Management
-  Alternative Solution
-  Excess Inventory Management