

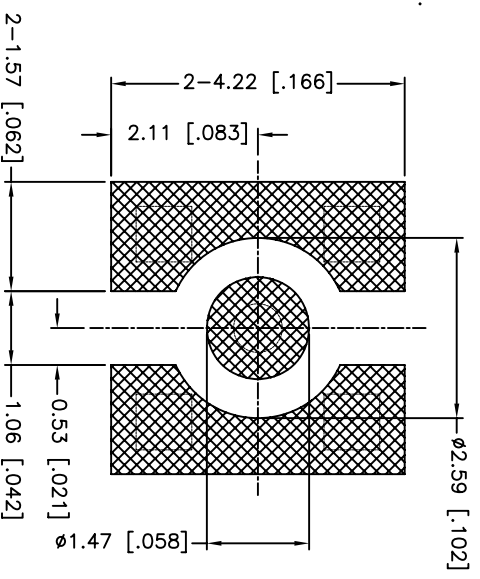
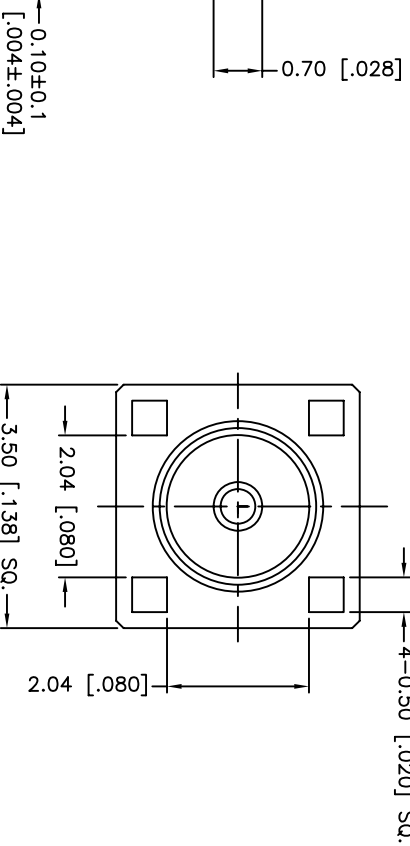


THE DATASHEET OF
262109





REV.	DATE	ECR NO.	DESCRIPTION
NC	05/18/99	XXXXXX	INITIAL RELEASE
A	05/26/11	XXXXXX	UPDATE DRAWING FORMAT
B	07/15/11	2199	ECR 2199
C	03/15/13	2435	ADD RECOMMENDED PCB LAYOUT, ADD ELECTRICAL SPEC. UPDATE DRAWING FORMAT
D	07/31/13	2505	MODIFY RECOMMENDED PCB LAYOUT



RECOMMENDED MOUNTING PATTERN



0.10±0.1
[0.004±.004]

MIN.		UNLESS OTHERWISE SPECIFIED DIMENSIONS ARE IN MILLIMETERS. SPECIFIED DIMENSIONS ARE IN INCHES AND FOR CUSTOMER REFERENCE ONLY.	
UD	1	UNLESS OTHERWISE SPECIFIED TOLERANCES ARE:	UNLESS OTHERWISE SPECIFIED DIMENSIONS ARE IN MILLIMETERS. SPECIFIED DIMENSIONS ARE IN INCHES AND FOR CUSTOMER REFERENCE ONLY.
UD	1	0.5 - 30mm ± 0.10mm	0.20 ± 0.002"
UD	1	6 - 120mm ± 0.20mm	0.20 - .236 = ± 0.004"
UD	1	30 - 120mm ± 0.30mm	.236 - 1.180 = ± 0.007"
UD	1	ANGLES ± 1°	1.180 - 4.724 = ± 0.012"
UD	1	UNLESS OTHERWISE SPECIFIED TOLERANCES FOR INCHES ARE:	
UD	1	< 0.20 ± 0.002"	
UD	1	0.20 - .236 = ± 0.004"	
UD	1	.236 - 1.180 = ± 0.007"	
UD	1	1.180 - 4.724 = ± 0.012"	
QTY		DO NOT SCALE DRAWING	
APPROVALS		DATE	
DRAWN M.ZHANG		07/31/13	
CHECKED			
ISSUED			
SHEET 1 OF 1			
CADD FILE			
C:/CONNEX/262109.DWG			
PART DESCRIPTION			
MMCX SURFACE MOUNT JACK			
PART NO.			
262109			
DWG. NO.			
262109.DWG			
REV.	D	SIZE	A
SCALE	NA		

Amphenol Connex

Looking for pricing, stock, or lifecycle information?

Click below to explore more details on WIN SOURCE:

-  [View 262109 on WIN SOURCE](#)
-  [Amphenol Information](#)

Optimize Your Supply Chain with WIN SOURCE Solutions

-  Global Sourcing Solution
-  Obsolete Management
-  Cost Control Management
-  Shortage Management
-  Alternative Solution
-  Excess Inventory Management