

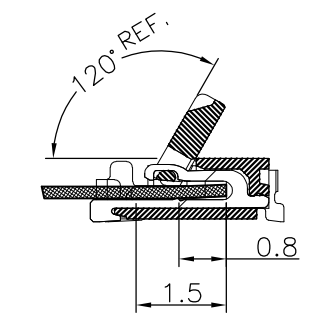
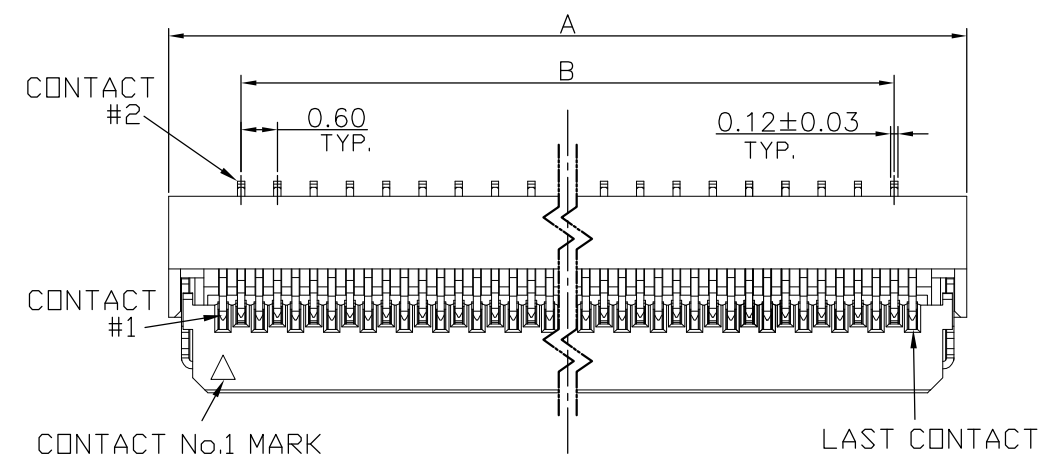


THE DATASHEET OF
5-2041390-1

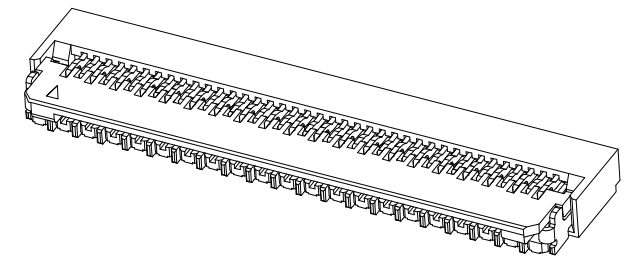
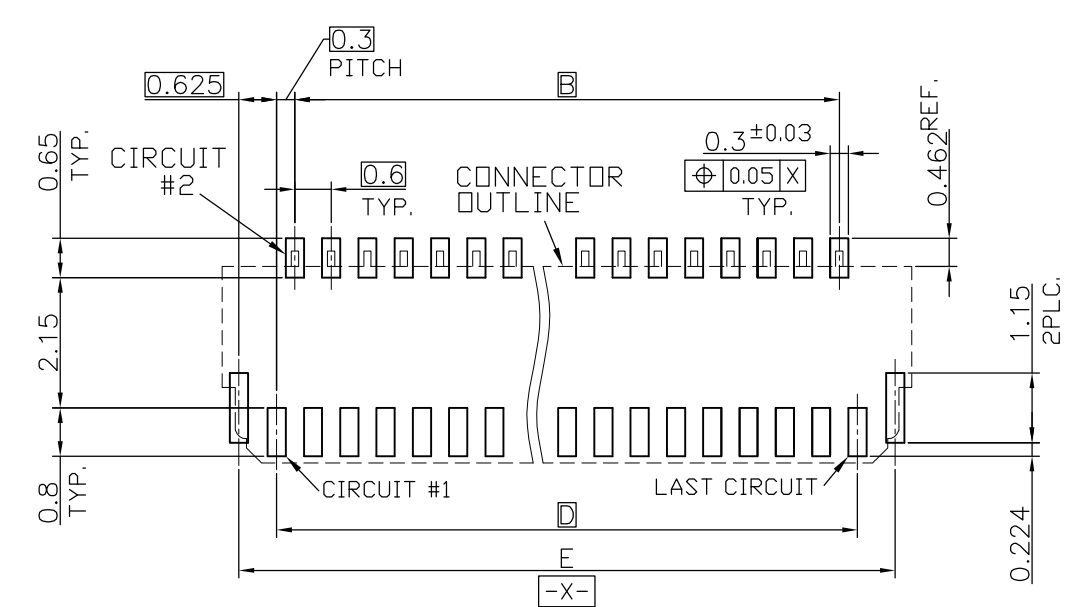
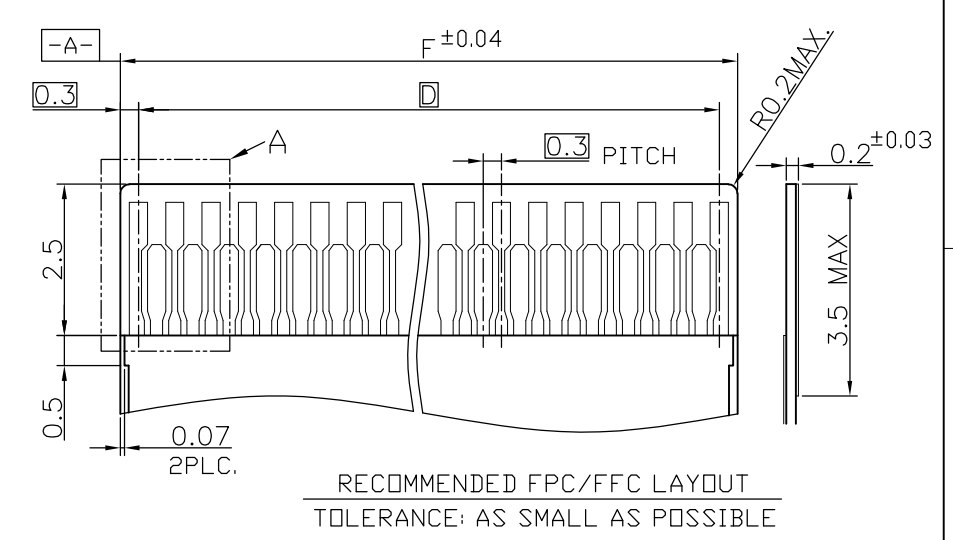
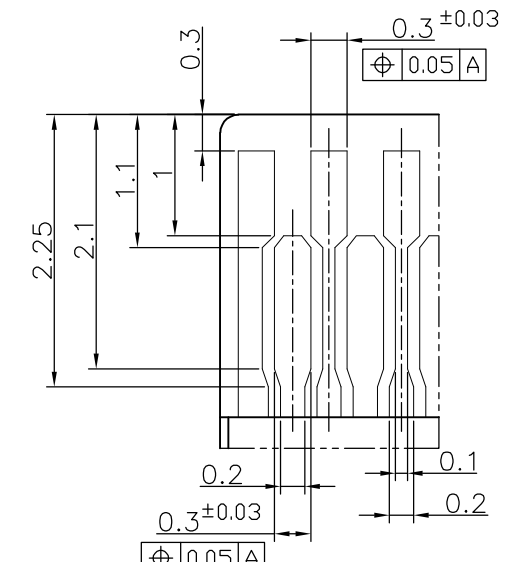
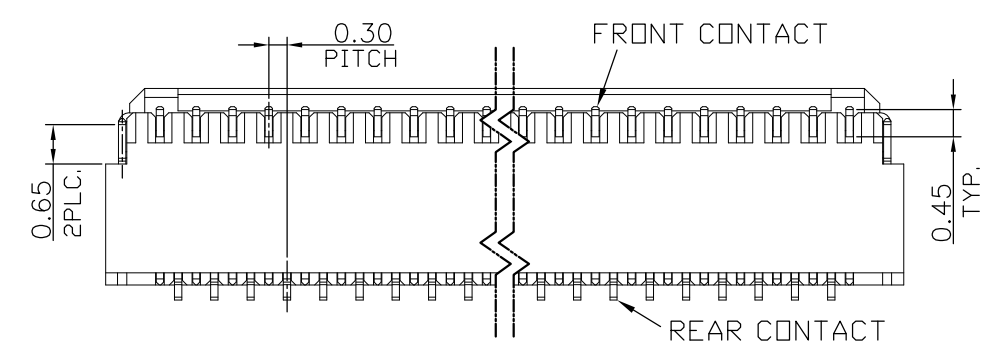
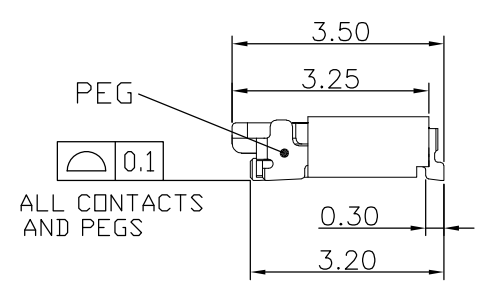
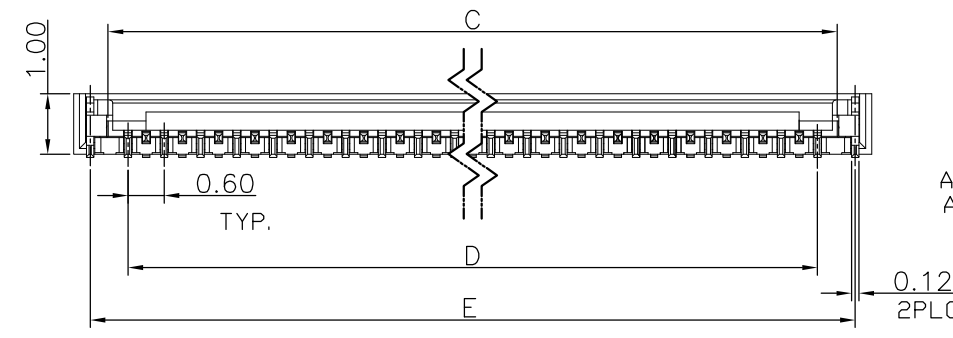


THIS DRAWING IS UNPUBLISHED. RELEASED FOR PUBLICATION
 © COPYRIGHT - Tyco Electronics Japan G.K. ALL RIGHTS RESERVED.

REVISIONS					
P	LTR	DESCRIPTION	DATE	DWN	APVD
	C2	REVISED(ECR-16-005759)	11JUL2016	H.F	A.K



- 1 MATERIAL : HOUSING : LCP, UL94V-0, BLACK
 ACTUATOR : LCP, UL94V-0, NATURAL
 CONTACT&PEG : PHOSPHOR BRONZE
- 2 FINISH : CONTACT : GOLD FLASH PLATED ON CONTACT AREA AND SOLDER TAIL, WITH ENTIRE CONTACT UNDER PLATED 1.27 μm[50 μ"]MIN. NICKEL.
 PEG : GOLD FLASH PLATED OVER 1.27 μm[50 μ"]MIN. NICKEL.
- 3 REFLOW SOLDER CAPABLE TO 260°C PER TEC-109-201, CONDITION B.
- 4 SUBSTANCE RESTRICTIONS FOR LOW HALOGEN (BY WEIGHT)
 - BROMINE(Br) ≤ 900ppm(0.09%)
 - CHLORINE(Cl) ≤ 900ppm(0.09%)
 - TOTAL CONCENTRATION OF Cl+Br ≤ 1500ppm(0.15%)



	F	E	D	C	B	A	No. OF CONTACTS	PART NUMBER
①	21.60	22.25	21.00	21.65	20.40	22.80	71	7-2041390-1
②	15.60	16.25	15.00	15.65	14.40	16.80	51	5-2041390-1
	13.80	14.45	13.20	13.85	12.60	15.00	45	4-2041390-5
	12.00	12.65	11.40	12.05	10.80	13.20	39	3-2041390-9

THIS DRAWING IS A CONTROLLED DOCUMENT.		DWN A.WU 15JUN2011	TE Connectivity			
DIMENSIONS: mm		CHK S.CHEN 15JUN2011				
TOLERANCES UNLESS OTHERWISE SPECIFIED:		APVD W.KODAMA 15JUN2011	NAME			
0 PLC ± -		PRODUCT SPEC 108-57877	FPC CONNECTOR, 0.3 PITCH			
1 PLC ± 0.3		APPLICATION SPEC	ZIF, BOTTOM CONTACT			
2 PLC ± 0.2		WEIGHT 0	SIZE A3	CAGE CODE 00779	DRAWING NO C-2041390	RESTRICTED TO
3 PLC ± 0.15			SCALE NTS			SHEET 1 OF 2
4 PLC ± -			REV C2			
ANGLES ± -			CUSTOMER DRAWING			
FINISH SEE NOTE						

THIS DRAWING IS UNPUBLISHED.

RELEASED FOR PUBLICATION

© COPYRIGHT - Tyco Electronics Japan G.K.

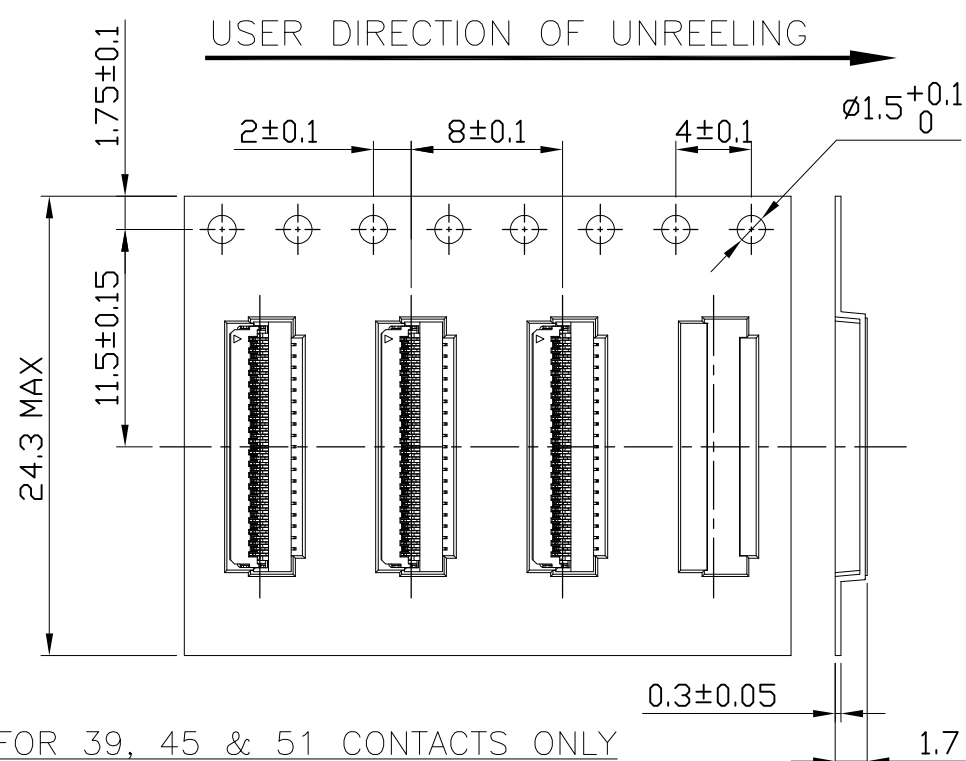
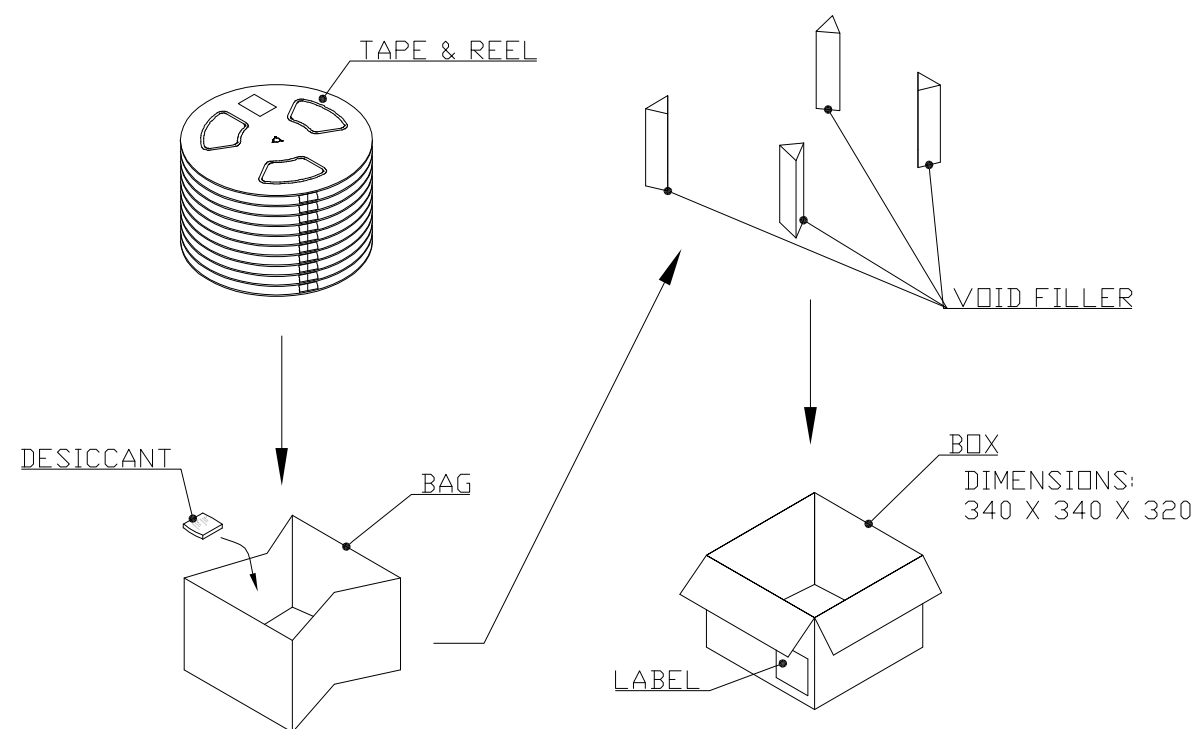
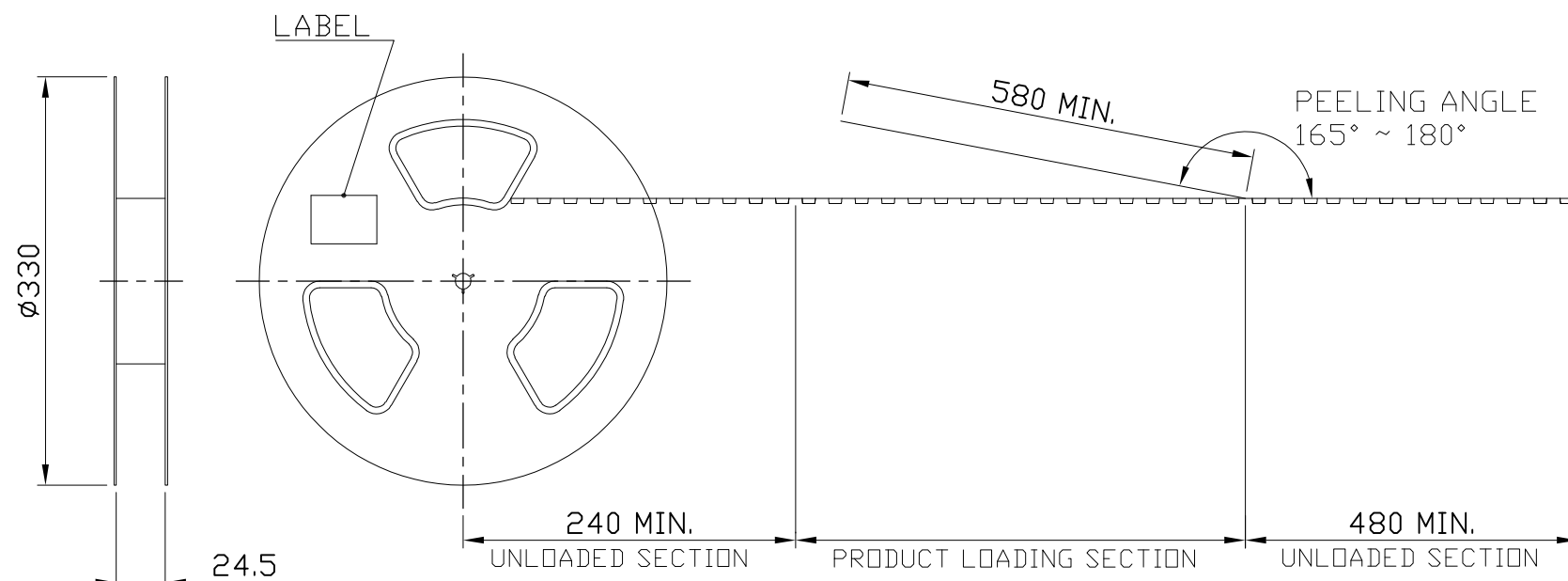
ALL RIGHTS RESERVED.

REVISIONS

P	LTR	DESCRIPTION	DATE	DWN	APVD
-	-	SEE SHEET 1	-	-	-

NOTES:

- MATERIAL:
BOX: FIBREBOARD, CORRUGATED, DOUBLE WALL.
COVER TAPE: PET, 120°C, TRANSPARENT.
CARRIER TAPE: POLYSTYRENES, TRANSPARENT.
REEL: HIPS, BLUE COLOR.
BAG: POLYETHYLENES, TRANSPARENT.
- EACH BAG SHALL BE INCLUDED DESICCANT.
- PEELING STRENGTH: 0.1 ~ 1.3 N (10 ~ 130 GRAMS).
- PEELING SPEED: 300 mm/min.



①	27000	6	4500	4.56	9.56	71
②	45000	10	4500	4.41	9.41	51
	45000	10	4500	3.96	8.96	45
	45000	10	4500	3.42	8.42	39
	PCS /BOX	REELS /BOX	PCS /TAPE	N/W (kg)	G/W (kg)	No. OF CONTACT

THIS DRAWING IS A CONTROLLED DOCUMENT.		DWN	-			
DIMENSIONS: mm		CHK	-			
TOLERANCES UNLESS OTHERWISE SPECIFIED:		APVD	-			
0 PLC ± -		PRODUCT SPEC	-			
1 PLC ± -		APPLICATION SPEC	-			
2 PLC ± -		WEIGHT	-			
3 PLC ± -		STE TE Connectivity		NAME		
4 PLC ± -		FPC CONNECTOR, 0.3 PITCH		ZIF, BOTTOM CONTACT		
ANGLES ± -		SIZE	CAGE CODE	DRAWING NO	RESTRICTED TO	
FINISH		A3	00779	C-2041390	-	
MATERIAL		CUSTOMER DRAWING		SCALE	SHEET	
				NTS	2 OF 2	
				REV	C2	

Looking for pricing, stock, or lifecycle information?

Click below to explore more details on WIN SOURCE:

 [View 5-2041390-1 on WIN SOURCE](#)

 [TE Connectivity](#) Information

Optimize Your Supply Chain with WIN SOURCE Solutions

-  Global Sourcing Solution
-  Obsolete Management
-  Cost Control Management
-  Shortage Management
-  Alternative Solution
-  Excess Inventory Management