



**THE DATASHEET OF  
DS9638CN**



## DS9638 RS-422 Dual High Speed Differential Line Driver

Check for Samples: [DS9638](#)

### FEATURES

- Single 5V Supply
- Schottky Technology
- TTL and CMOS Compatible Inputs
- Output Short Circuit Protection
- Input Clamp Diodes
- Complementary Outputs
- Minimum Output Skew (<1.0 ns typical)
- 50 mA Output Drive Capability for 50Ω Transmission Lines
- Meets EIA RS-422 Specifications
- Propagation Delay of Less Than 10 ns
- “Glitchless” Differential Output
- Delay Time Stable with  $V_{CC}$  and Temperature Variations (<2.0 ns typical) (See [Figure 4](#))
- Extended Temperature Range

### DESCRIPTION

The DS9638 is a Schottky, TTL compatible, dual differential line driver designed specifically to meet the EIA Standard RS-422 specifications. It is designed to provide unipolar differential drive to twisted pair or parallel wire transmission lines. The inputs are TTL compatible. The outputs are similar to totem pole TTL outputs, with active pull-up and pull-down. The device features a short circuit protected active pull-up with low output impedance and is specified to drive 50Ω transmission lines at high speed. The mini-DIP provides high package density.

### Connection Diagram

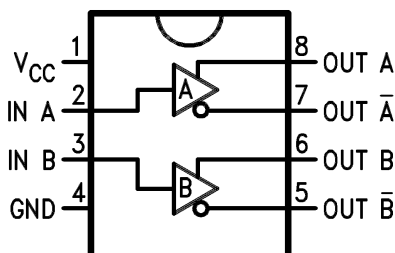


Figure 1. 8-Lead PDIP or CDIP or SOIC (Top View)  
See P or NAB0008A or D Package



Please be aware that an important notice concerning availability, standard warranty, and use in critical applications of Texas Instruments semiconductor products and disclaimers thereto appears at the end of this data sheet.

All trademarks are the property of their respective owners.



These devices have limited built-in ESD protection. The leads should be shorted together or the device placed in conductive foam during storage or handling to prevent electrostatic damage to the MOS gates.

### Absolute Maximum Ratings<sup>(1)(2)</sup>

Storage Temperature Range	Ceramic DIP	-65°C to +175°C
	Molded DIP and SO-8	-65°C to +150°C
Lead Temperature	CDIP (Soldering, 60 sec.)	300°C
	PDIP (Soldering, 10 sec.)	265°C
Maximum Power Dissipation at 25°C <sup>(3)</sup>	CDIP Package	1300 mW
	PDIP Package	930 mW
	SOIC Package	810 mW
V <sub>CC</sub> Lead Potential to Ground		-0.5V to 7V
Input Voltage		-0.5V to +7V

- (1) "Absolute Maximum Ratings" are those values beyond which the safety of the device cannot be verified. They are not meant to imply that the devices should be operated at these limits. The tables of "Electrical Characteristics provide conditions for actual device operation.
- (2) If Military/Aerospace specified devices are required, please contact the Texas Instruments Sales Office/ Distributors for availability and specifications.
- (3) Derate CDIP package 8.7 mW/°C above 25°C; derate PDIP package 7.5 mW/°C above 25°C; derate SOIC package 6.5 mW/°C above 25°C.

### Recommended Operating Conditions

	DS9638M			DS9638C			Units
	Min	Typ	Max	Min	Typ	Max	
Supply Voltage (V <sub>CC</sub> )	4.5	5.0	5.5	4.75	5.0	5.25	V
Output Current HIGH (I <sub>OH</sub> )			-50			-50	mA
Output Current LOW (I <sub>OL</sub> )			50	40		50	mA
Operating Temperature (T <sub>A</sub> )	-55	25	125	0	25	70	°C

## Electrical Characteristics<sup>(1)(2)</sup>

Over recommended operating temperature and supply voltage ranges, unless otherwise specified

Symbol	Parameter	Conditions	Min	Typ	Max	Units
V <sub>IH</sub>	Input Voltage HIGH		2.0			V
V <sub>IL</sub>	Input Voltage LOW	0°C to +70°C			0.8	V
		-55°C to +125°C			0.5	
V <sub>IC</sub>	Input Clamp Voltage	V <sub>CC</sub> = Min, I <sub>I</sub> = -18 mA		-1.0	-1.2	V
V <sub>OH</sub>	Output Voltage HIGH	V <sub>CC</sub> = Min, V <sub>IH</sub> = V <sub>IH Min</sub> , V <sub>IL</sub> = V <sub>IL Max</sub>	I <sub>OH</sub> = -10 mA	2.5	3.5	V
			I <sub>OH</sub> = -40 mA	2.0		
V <sub>OL</sub>	Output Voltage LOW	V <sub>CC</sub> = Min, V <sub>IH</sub> = V <sub>IH Min</sub> , V <sub>IL</sub> = V <sub>IL Max</sub> , I <sub>OL</sub> = 40 mA			0.5	V
I <sub>I</sub>	Input Current at Maximum Input Voltage	V <sub>CC</sub> = Max, V <sub>I Max</sub> = 5.5V			50	μA
I <sub>IH</sub>	Input Current HIGH	V <sub>CC</sub> = Max, V <sub>IH</sub> = 2.7V			25	μA
I <sub>IL</sub>	Input Current LOW	V <sub>CC</sub> = Max, V <sub>IL</sub> = 0.5V			-200	μA
I <sub>OS</sub>	Output Short Circuit Current	V <sub>CC</sub> = Max, V <sub>O</sub> = 0V <sup>(2)</sup>	-50		-150	mA
V <sub>T</sub> , $\overline{V}_T$	Terminated Output Voltage	See <a href="#">Figure 2</a>	2.0			V
V <sub>T</sub> - $\overline{V}_T$	Output Balance				0.4	V
V <sub>OS</sub> , $\overline{V}_{OS}$	Output Offset Voltage				3.0	V
V <sub>OS</sub> - $\overline{V}_{OS}$	Output Offset Balance				0.4	V
I <sub>X</sub>	Output Leakage Current	T <sub>A</sub> = 25°C -0.25V < V <sub>X</sub> < 5.5V			100	μA
I <sub>CC</sub>	Supply Current (Both Drivers)	V <sub>CC</sub> = 5.5V, All input at 0V, No Load		45	65	mA

- (1) Unless otherwise specified min/max limits apply across the -55°C to +125°C temperature range for the DS9638M and across the 0°C to +70°C range for the DS9638C. All typicals are given for V<sub>CC</sub> = 5V and T<sub>A</sub> = 25°C.
- (2) All currents into the device pins are positive; all currents out of the device pins are negative. All voltages are referenced to ground unless otherwise specified.

## Switching Characteristics

V<sub>CC</sub> = 5.0V, T<sub>A</sub> = 25°C.

Symbol	Parameter	Conditions	Min	Typ	Max	Units
t <sub>PHL</sub>	Propagation Delay	C <sub>L</sub> = 15 pF R <sub>L</sub> = 100Ω, See <a href="#">Figure 3</a>		10	20	ns
t <sub>PLH</sub>				10	20	ns
t <sub>f</sub>	Fall Time, 90%–10%			10	20	ns
t <sub>r</sub>	Rise Time, 10%–90%			10	20	ns
t <sub>PO</sub> - $\overline{t}_{PO}$	Skew Between Outputs A/ $\overline{A}$ and B/ $\overline{B}$				1.0	

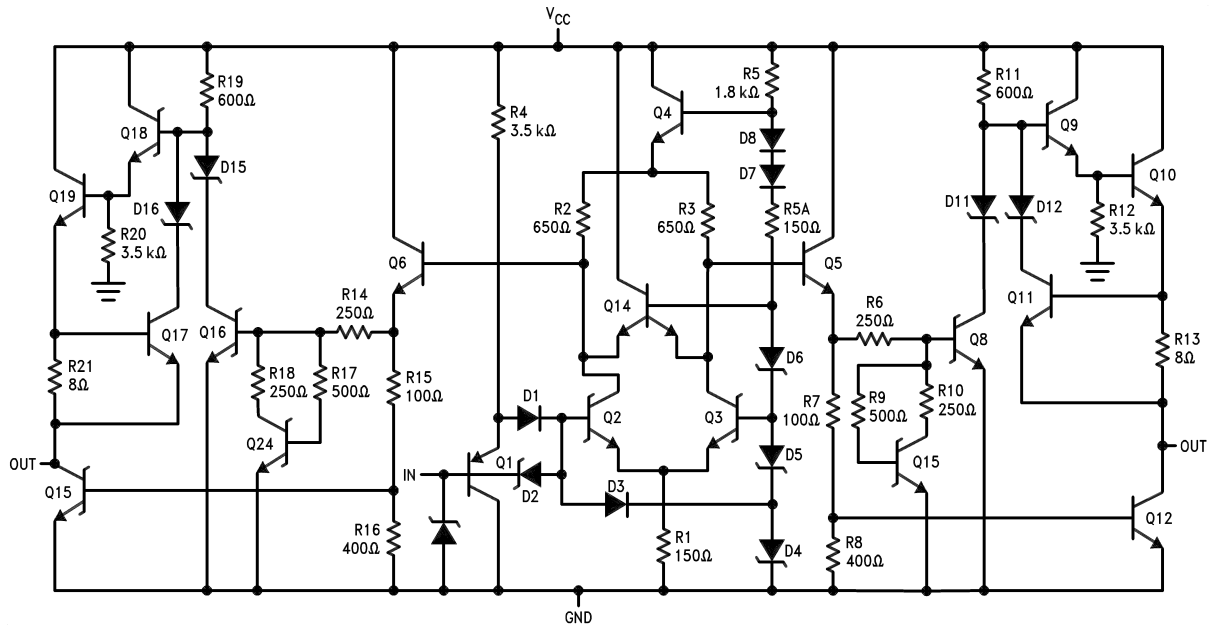


Figure 2. Equivalent Circuit

DC Test Circuit

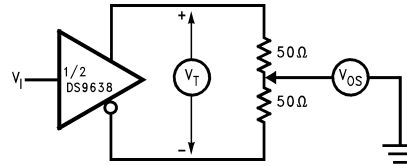
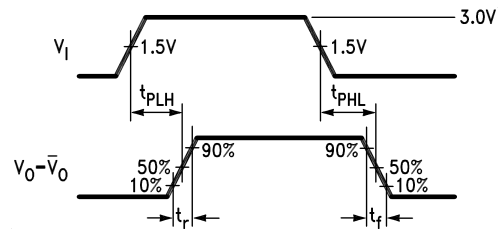
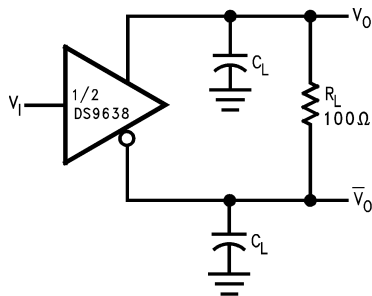


Figure 3. Terminated Output Voltage and Output Balance



(1) The pulse generator has the following characteristics:  
 $C_L$  includes probe and jig capacitance.  
 PRR = 500 kHz,  $t_W = 100$  ns,  
 $t_r \leq 5.0$  ns,  $Z_O = 50\Omega$ .

Figure 4. AC Test Circuit and Voltage Waveform

Typical Characteristics

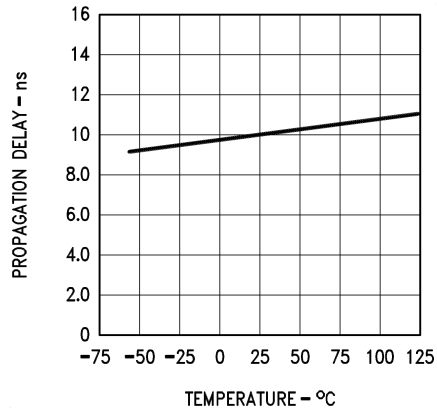


Figure 5. Typical Delay Characteristics (a)

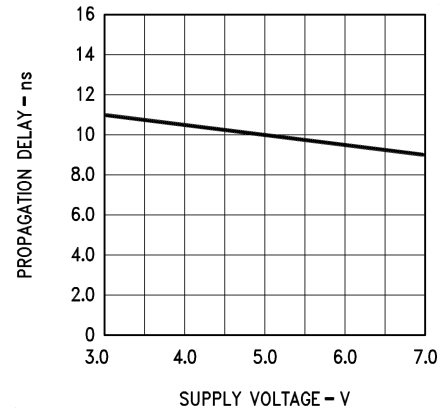


Figure 6. Typical Delay Characteristics (b)

## REVISION HISTORY

Changes from Revision C (April 2013) to Revision D	Page
• Changed layout of National Data Sheet to TI format .....	<a href="#">5</a>

**PACKAGING INFORMATION**

Orderable Device	Status (1)	Package Type	Package Drawing	Pins	Package Qty	Eco Plan (2)	Lead/Ball Finish (6)	MSL Peak Temp (3)	Op Temp (°C)	Device Marking (4/5)	Samples
DS9638CM/NOPB	LIFEBUY	SOIC	D	8	95	Green (RoHS & no Sb/Br)	CU SN	Level-1-260C-UNLIM	0 to 70	DS963 8CM	
DS9638CMX/NOPB	LIFEBUY	SOIC	D	8	2500	Green (RoHS & no Sb/Br)	CU SN	Level-1-260C-UNLIM	0 to 70	DS963 8CM	

(1) The marketing status values are defined as follows:

**ACTIVE:** Product device recommended for new designs.

**LIFEBUY:** TI has announced that the device will be discontinued, and a lifetime-buy period is in effect.

**NRND:** Not recommended for new designs. Device is in production to support existing customers, but TI does not recommend using this part in a new design.

**PREVIEW:** Device has been announced but is not in production. Samples may or may not be available.

**OBsolete:** TI has discontinued the production of the device.

(2) **RoHS:** TI defines "RoHS" to mean semiconductor products that are compliant with the current EU RoHS requirements for all 10 RoHS substances, including the requirement that RoHS substance do not exceed 0.1% by weight in homogeneous materials. Where designed to be soldered at high temperatures, "RoHS" products are suitable for use in specified lead-free processes. TI may reference these types of products as "Pb-Free".

**RoHS Exempt:** TI defines "RoHS Exempt" to mean products that contain lead but are compliant with EU RoHS pursuant to a specific EU RoHS exemption.

**Green:** TI defines "Green" to mean the content of Chlorine (Cl) and Bromine (Br) based flame retardants meet JS709B low halogen requirements of <=1000ppm threshold. Antimony trioxide based flame retardants must also meet the <=1000ppm threshold requirement.

(3) MSL, Peak Temp. - The Moisture Sensitivity Level rating according to the JEDEC industry standard classifications, and peak solder temperature.

(4) There may be additional marking, which relates to the logo, the lot trace code information, or the environmental category on the device.

(5) Multiple Device Markings will be inside parentheses. Only one Device Marking contained in parentheses and separated by a "-" will appear on a device. If a line is indented then it is a continuation of the previous line and the two combined represent the entire Device Marking for that device.

(6) Lead/Ball Finish - Orderable Devices may have multiple material finish options. Finish options are separated by a vertical ruled line. Lead/Ball Finish values may wrap to two lines if the finish value exceeds the maximum column width.

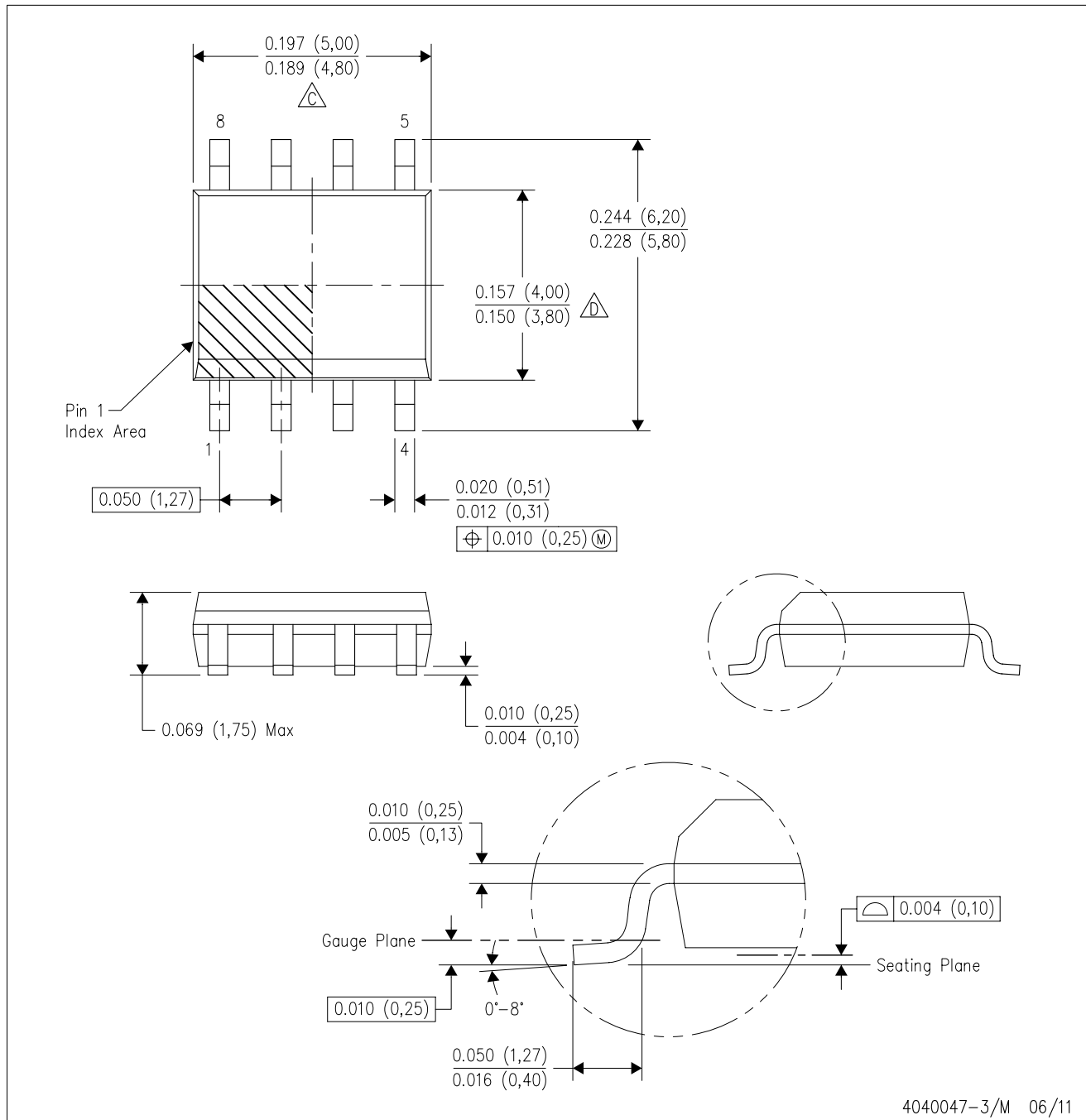
**Important Information and Disclaimer:**The information provided on this page represents TI's knowledge and belief as of the date that it is provided. TI bases its knowledge and belief on information provided by third parties, and makes no representation or warranty as to the accuracy of such information. Efforts are underway to better integrate information from third parties. TI has taken and continues to take reasonable steps to provide representative and accurate information but may not have conducted destructive testing or chemical analysis on incoming materials and chemicals. TI and TI suppliers consider certain information to be proprietary, and thus CAS numbers and other limited information may not be available for release.

In no event shall TI's liability arising out of such information exceed the total purchase price of the TI part(s) at issue in this document sold by TI to Customer on an annual basis.



D (R-PDSO-G8)

PLASTIC SMALL OUTLINE



## IMPORTANT NOTICE

Texas Instruments Incorporated (TI) reserves the right to make corrections, enhancements, improvements and other changes to its semiconductor products and services per JESD46, latest issue, and to discontinue any product or service per JESD48, latest issue. Buyers should obtain the latest relevant information before placing orders and should verify that such information is current and complete.

TI's published terms of sale for semiconductor products (<http://www.ti.com/sc/docs/stdterms.htm>) apply to the sale of packaged integrated circuit products that TI has qualified and released to market. Additional terms may apply to the use or sale of other types of TI products and services.

Reproduction of significant portions of TI information in TI data sheets is permissible only if reproduction is without alteration and is accompanied by all associated warranties, conditions, limitations, and notices. TI is not responsible or liable for such reproduced documentation. Information of third parties may be subject to additional restrictions. Resale of TI products or services with statements different from or beyond the parameters stated by TI for that product or service voids all express and any implied warranties for the associated TI product or service and is an unfair and deceptive business practice. TI is not responsible or liable for any such statements.

Buyers and others who are developing systems that incorporate TI products (collectively, "Designers") understand and agree that Designers remain responsible for using their independent analysis, evaluation and judgment in designing their applications and that Designers have full and exclusive responsibility to assure the safety of Designers' applications and compliance of their applications (and of all TI products used in or for Designers' applications) with all applicable regulations, laws and other applicable requirements. Designer represents that, with respect to their applications, Designer has all the necessary expertise to create and implement safeguards that (1) anticipate dangerous consequences of failures, (2) monitor failures and their consequences, and (3) lessen the likelihood of failures that might cause harm and take appropriate actions. Designer agrees that prior to using or distributing any applications that include TI products, Designer will thoroughly test such applications and the functionality of such TI products as used in such applications.

TI's provision of technical, application or other design advice, quality characterization, reliability data or other services or information, including, but not limited to, reference designs and materials relating to evaluation modules, (collectively, "TI Resources") are intended to assist designers who are developing applications that incorporate TI products; by downloading, accessing or using TI Resources in any way, Designer (individually or, if Designer is acting on behalf of a company, Designer's company) agrees to use any particular TI Resource solely for this purpose and subject to the terms of this Notice.

TI's provision of TI Resources does not expand or otherwise alter TI's applicable published warranties or warranty disclaimers for TI products, and no additional obligations or liabilities arise from TI providing such TI Resources. TI reserves the right to make corrections, enhancements, improvements and other changes to its TI Resources. TI has not conducted any testing other than that specifically described in the published documentation for a particular TI Resource.

Designer is authorized to use, copy and modify any individual TI Resource only in connection with the development of applications that include the TI product(s) identified in such TI Resource. NO OTHER LICENSE, EXPRESS OR IMPLIED, BY ESTOPPEL OR OTHERWISE TO ANY OTHER TI INTELLECTUAL PROPERTY RIGHT, AND NO LICENSE TO ANY TECHNOLOGY OR INTELLECTUAL PROPERTY RIGHT OF TI OR ANY THIRD PARTY IS GRANTED HEREIN, including but not limited to any patent right, copyright, mask work right, or other intellectual property right relating to any combination, machine, or process in which TI products or services are used. Information regarding or referencing third-party products or services does not constitute a license to use such products or services, or a warranty or endorsement thereof. Use of TI Resources may require a license from a third party under the patents or other intellectual property of the third party, or a license from TI under the patents or other intellectual property of TI.

TI RESOURCES ARE PROVIDED "AS IS" AND WITH ALL FAULTS. TI DISCLAIMS ALL OTHER WARRANTIES OR REPRESENTATIONS, EXPRESS OR IMPLIED, REGARDING RESOURCES OR USE THEREOF, INCLUDING BUT NOT LIMITED TO ACCURACY OR COMPLETENESS, TITLE, ANY EPIDEMIC FAILURE WARRANTY AND ANY IMPLIED WARRANTIES OF MERCHANTABILITY, FITNESS FOR A PARTICULAR PURPOSE, AND NON-INFRINGEMENT OF ANY THIRD PARTY INTELLECTUAL PROPERTY RIGHTS. TI SHALL NOT BE LIABLE FOR AND SHALL NOT DEFEND OR INDEMNIFY DESIGNER AGAINST ANY CLAIM, INCLUDING BUT NOT LIMITED TO ANY INFRINGEMENT CLAIM THAT RELATES TO OR IS BASED ON ANY COMBINATION OF PRODUCTS EVEN IF DESCRIBED IN TI RESOURCES OR OTHERWISE. IN NO EVENT SHALL TI BE LIABLE FOR ANY ACTUAL, DIRECT, SPECIAL, COLLATERAL, INDIRECT, PUNITIVE, INCIDENTAL, CONSEQUENTIAL OR EXEMPLARY DAMAGES IN CONNECTION WITH OR ARISING OUT OF TI RESOURCES OR USE THEREOF, AND REGARDLESS OF WHETHER TI HAS BEEN ADVISED OF THE POSSIBILITY OF SUCH DAMAGES.

Unless TI has explicitly designated an individual product as meeting the requirements of a particular industry standard (e.g., ISO/TS 16949 and ISO 26262), TI is not responsible for any failure to meet such industry standard requirements.



Where TI specifically promotes products as facilitating functional safety or as compliant with industry functional safety standards, such products are intended to help enable customers to design and create their own applications that meet applicable functional safety standards and requirements. Using products in an application does not by itself establish any safety features in the application. Designers must ensure compliance with safety-related requirements and standards applicable to their applications. Designer may not use any TI products in life-critical medical equipment unless authorized officers of the parties have executed a special contract specifically governing such use. Life-critical medical equipment is medical equipment where failure of such equipment would cause serious bodily injury or death (e.g., life support, pacemakers, defibrillators, heart pumps, neurostimulators, and implantables). Such equipment includes, without limitation, all medical devices identified by the U.S. Food and Drug Administration as Class III devices and equivalent classifications outside the U.S.

TI may expressly designate certain products as completing a particular qualification (e.g., Q100, Military Grade, or Enhanced Product). Designers agree that it has the necessary expertise to select the product with the appropriate qualification designation for their applications and that proper product selection is at Designers' own risk. Designers are solely responsible for compliance with all legal and regulatory requirements in connection with such selection.

Designer will fully indemnify TI and its representatives against any damages, costs, losses, and/or liabilities arising out of Designer's non-compliance with the terms and provisions of this Notice.

## Looking for pricing, stock, or lifecycle information?

Click below to explore more details on WIN SOURCE:

-  [View DS9638CN](#) on WIN SOURCE
-  [Texas Instruments](#) Information

## Optimize Your Supply Chain with WIN SOURCE Solutions

-  Global Sourcing Solution
-  Obsolete Management
-  Cost Control Management
-  Shortage Management
-  Alternative Solution
-  Excess Inventory Management