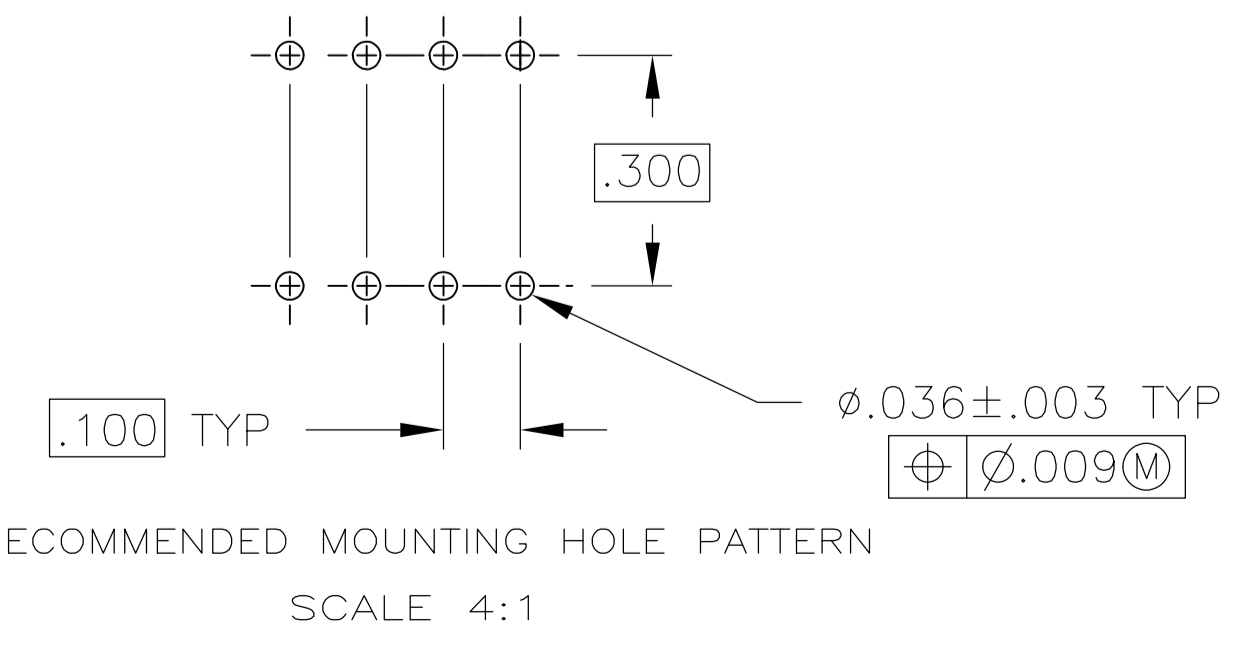
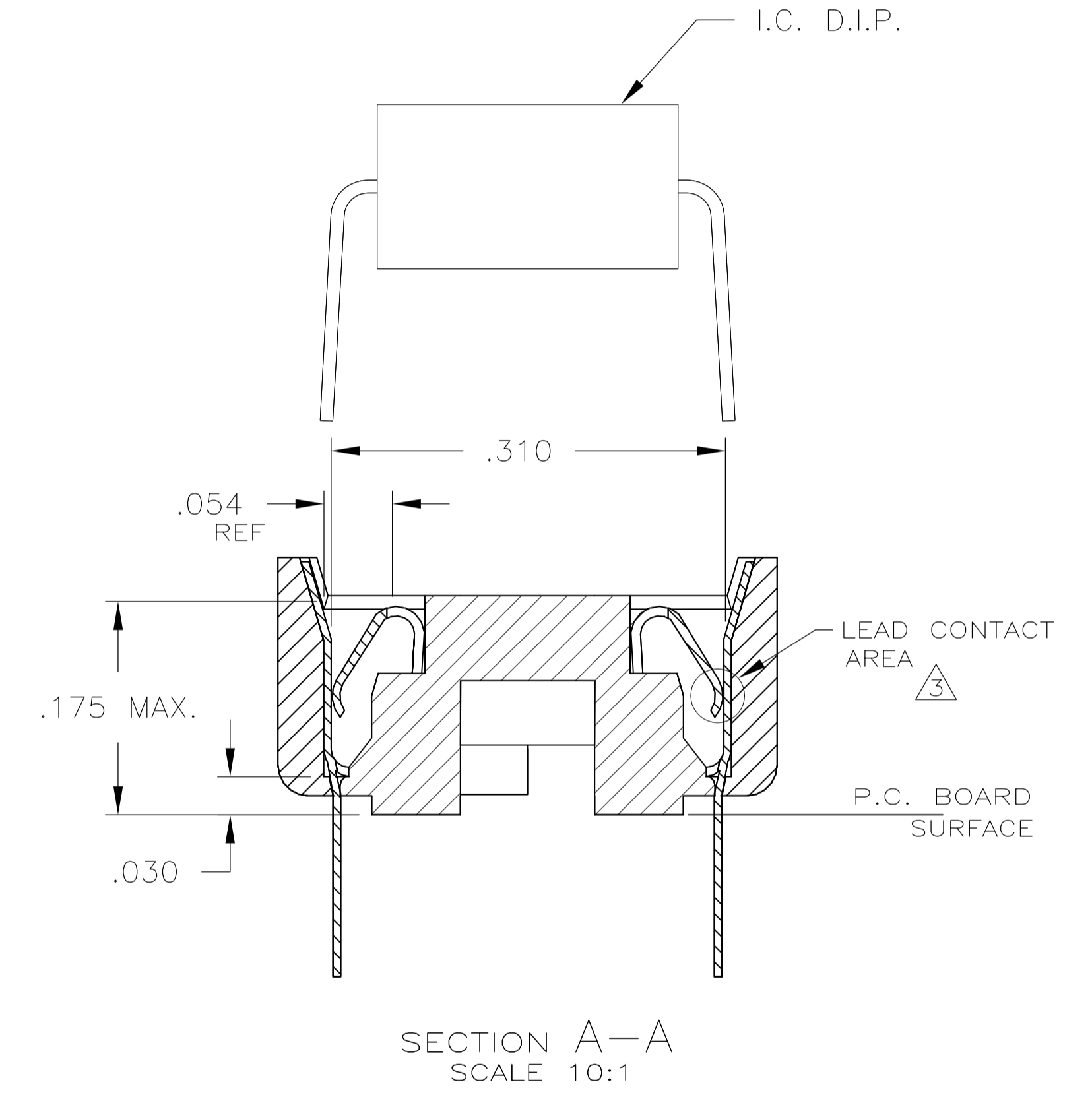
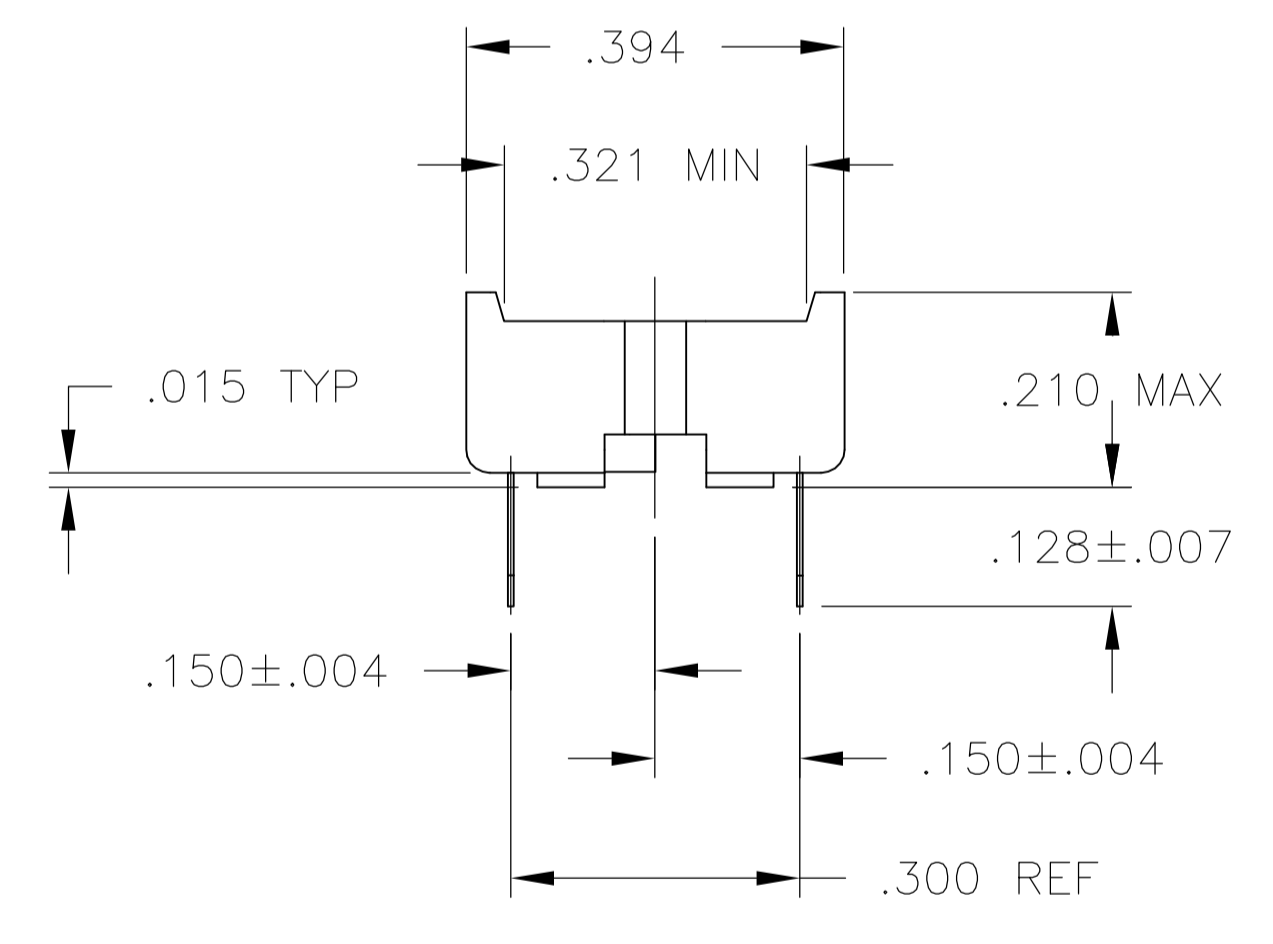
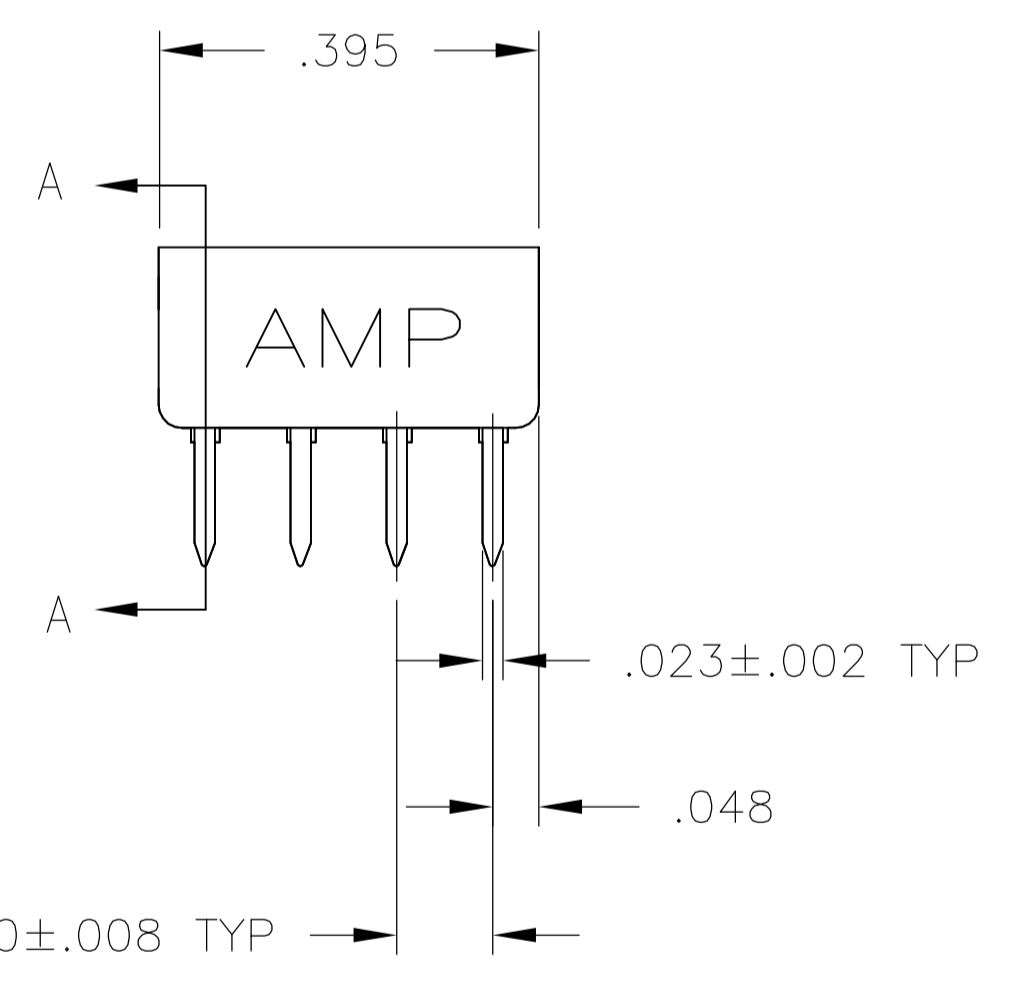
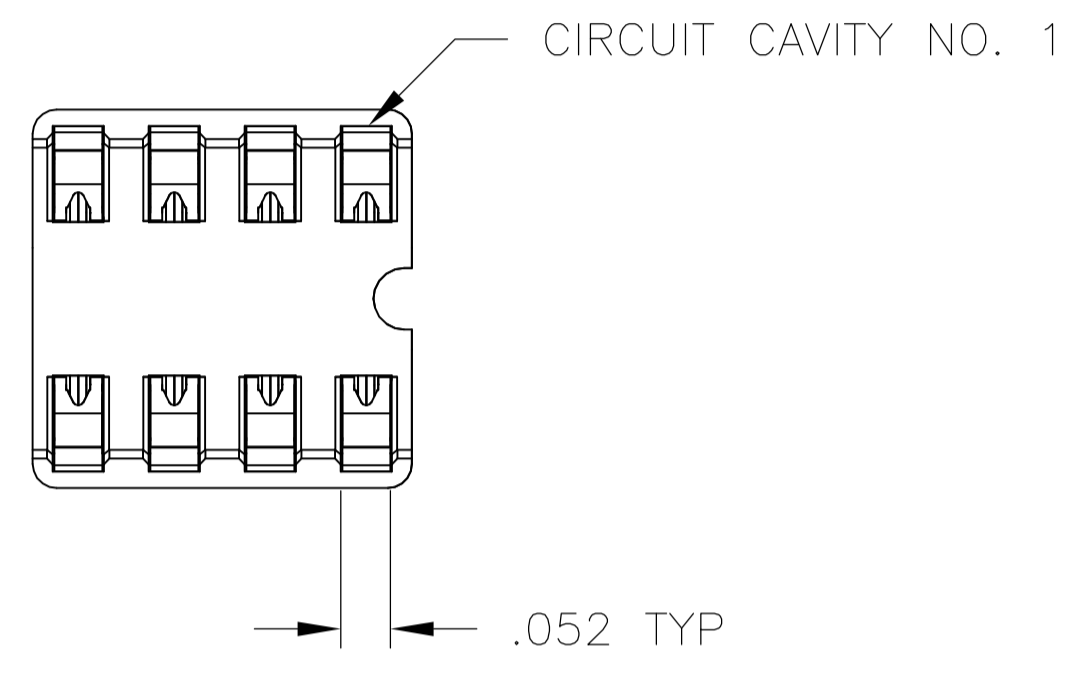




THE DATASHEET OF
2-382462-3



1. RECEPTACLE ACCEPTS A .008-.014 THICK I.C. LEAD.
2. TUBE LOADED.
3. TWO .000030 MIN THK. GOLD STRIPES IN CONTACT AREA WITH TIN-LEAD (93/7) ON CONTACT LEGS, BALANCE OF CONTACT NICKEL PLATED.



OBSOLETE	3	PHOS. BRZ	BROWN GLASS-FILLED PCT	2-382462-4
	TINNED	PHOS. BRZ	BLACK THERMO PLASTIC	2-382462-3
	TINNED	BE.CU.	BLACK THERMO PLASTIC	2-382462-1
	CONTACT FINISH	CONTACT MAT'L	HOUSING MATERIAL	PART NO.
THIS DRAWING IS A CONTROLLED DOCUMENT.		DIN R BROWN 04JAN01	Tyco Electronics Corporation	
DIMENSIONS: INCHES		CHK H WYNKOOP 17NOV00	Harrisburg, PA 17105	
TOLERANCES UNLESS OTHERWISE SPECIFIED:		APVD H WYNKOOP 17NOV00	NAME	
0. PLC ± -		PRODUCT SPEC		
1. PLC ± -		108-1066		
2. PLC ± -		APPLICATION SPEC		
3. PLC ± .005		114-1052		
4. PLC ± -		SIZE	CAGE CODE	DRAWING NO
ANGLES ± -		WEIGHT	A1 00779	C=382462
MATERIAL SEE TABLE	FINISH SEE TABLE	RESTRICTED TO	CUSTOMER DRAWING	
		SCALE	5:1	SHEET 1 OF 1 REV K1

Looking for pricing, stock, or lifecycle information?

Click below to explore more details on WIN SOURCE:

 [View 2-382462-3 on WIN SOURCE](#)

 [TE Connectivity](#) Information

Optimize Your Supply Chain with WIN SOURCE Solutions

-  Global Sourcing Solution
-  Obsolete Management
-  Cost Control Management
-  Shortage Management
-  Alternative Solution
-  Excess Inventory Management