



**THE DATASHEET OF  
PDW05758**



# 6-18GHz 2-way Wilkinson Power Divider

**PDW05758**

## DESCRIPTION

DLI's 6-18GHz 2-way power divider / combiner offers unmatched size and performance in a surface mount configuration. This power divider utilizes DLI's low loss temperature stable materials which offer small size and minimal performance variation over temperature.

## FEATURES

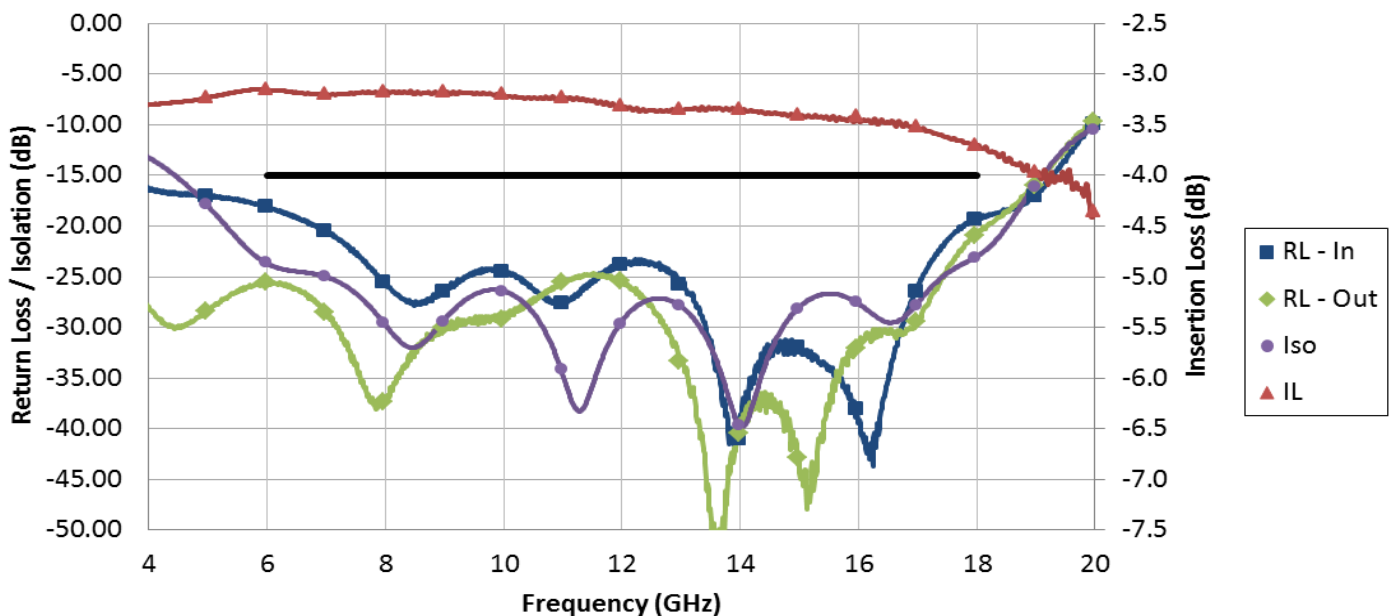
- Small Size
- Frequency Stable over Temperature
- Solder Surface Mount Package
- Excellent Repeatability
- Moisture Sensitivity Level: MSL 1
- Operating & Storage Temp: -55°C to +125°C
- Characteristic Impedance: 50Ω

## SPECIFICATIONS\*

Parameter	Frequency Range (GHz)	Min	Typ.	Max	
Nominal Power Splitting (dB)	6 - 18		3.0		
Nominal Phase Shift (Deg)			0.0		
Amplitude Balance (dB)					± 0.025
Phase Balance (Deg)					± 3.0
Excess Insertion Loss (dB)				0.7	
Return Loss (dB)				20	
Isolation (dB)				20	
Power (W)					TBD

\*Electrical specifications based on typical mounted performance at room temperature. Insertion loss shall vary ±0.5dB over temperature.

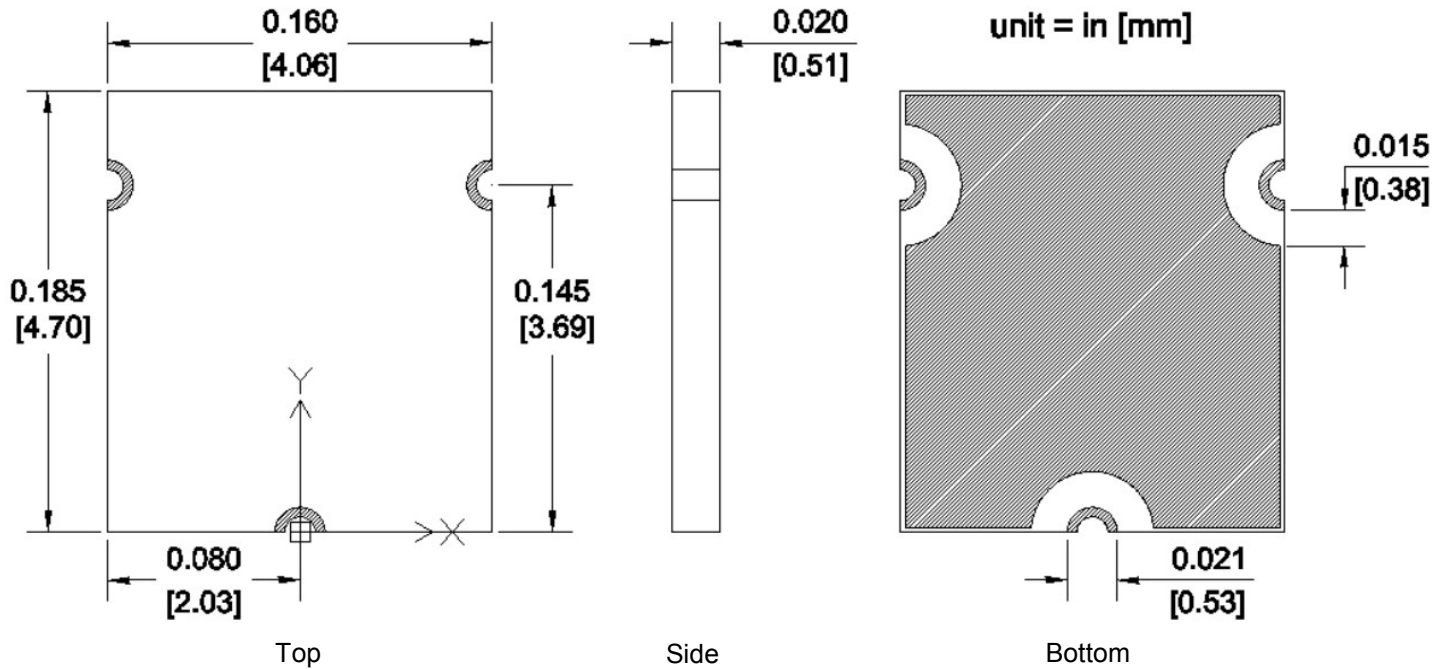
## Typical Measured Performance



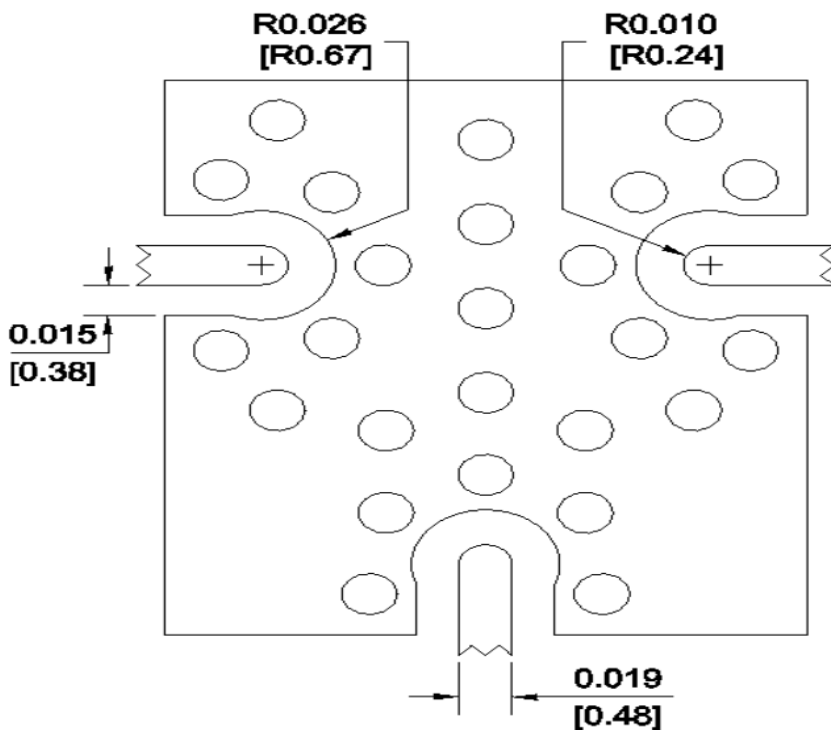
# 6-18GHz 2-way Wilkinson Power Divider

**PDW05758**

## Physical Dimensions



## Recommended PCB Layout





- 50Ω trace dimensions are application specific.
- Ensure adequate grounding beneath the part.



## Looking for pricing, stock, or lifecycle information?

Click below to explore more details on WIN SOURCE:

-  [View PDW05758 on WIN SOURCE](#)
-  [Knowles Dielectric Labs Information](#)

## Optimize Your Supply Chain with WIN SOURCE Solutions

-  Global Sourcing Solution
-  Obsolete Management
-  Cost Control Management
-  Shortage Management
-  Alternative Solution
-  Excess Inventory Management