



**THE DATASHEET OF
749811120AR**



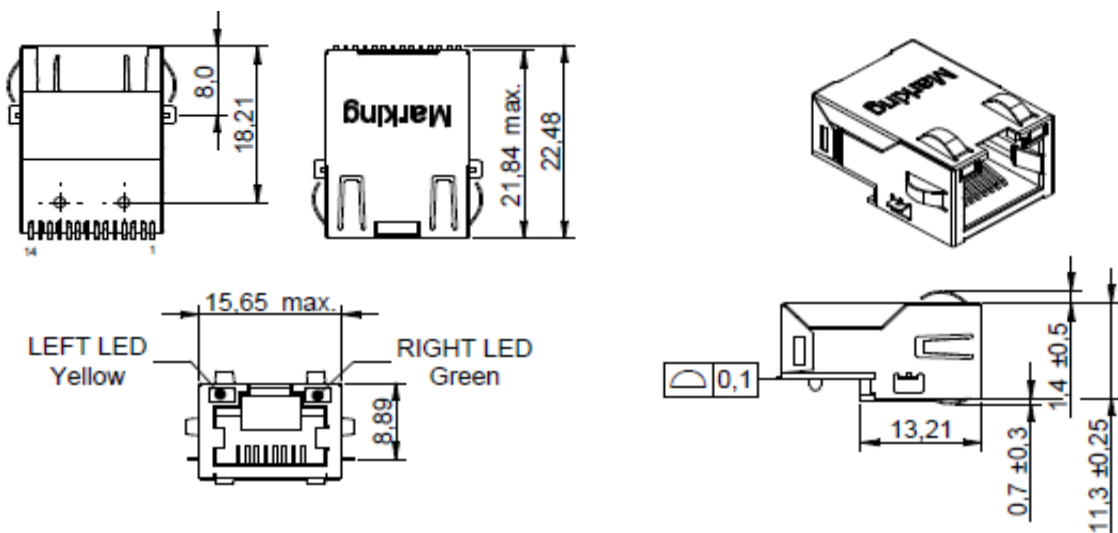
Spezifikation für Freigabe / specification for release

Kunde / customer :
 Artikelnummer / part number : **7498111120AR**
 Bezeichnung : **LAN-Übertrager WE-RJ45LAN 1000BaseT**
 description : **LAN-Transformer WE-RJ45LAN 1000BaseT**

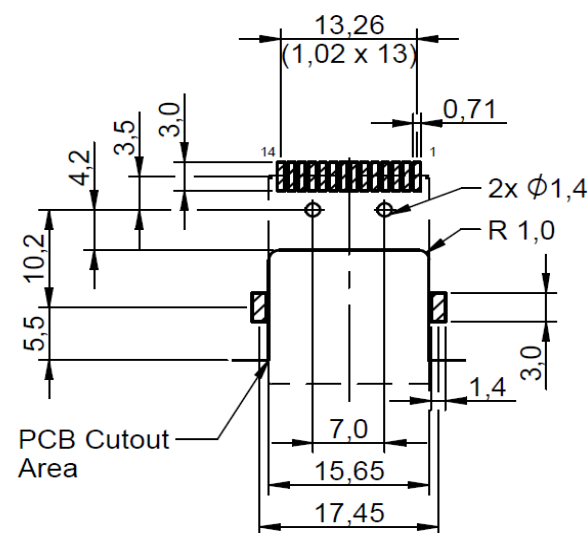


DATUM / DATE : 2019-01-08

A Mechanische Abmessungen / dimensions :

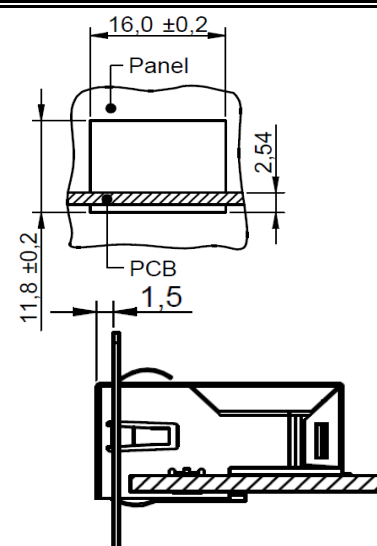


B Lötpad / soldering spec. :



C Elektrische Eigenschaften / electrical properties :

Eigenschaften / properties	Testbedingungen / test conditions		Wert / value	Einheit / unit	tol.
Induktivität / Inductance	100kHz / 100mV @ 8mA DC-Bias	OCL	350	µH	min.
Übersetzungsverhältnis / Turns ratio	100kHz / 100mV	TR	1 : 1	Tx	
			1 : 1	Rx	
Insertion Loss	1-100MHz	IL	-1,0	dB	max.
Return Loss	1-30MHz @ 100Ω	RL	-18	dB	min.
	30-60 MHz @ 100Ω		-15		
	60-80MHz @ 100Ω		-12		
	80-100MHz @ 100Ω		-10		
Common Mode Rejection	1-30MHz	CMRR	-30	dB	min.
	30MHz-100MHz		-20		
Crosstalk	1-30MHz	CT	-37	dB	min.
	30MHz-60MHz		-32		
	60MHz-100MHz		-27		



D Prüfgeräte / test equipment :

HP4395A

E Testbedingungen / test conditions :

Luftfeuchtigkeit / humidity: 33%
 Umgebungstemperatur / temperature: +25°C

F Werkstoffe & Zulassungen / material & approvals :

Basismaterial / base material: Ferrit/ ferrite
 Draht / wire: UEW/Y 180°C
 Kontaktmaterial/ contact plating: 100% tin w. nickel underplating
 30µ"gold plating on contact area
 Gehäuse / housing: Thermoplastic UL 94V-0
 LED: 1,8-2,5V / 20mA
 Shield: 50µ" nickel
 over 0.008" cooper alloy

G Eigenschaften / general specifications :

Betriebstemp. / operating temperature: -40°C - + 85°C
 Hochspannungsprüfung / Hipot test: 2250Vdc 1min.
 Geeignet für 1000Base-TX gemäß IEEE 802.3ab /
 Compliant with IEEE 802.3ab for 1000Base-TX-Applications
 Auto MDIX fähig / Auto MDIX capable

Freigabe erteilt / general release:	Kunde / customer		
.....		
Datum / date	Unterschrift / signature		
	Würth Elektronik		
.....	Mle	Revision 01 2019-01-08
Geprüft / checked	Kontrolliert / approved	Jliu	Revision 00 2015-08-06
		Name	Änderung / modification Datum / date

Würth Elektronik eiSos GmbH & Co.KG

D-74638 Waldenburg · Max-Eyth-Straße 1 - 3 · Germany · Telefon (+49) (0) 7942 - 945 - 0 · Telefax (+49) (0) 7942 - 945 - 400
 http://www.we-online.com

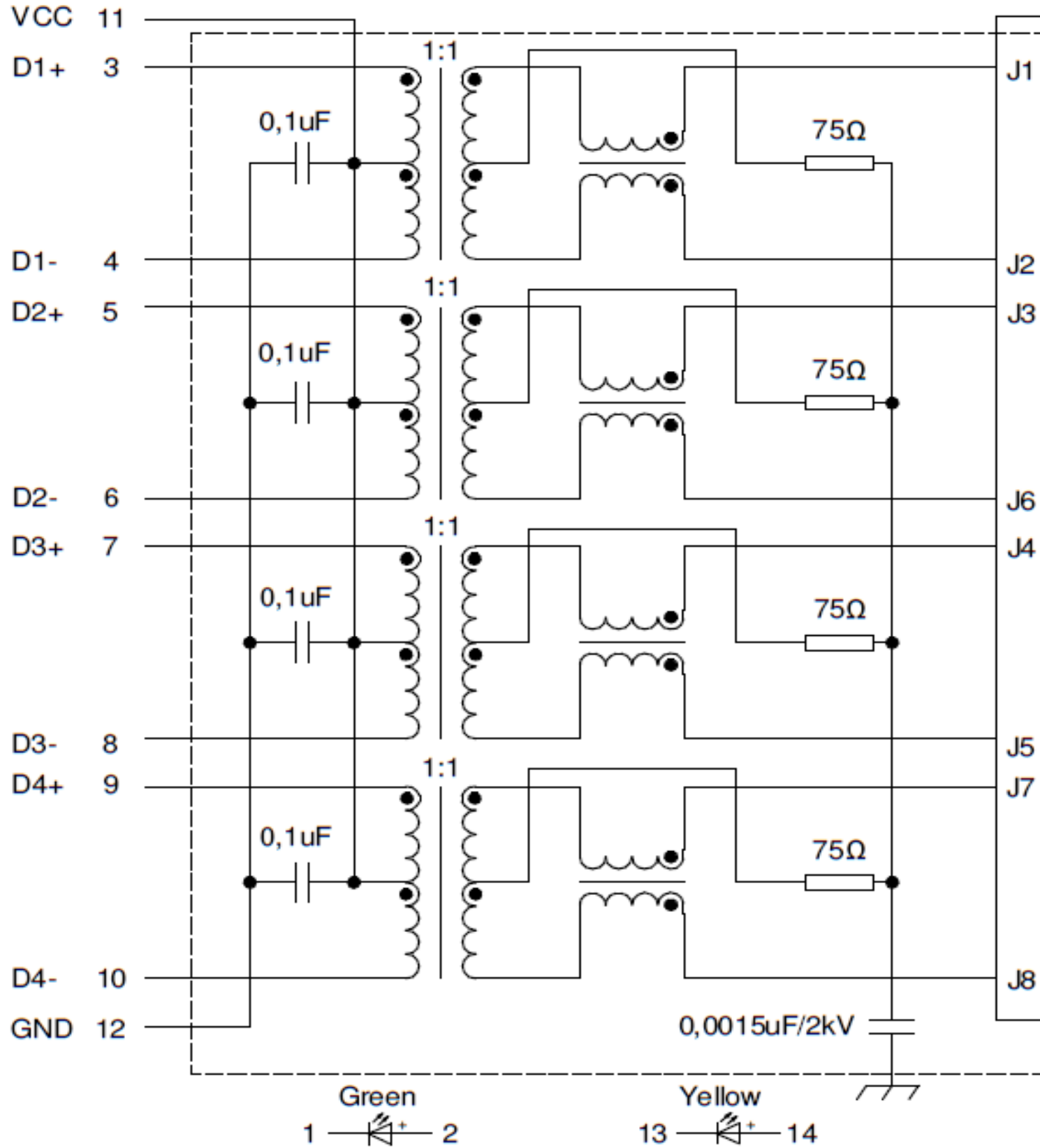
Spezifikation für Freigabe / specification for release

Kunde / customer :
 Artikelnummer / part number : **7498111120AR**
 Bezeichnung : **LAN-Übertrager WE-RJ45LAN 1000BaseT**
 description : **LAN-Transformer WE-RJ45LAN 1000BaseT**



DATUM / DATE : 2019-01-08

H Schaltbild / Schematics :



Freigabe erteilt / general release:	Kunde / customer		
.....		
Datum / date	Unterschrift / signature		
	Würth Elektronik		
.....	Mle	Revision 01
Geprüft / checked	Kontrolliert / approved	Jliu	Revision 00
		Name	Änderung / modification
			Datum / date

Würth Elektronik eiSos GmbH & Co.KG

D-74638 Waldenburg · Max-Eyth-Straße 1 - 3 · Germany · Telefon (+49) (0) 7942 - 945 - 0 · Telefax (+49) (0) 7942 - 945 - 400
<http://www.we-online.com>

Spezifikation für Freigabe / specification for release

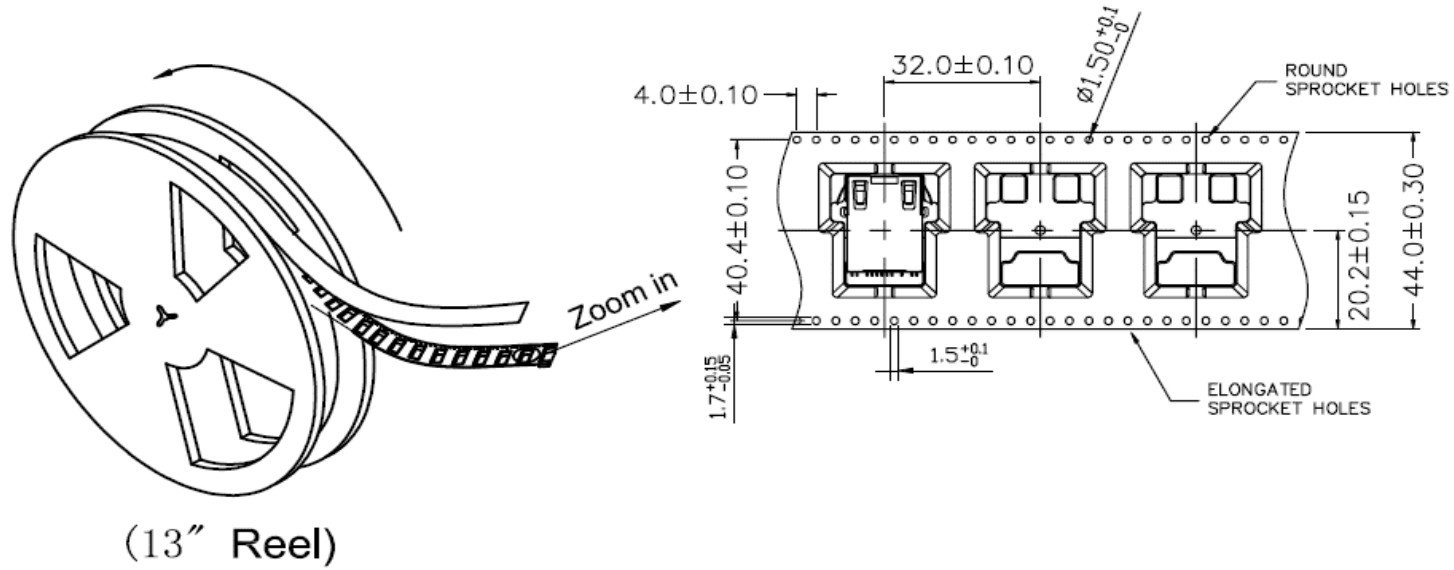
Kunde / customer :
 Artikelnummer / part number : **7498111120AR**
 Bezeichnung : **LAN-Übertrager WE-RJ45LAN 1000BaseT**
 description : **LAN-Transformer WE-RJ45LAN 1000BaseT**



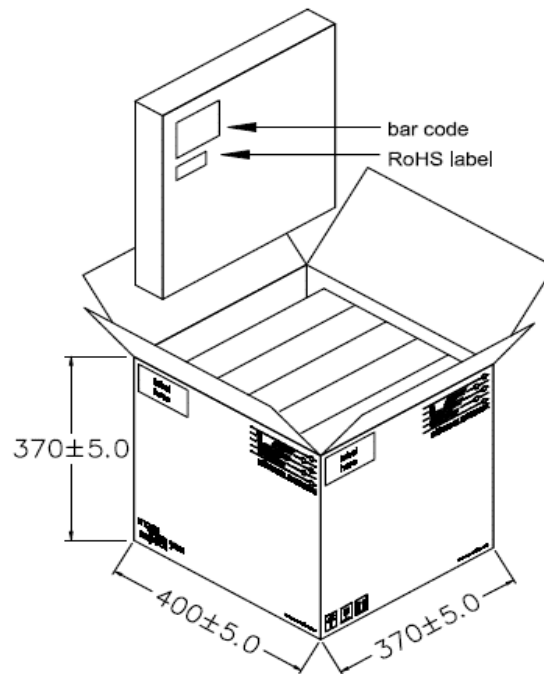
DATUM / DATE : 2019-01-08

I Verpackungsspezifikation / package specification :

Tape & Reel packaging:



Carton:



Packing Quantity:

reel = 120 pcs
 carton = 720 pcs

dimensions in mm

Freigabe erteilt / general release:	Kunde / customer		
.....		
Datum / date	Unterschrift / signature		
	Würth Elektronik		
.....	Mle	Revision 01
Geprüft / checked	Kontrolliert / approved	Jliu	Revision 00
		Name	Änderung / modification
			Datum / date

This electronic component has been designed and developed for usage in general electronic equipment. Before incorporating this component into any equipment where higher safety and reliability is especially required or if there is the possibility of direct damage or injury to human body, for example in the range of aerospace, aviation, nuclear control, submarine, transportation, (automotive control, train control, ship control), transportation signal, disaster prevention, medical, public information network etc, Würth Elektronik eiSos GmbH must be informed before the design-in stage. In addition, sufficient reliability evaluation checks for safety must be performed on every electronic component which is used in electrical circuits that require high safety and reliability functions or performance.

Würth Elektronik eiSos GmbH & Co.KG

D-74638 Waldenburg · Max-Eyth-Straße 1 - 3 · Germany · Telefon (+49) (0) 7942 - 945 - 0 · Telefax (+49) (0) 7942 - 945 - 400
<http://www.we-online.com>

Looking for pricing, stock, or lifecycle information?

Click below to explore more details on WIN SOURCE:

[View 7498111120AR on WIN SOURCE](#)

[Wurth Electronics Inc Information](#)

Optimize Your Supply Chain with WIN SOURCE Solutions

- ✓ Global Sourcing Solution
- ✓ Obsolete Management
- ✓ Cost Control Management
- ✓ Shortage Management
- ✓ Alternative Solution
- ✓ Excess Inventory Management