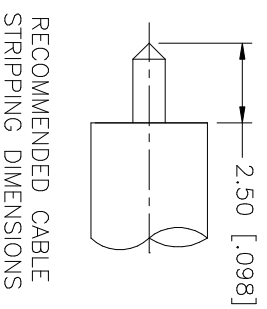
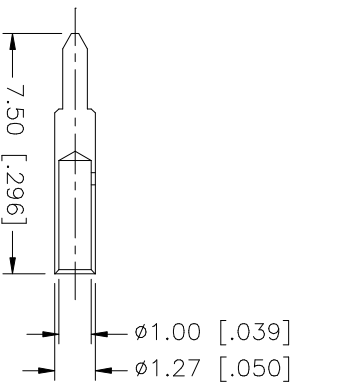
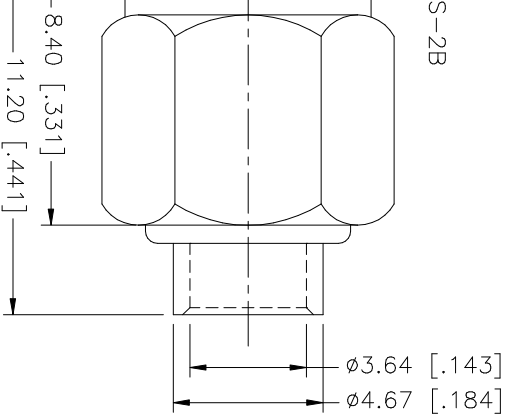




THE DATASHEET OF
132102



| REV. | DATE | DESCRIPTION |
|------|----------|-----------------------|
| C | 04/31/03 | UPDATE DRAWING FORMAT |




| MATERIAL | | FINISH | QTY | DO NOT SCALE DRAWING | APPROVALS | | DATE | PART DESCRIPTION SMA SEMI-RIGID PLUG (FOR .141" SEMI-RIGID CABLE) 132102 | PART NO. 132102 | DWG. NO. 132102.DWG | REV. C | SIZE A | SCALE NA |
|--|---------|--------|-----|---|-----------|--------|----------|---|--------------------|------------------------|-----------|-----------|-------------|
| UNLESS OTHERWISE SPECIFIED DIMENSIONS ARE IN MILLIMETERS, DIMENSIONS IN [] ARE IN INCHES AND FOR CUSTOMER REFERENCE ONLY. | | | | | | | | | | | | | |
| UNLESS OTHERWISE SPECIFIED TOLERANCES FOR MILLIMETERS ARE: | | | | | | | | | | | | | |
| UNLESS OTHERWISE SPECIFIED TOLERANCES FOR INCHES ARE: | | | | | | | | | | | | | |
| SILICONE | RED | | 1 | 0.5 - 8mm ± 0.20mm | DRAWN | G.R.S. | 04/31/03 | | | | | | |
| R. COPPER | NATURAL | | 1 | 8 - 30mm ± 0.40mm | CHECKED | | | | | | | | |
| BRASS | GOLD | | 1 | 30 - 120mm ± 0.50mm | ISSUED | | | | | | | | |
| TEFLON | NATURAL | | 1 | UNLESS OTHERWISE SPECIFIED TOLERANCES FOR INCHES ARE: | SHEET | 1 OF 1 | | | | | | | |
| BRASS | GOLD | | 1 | .020 - .315 = ± 0.007" | | | | | | | | | |
| | | | | .315 - 1.180 = ± 0.015" | | | | | | | | | |
| | | | | 1.180 - 4.724 = ± 0.020" | | | | | | | | | |

Amphenol Connex

Looking for pricing, stock, or lifecycle information?

Click below to explore more details on WIN SOURCE:

 [View 132102 on WIN SOURCE](#)

 [Amphenol Information](#)

Optimize Your Supply Chain with WIN SOURCE Solutions

-  Global Sourcing Solution
-  Obsolete Management
-  Cost Control Management
-  Shortage Management
-  Alternative Solution
-  Excess Inventory Management