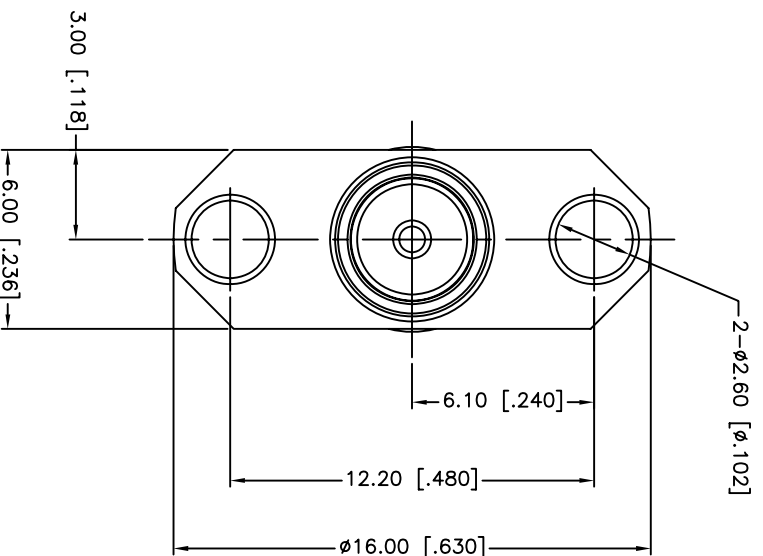
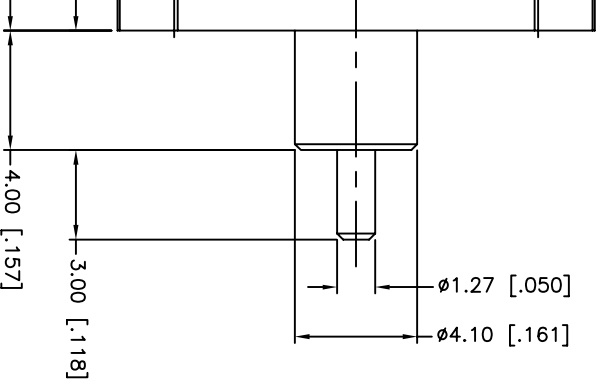




**THE DATASHEET OF**  
**132147-48**



REV.	DATE	ECR NO.	DESCRIPTION
NC	03/26/10	XXXXXX	INITIAL RELEASE
A	04/09/10	2036	THE INSULATION LENGTH AND THE CONTACT LENGTH CHANGED TO .157"/.118"



UNLESS OTHERWISE SPECIFIED DIMENSIONS ARE IN MILLIMETERS DIMENSIONS IN PARENTHESIS ARE IN INCHES AND FOR CUSTOMER REFERENCE ONLY.		UNLESS OTHERWISE SPECIFIED TOLERANCES FOR MILLIMETERS ARE:		UNLESS OTHERWISE SPECIFIED TOLERANCES FOR INCHES ARE:	
UD	1	0.5 - 8mm	± 0.20mm	0.020 - .315	± 0.007"
URAL	1	8 - 30mm	± 0.40mm	.315 - 1.180	± 0.015"
UD	1	30 - 120mm	± 0.50mm	1.180 - 4.724	± 0.020"
URAL	1	UNLESS OTHERWISE SPECIFIED TOLERANCES FOR INCHES ARE:			
UD	1	0.020 - .315 = ± 0.007"			
UD	1	.315 - 1.180 = ± 0.015"			
UD	1	1.180 - 4.724 = ± 0.020"			
QTY		DO NOT SCALE DRAWING			

APPROVALS	DATE
DRAWN M.ZHANG	04/09/10
CHECKED	
ISSUED	
SHEET 1 OF 1	

APPROVALS	DATE
DRAWN M.ZHANG	04/09/10
CHECKED	
ISSUED	
SHEET 1 OF 1	

DESCRIPTION	DATE
2 HOLE, EXTENDED,TEFLON/CONTACT .157"/.118"	

REV. A	SIZE A	SCALE NA

**Amphenol Connex**

SMA PANEL RECEPT. JACK  
2 HOLE, EXTENDED,TEFLON/CONTACT .157"/.118"

132147-48

APPROVALS DATE  
DRAWN M.ZHANG 04/09/10  
CHECKED  
ISSUED  
SHEET 1 OF 1

PART DESCRIPTION  
SMA PANEL RECEPT. JACK  
2 HOLE, EXTENDED,TEFLON/CONTACT .157"/.118"

DWG. NO. 132147-48.DWG



REV. A

SIZE A

SCALE NA

## Looking for pricing, stock, or lifecycle information?

Click below to explore more details on WIN SOURCE:

-  [View 132147-48 on WIN SOURCE](#)
-  [Amphenol Information](#)

## Optimize Your Supply Chain with WIN SOURCE Solutions

-  Global Sourcing Solution
-  Obsolete Management
-  Cost Control Management
-  Shortage Management
-  Alternative Solution
-  Excess Inventory Management