



**THE DATASHEET OF
61125-050CALF**

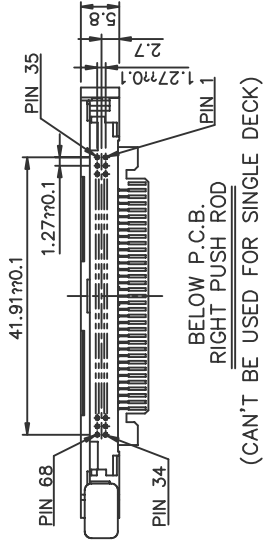
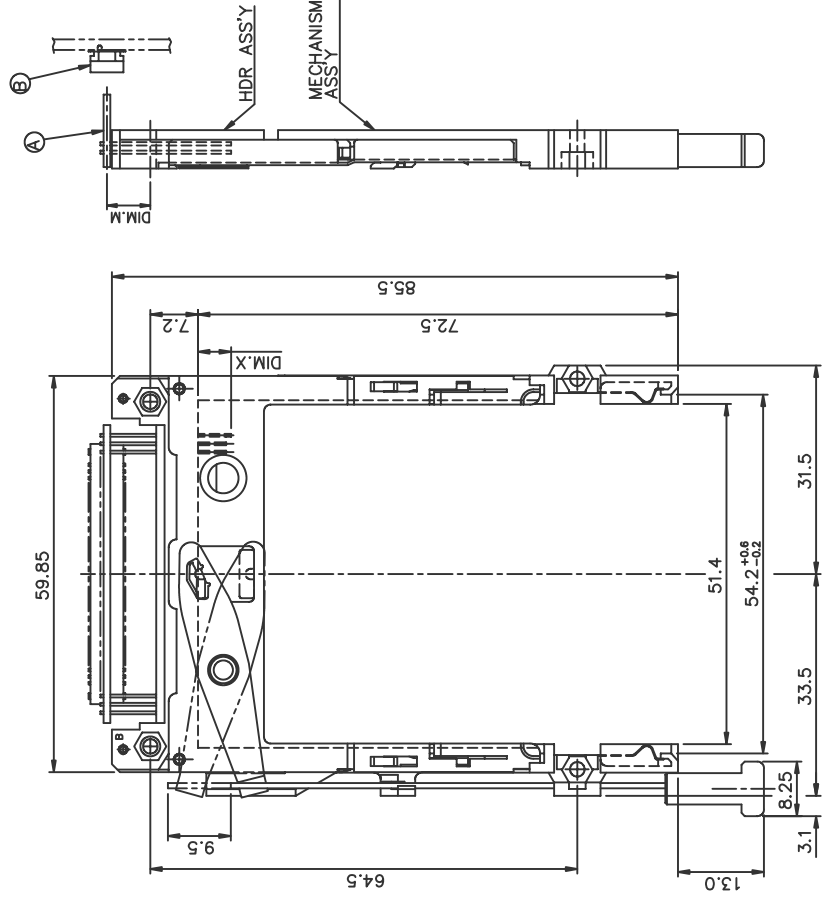


1 | 2 | 3 | 4

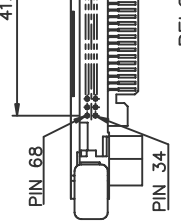
| PRODUCT NO. | DIM.M |
|---------------------|-------|
| 61125-505CA/505CALF | 10.0 |
| 61125-525CA/525CALF | 6.55 |
| 61125-545CA/545CALF | 6.55 |
| 61125-555CA/555CALF | 6.55 |

| PRODUCT NO. | DIM.M | DIM.S |
|---------------------|-------|-------|
| 61125-520CA/520CALF | -0.3 | 13.0 |
| 61125-540CA/540CALF | -0.3 | |
| 61125-550CA/550CALF | -0.3 | |
| 61125-520DA/520DALF | -0.3 | 15.6 |
| 61125-520FA/520FALF | -0.3 | 21.0 |

Tous droits strictement réservés. Reproduction ou communication à des tiers interdite sans autorisation écrite du propriétaire.
 Property of e BERG ELECTRONICS.
 Droits de reproduction BERG ELECTRONICS by



All rights strictly reserved. Reproduction or issue to third parties in any form without written authority from the proprietor.
 Property of e BERG ELECTRONICS.
 Copyright BERG ELECTRONICS by



BELC
RIGHT
(CAN BE USED

| mat'l code | tolerance | other |
|---------------------|-----------|----------|
| rev. ecn no. dr | date | linea |
| J | | |
| | | angle |
| | | dr |
| | | engr. uc |
| | | chr. uc |
| | | appd. j |
| sheet | revision | |
| index | sheet | |

1 | 2 | 3

PDM: Rev:1

Looking for pricing, stock, or lifecycle information?

Click below to explore more details on WIN SOURCE:

- [View 61125-050CALF on WIN SOURCE](#)
- [Amphenol FCI Information](#)

Optimize Your Supply Chain with WIN SOURCE Solutions

- ✓ Global Sourcing Solution
- ✓ Obsolete Management
- ✓ Cost Control Management
- ✓ Shortage Management
- ✓ Alternative Solution
- ✓ Excess Inventory Management